



US00D597015S

(12) **United States Design Patent**  
**Juergens et al.**

(10) **Patent No.:** **US D597,015 S**  
(45) **Date of Patent:** **\*\* Jul. 28, 2009**

(54) **WHEEL OR WHEEL COVER**

(75) Inventors: **Dirk Juergens**, Munich (DE); **Rainer Mueller**, Munich (DE)

(73) Assignee: **Bayerische Motoren Werke Aktiengesellschaft**, Munich (DE)

(\*\*) Term: **14 Years**

(21) Appl. No.: **29/329,536**

(22) Filed: **Dec. 17, 2008**

(30) **Foreign Application Priority Data**

Jun. 18, 2008 (DE) ..... 402008002982

(51) **LOC (9) Cl.** ..... **12-16**

(52) **U.S. Cl.** ..... **D12/211**

(58) **Field of Classification Search** ..... D12/204-213;  
301/37.101, 64.101, 65, 64.201  
See application file for complete search history.

(56) **References Cited**

**U.S. PATENT DOCUMENTS**

D402,251 S	*	12/1998	Timm	.....	D12/211
D405,749 S	*	2/1999	Kulla	.....	D12/211
D416,849 S		11/1999	Weidhase		
D432,974 S	*	10/2000	Jablonski	.....	D12/211
D472,865 S		4/2003	Wechner		
D488,420 S	*	4/2004	Murkett et al.	.....	D12/209
D493,404 S	*	7/2004	Baum	.....	D12/211
D504,097 S	*	4/2005	Markefka	.....	D12/209
D521,438 S	*	5/2006	Nordmann	.....	D12/211
D526,610 S	*	8/2006	Muzzarelli	.....	D12/211
D528,061 S	*	9/2006	Saridakis et al.	.....	D12/211
D530,252 S	*	10/2006	Gabath	.....	D12/209

D537,767 S	*	3/2007	Pfeiffer	.....	D12/211
D540,239 S	*	4/2007	Pfeiffer	.....	D12/211
D540,240 S	*	4/2007	Kountouras	.....	D12/211
D542,728 S	*	5/2007	Ichinose	.....	D12/211
D558,118 S		12/2007	Hueller		
D567,165 S	*	4/2008	Truebsbach	.....	D12/209
D567,167 S	*	4/2008	Forster	.....	D12/211
D581,851 S	*	12/2008	Scheu	.....	D12/211
D583,742 S	*	12/2008	Juergens	.....	D12/211

**FOREIGN PATENT DOCUMENTS**

EM 000010442-0002 7/2003

\* cited by examiner

*Primary Examiner*—Cathron C Brooks

*Assistant Examiner*—Austin Murphy

(74) *Attorney, Agent, or Firm*—Crowell & Moring LLP

(57) **CLAIM**

The ornamental design for a wheel or wheel cover, as shown and described.

**DESCRIPTION**

This application is related to the following co-pending applications:

Application Ser. No. 29/287,331, filed Jul. 24, 2007; and

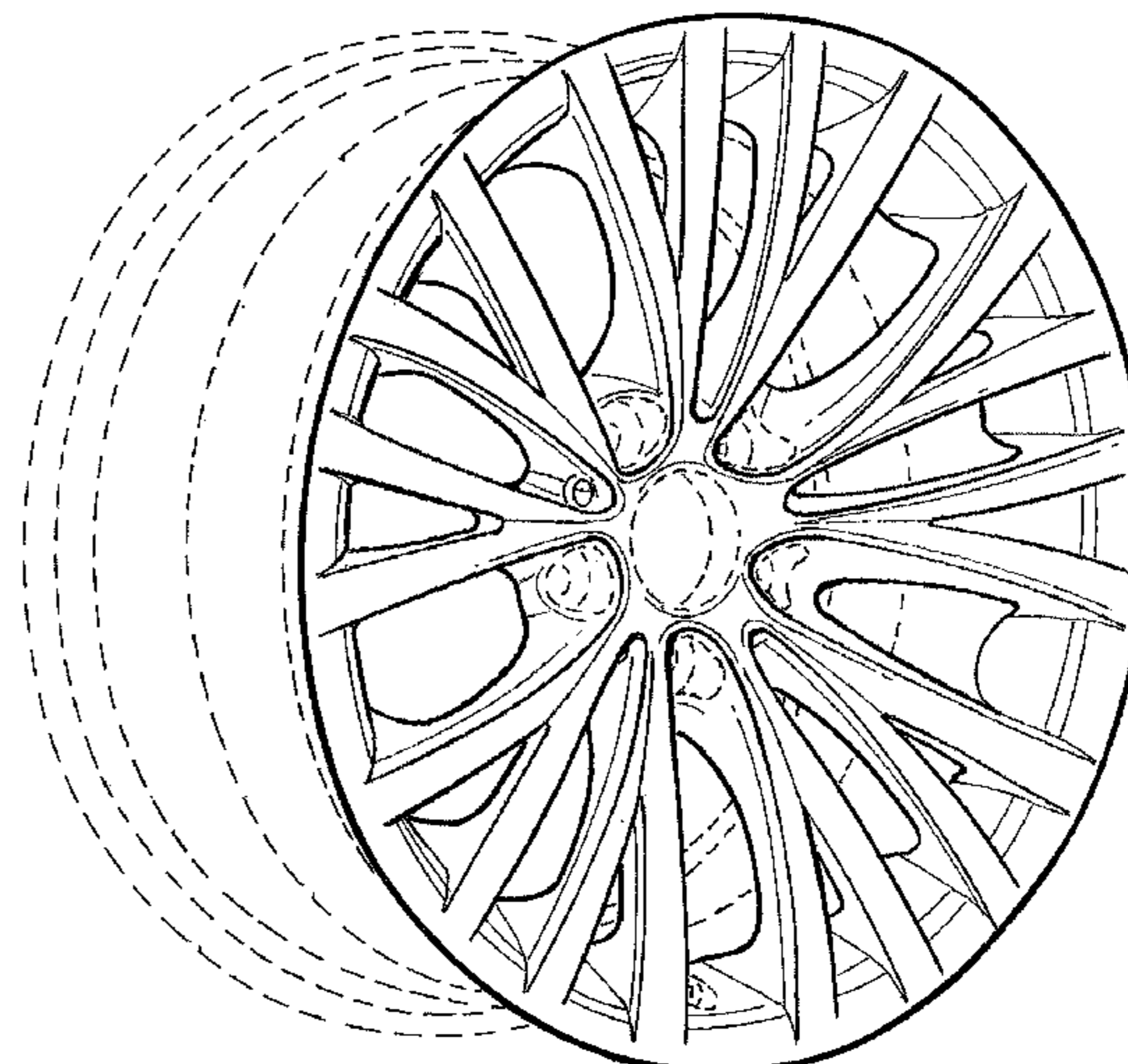
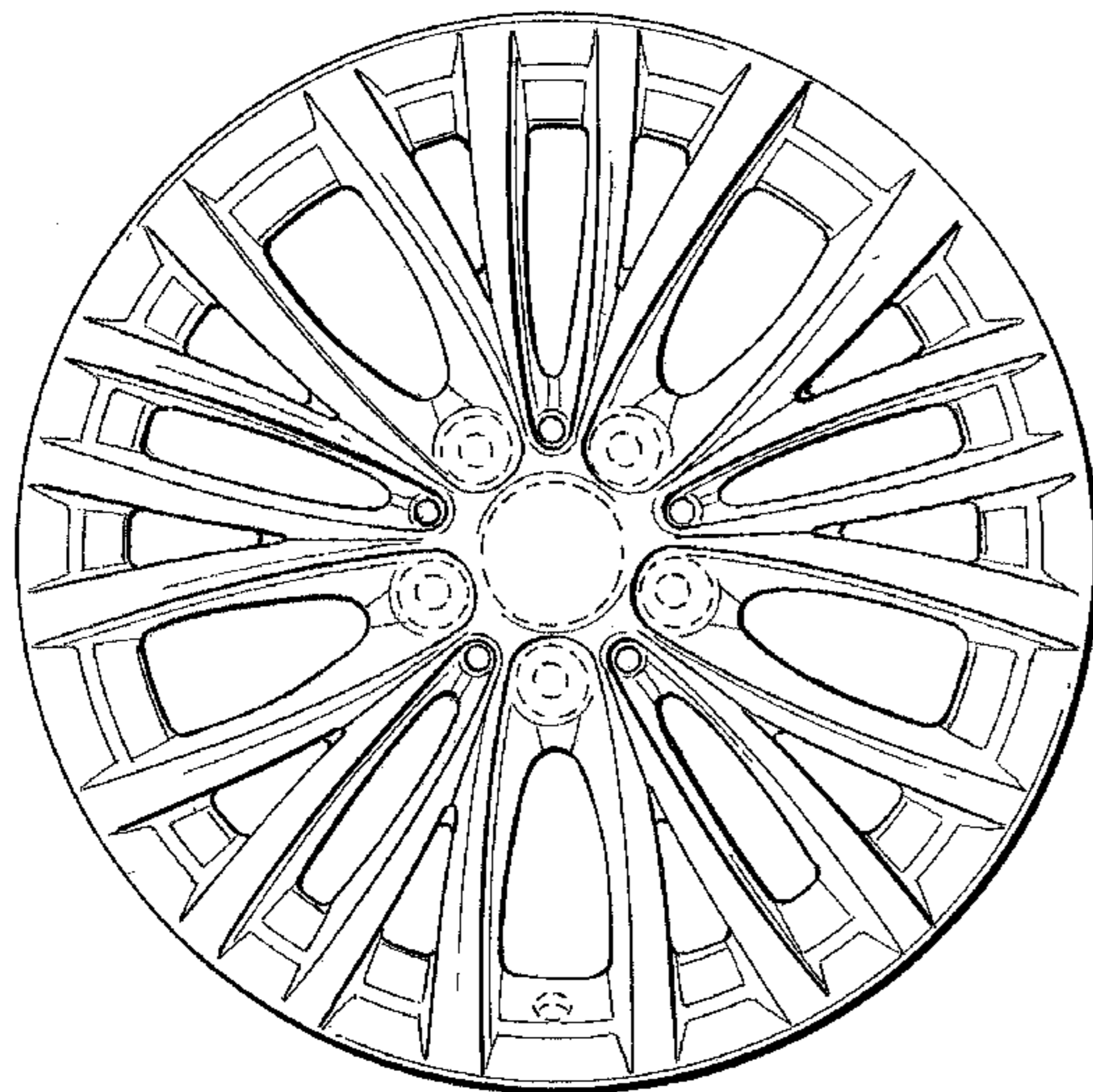
Application Ser. No. 29/287,172, filed Jul. 6, 2007.

FIG. 1 is a front view of a wheel or wheel cover according to our design; and,

FIG. 2 is a perspective view thereof.

The broken lines are for illustrative purposes only and form no part of the claimed design.

**1 Claim, 1 Drawing Sheet**



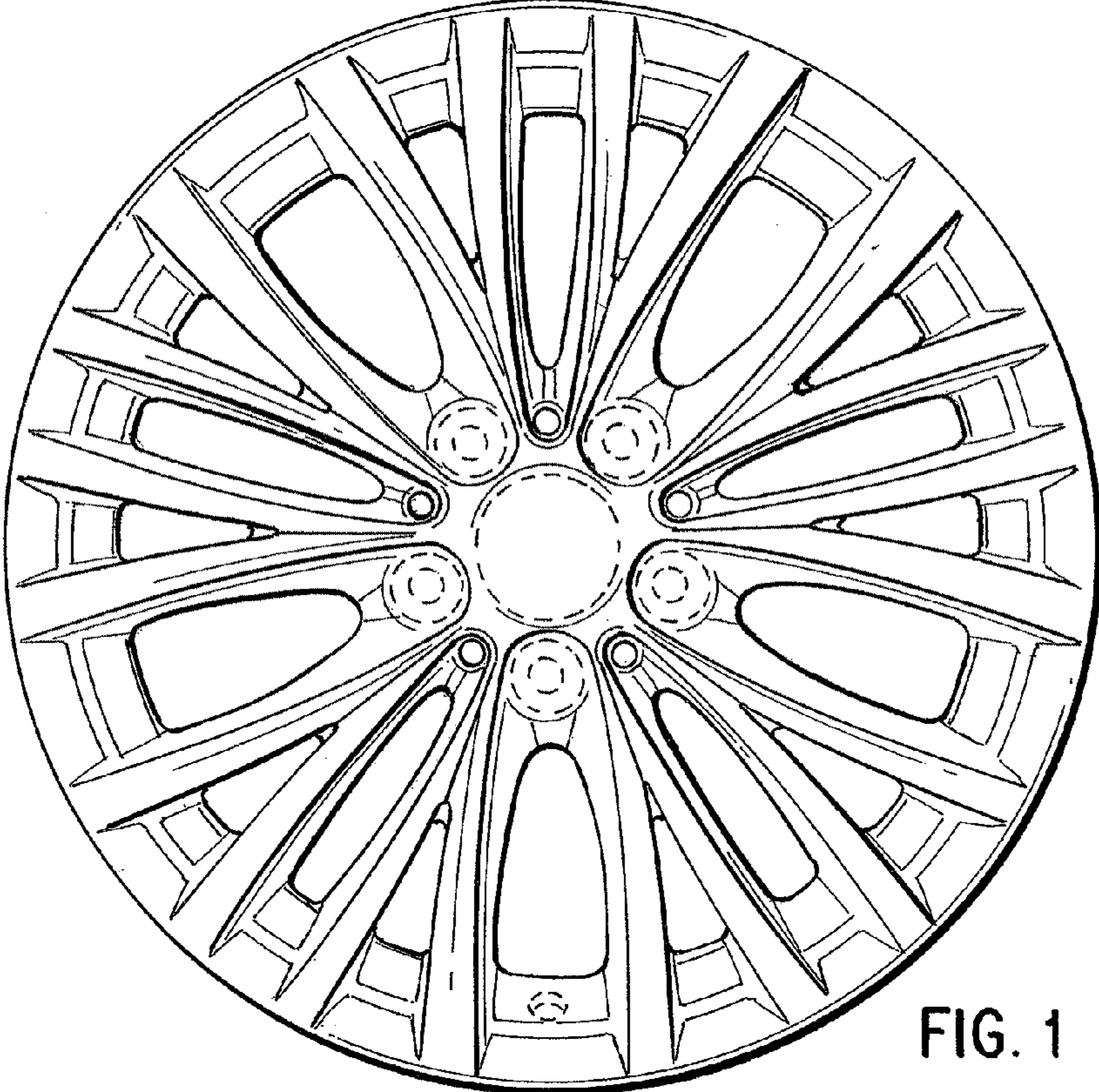


FIG. 1

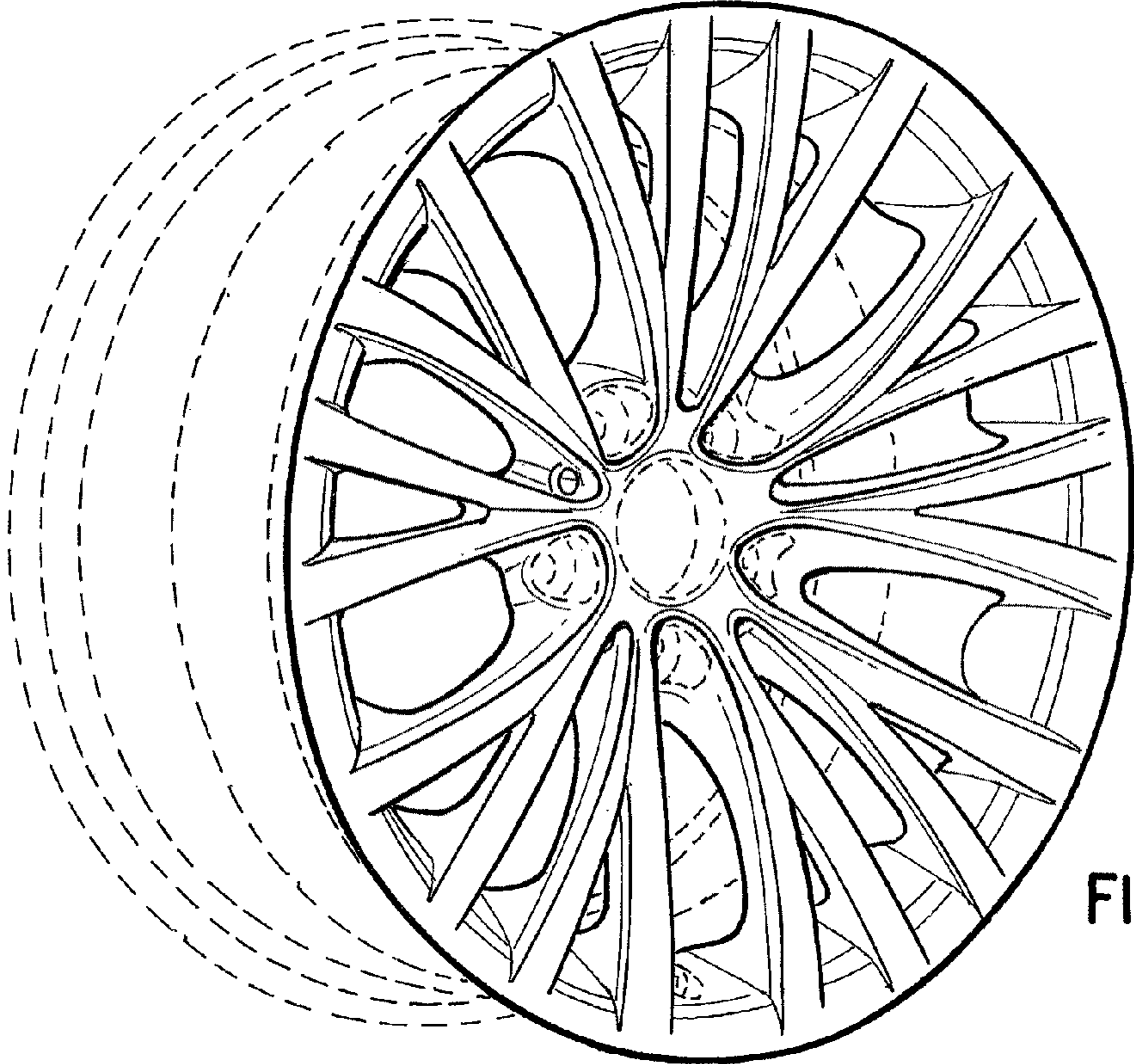


FIG. 2