



US00D597014S

(12) **United States Design Patent**
Nissl

(10) **Patent No.:** **US D597,014 S**
(45) **Date of Patent:** **** Jul. 28, 2009**

(54) **WHEEL OR WHEEL COVER**

(75) Inventor: **Florian Dieter Nissl**, Munich (DE)

(73) Assignee: **Bayerische Motoren Werke Aktiengesellschaft**, Munich (DE)

(**) Term: **14 Years**

(21) Appl. No.: **29/309,696**

(22) Filed: **Sep. 26, 2008**

(30) **Foreign Application Priority Data**

Apr. 2, 2008 (DE) 402008001724

(51) **LOC (9) Cl.** **12-16**

(52) **U.S. Cl.** **D12/211**

(58) **Field of Classification Search** D12/204–213;
301/37.101, 64.101, 65, 64.201
See application file for complete search history.

(56) **References Cited**

U.S. PATENT DOCUMENTS

D413,851 S *	9/1999	Donikoglu	D12/209
D454,825 S *	3/2002	Amatino	D12/211
D471,503 S *	3/2003	Baumgartner	D12/211
D471,852 S *	3/2003	Pfeiffer et al.	D12/211
D486,437 S *	2/2004	Hieke	D12/211
D486,770 S *	2/2004	Pollmann	D12/209
D487,418 S *	3/2004	Hieke	D12/211
D515,491 S *	2/2006	Elmitt	D12/209
D519,902 S *	5/2006	Pfeiffer	D12/209
D522,431 S *	6/2006	Hieke	D12/209
D522,946 S *	6/2006	Hieke	D12/209

D522,947 S *	6/2006	Hieke	D12/209
D531,104 S *	10/2006	Kim	D12/209
D542,211 S *	5/2007	Hieke	D12/211
D542,726 S *	5/2007	Hieke	D12/209
D542,729 S *	5/2007	Hieke	D12/211
D544,823 S *	6/2007	Hieke	D12/211
D551,609 S	9/2007	Hettler		
D569,776 S *	5/2008	Hieke	D12/211
D570,760 S *	6/2008	Hieke	D12/211
D572,646 S *	7/2008	Hieke	D12/209
D579,847 S *	11/2008	Hieke	D12/211

* cited by examiner

Primary Examiner—Cathron C Brooks

Assistant Examiner—Austin Murphy

(74) *Attorney, Agent, or Firm*—Crowell & Moring LLP

(57) **CLAIM**

The ornamental design for a wheel or wheel cover, as shown and described.

DESCRIPTION

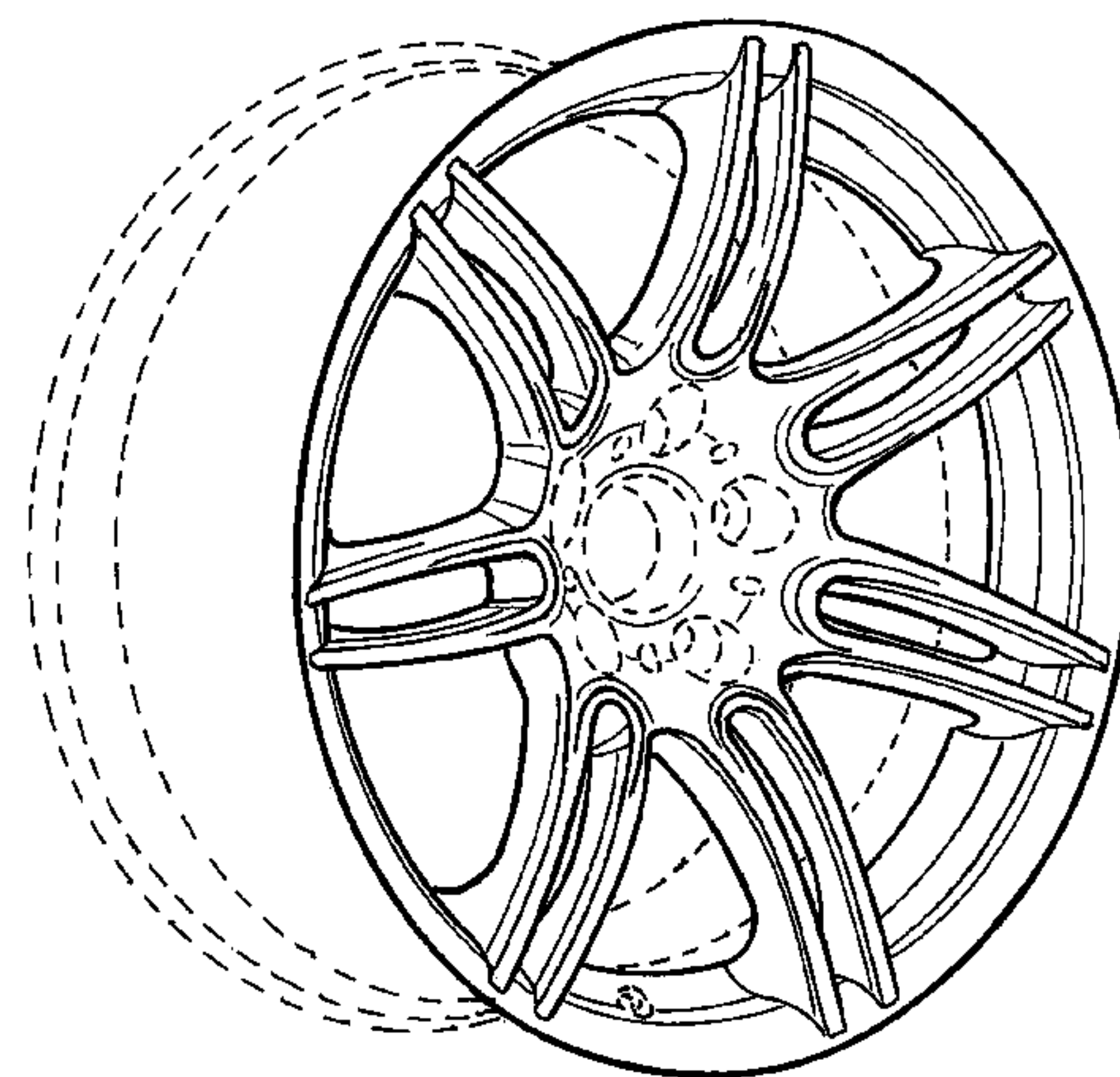
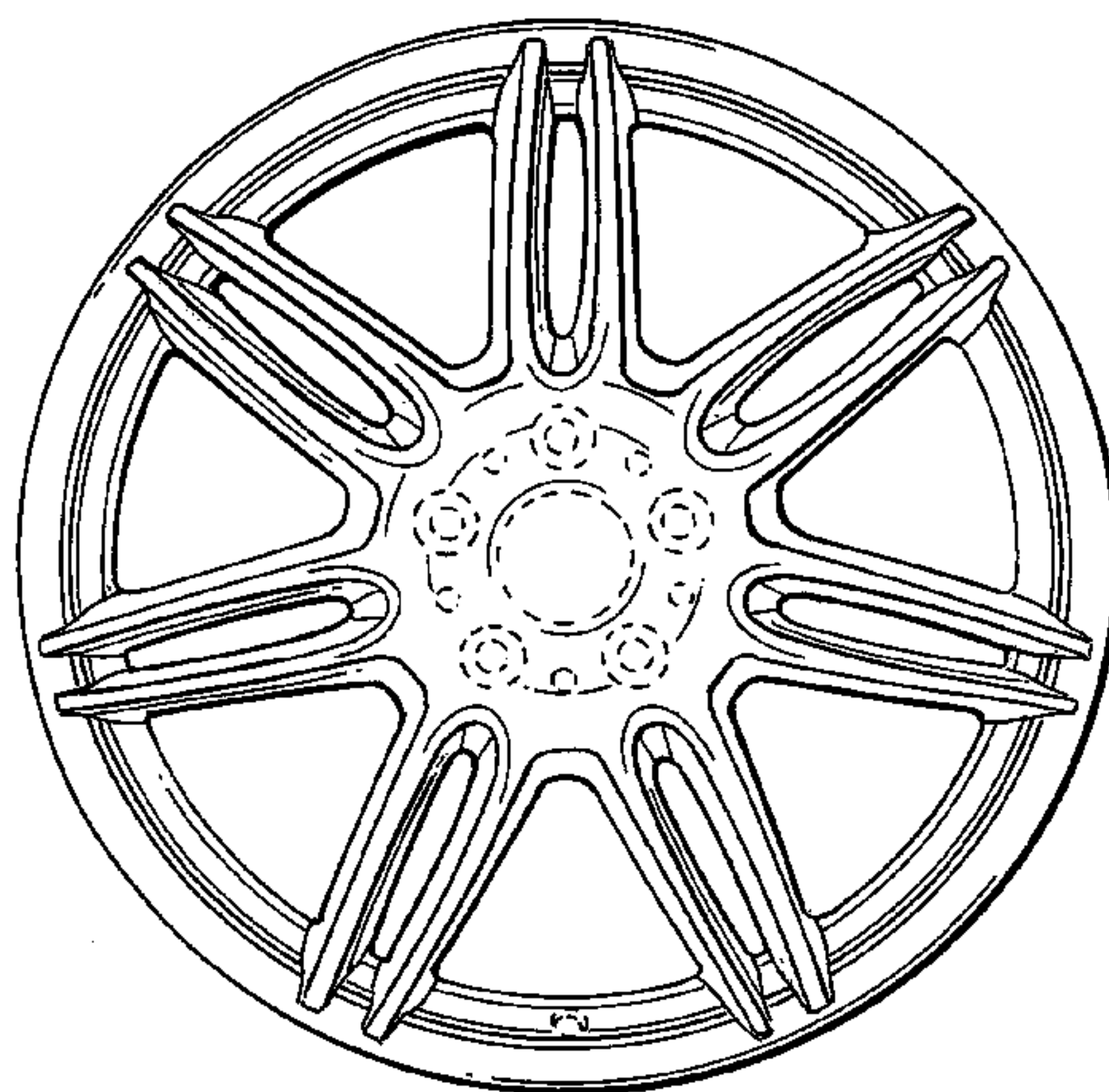
This application is related to the following co-pending applications: Ser. No. 29/287,330, filed Jul. 24, 2007; Ser. No. 29/287,169, filed Jul 6, 2007; and Ser. No. 29/300,308, filed Mar. 11, 2008 .

FIG. 1 is a front view of a wheel or wheel cover according to my novel design; and,

FIG. 2 is a perspective view thereof.

The broken lines are for illustrative purposes only and form no part of the claimed design.

1 Claim, 1 Drawing Sheet



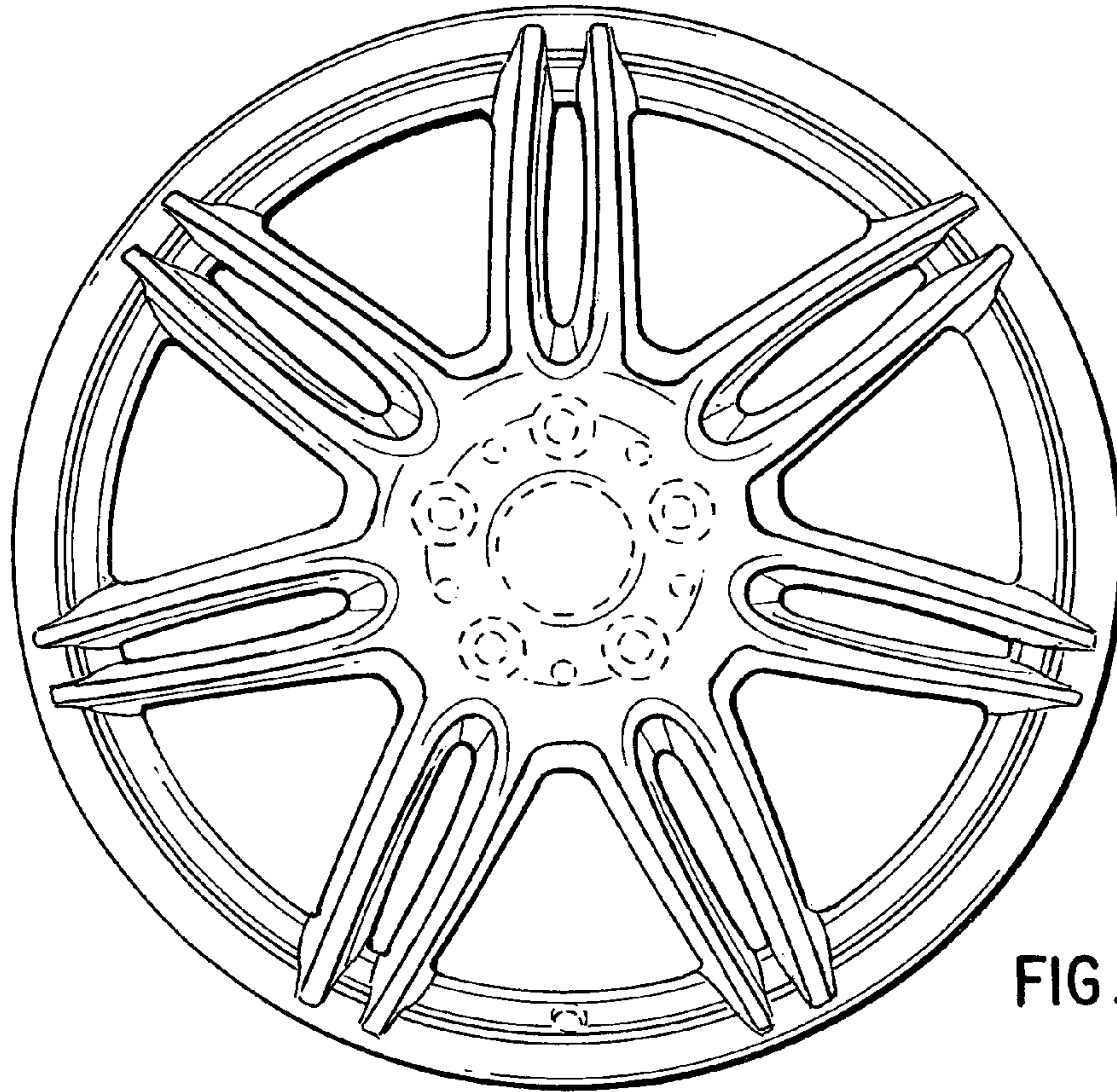


FIG. 1

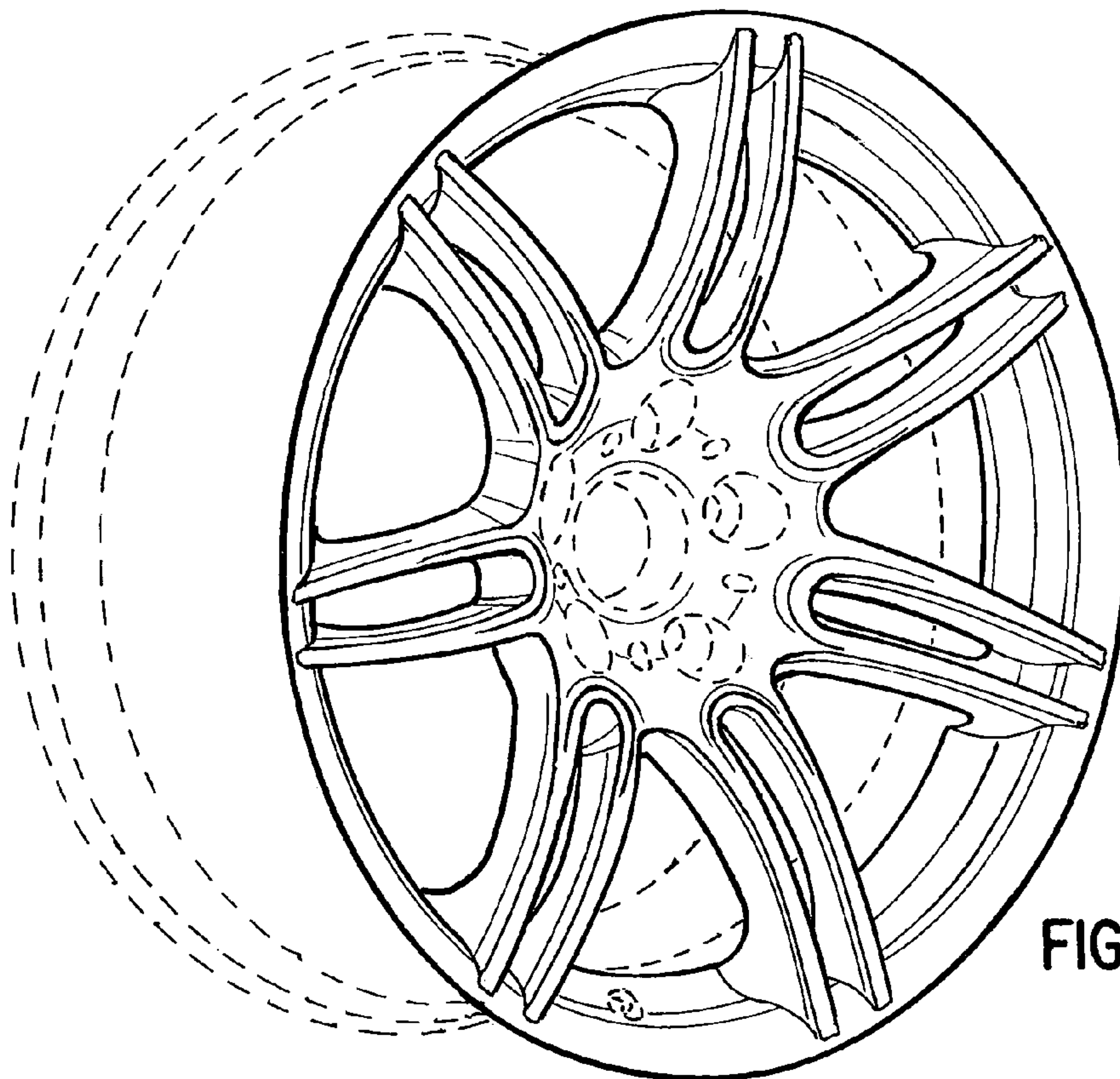


FIG. 2