



US00D597013S

(12) **United States Design Patent**
Chung

(10) **Patent No.:** **US D597,013 S**

(45) **Date of Patent:** **** Jul. 28, 2009**

(54) **AUTOMOTIVE WHEEL**

(76) **Inventor:** **Suny Chung**, 3283 Red Pine Rd., Yorba Linda, CA (US) 92886

(**) **Term:** **14 Years**

(21) **Appl. No.:** **29/307,018**

(22) **Filed:** **Mar. 28, 2008**

(51) **LOC (9) Cl.** **12-16**

(52) **U.S. Cl.** **D12/211**

(58) **Field of Classification Search** D12/204-213;
301/37.101, 64.101, 65

See application file for complete search history.

(56) **References Cited**

U.S. PATENT DOCUMENTS

- D481,984 S * 11/2003 Sulahian D12/211
- D503,917 S * 4/2005 Kushartanto D12/209
- D513,488 S * 1/2006 Chun D12/209
- D521,435 S * 5/2006 Fitzgerald D12/209

- D535,933 S * 1/2007 Markefka D12/209
- D553,067 S * 10/2007 Muzzarelli D12/211
- D554,034 S * 10/2007 Madden D12/209
- D576,534 S * 9/2008 Pfeiffer D12/209

* cited by examiner

Primary Examiner—Elizabeth A Albert
Assistant Examiner—Kelley A Donnelly

(57) **CLAIM**

The ornamental design for an automotive wheel, as shown and described.

DESCRIPTION

FIG. 1 is a perspective view of an automotive wheel, showing my new design; and,

FIG. 2 is a front view thereof.

The broken lines are for environmental purposes and form no part of the claimed design.

1 Claim, 2 Drawing Sheets

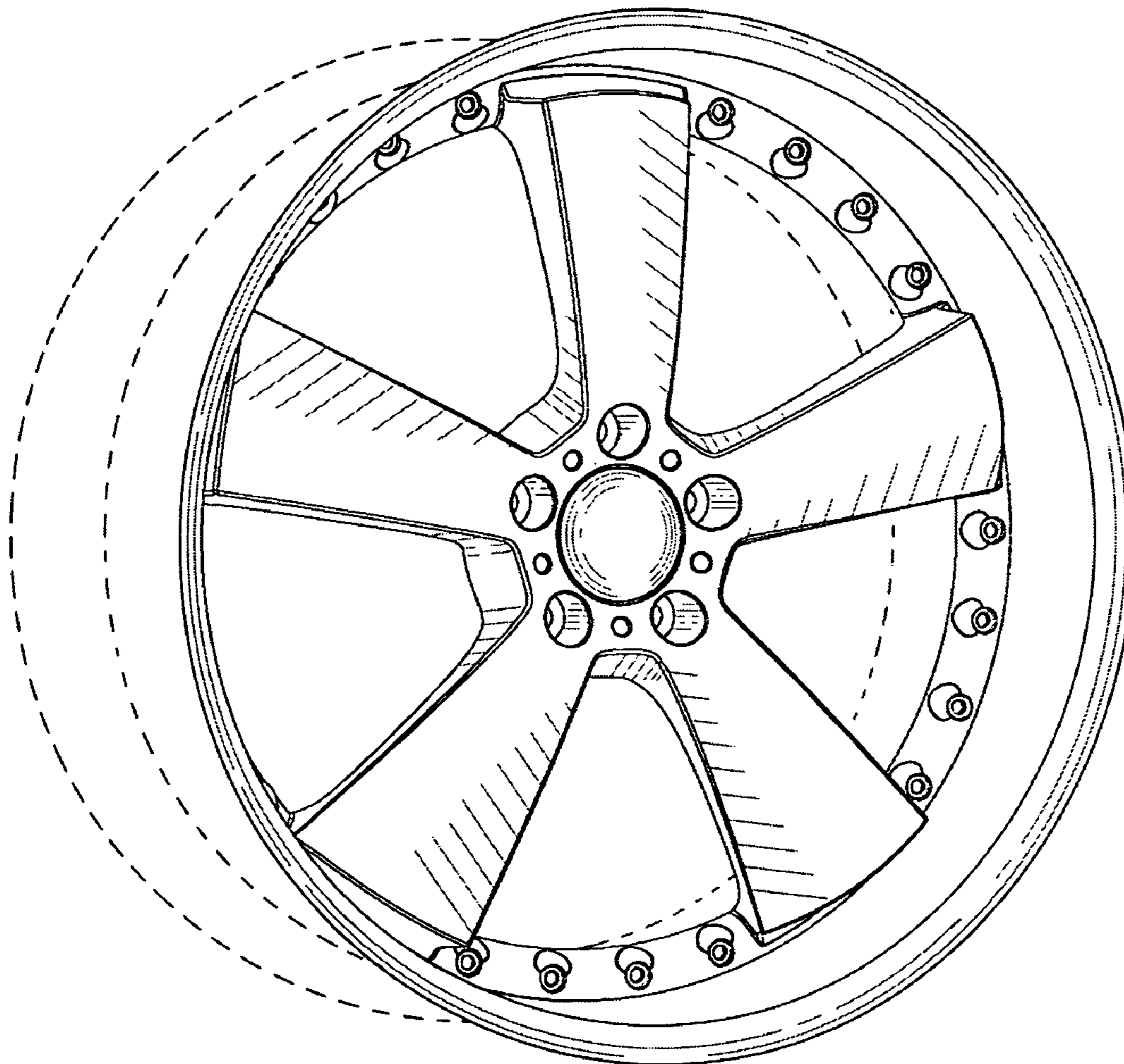


FIG 1

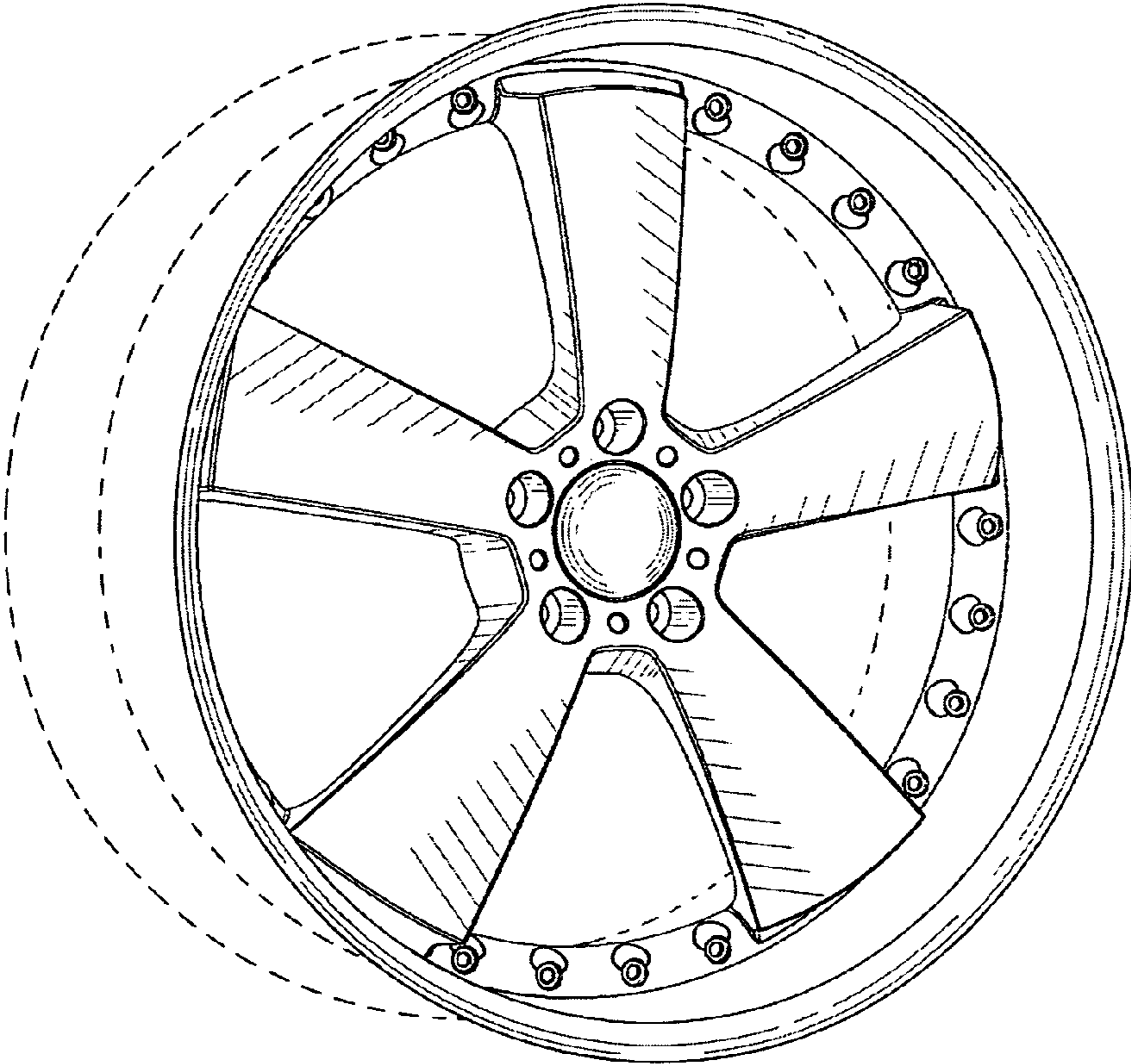


FIG 2

