

US00D597011S

(12) **United States Design Patent**
Habib

(10) **Patent No.:** **US D597,011 S**
(45) **Date of Patent:** **** Jul. 28, 2009**

(54) **DOOR FOR A VEHICLE**

(74) *Attorney, Agent, or Firm*—Crowell & Moring LLP

(75) Inventor: **Karim Habib**, Munich (DE)

(57) **CLAIM**

(73) Assignee: **Bayerische Motoren Werke Aktiengesellschaft**, Munich (DE)

The ornamental design for a door for a vehicle, as shown and described.

(**) Term: **14 Years**

DESCRIPTION

(21) Appl. No.: **29/309,031**

This application is related to the following co-pending applications: application Ser. No. 29/309,034, entitled “vehicle, toy, or likeness thereof”; and application Ser. No. 29/309,030, entitled “door for a vehicle”.

(22) Filed: **Jun. 12, 2008**

(30) **Foreign Application Priority Data**

Dec. 13, 2007 (DE) 40706251

FIG. 1 is a left perspective view of an embodiment of a door for a vehicle according to my novel design;

(51) **LOC (9) Cl.** **12-16**

FIG. 2 is a right perspective view thereof;

(52) **U.S. Cl.** **D12/196**

FIG. 3 is a front view thereof;

(58) **Field of Classification Search** D12/196,
D12/90–92, 86; 296/181.1, 181.5
See application file for complete search history.

FIG. 4 is a top view thereof;

FIG. 5 is a left side view thereof; and

FIG. 6 is a right side view thereof.

(56) **References Cited**

FIG. 7 is a right perspective view of a second embodiment of the door for a vehicle according to my novel design;

U.S. PATENT DOCUMENTS

D479,700 S	9/2003	Boyer	
D491,859 S	6/2004	Velazco	
D511,129 S *	11/2005	Nagashima D12/196
D558,112 S *	12/2007	Leclercq D12/196
D573,522 S *	7/2008	Sato et al. D12/196
D583,288 S *	12/2008	Leclercq D12/196
D583,289 S *	12/2008	Leclercq D12/196

FIG. 8 is a left perspective view of FIG. 7;

FIG. 9 is a front view of FIG. 7;

FIG. 10 is a top view of FIG. 7;

FIG. 11 is a right side view of FIG. 7; and,

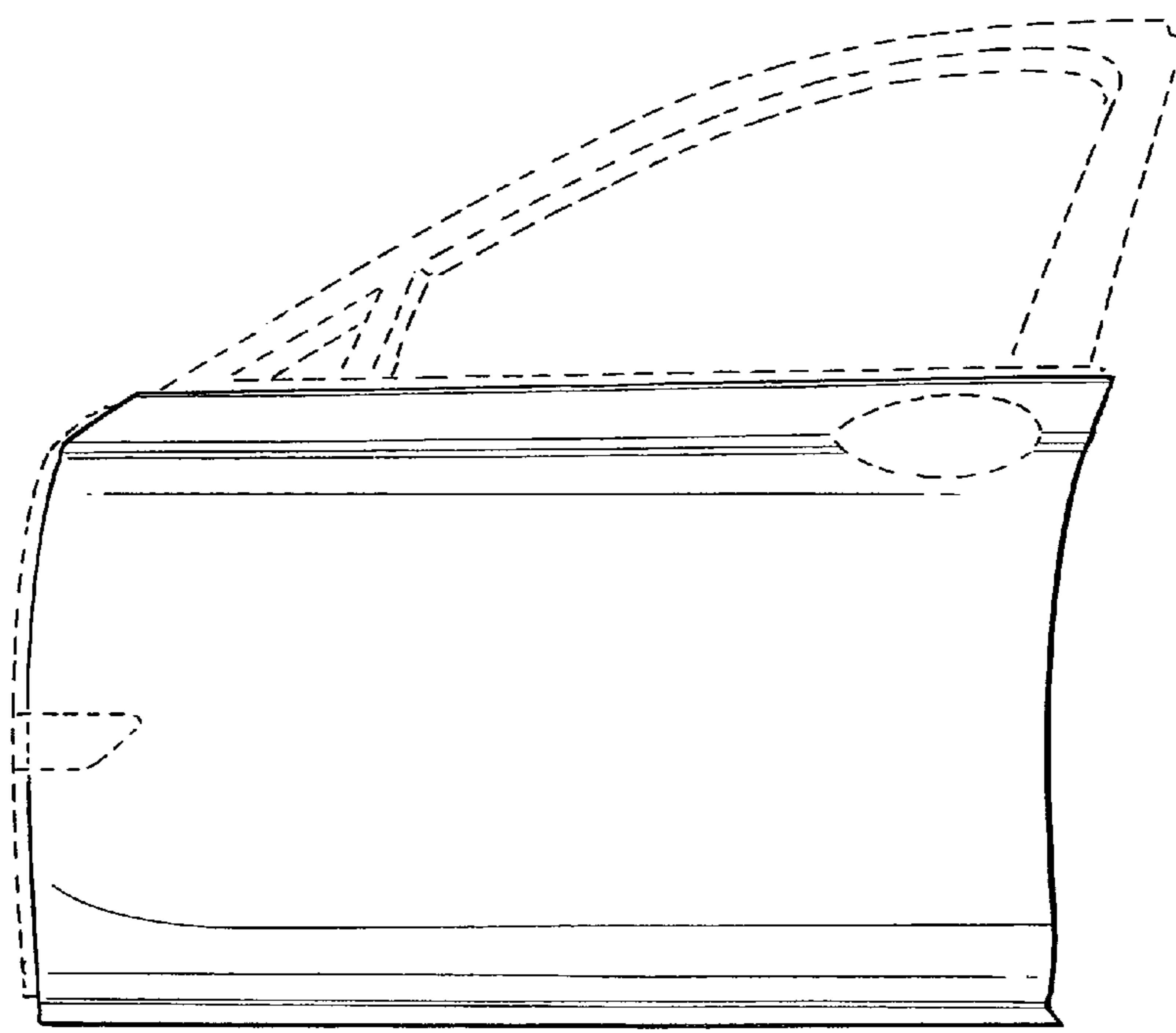
FIG. 12 is a left side view of FIG. 7.

* cited by examiner

The broken lines are for illustrative purposes only and form no part of the claimed design.

Primary Examiner—Melody N Brown

1 Claim, 6 Drawing Sheets



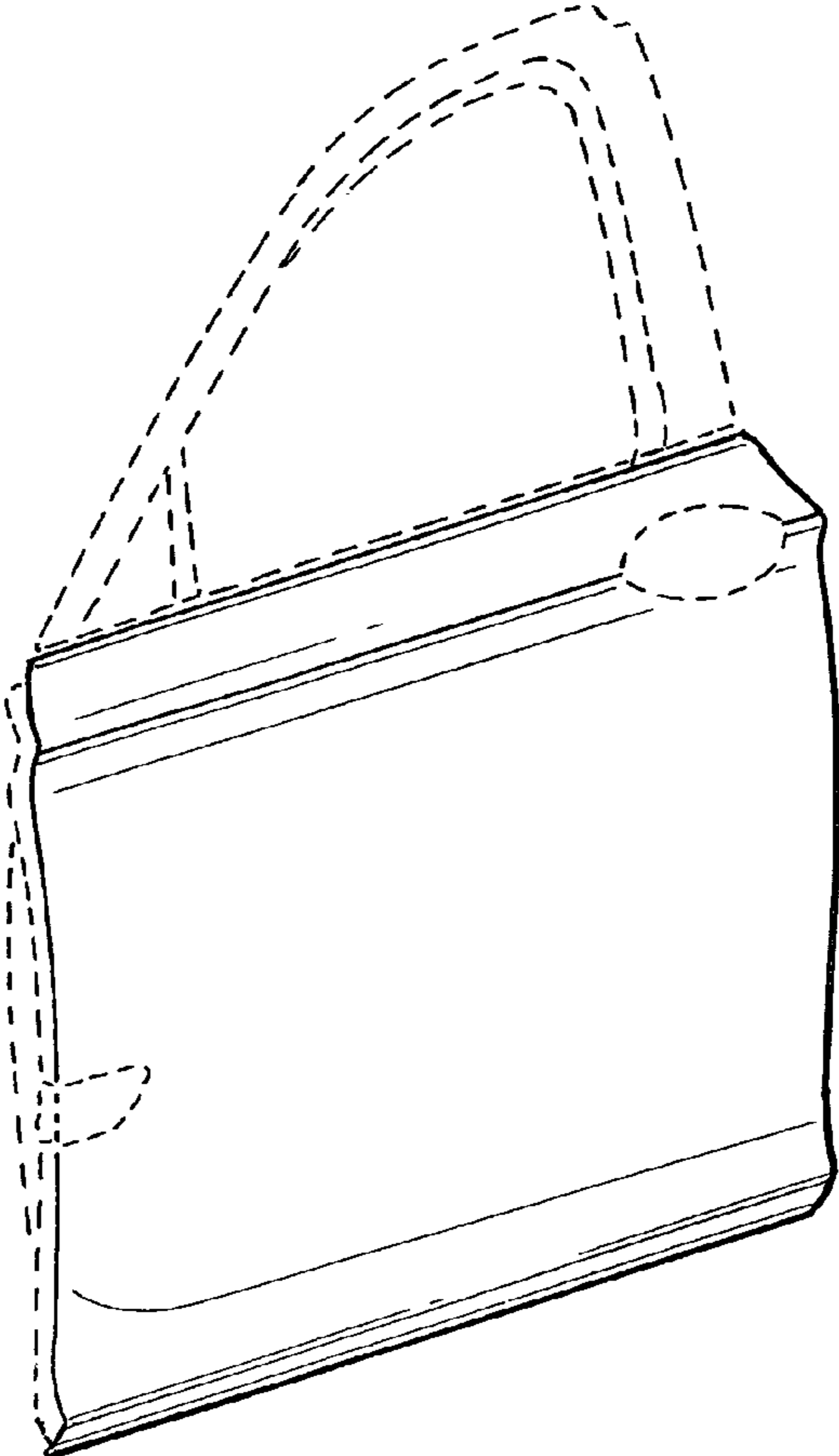


FIG. 1

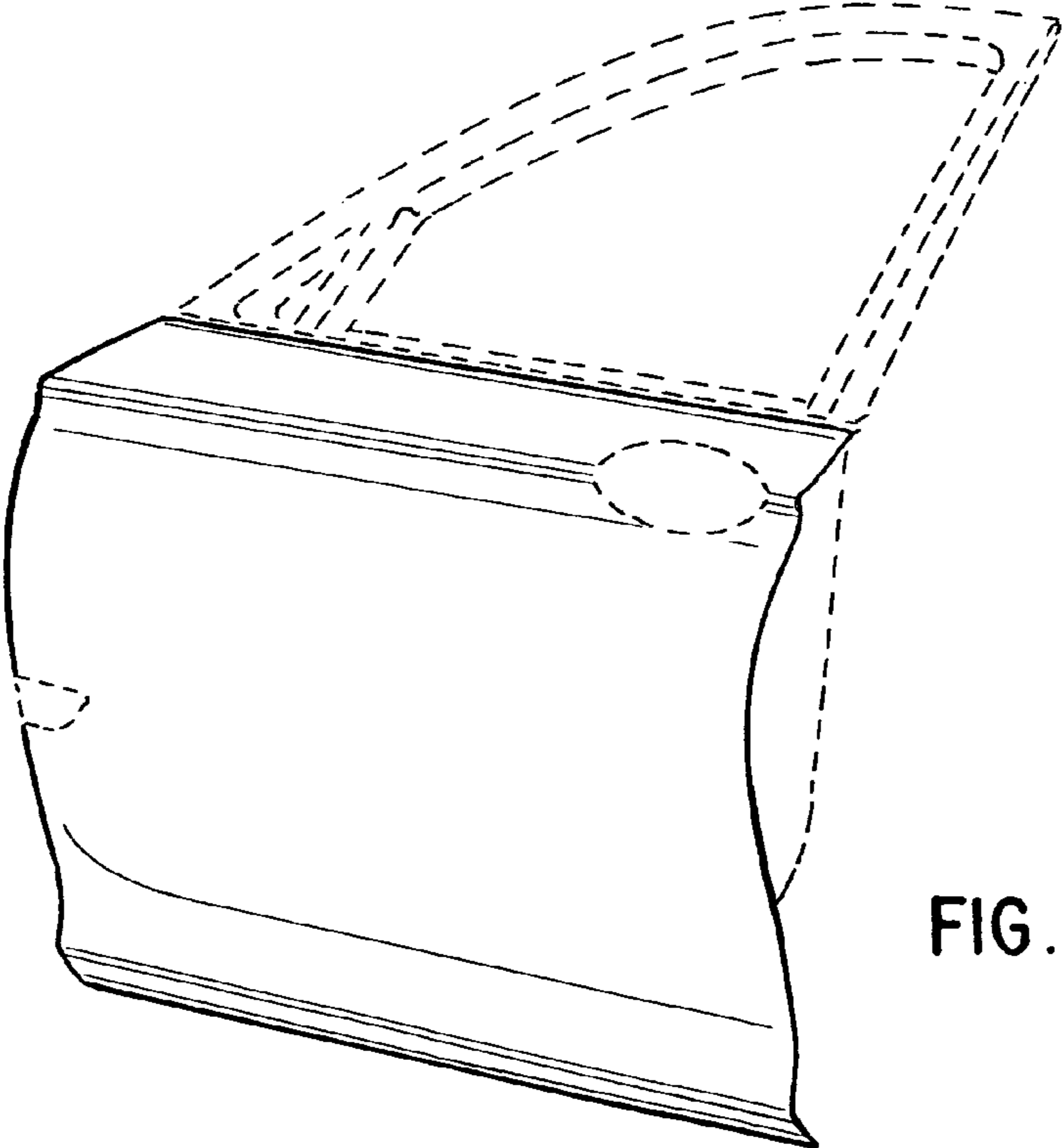


FIG. 2

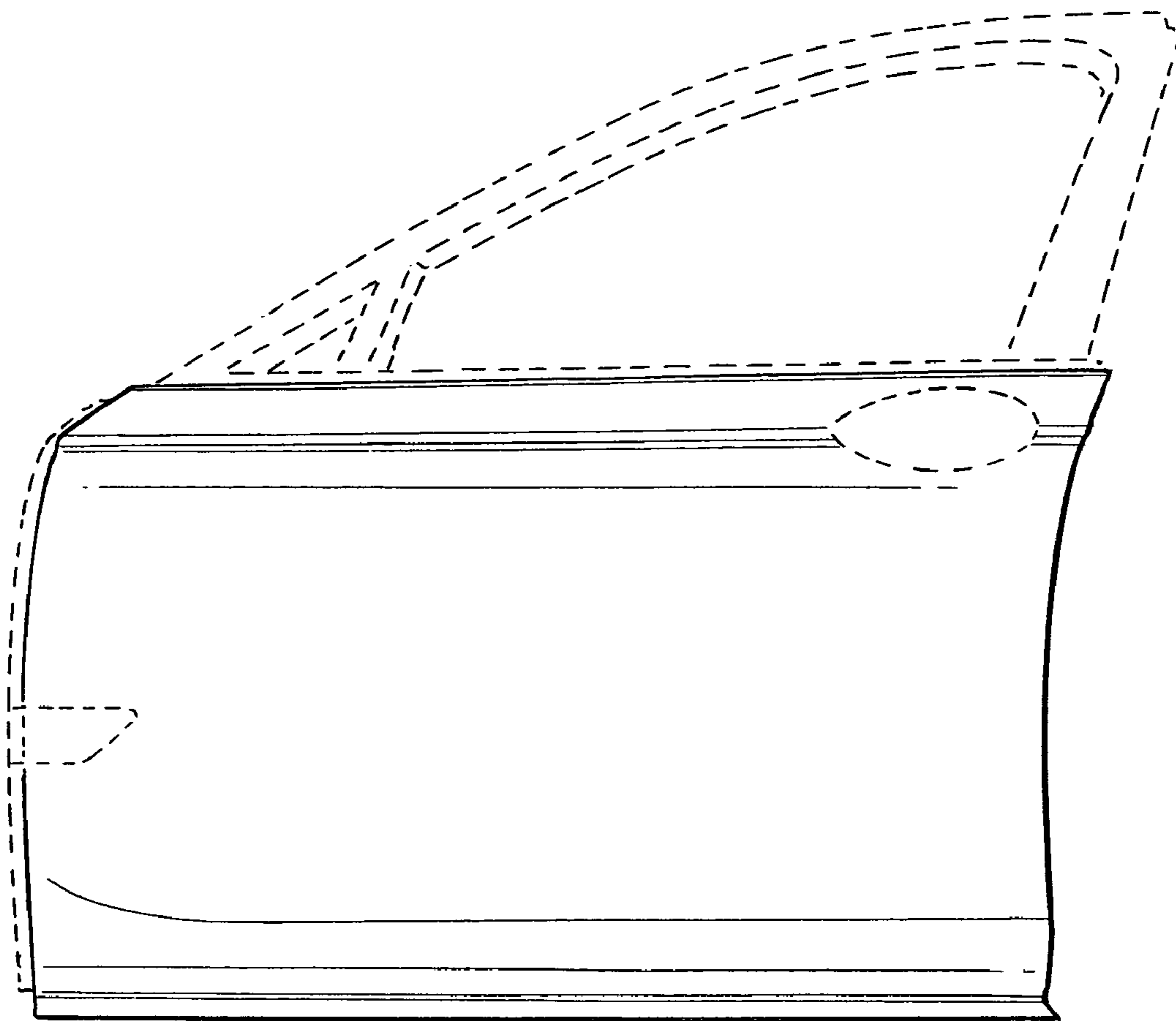


FIG. 3

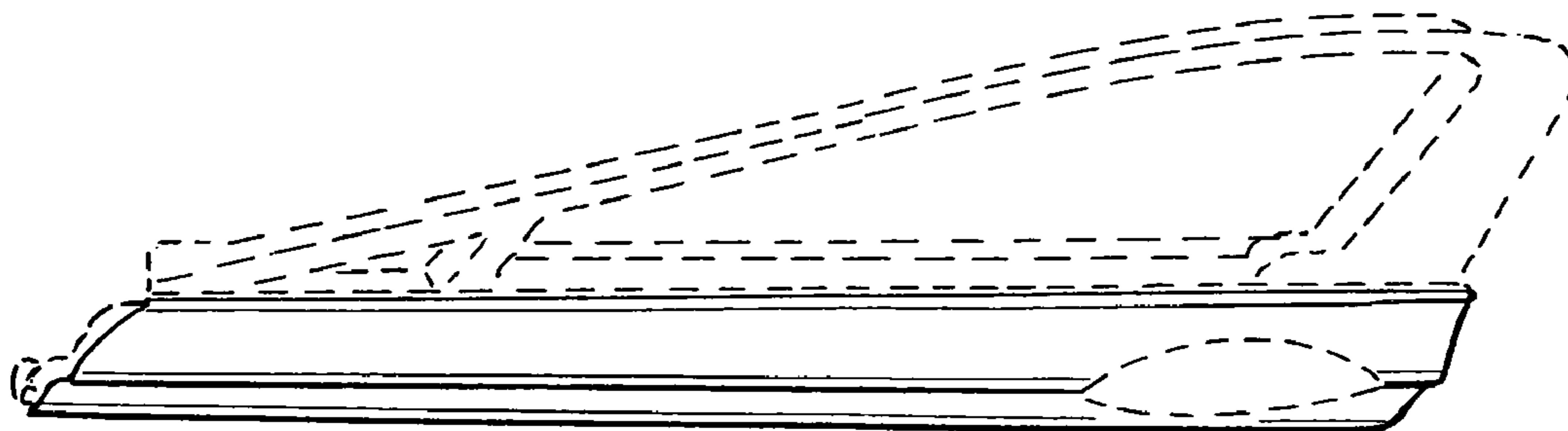
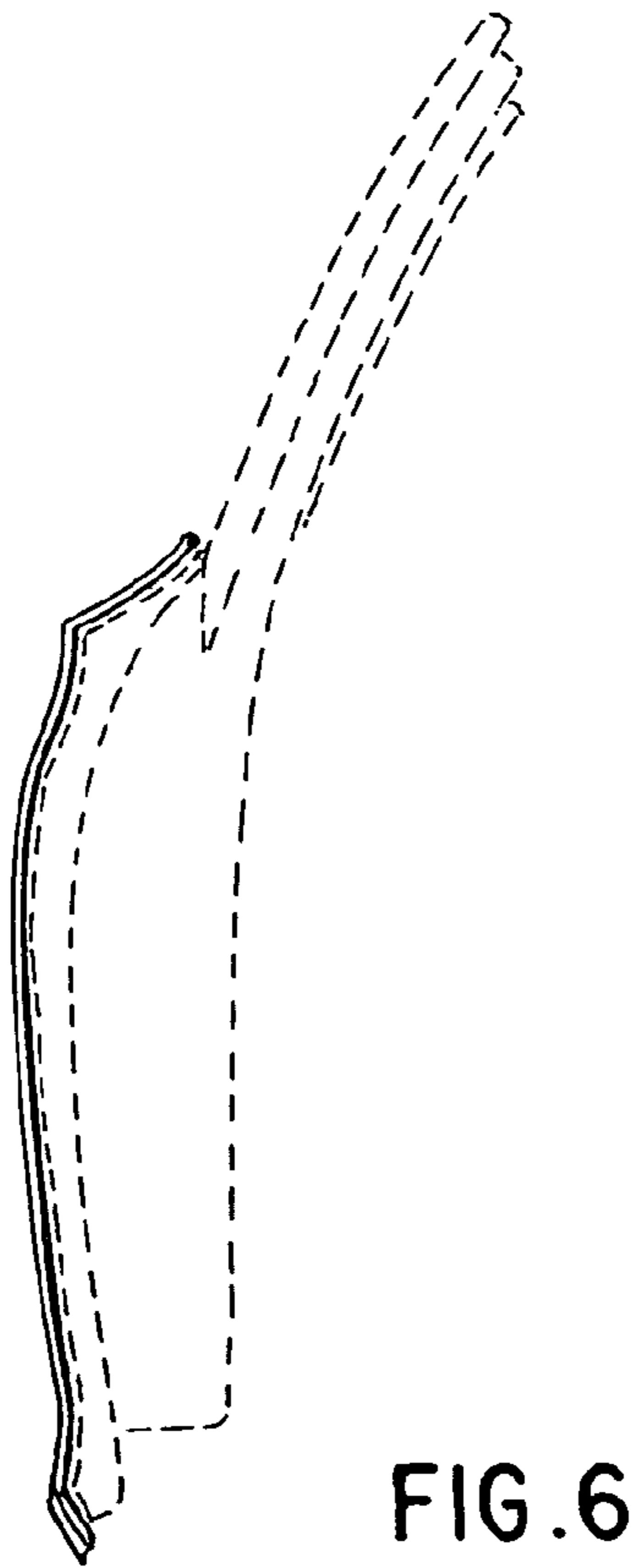
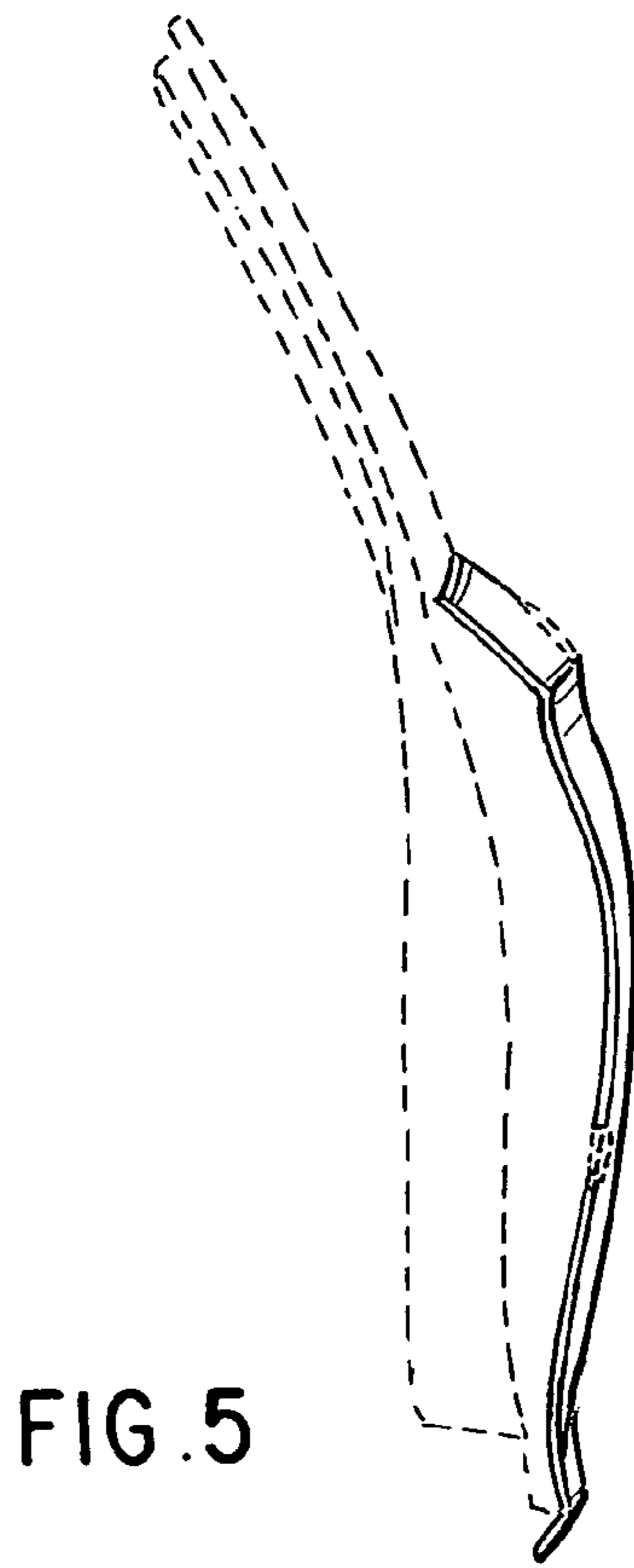


FIG. 4



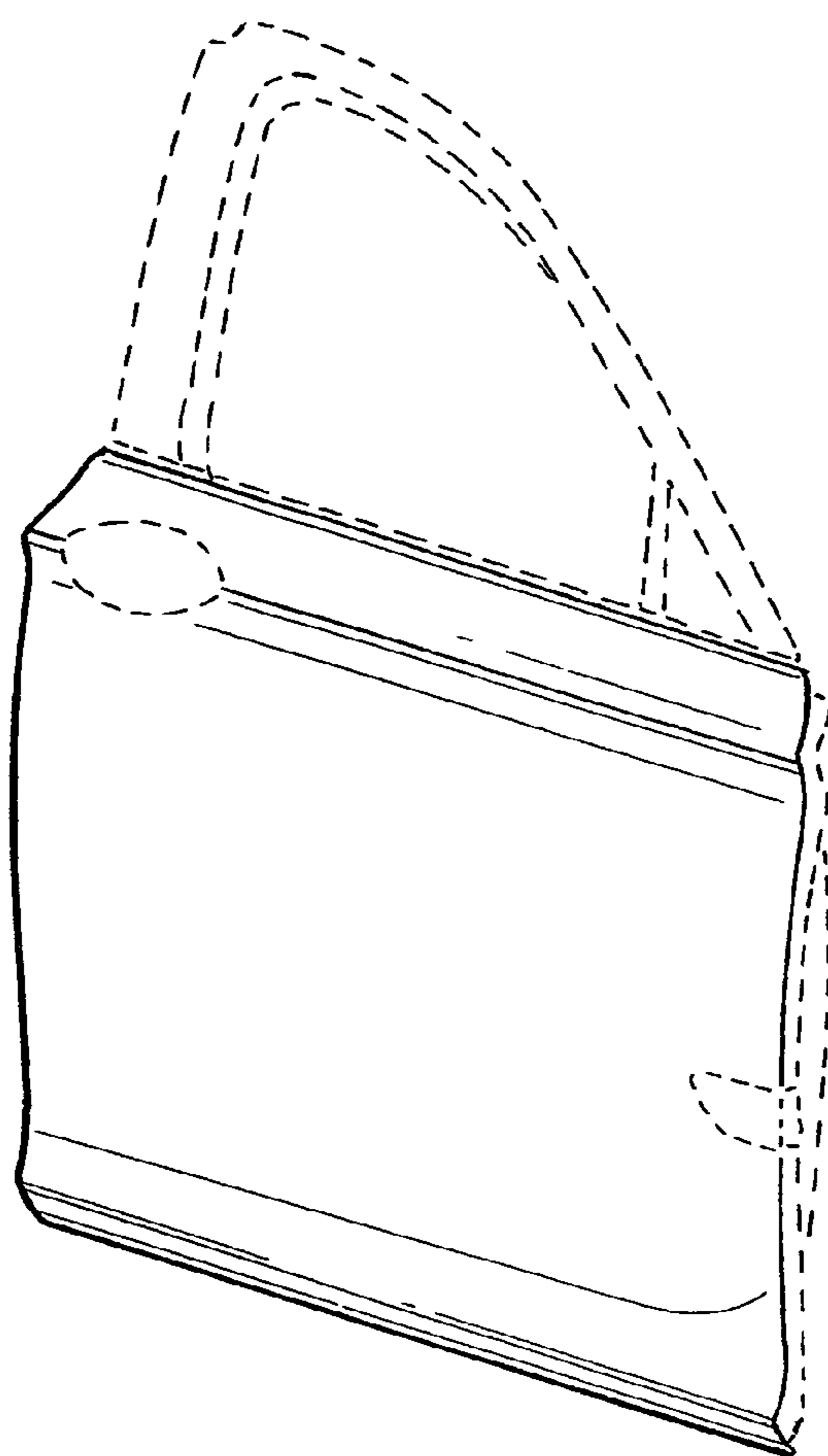


FIG. 7

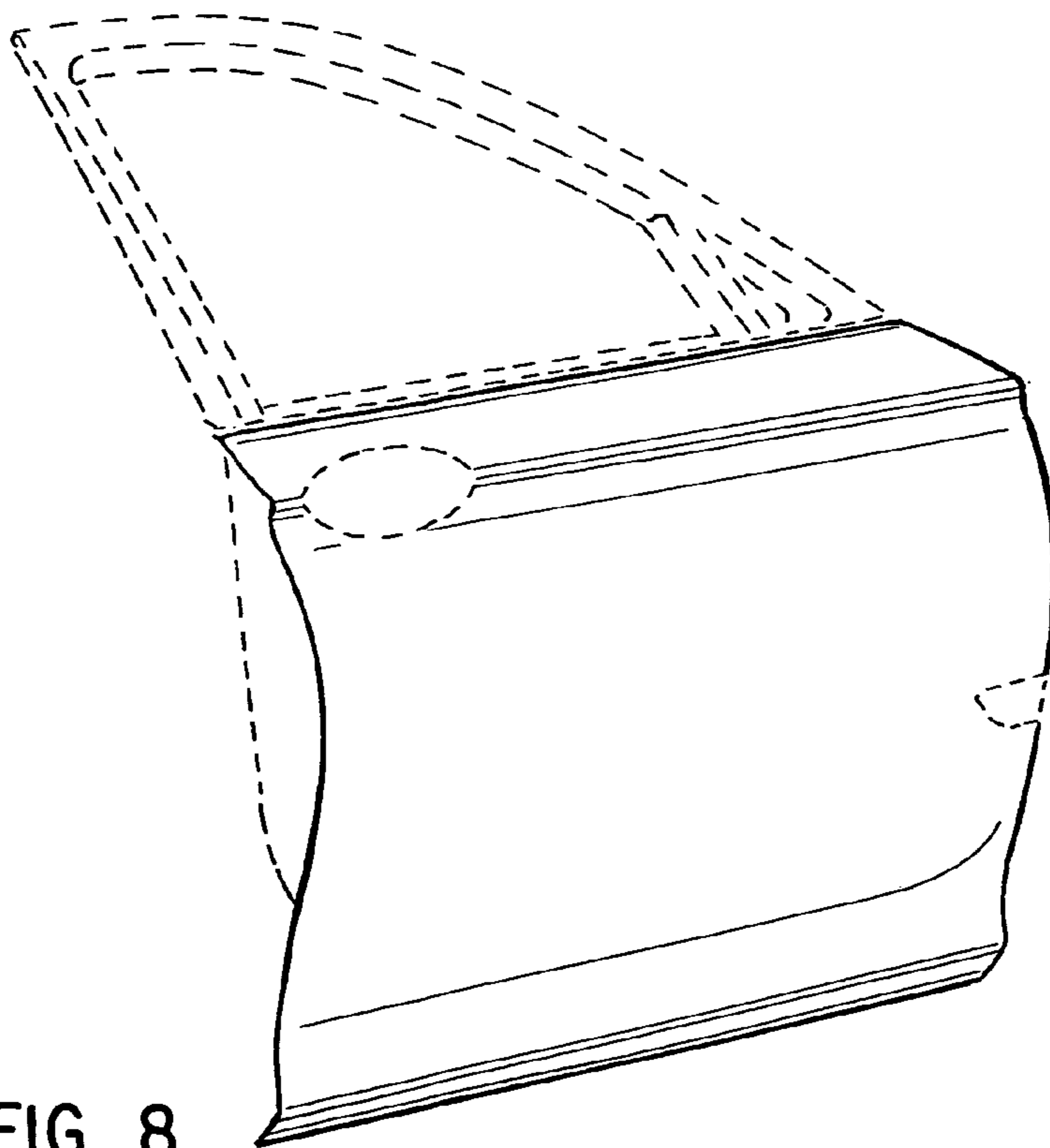


FIG. 8

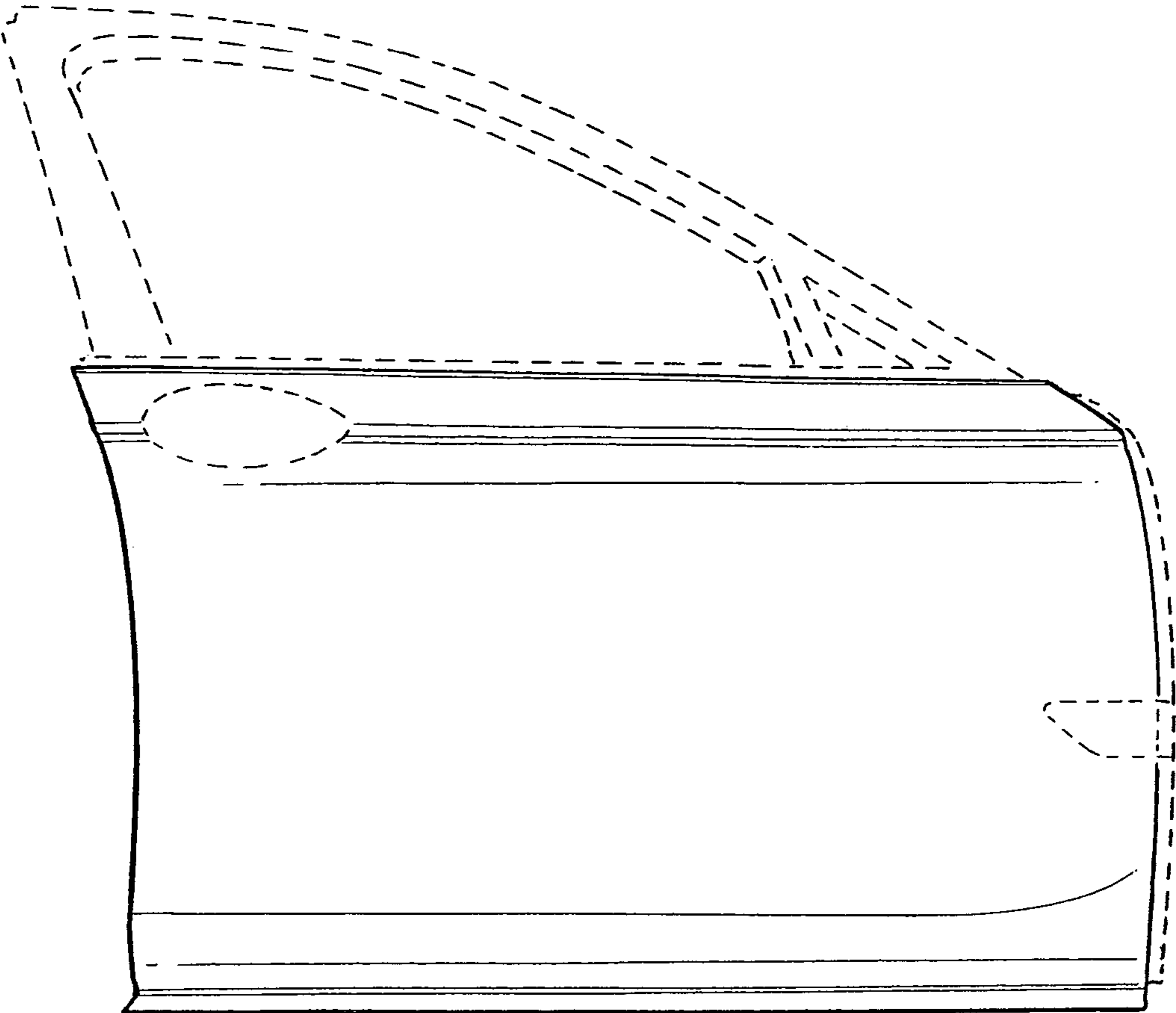


FIG. 9

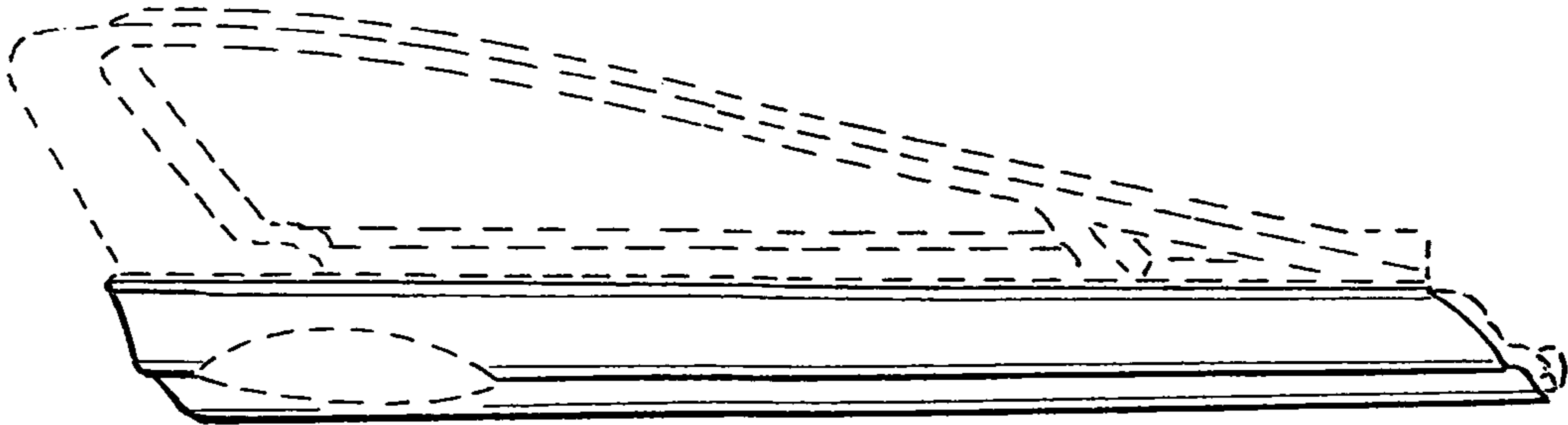


FIG. 10

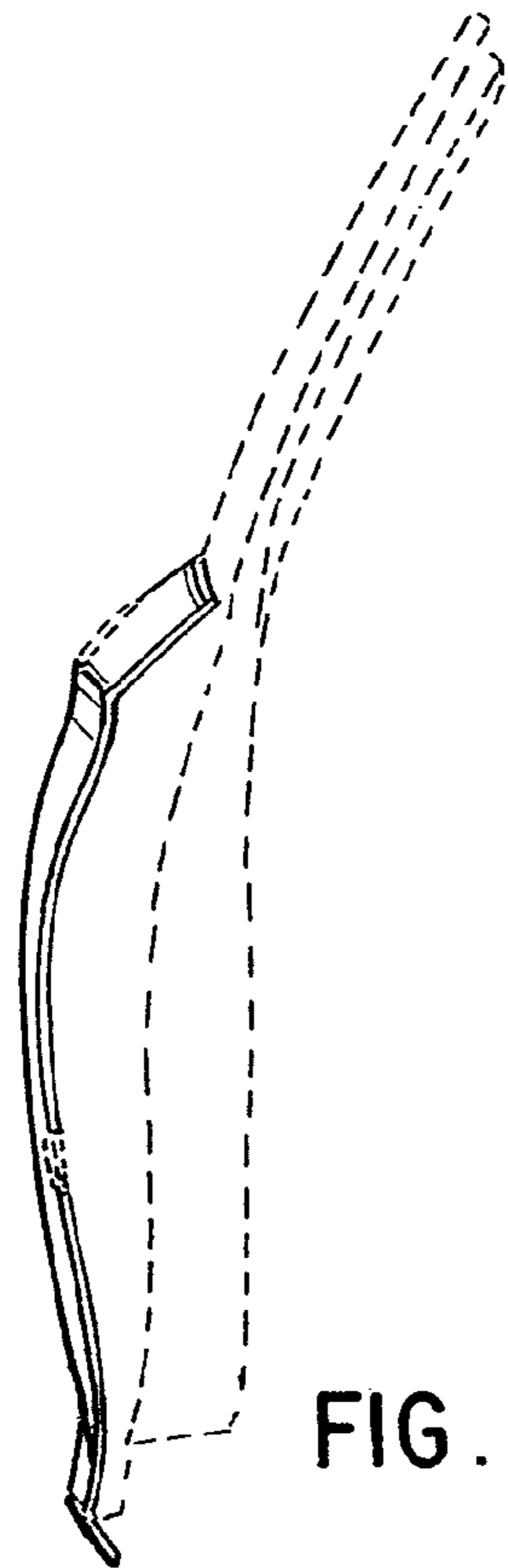


FIG. 11

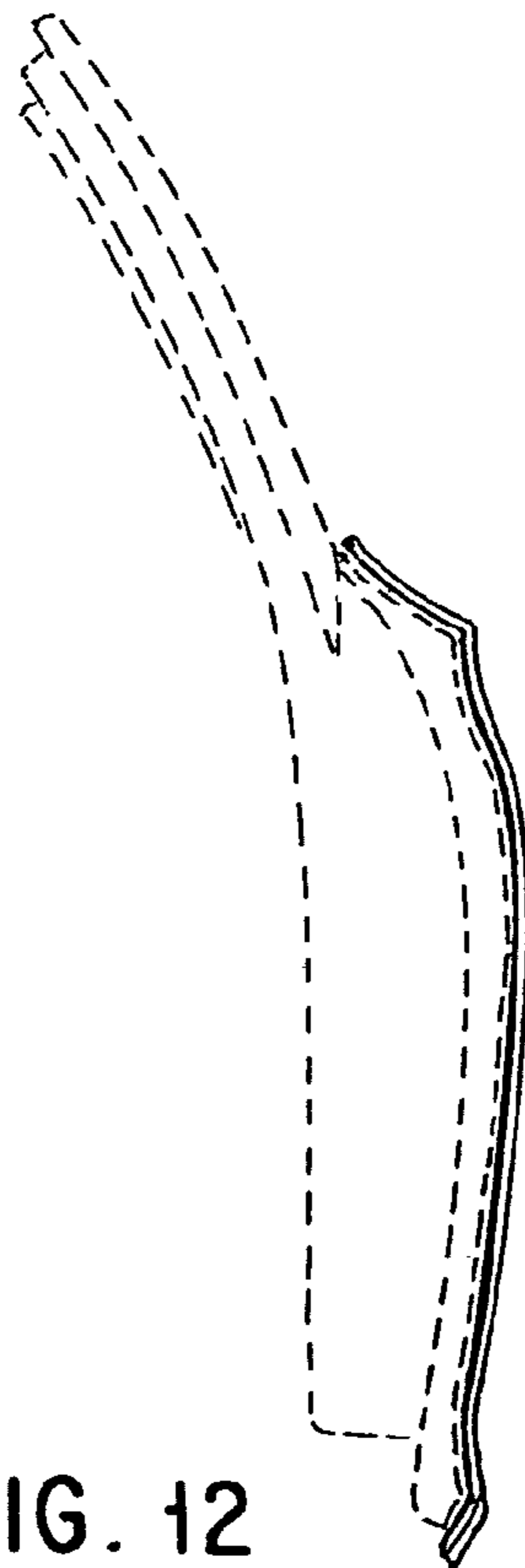


FIG. 12