



US00D597010S

(12) **United States Design Patent**
Varga

(10) **Patent No.:** **US D597,010 S**
(45) **Date of Patent:** **** Jul. 28, 2009**

- (54) **AUTOMOBILE SIDE PANEL**
- (75) Inventor: **Peter Varga**, Pforzheim (DE)
- (73) Assignee: **Dr. Ing. h.c. F. Porsche Aktiengesellschaft**, Weissach (DE)
- (**) Term: **14 Years**
- (21) Appl. No.: **29/284,225**
- (22) Filed: **Sep. 4, 2007**
- (30) **Foreign Application Priority Data**
Mar. 5, 2007 (DE) 4 07 01 198
- (51) **LOC (9) Cl.** **12-16**
- (52) **U.S. Cl.** **D12/196**
- (58) **Field of Classification Search** D12/196,
D12/90-92, 86; 296/181.1, 181.5
See application file for complete search history.
- (56) **References Cited**
U.S. PATENT DOCUMENTS
D467,853 S * 12/2002 Warming D12/196

- D472,193 S * 3/2003 Sinkwitz D12/196
- D501,168 S * 1/2005 Otto et al. D12/196
- D502,133 S * 2/2005 Ferrari D12/196
- D555,061 S * 11/2007 Davidson D12/196
- D555,062 S * 11/2007 Davidson D12/196

* cited by examiner

Primary Examiner—Melody N Brown

(57) **CLAIM**

The ornamental design for an automobile side panel, as shown and described.

DESCRIPTION

FIG. 1 is a top plan view of an automobile side panel showing my new design.

FIG. 2 is a top view thereof;

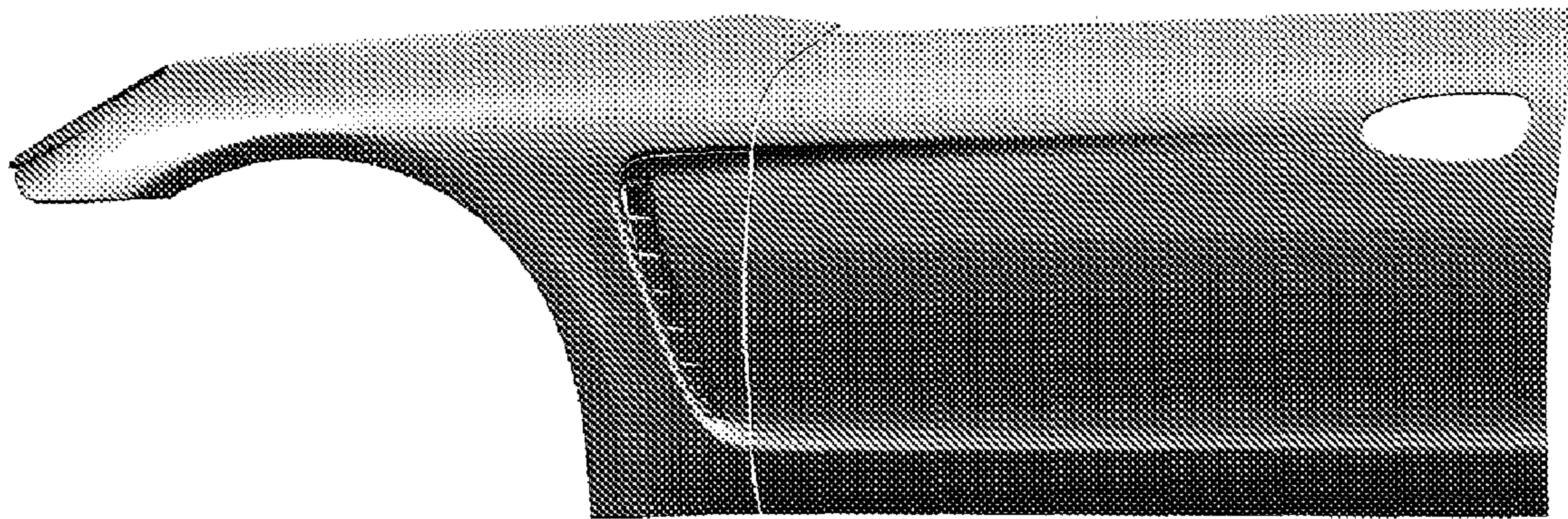
FIG. 3 is a front, perspective view thereof;

FIG. 4 is a front, perspective view thereof;

FIG. 5 is a right-side view thereof; and,

FIG. 6 is a left-side view thereof.

1 Claim, 3 Drawing Sheets



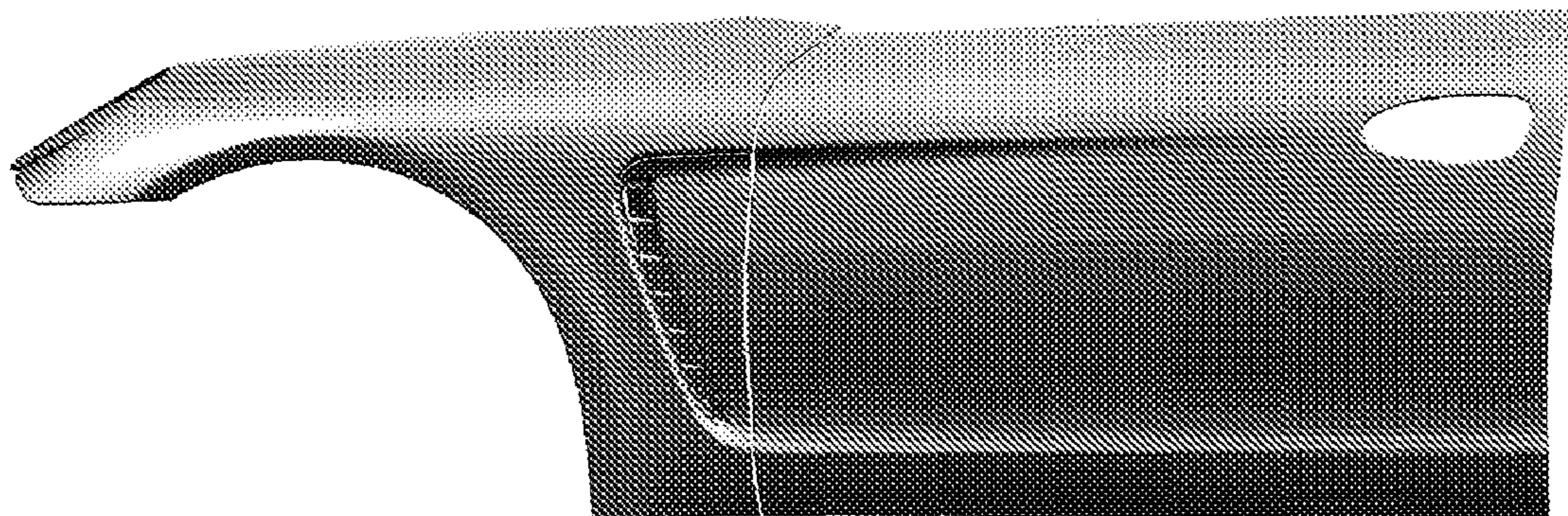


FIG. 1

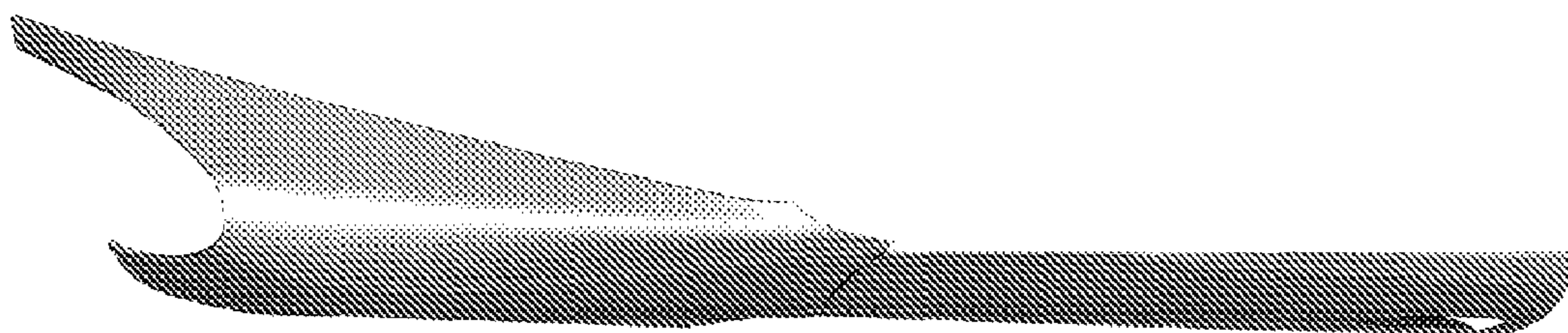


FIG. 2

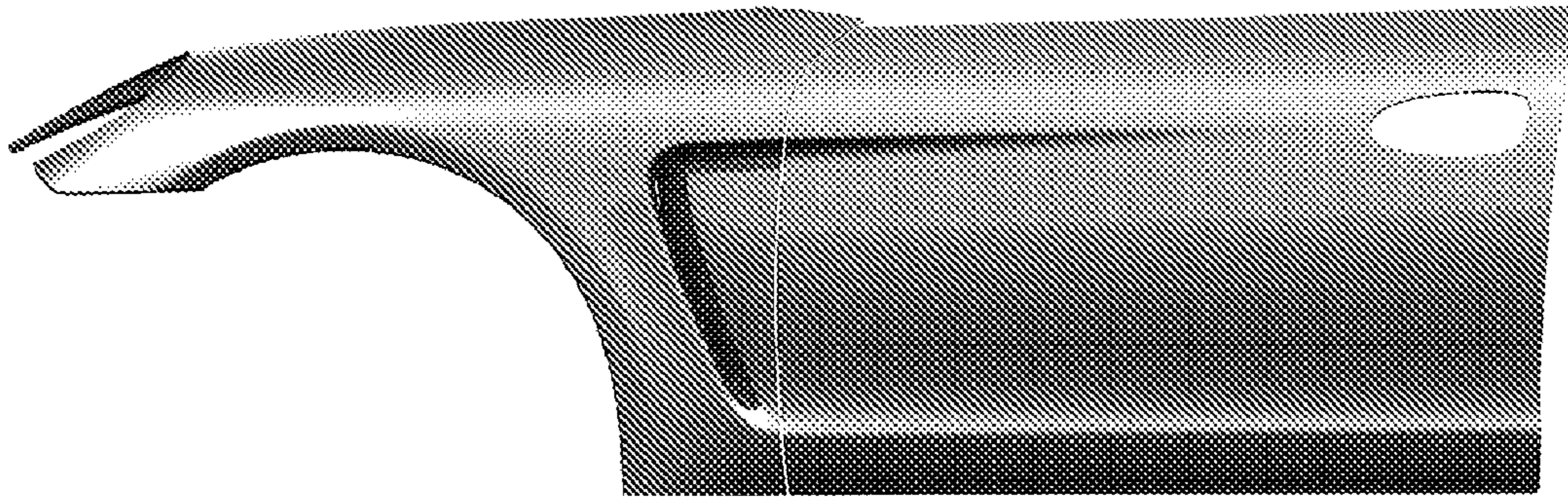


FIG. 3

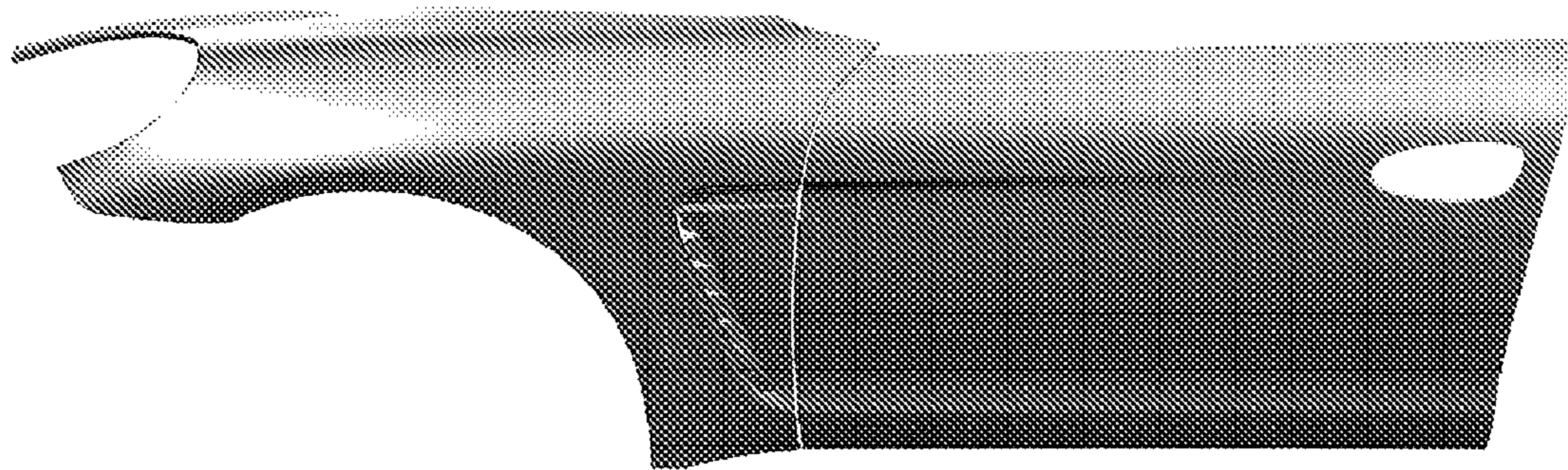


FIG. 4



FIG. 5

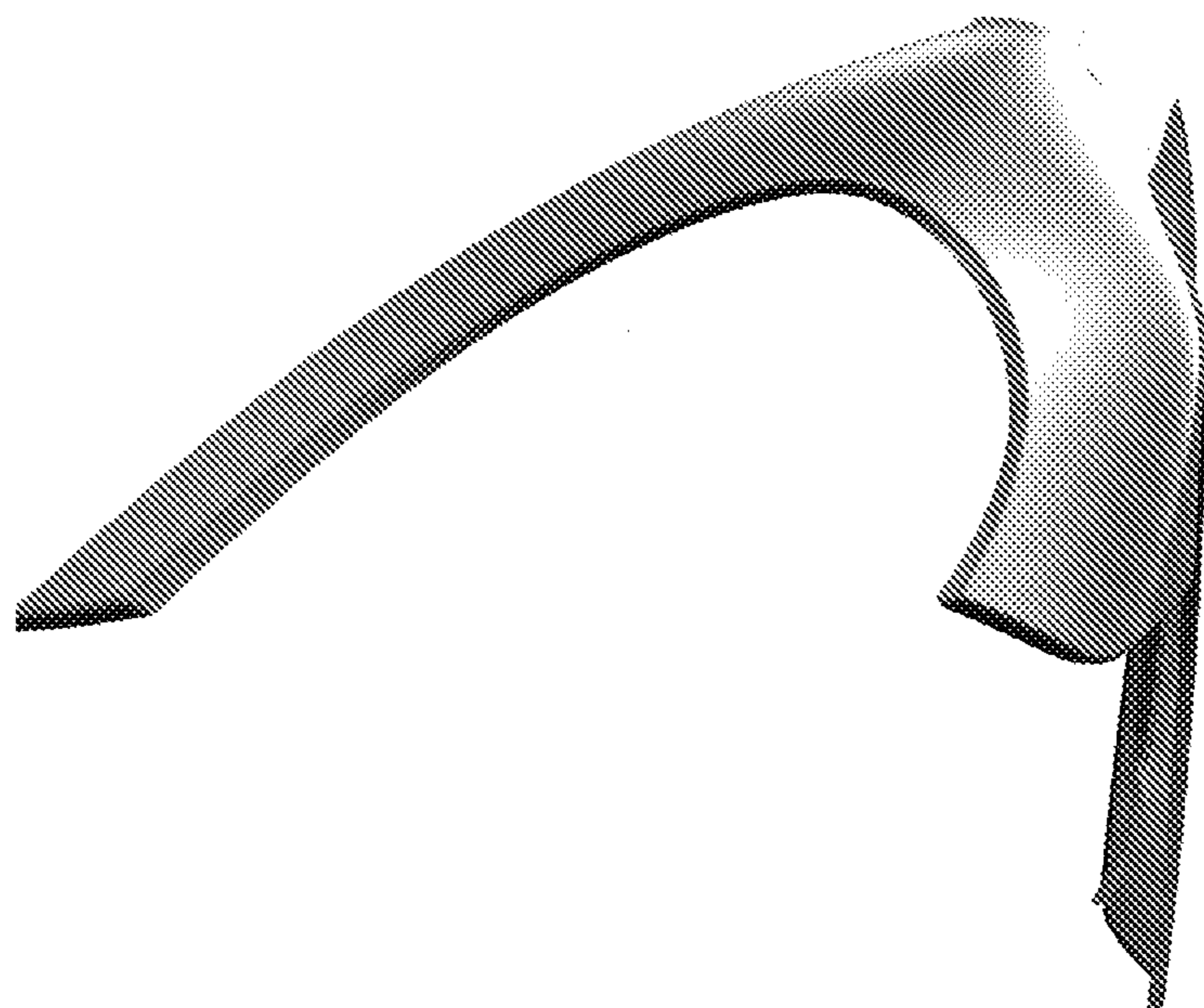


FIG. 6