



US00D597008S

(12) **United States Design Patent**  
**Gammelgard**

(10) **Patent No.:** **US D597,008 S**

(45) **Date of Patent:** **\*\* Jul. 28, 2009**

(54) **VEHICLE SUN VISOR CLIP**

(76) Inventor: **Timothy Gammelgard**, 9012 Howell  
La., Newcastle, CA (US) 95658

(\*\*) Term: **14 Years**

(21) Appl. No.: **29/321,181**

(22) Filed: **Jul. 11, 2008**

(51) **LOC (9) Cl.** ..... **12-16**

(52) **U.S. Cl.** ..... **D12/191**

(58) **Field of Classification Search** ..... D12/191,  
D12/181, 184-185, 106, 417, 311-312; 296/97.1-97.8,  
296/180.1; 160/370.21, 370.22, 370.23  
See application file for complete search history.

(56) **References Cited**

**U.S. PATENT DOCUMENTS**

D405,746	S	*	2/1999	Larson	.....	D12/191
5,873,620	A	*	2/1999	Lu	.....	296/97.5
6,004,415	A	*	12/1999	Ko	.....	156/150
6,007,135	A	*	12/1999	Alves	.....	296/97.9
6,082,674	A	*	7/2000	White et al.	.....	244/129.3
6,089,245	A	*	7/2000	Tseytlin et al.	.....	135/88.01
D524,206	S	*	7/2006	Hohny	.....	D12/191
7,131,683	B1	*	11/2006	Gong	.....	296/97.9

D561,671	S	*	2/2008	Ma	.....	D12/191
D566,636	S	*	4/2008	Ma	.....	D12/191
2001/0040384	A1	*	11/2001	Graham et al.	.....	296/97.1
2005/0046223	A1	*	3/2005	Virts et al.	.....	296/97.6
2008/0315614	A1	*	12/2008	Hamelink et al.	.....	296/97.2

\* cited by examiner

*Primary Examiner*—Caron Veynar

*Assistant Examiner*—Katrina A Kile

(74) *Attorney, Agent, or Firm*—James A. Italia; Italia IP

(57) **CLAIM**

The ornamental design for a vehicle sun visor clip, as shown and described.

**DESCRIPTION**

FIG. 1 is a perspective view of a vehicle sun visor clip showing my new design;

FIG. 2 is bottom plan view thereof;

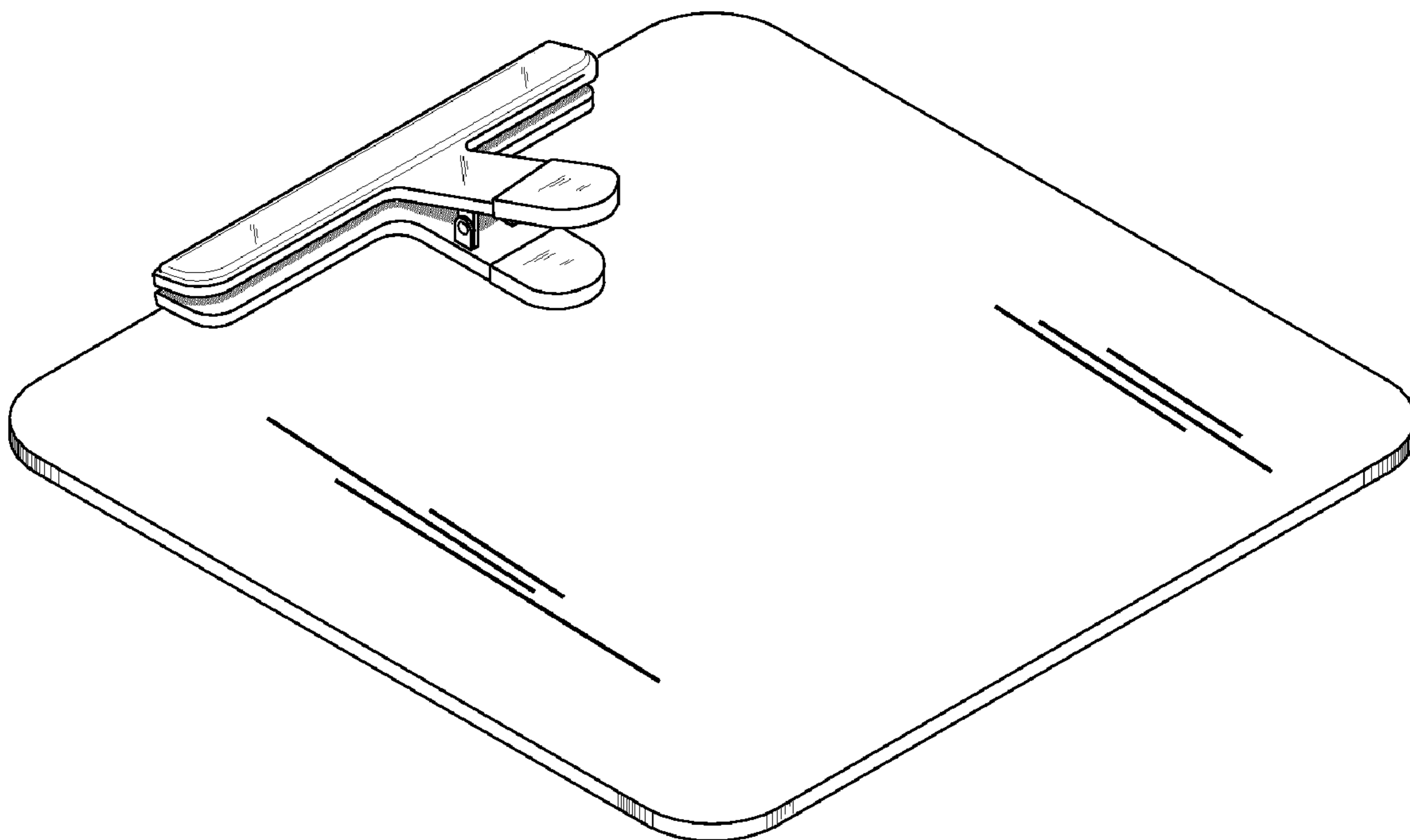
FIG. 3 is a top plan view thereof;

FIG. 4 is a left side view; and,

FIG. 5 is a right side view thereof.

The broken lines in FIG. 3 show lettering and form no part of the claimed design.

**1 Claim, 3 Drawing Sheets**



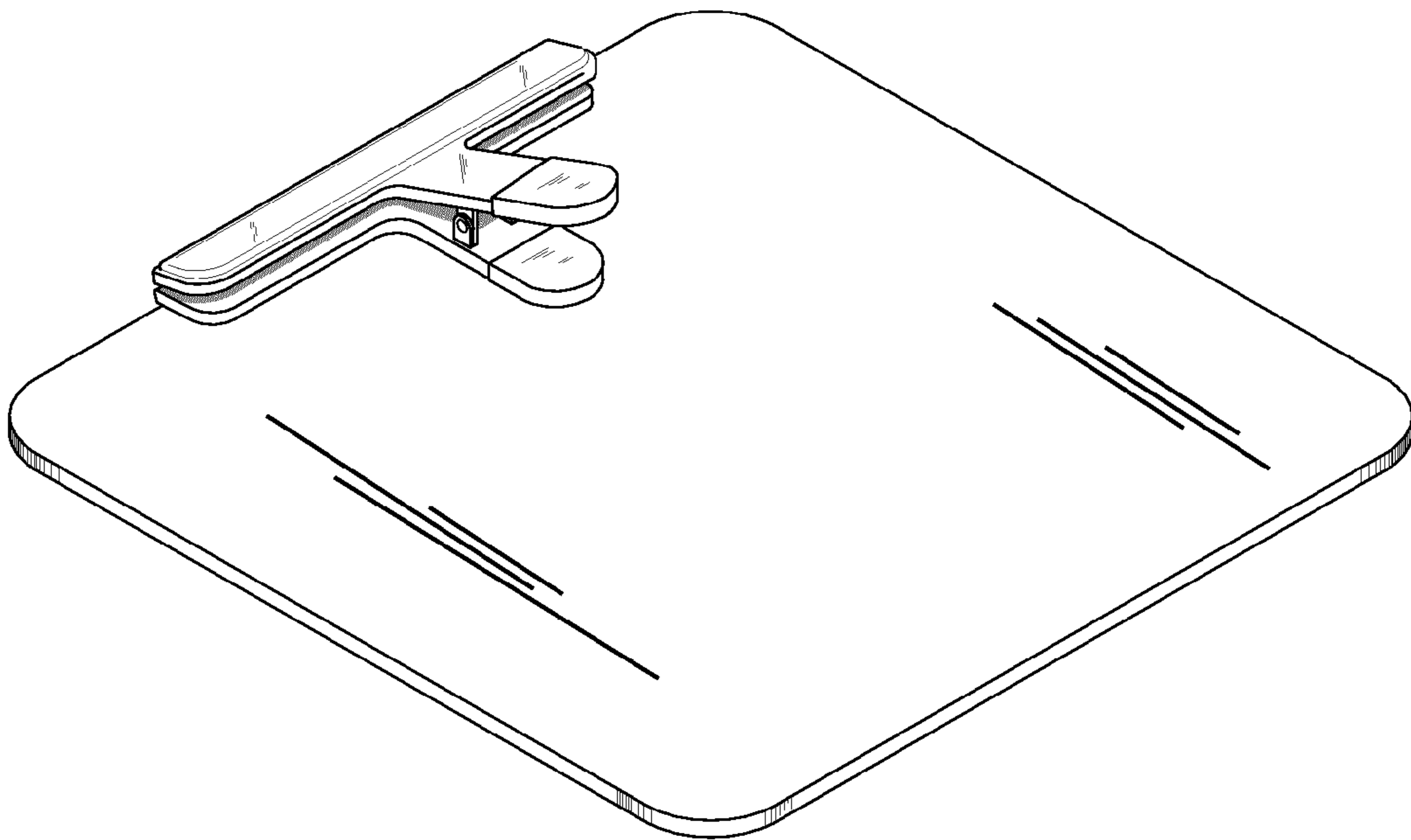


FIG. 1

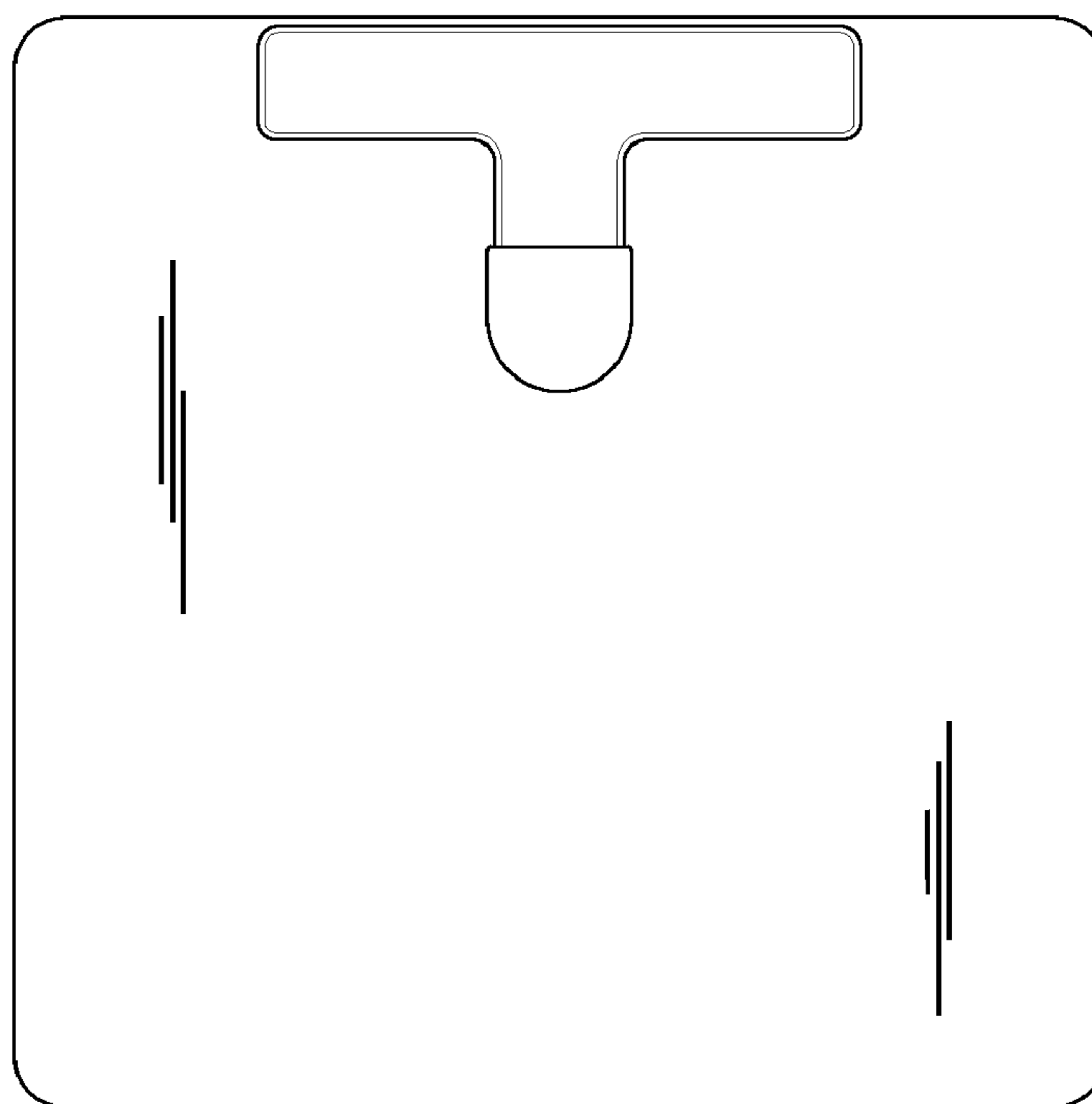


FIG. 2

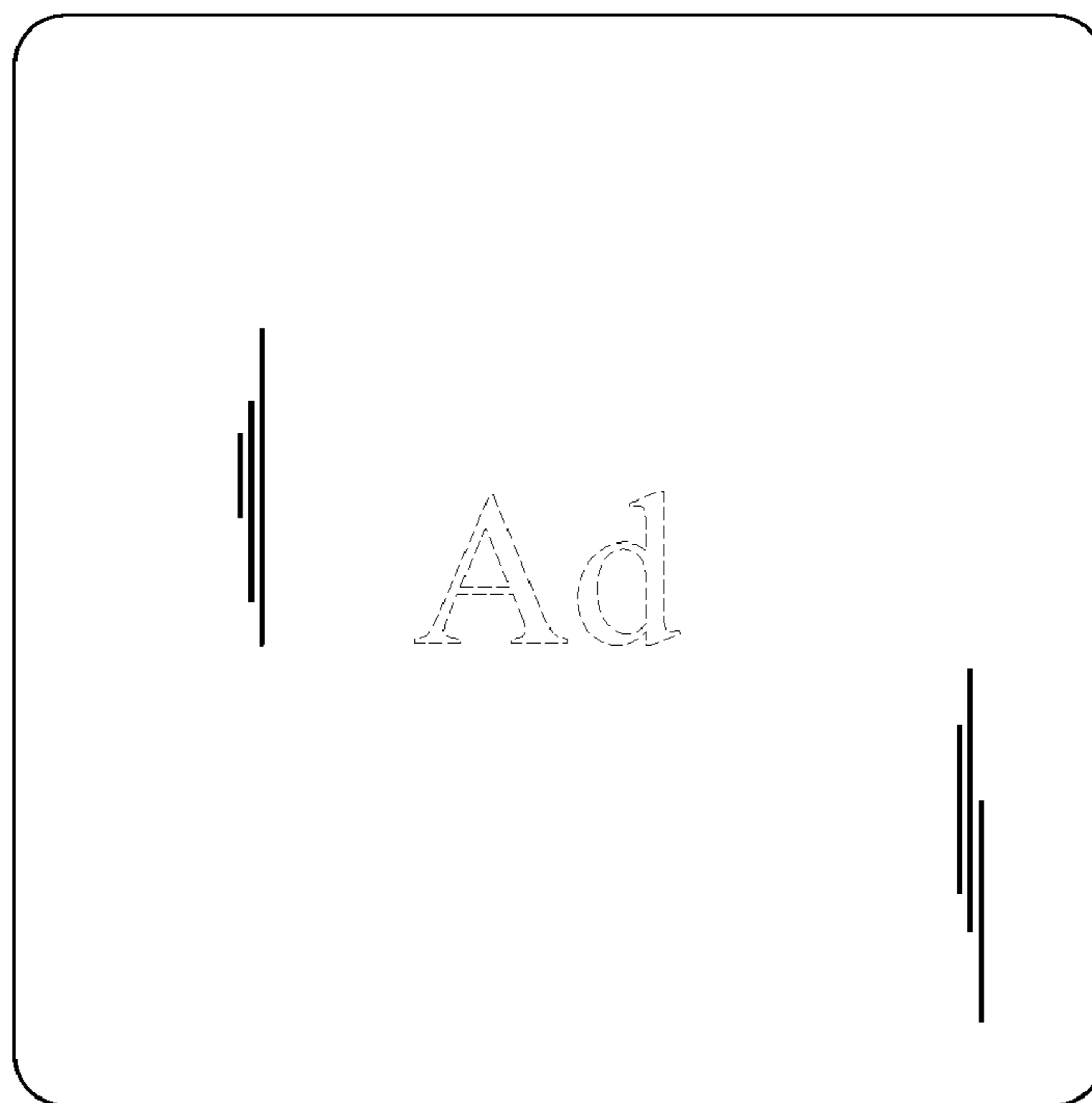


FIG. 3

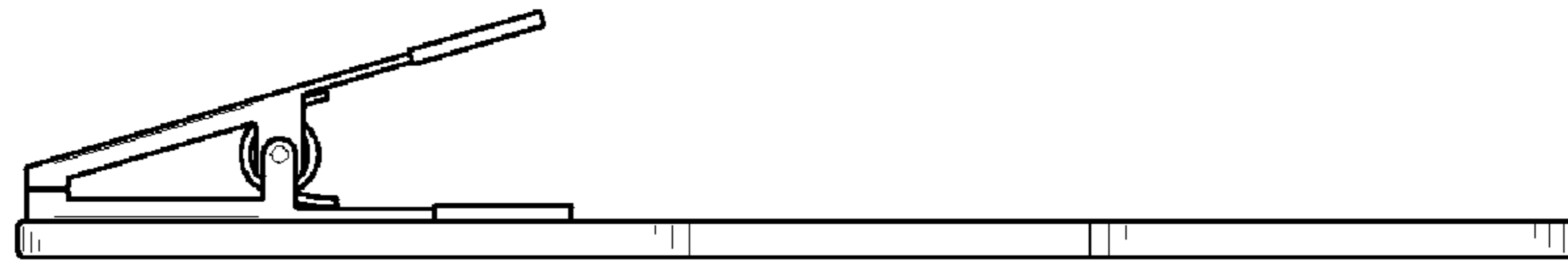


FIG. 4



FIG. 5