

US00D597003S

(12) **United States Design Patent**
Yamazaki et al.

(10) **Patent No.:** **US D597,003 S**
(45) **Date of Patent:** **** Jul. 28, 2009**

(54) **HOOD FOR AN AUTOMOBILE**

(75) Inventors: **Kazuki Yamazaki**, Fujisawa (JP);
Kouichi Ishizuka, Paris (FR); **Takashi Utsunomiya**, Fujisawa (JP); **Randy Rodriguez**, San Diego, CA (US)

(73) Assignee: **Nissan Motor Co., Ltd.**, Yokohama-shi (JP)

(**) Term: **14 Years**

(21) Appl. No.: **29/327,538**

(22) Filed: **Nov. 7, 2008**

(30) **Foreign Application Priority Data**

May 19, 2008 (JP) D2008-012350

(51) **LOC (9) Cl.** **12-16**

(52) **U.S. Cl.** **D12/173**

(58) **Field of Classification Search** D12/173,
D12/196, 86, 90-92; 180/69.21, 69.2, 69.22
See application file for complete search history.

(56) **References Cited**

U.S. PATENT DOCUMENTS

D403,637 S * 1/1999 Abalos et al. D12/173
D496,611 S * 9/2004 Kneefel et al. D12/173

D563,292 S * 3/2008 Platto et al. D12/173
D579,832 S * 11/2008 Opfer et al. D12/173
D583,731 S * 12/2008 Saridakis et al. D12/173

* cited by examiner

Primary Examiner—Melody N Brown
(74) *Attorney, Agent, or Firm*—Foley & Lardner LLP

(57) **CLAIM**

The ornamental design for a hood for an automobile, as shown and described.

DESCRIPTION

FIG. 1 is a perspective view of a hood for an automobile;
FIG. 2 is a top plan view thereof;
FIG. 3 is a front view thereof; and,
FIG. 4 is a right side view thereof, a left side view being a mirror image thereof.

The broken lines showing on the drawing disclosure are for illustrative purposes only and form no part of the claimed design.

1 Claim, 3 Drawing Sheets

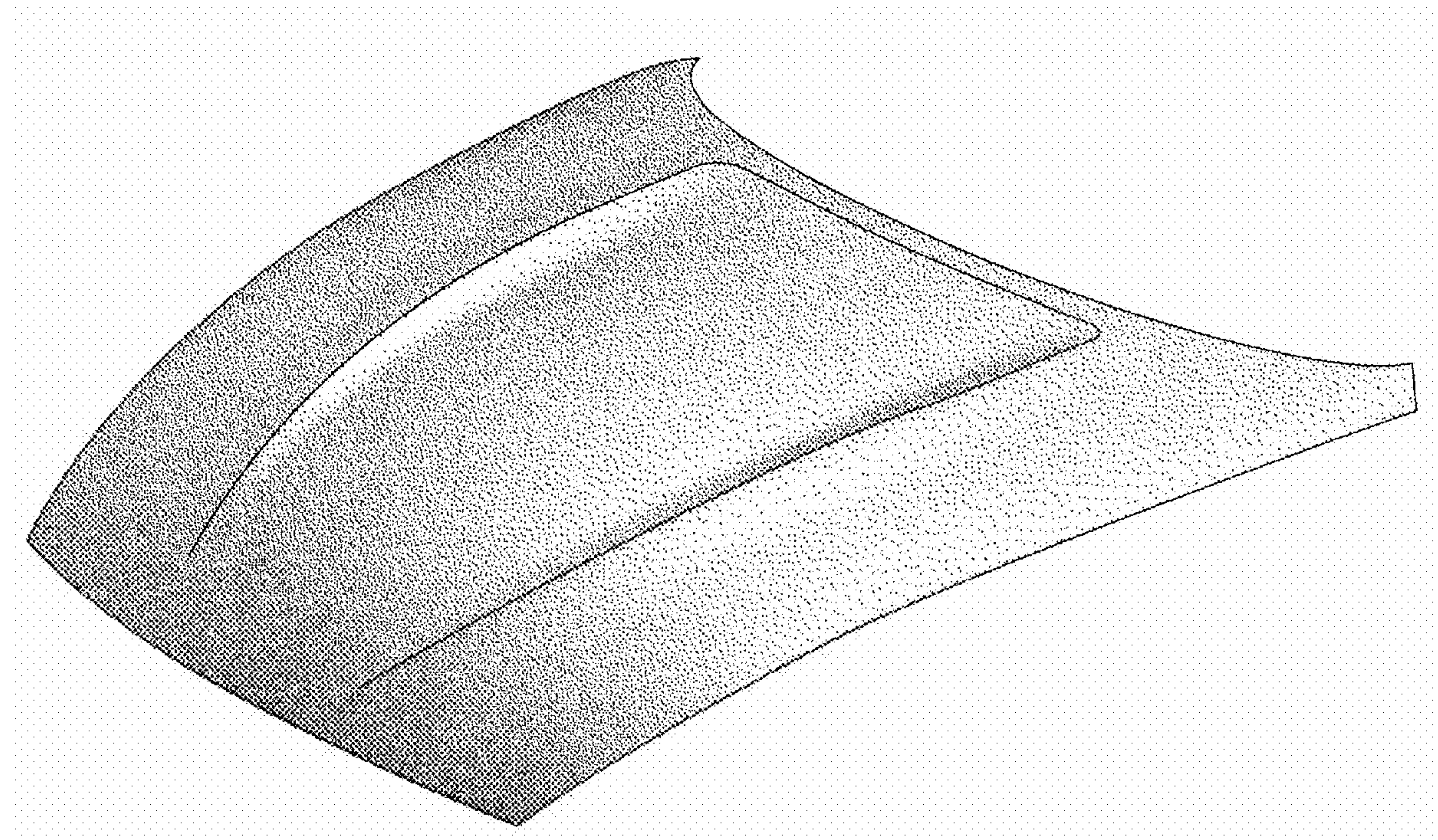


Fig.1

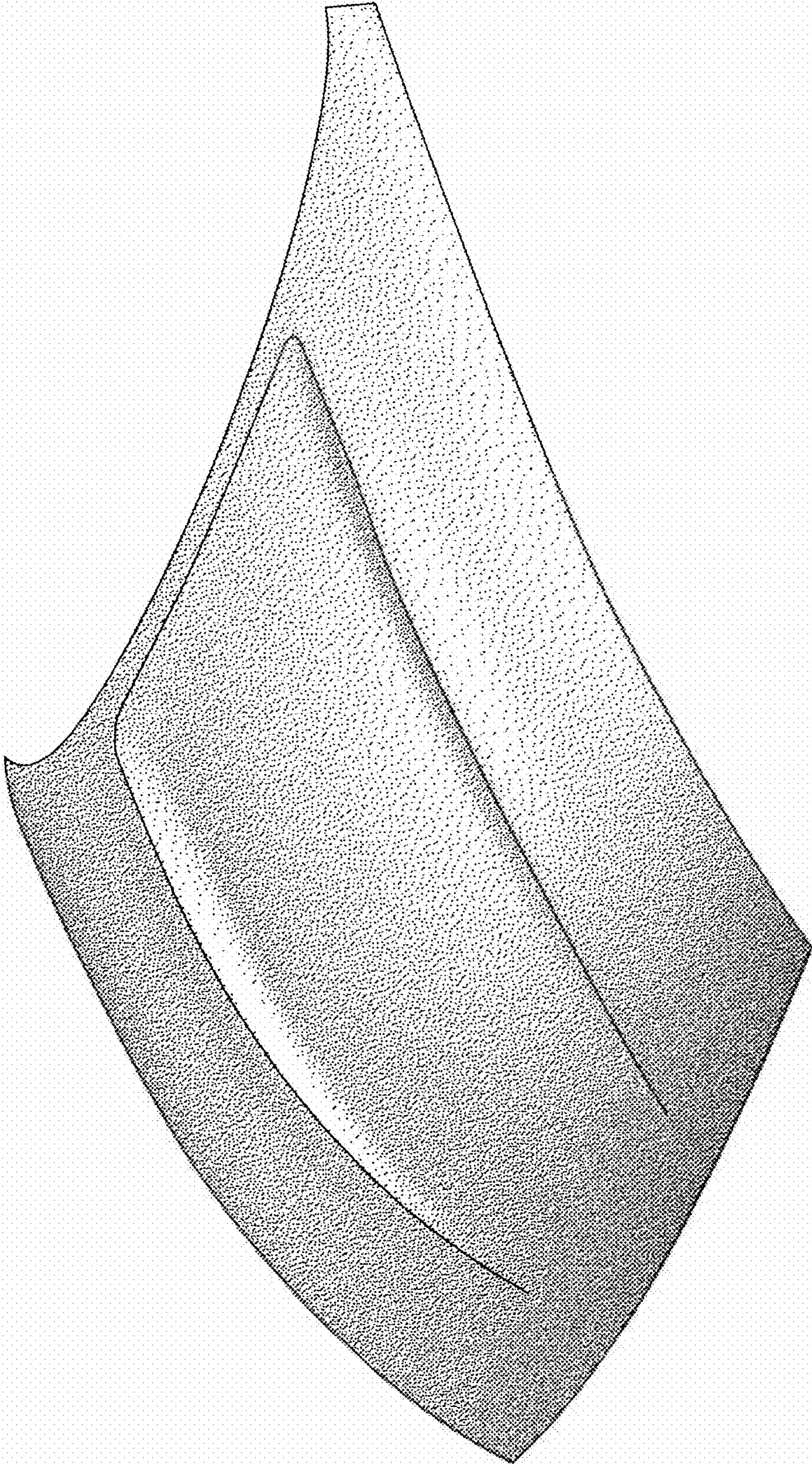


Fig.2

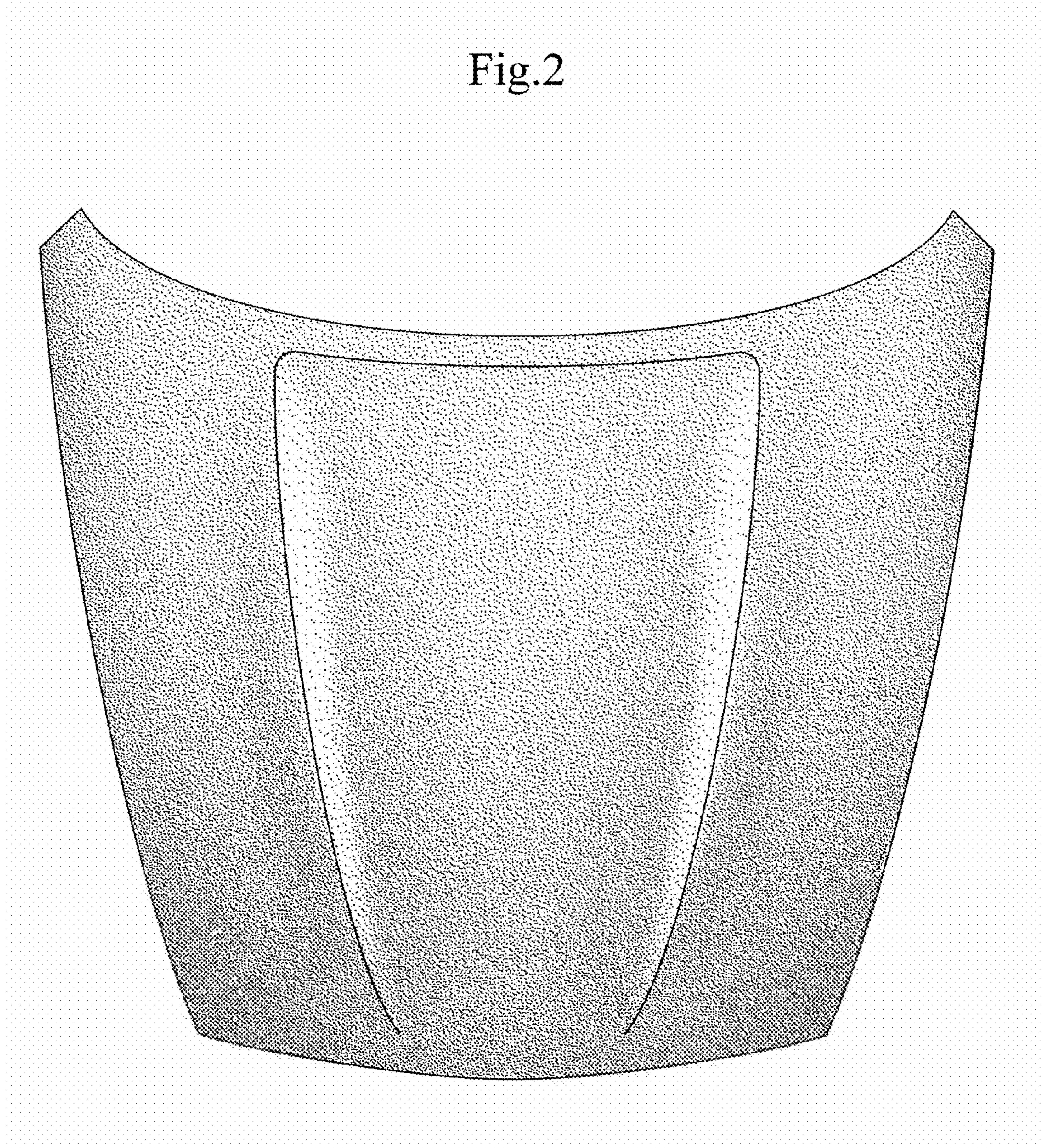


Fig.3

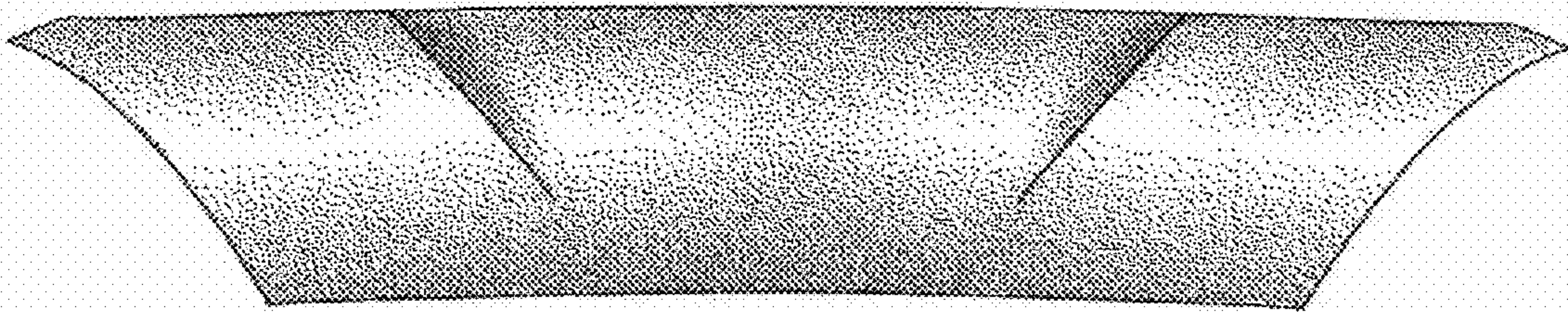


Fig.4

