



US00D596999S

(12) **United States Design Patent**  
**Nakamuta et al.**

(10) **Patent No.:** **US D596,999 S**  
(45) **Date of Patent:** **\*\* Jul. 28, 2009**

(54) **BUMPER FOR MOTOR VEHICLE**

D583,727 S \* 12/2008 Sonoda et al. .... D12/169  
D583,728 S \* 12/2008 Tonello ..... D12/169

(75) Inventors: **Yasushi Nakamuta**, Hiroshima (JP);  
**Masanori Minamisawa**, Hiroshima  
(JP); **Dai Kimura**, Hiroshima (JP);  
**Takafumi Nishimura**, Hiroshima (JP);  
**Kenichi Kuwahara**, Hiroshima (JP);  
**Seiichi Soda**, Hiroshima (JP); **Yasunori**  
**Kawano**, Hiroshima (JP)

FOREIGN PATENT DOCUMENTS

JP D1240130 5/2005  
JP D1257453 12/2005  
JP D. 1329152 S 5/2008  
JP D. 1330785 S 5/2008  
TW D. 120398 12/2007  
TW D. 121816 3/2008

(73) Assignee: **Mazda Motor Corporation** (JP)

OTHER PUBLICATIONS

(\*\*) Term: **14 Years**

Koichi Wataniuki; Notification of Reason(s) for Refusal; D2008-018241; Mar. 2, 2009.

(21) Appl. No.: **29/309,676**

\* cited by examiner

(22) Filed: **Sep. 25, 2008**

*Primary Examiner*—Melody N Brown

(30) **Foreign Application Priority Data**

(74) *Attorney, Agent, or Firm*—Studebaker & Brackett PC;  
Donald R. Studebaker

Jul. 15, 2008 (JP) ..... D2008018241

(57) **CLAIM**

(51) **LOC (9) Cl.** ..... **12-16**

The ornamental design for a bumper for motor vehicle, as shown and described.

(52) **U.S. Cl.** ..... **D12/169**

(58) **Field of Classification Search** ..... D12/169,  
D12/196, 216, 90-92, 86; 180/68.1, 68.6,  
180/180.1, 180.2; 293/102, 105, 112, 113,  
293/115

**DESCRIPTION**

See application file for complete search history.

FIG. 1 is a perspective view of a bumper for motor vehicle;

FIG. 2 is a front view thereof;

FIG. 3 is a rear view thereof;

FIG. 4 is a left side view thereof;

FIG. 5 is a right side view thereof;

FIG. 6 is a top view thereof; and,

FIG. 7 is a bottom view thereof.

(56) **References Cited**

U.S. PATENT DOCUMENTS

D478,028 S \* 8/2003 Chiang ..... D12/169  
D533,820 S 12/2006 Sonoda et al.  
D559,743 S \* 1/2008 Nakamuta et al. .... D12/169  
D563,846 S 3/2008 Suga et al.  
D580,320 S \* 11/2008 Lamm ..... D12/169

**1 Claim, 4 Drawing Sheets**

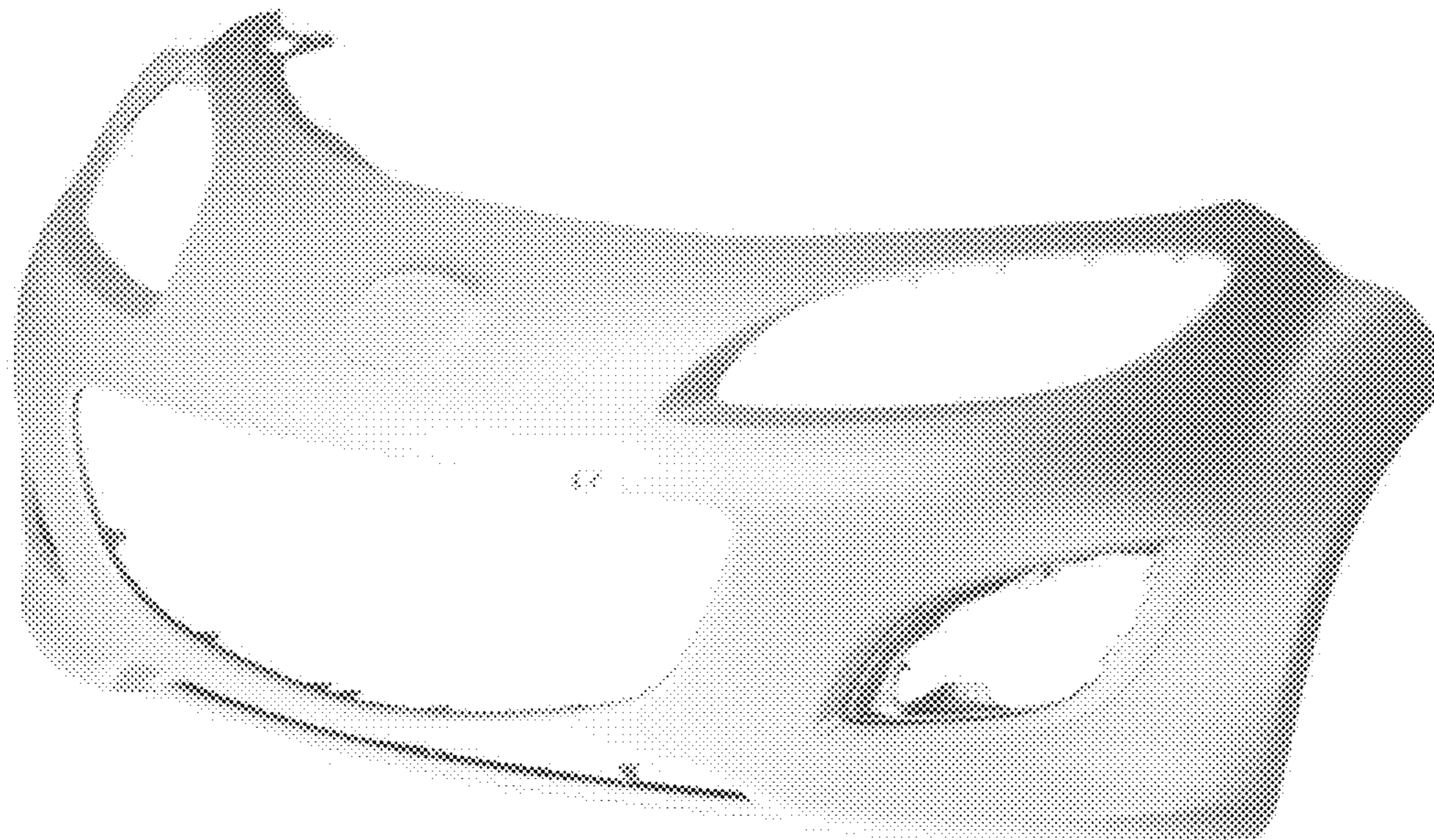


Fig. 1

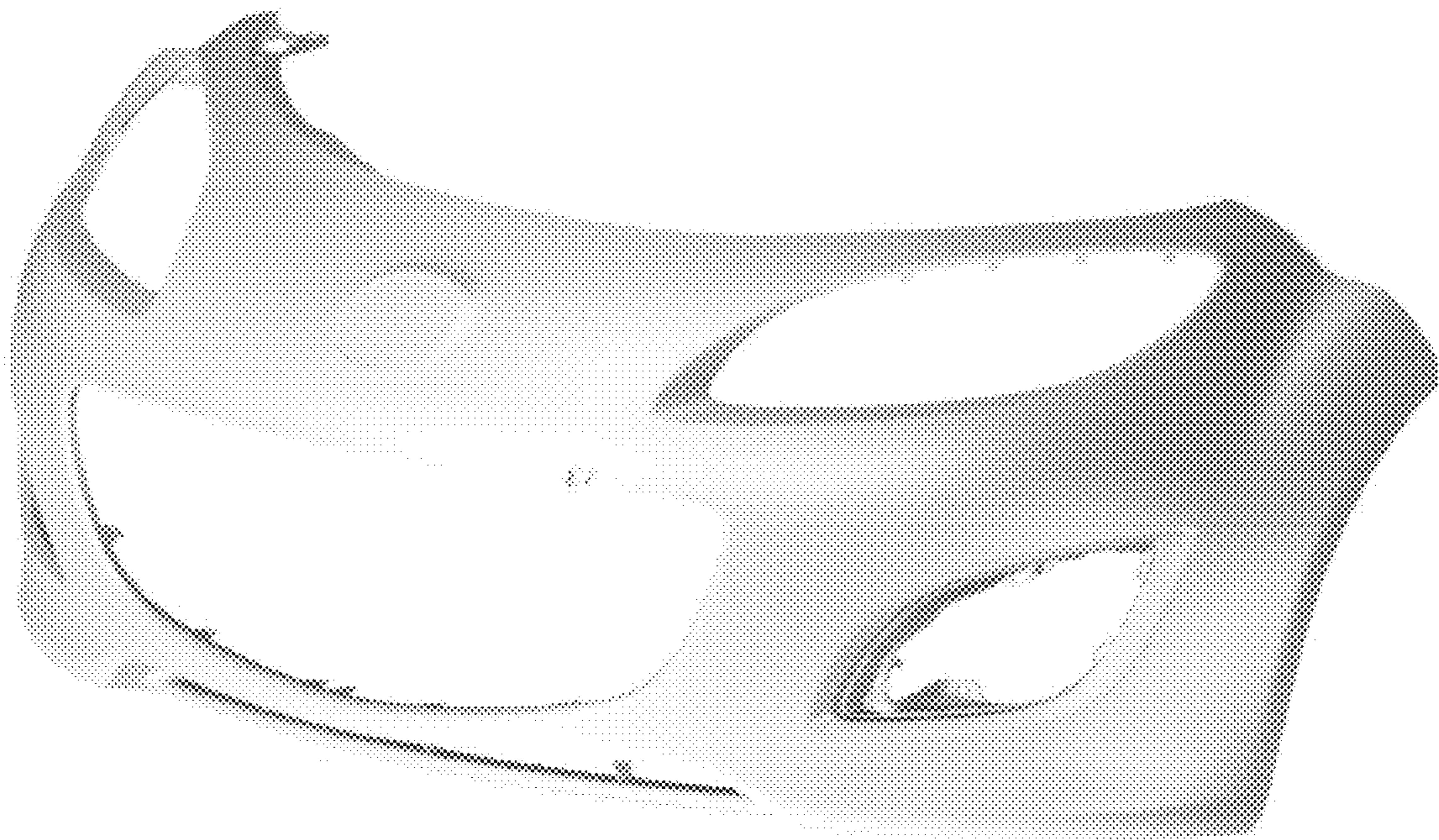


Fig.2

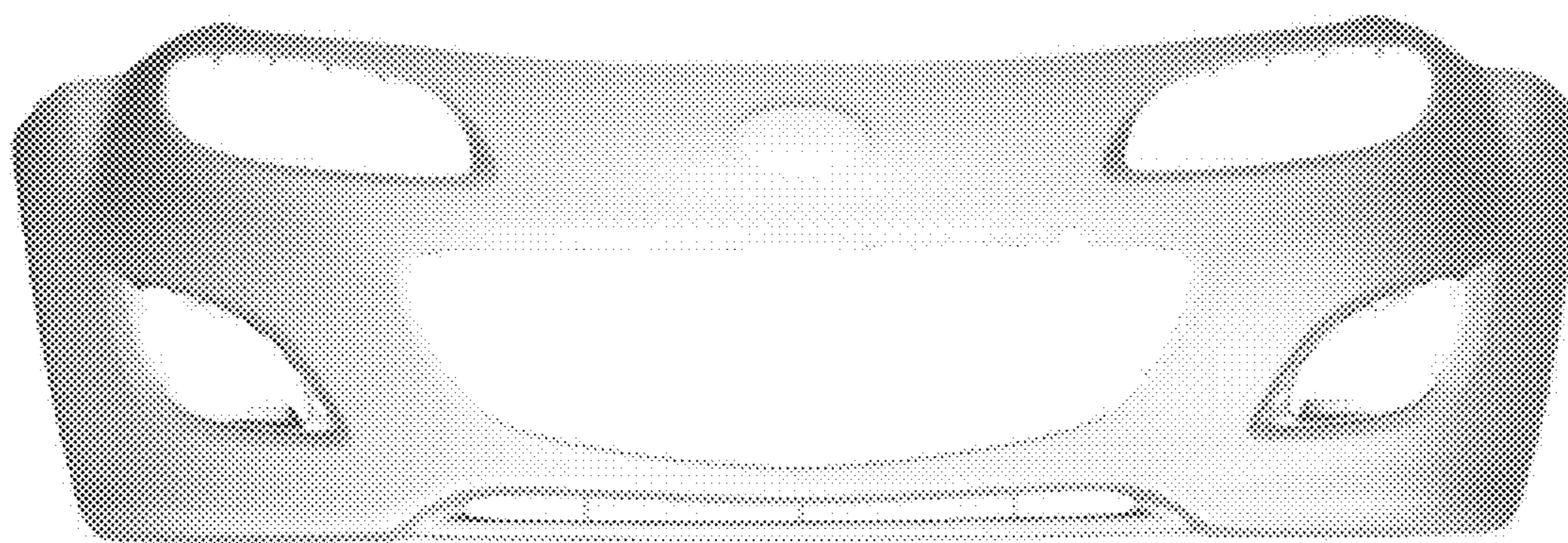


Fig.3

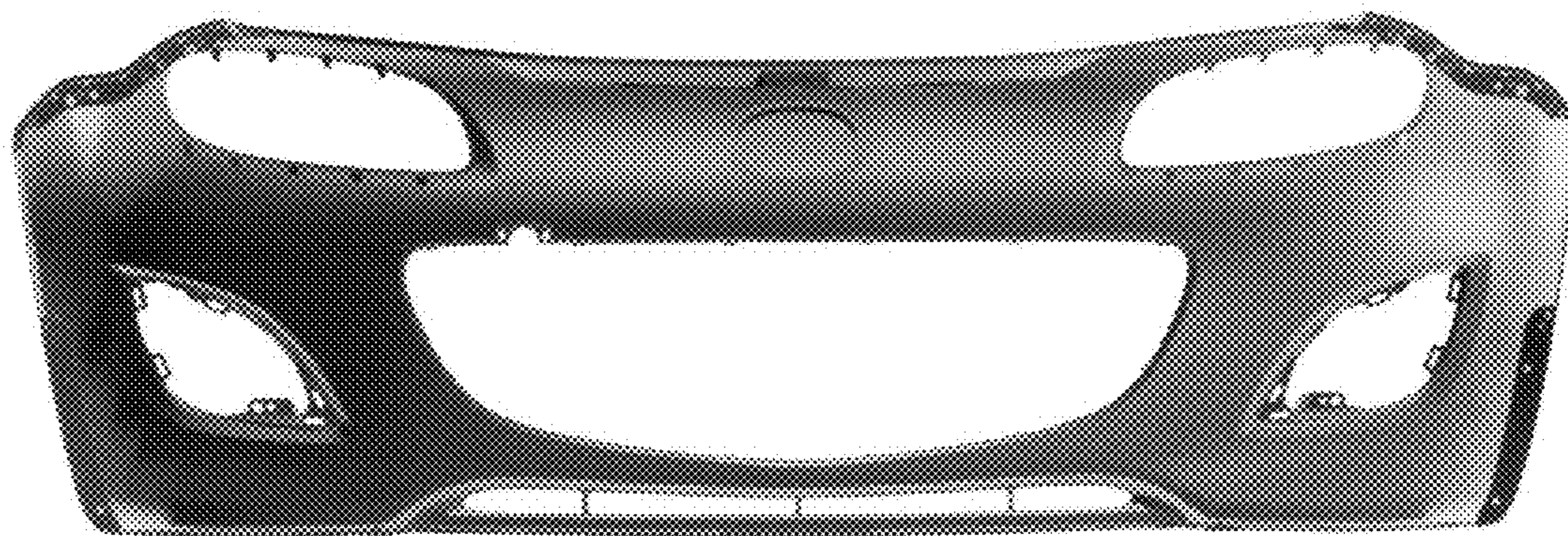


Fig.4

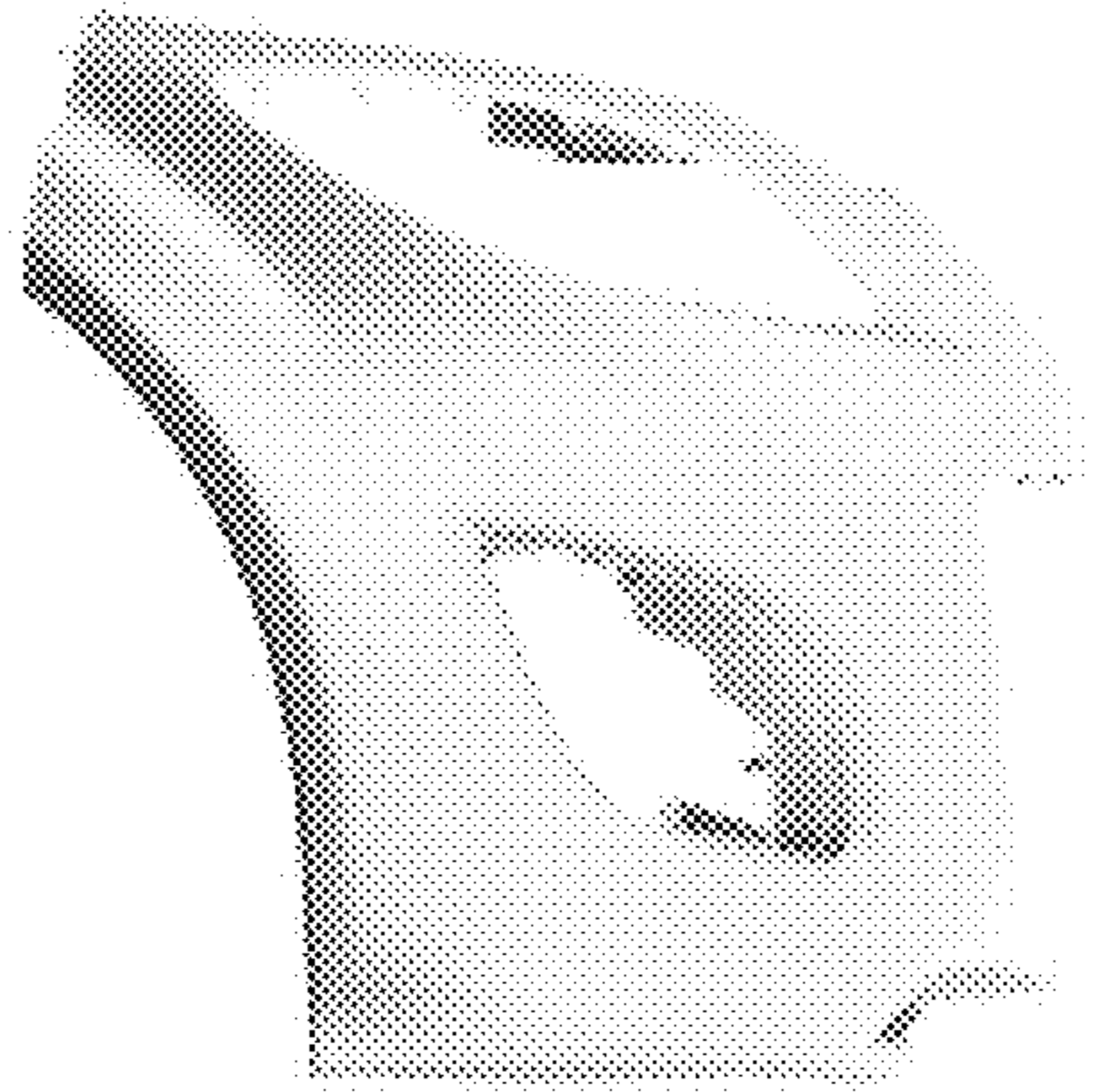


Fig.5

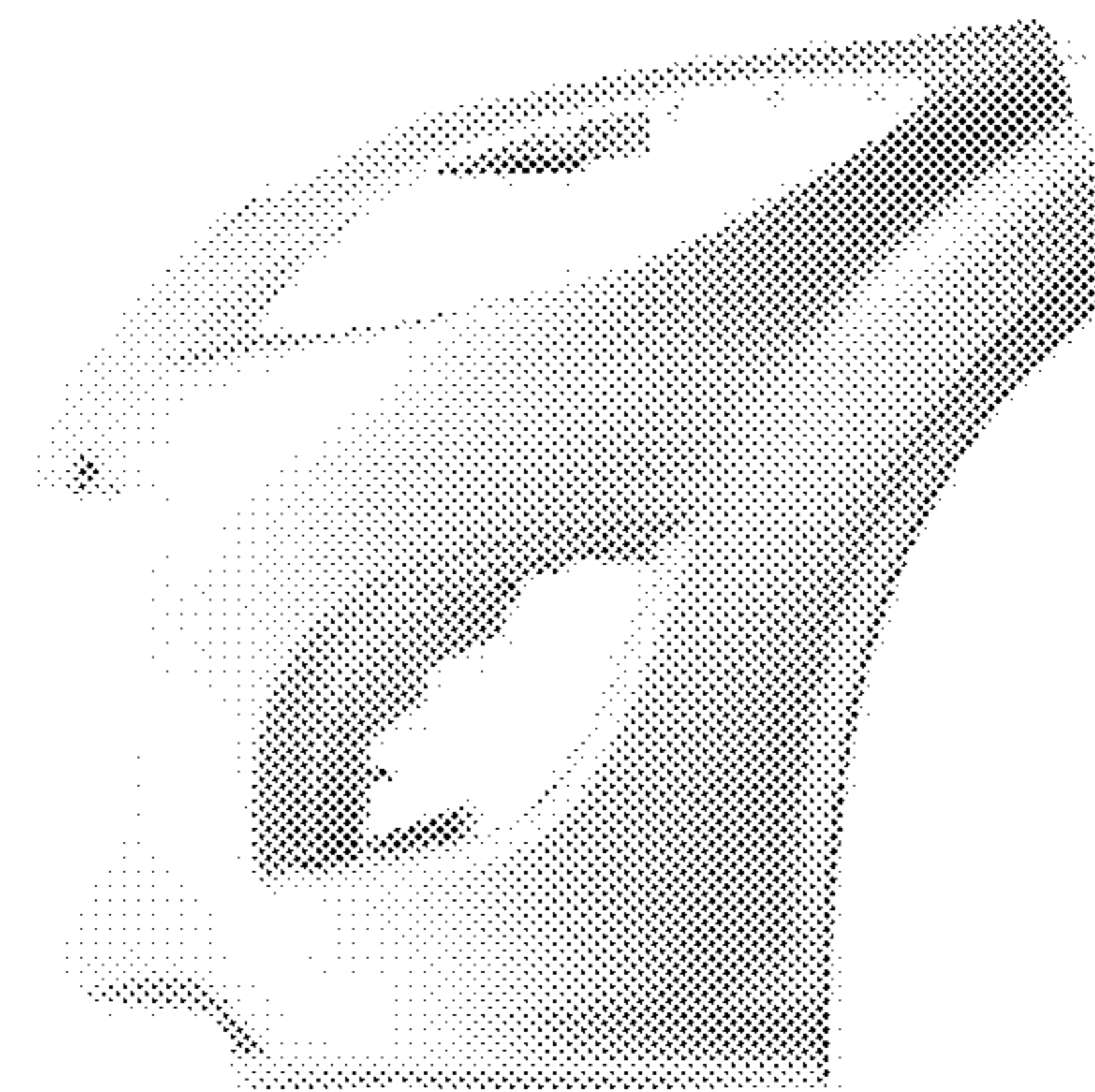


Fig.6

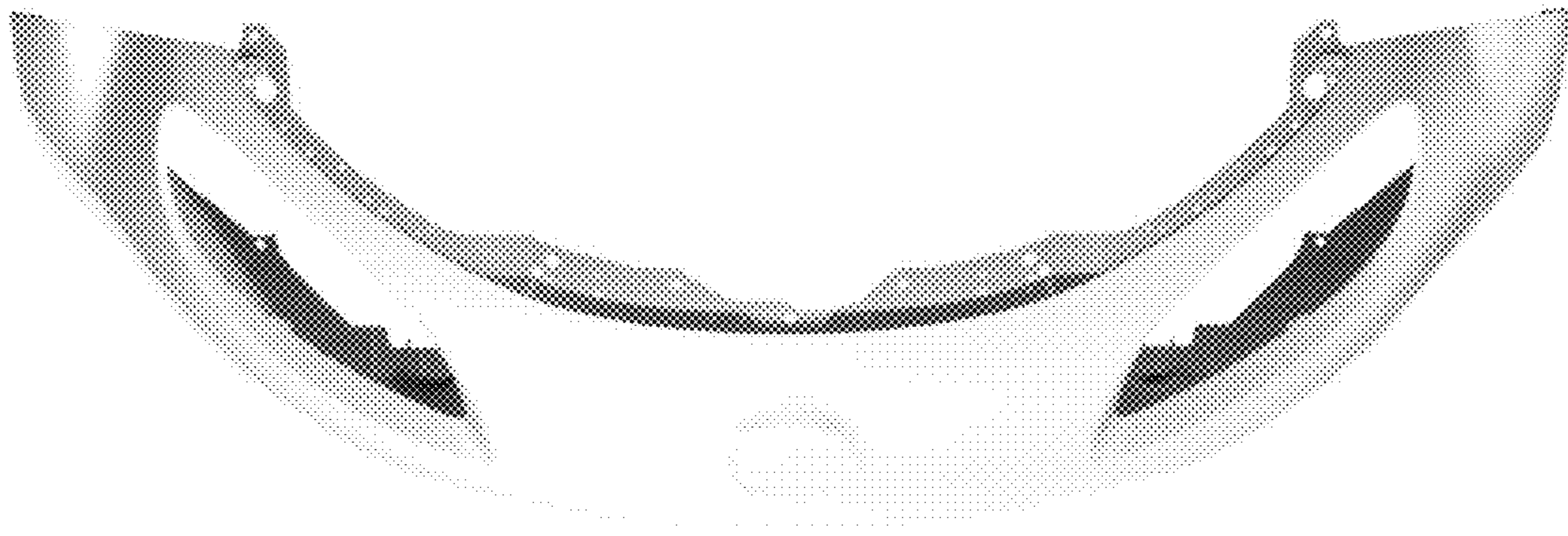


Fig.7

