

US00D596998S

(12) **United States Design Patent**
Hasui

(10) **Patent No.:** **US D596,998 S**
(45) **Date of Patent:** **** Jul. 28, 2009**

(54) **FRONT GRILLE FOR AN AUTOMOBILE**

(75) Inventor: **Kazuhiko Hasui**, Yokosuka (JP)

(73) Assignee: **Toyota Jidosha Kabushiki Kaisha** (JP)

(**) Term: **14 Years**

(21) Appl. No.: **29/325,666**

(22) Filed: **Oct. 3, 2008**

(51) **LOC (9) Cl.** **12-16**

(52) **U.S. Cl.** **D12/163**

(58) **Field of Classification Search** D12/163,
D12/171, 196, 216, 90-92, 86; 180/68.1,
180/68.6; 296/193.11

See application file for complete search history.

(56) **References Cited**

U.S. PATENT DOCUMENTS

D535,224 S *	1/2007	Kubota et al.	D12/163
D558,102 S *	12/2007	Lau et al.	D12/163
D558,103 S *	12/2007	Bucher et al.	D12/163
D578,937 S *	10/2008	Hayashi et al.	D12/163
D580,308 S *	11/2008	Ebel et al.	D12/163
D587,636 S *	3/2009	Kanno et al.	D12/163

OTHER PUBLICATIONS

Toyota Corolla Axio Luxel, Brochure of Corolla Axio Luxel, Mar. 2008, Toyota Jidosha Kabushiki Kaisha.

Lexus GS, Brochure of Lexus GS, Mar. 2006, Toyota Jidosha Kabushiki Kaisha.

* cited by examiner

Primary Examiner—Melody N Brown

(74) *Attorney, Agent, or Firm*—SAIDMAN DesignLaw Group

(57) **CLAIM**

The ornamental design for a front grille for an automobile, as shown and described.

DESCRIPTION

FIG. 1 is a perspective view of a front grille for an automobile showing my new design;

FIG. 2 is a front view thereof;

FIG. 3 is a rear view thereof;

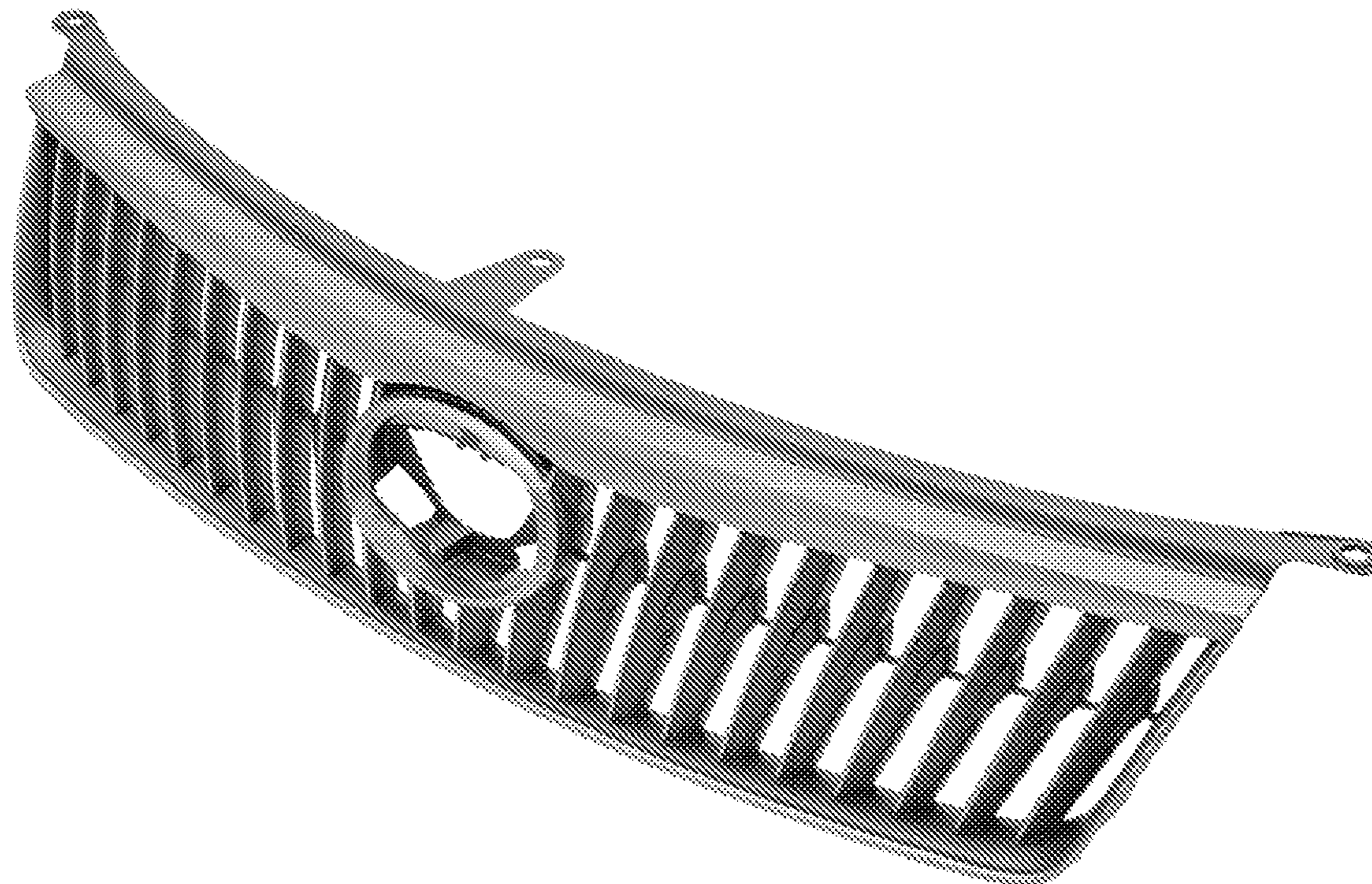
FIG. 4 is a top view thereof;

FIG. 5 is a bottom view thereof;

FIG. 6 is a right-side thereof; and,

FIG. 7 is a left-side view thereof.

1 Claim, 2 Drawing Sheets



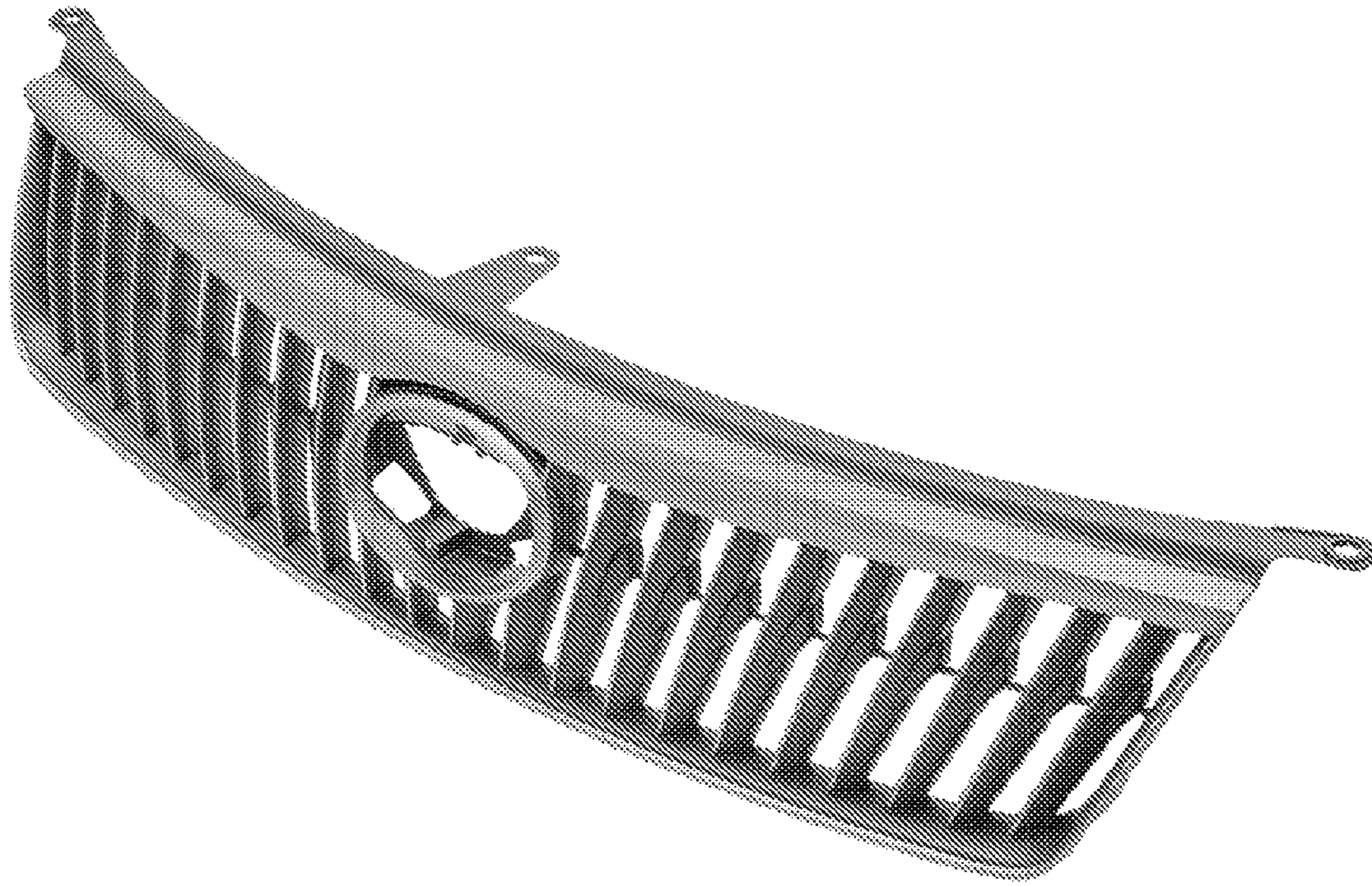


Fig. 1

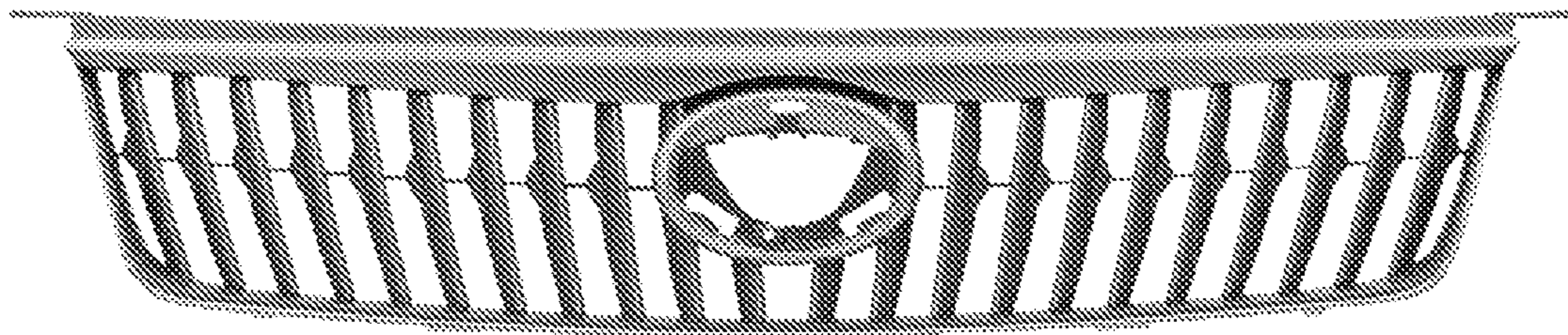


Fig. 2

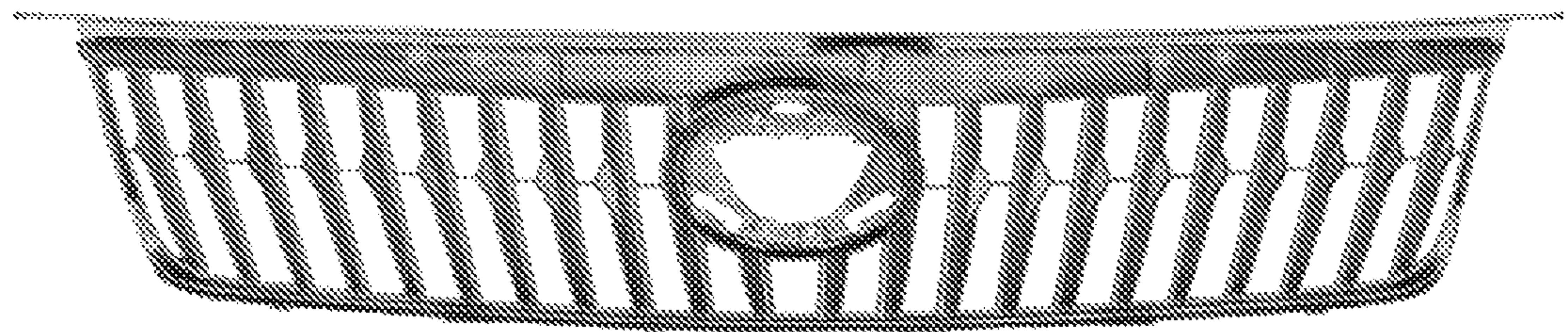


Fig. 3

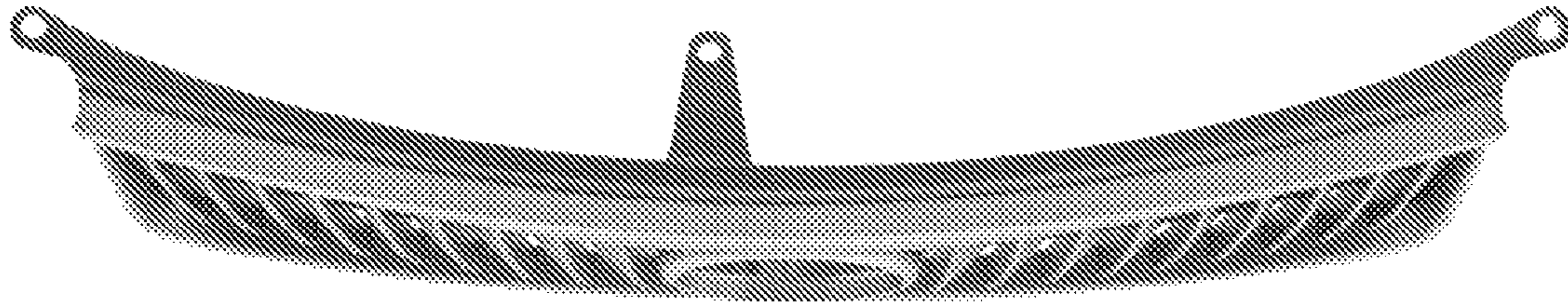


Fig. 4

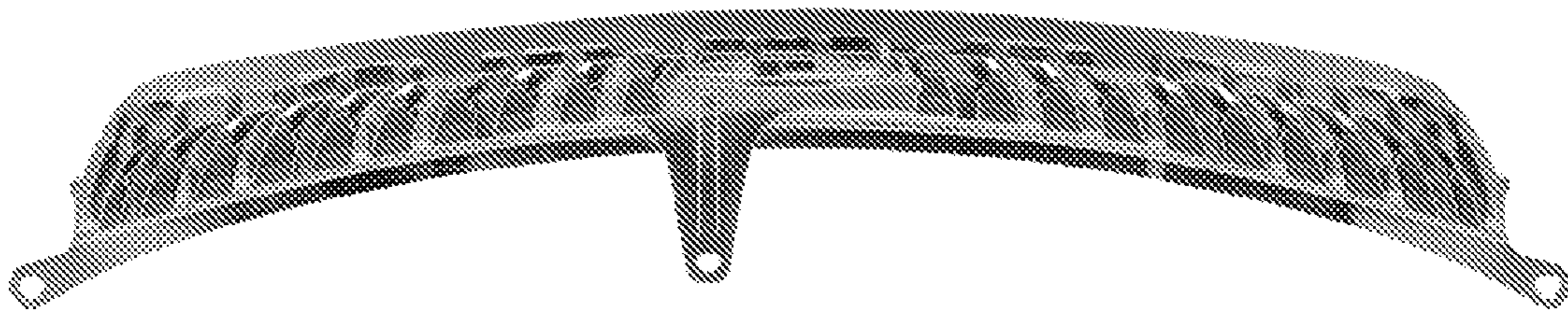


Fig. 5

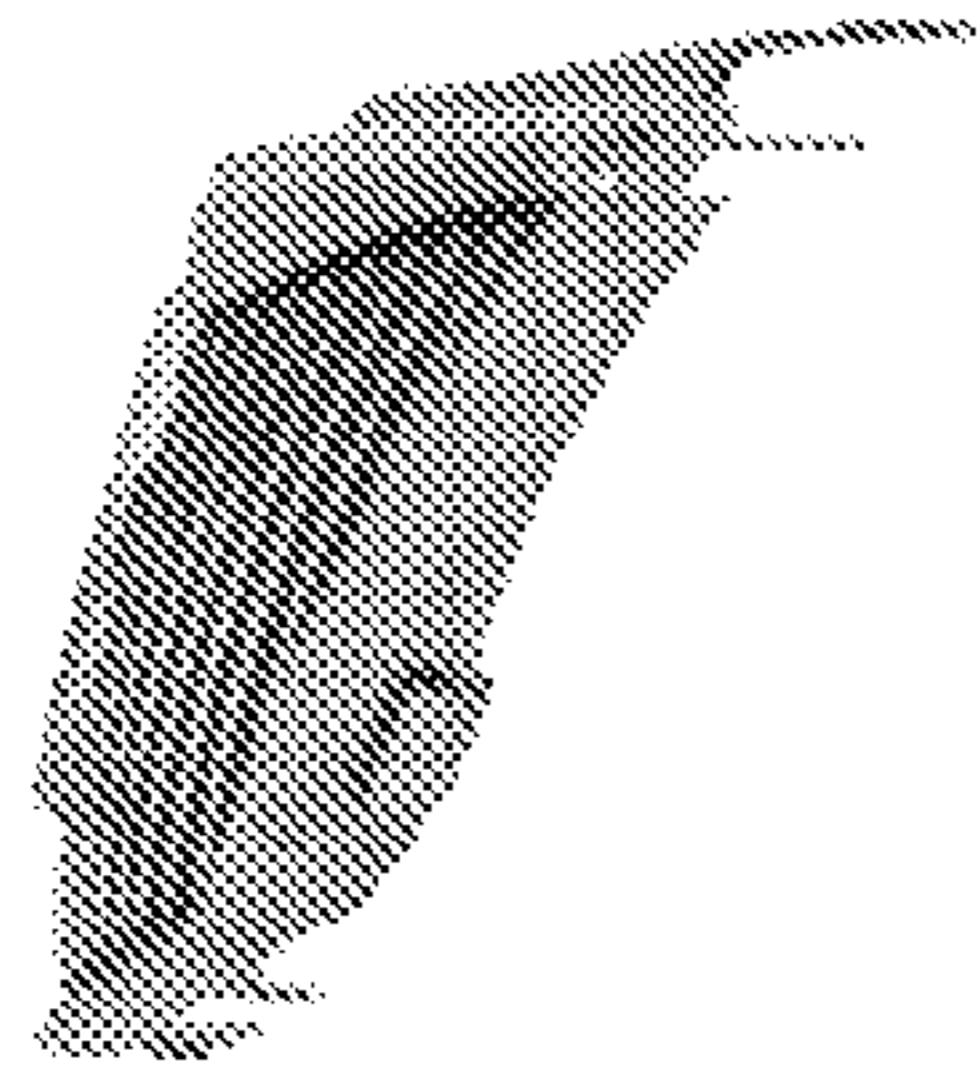


Fig. 6

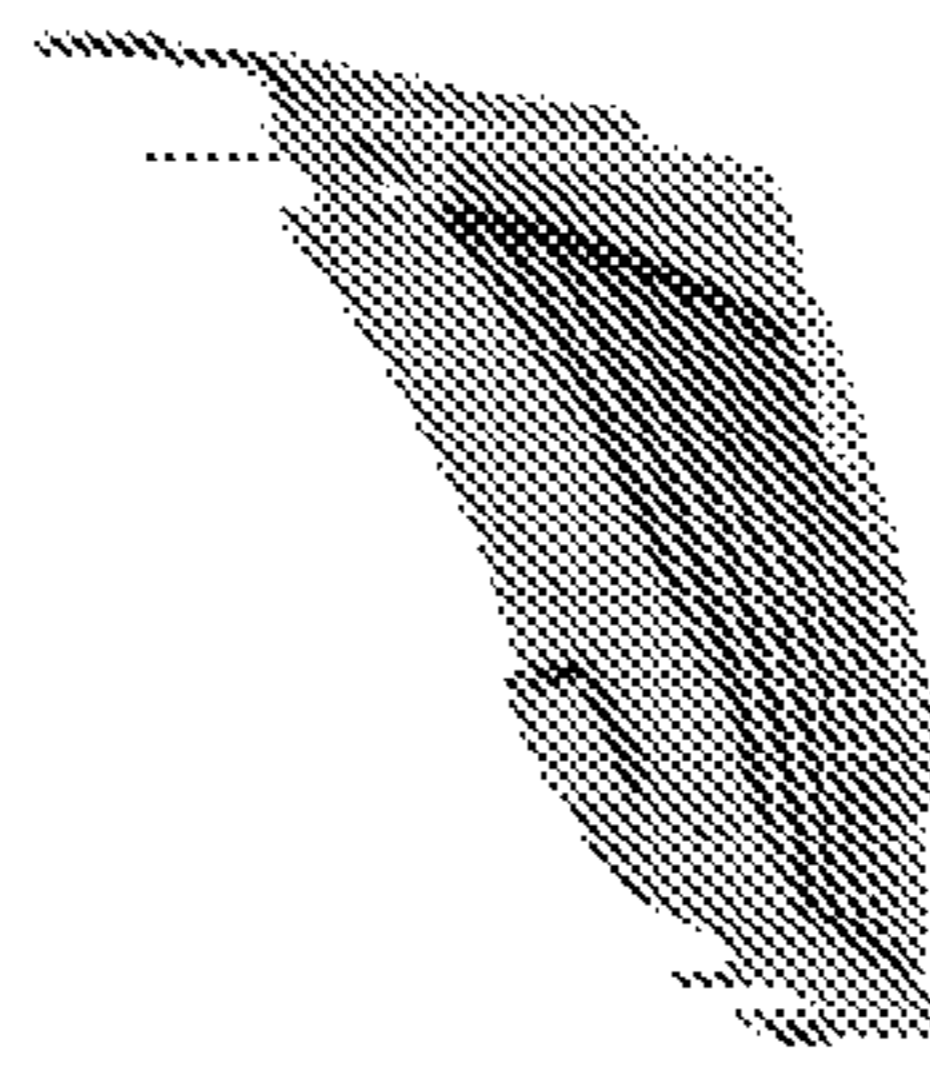


Fig. 7