



US00D596997S

(12) **United States Design Patent**
Yeh

(10) **Patent No.:** **US D596,997 S**
(45) **Date of Patent:** **** Jul. 28, 2009**

(54) **BABY STROLLER**

D532,721 S * 11/2006 Wu et al. D12/129

(75) Inventor: **Po-Shiung Yeh**, Tainan County (TW)

* cited by examiner

(73) Assignee: **Golden Point Marketing Limited**,
Tortola (VG)

Primary Examiner—Ian Simmons
Assistant Examiner—Maurice Stevens
(74) *Attorney, Agent, or Firm*—Muncy, Geissler, Olds &
Lowe, PLLC

(**) Term: **14 Years**

(21) Appl. No.: **29/272,912**

(57) **CLAIM**

(22) Filed: **Feb. 22, 2007**

The ornamental design for a baby stroller, as shown and described.

(30) **Foreign Application Priority Data**

Sep. 29, 2006 (TW) 95305453

DESCRIPTION

(51) **LOC (9) Cl.** **12-12**

(52) **U.S. Cl.** **D12/129**

(58) **Field of Classification Search** D12/129–133;
280/30, 36, 38, 42, 47, 641, 643, 650, 658
See application file for complete search history.

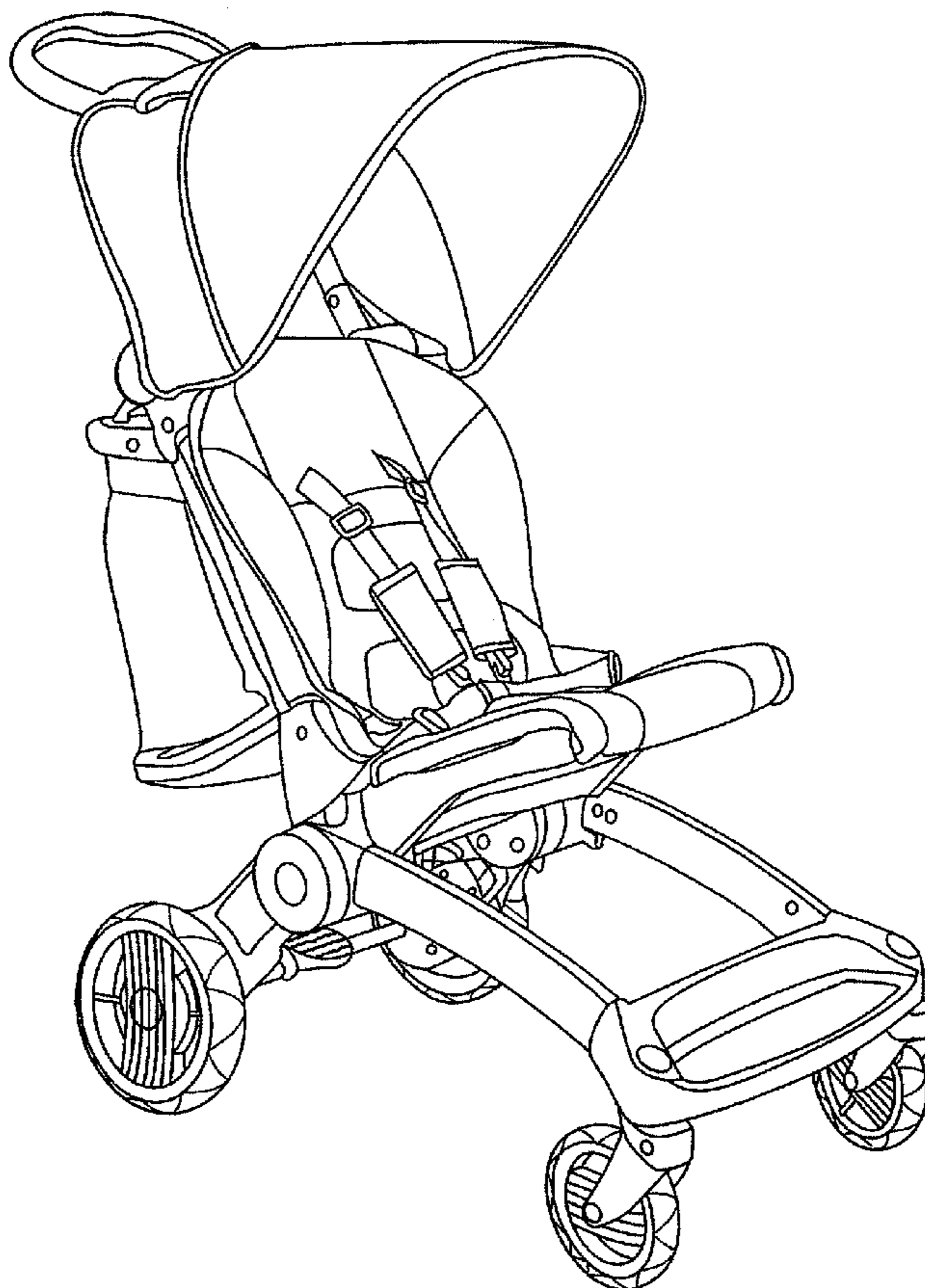
FIG. 1 is a front, right perspective view of a baby stroller showing my new design;
FIG. 2 is a front elevational view thereof;
FIG. 3 is a rear elevational view thereof;
FIG. 4 is a left side view thereof;
FIG. 5 is a right side view thereof;
FIG. 6 is a top plan view thereof;
FIG. 7 is a bottom plan view thereof; and,
FIG. 8 is a rear, left perspective operational view thereof.

(56) **References Cited**

U.S. PATENT DOCUMENTS

- D325,894 S * 5/1992 Kato et al. D12/129
- D345,128 S * 3/1994 Kassai D12/129
- D408,335 S * 4/1999 Eyman et al. D12/129
- D510,549 S * 10/2005 Kassai et al. D12/129

1 Claim, 8 Drawing Sheets



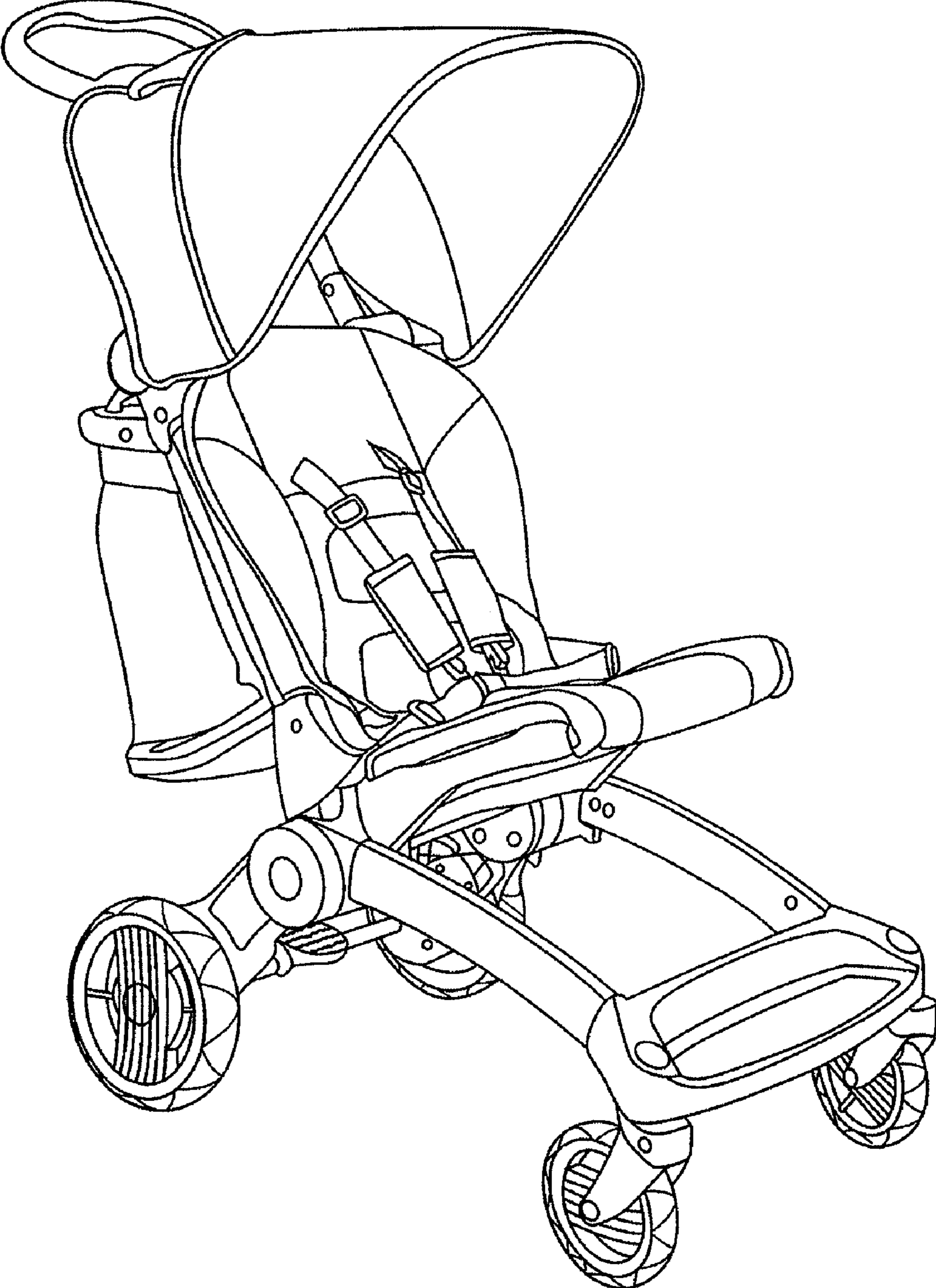


FIG. 1

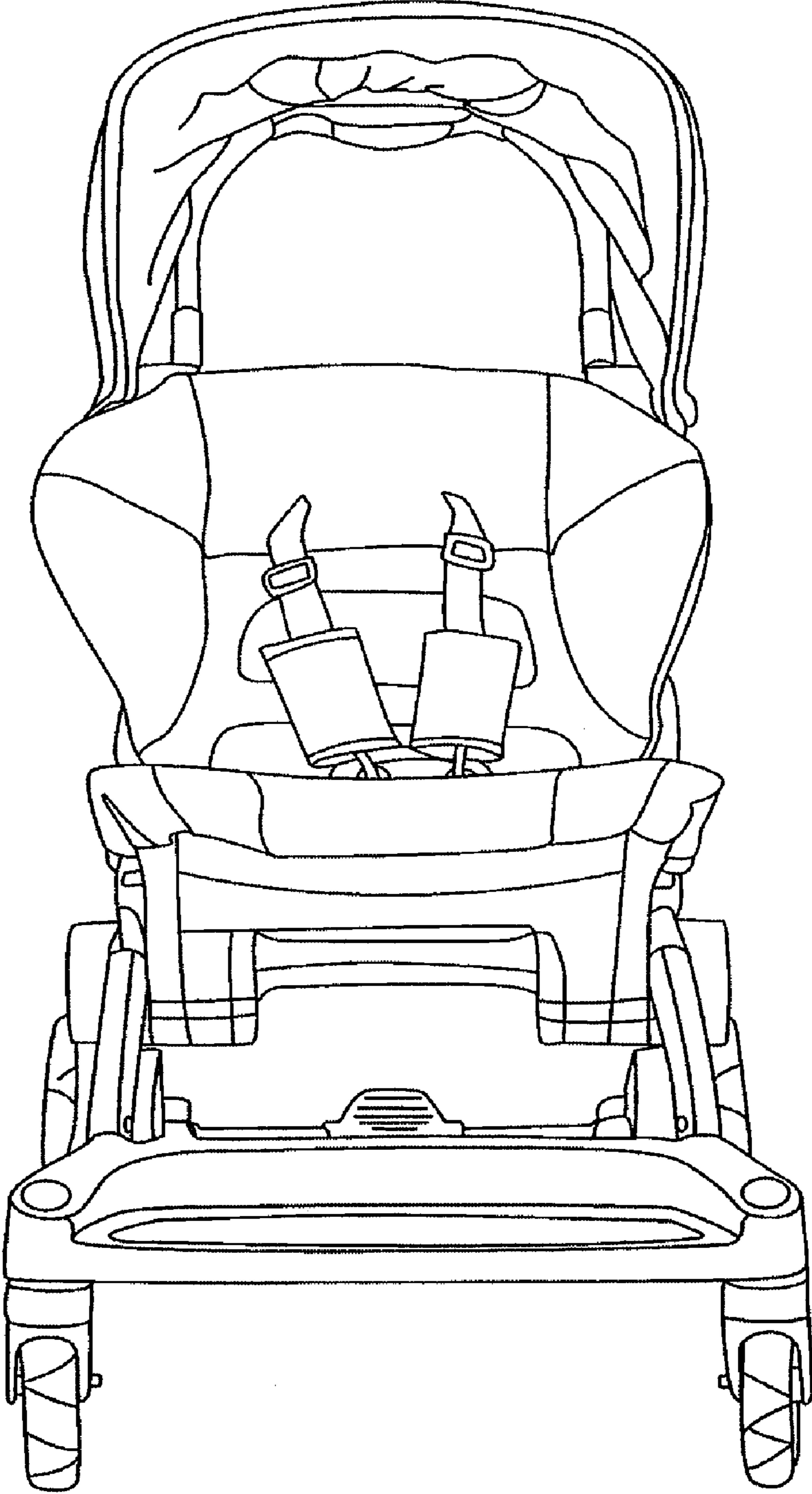


FIG. 2

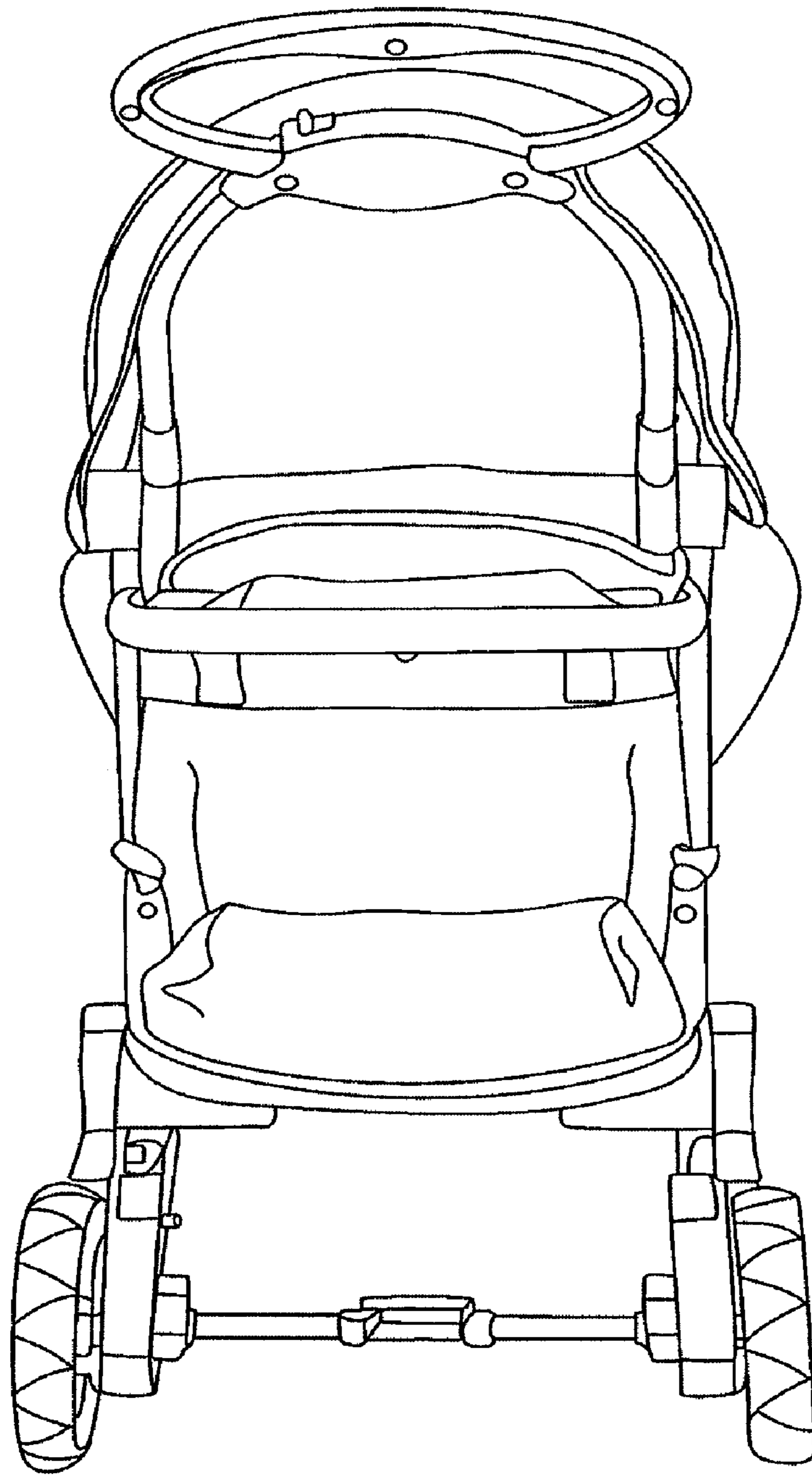


FIG. 3

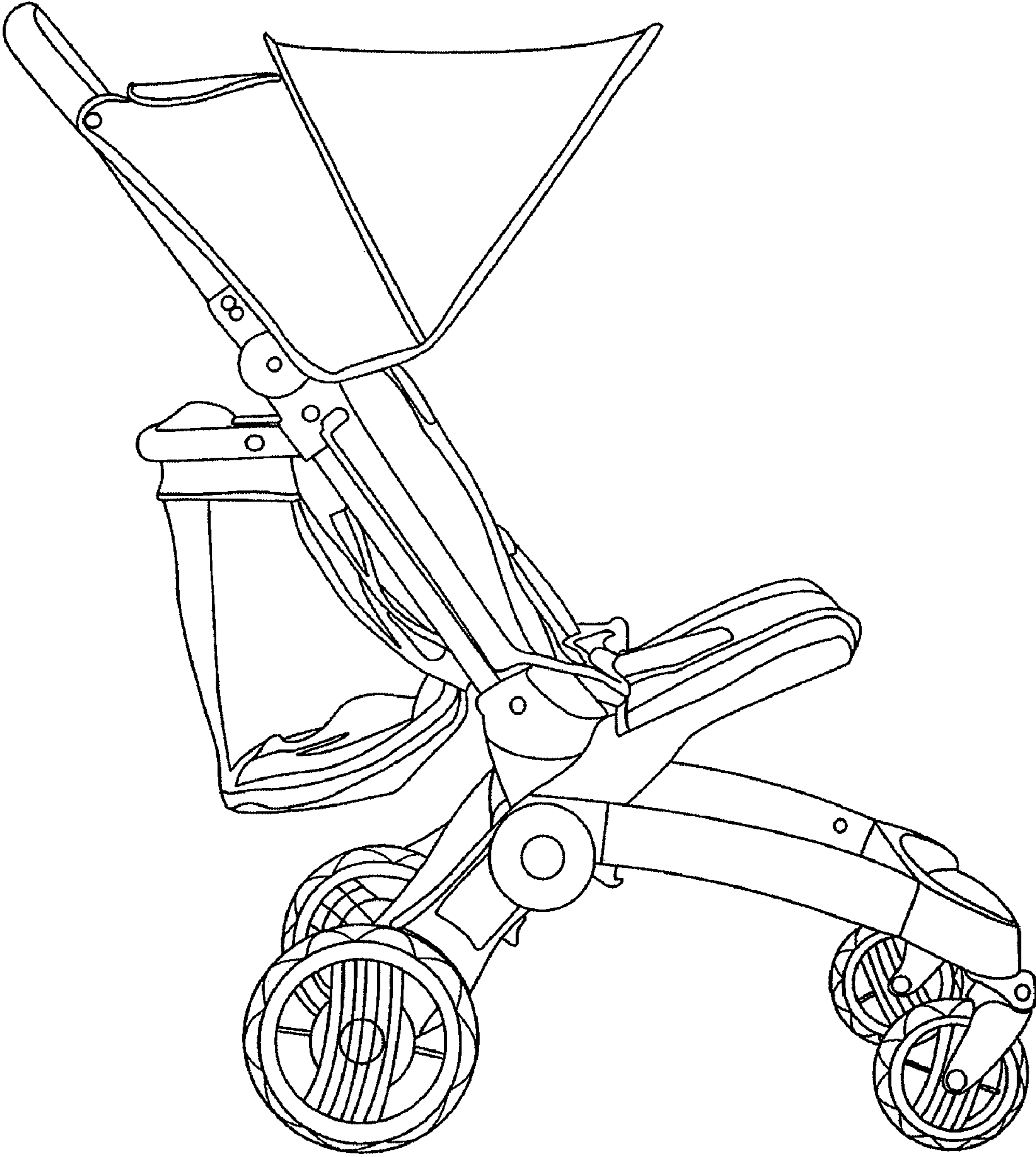


FIG. 4

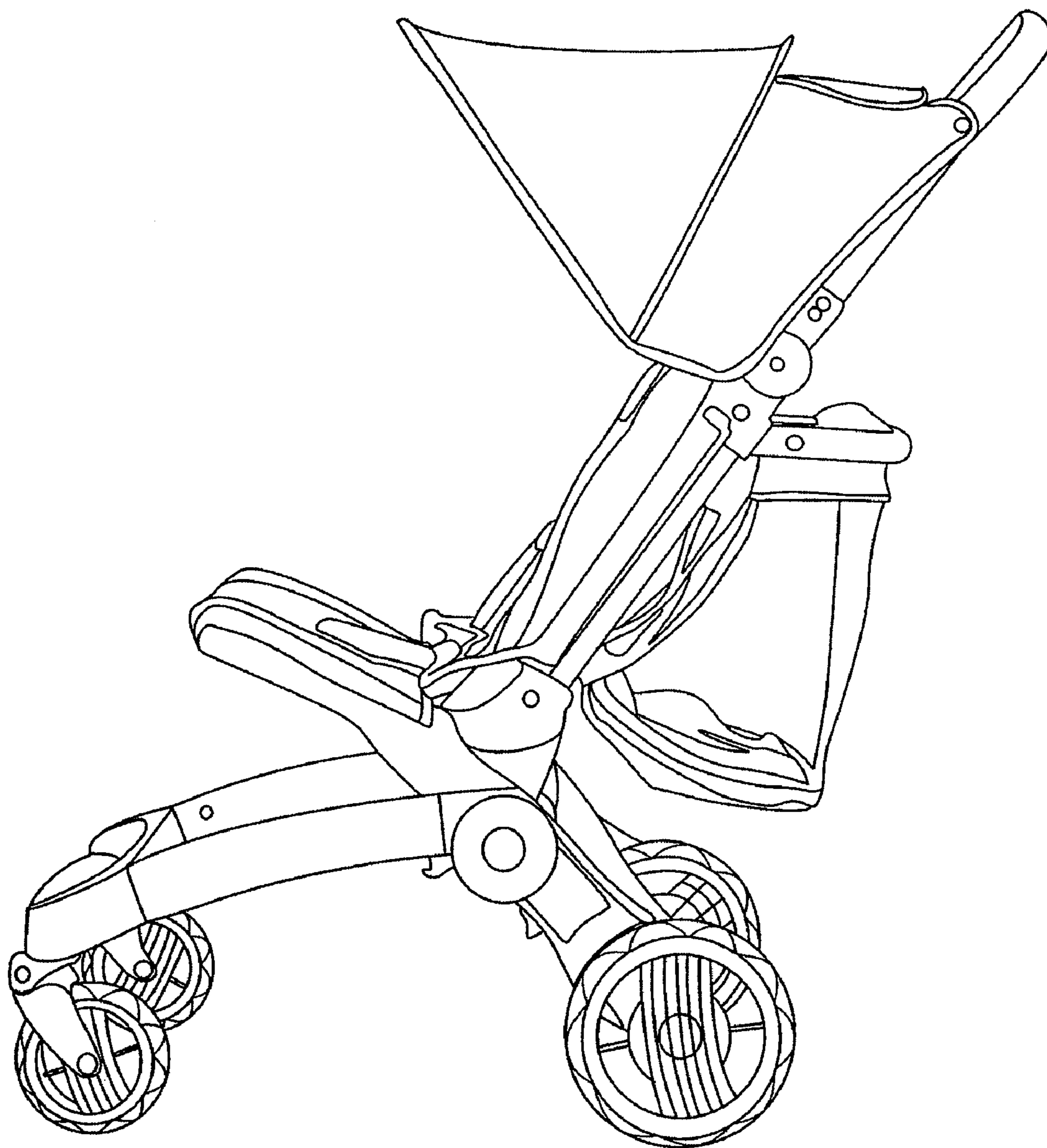


FIG. 5

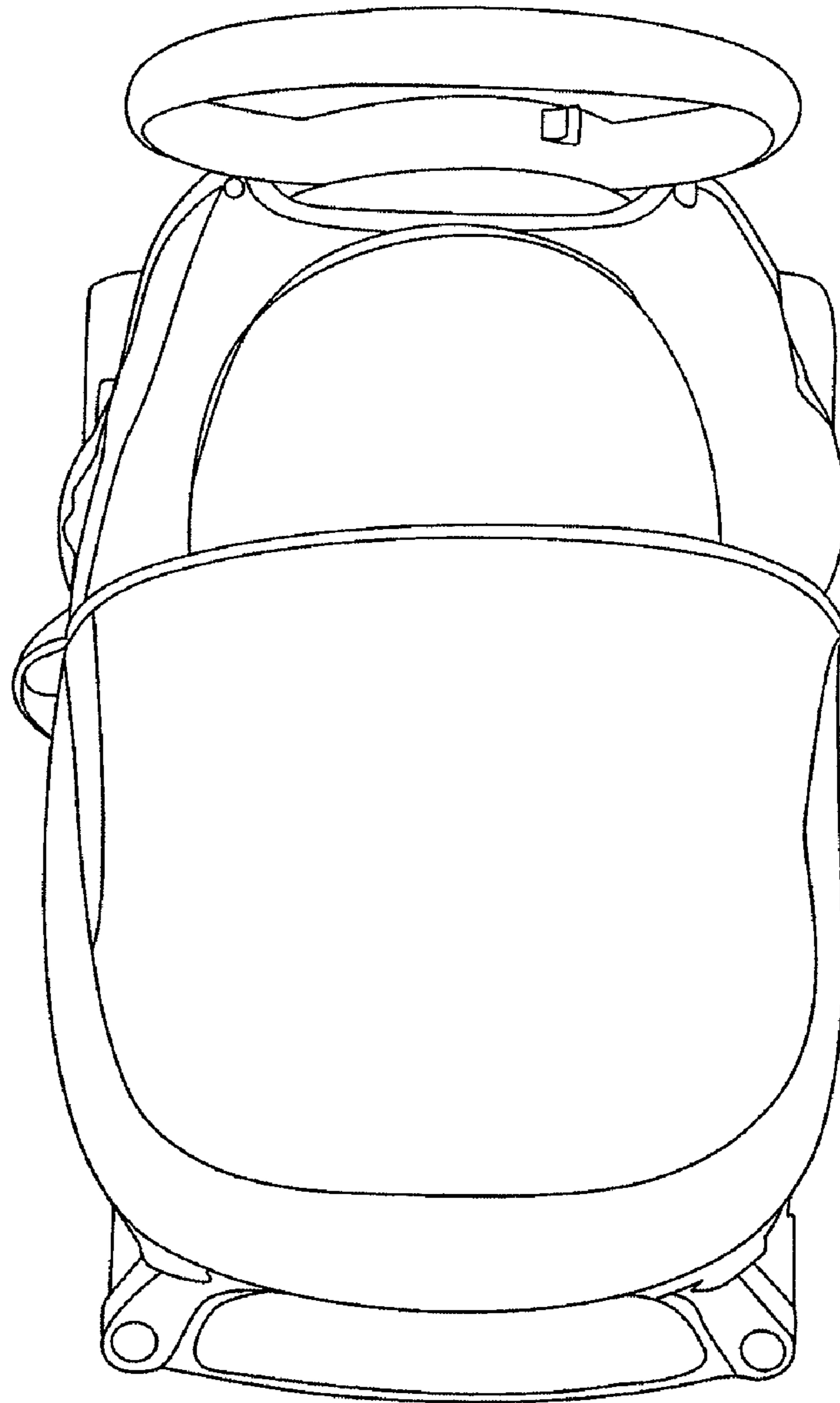


FIG. 6

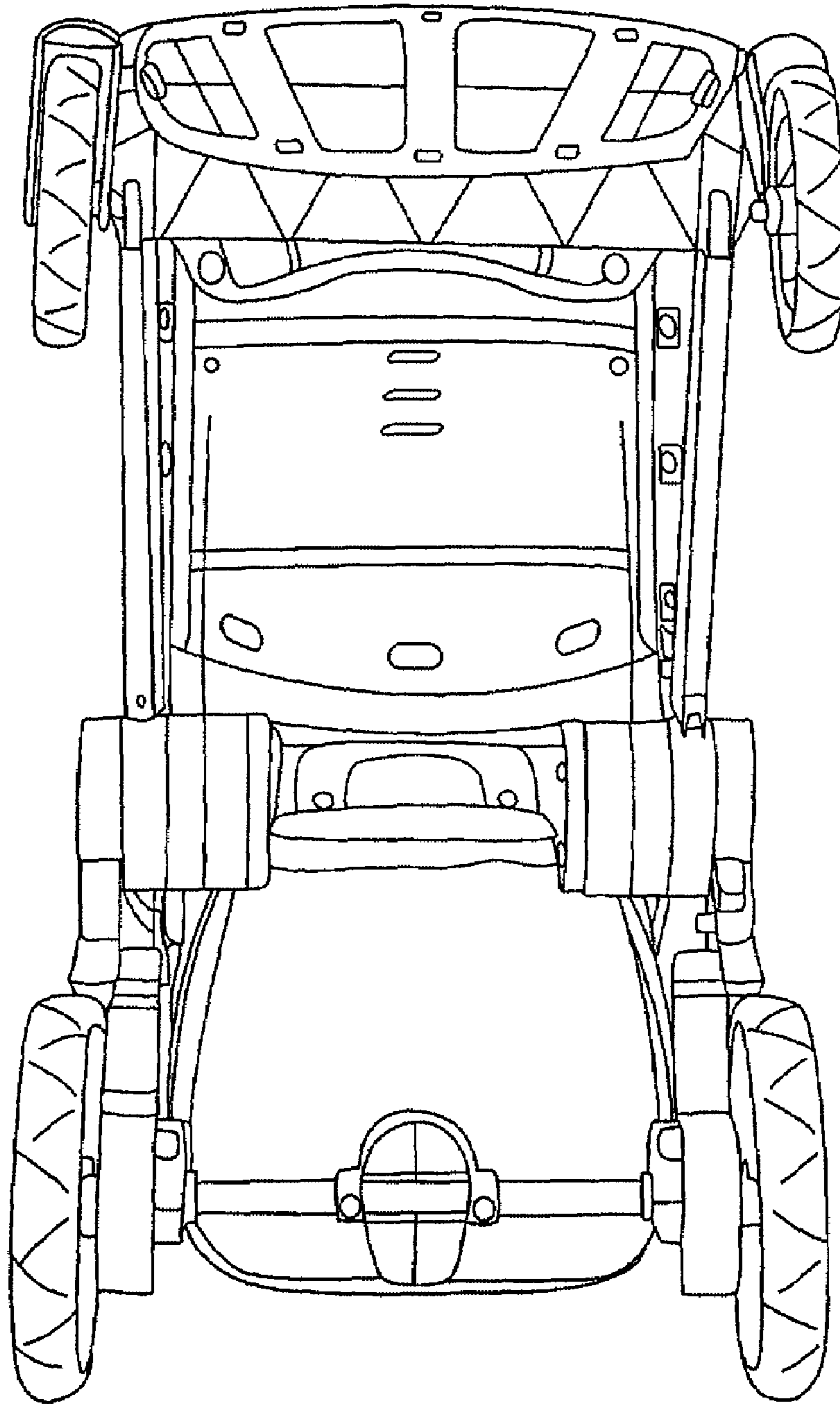


FIG. 7

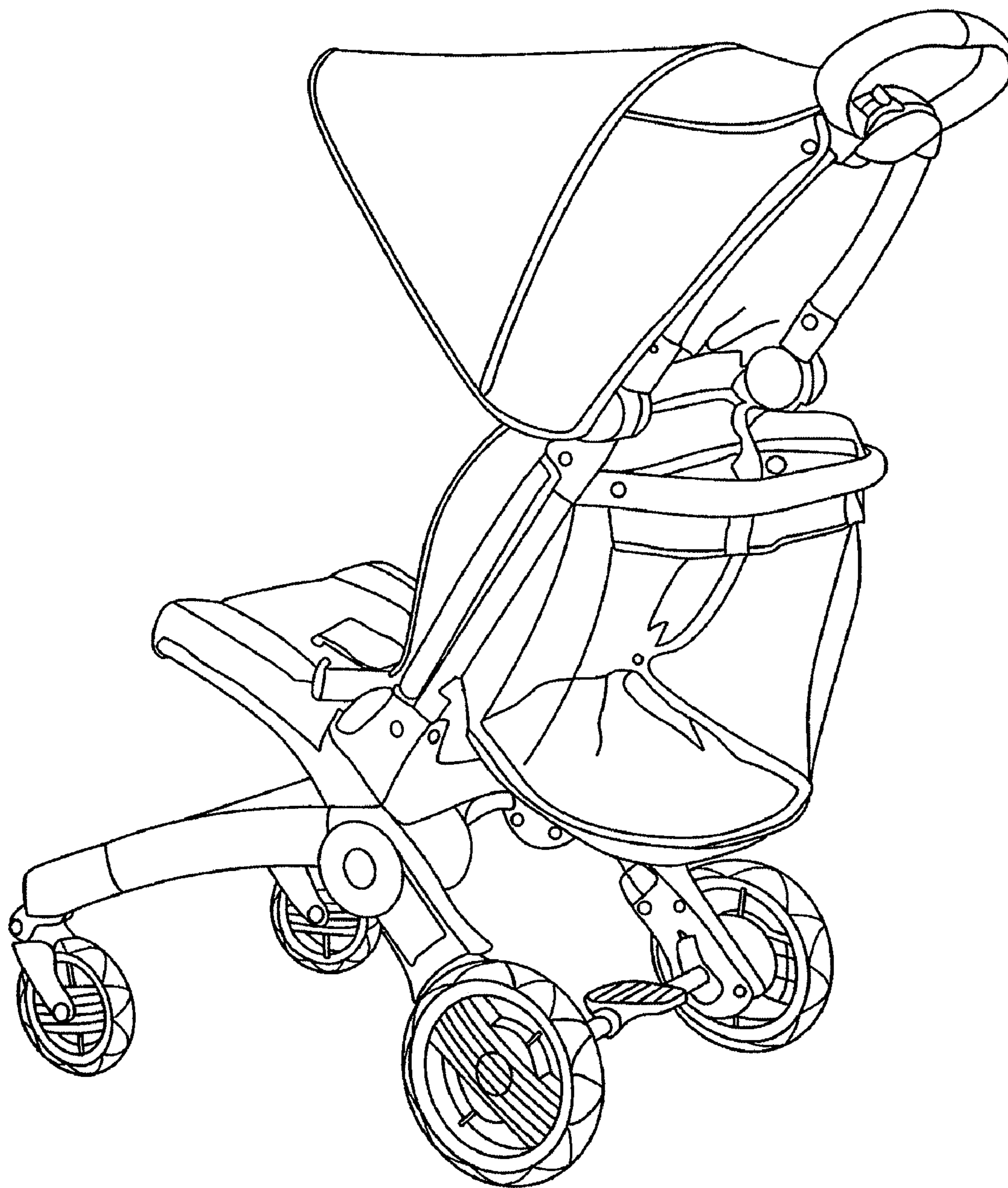


FIG. 8