



US00D596996S

(12) **United States Design Patent**
Yang

(10) **Patent No.:** **US D596,996 S**
(45) **Date of Patent:** **** Jul. 28, 2009**

(54) **BABY STROLLER**

(75) Inventor: **Cheng-Fan Yang**, Tainan Hsien (TW)

(73) Assignee: **Link Treasure Limited**, Tortola (VG)

(**) Term: **14 Years**

(21) Appl. No.: **29/251,402**

(22) Filed: **Jan. 9, 2006**

(51) **LOC (9) Cl.** **12-12**

(52) **U.S. Cl.** **D12/129**

(58) **Field of Classification Search** D12/129-133;
280/30, 36, 38, 42, 47.38, 641, 643, 650,
280/658

See application file for complete search history.

(56) **References Cited**

U.S. PATENT DOCUMENTS

D325,894 S *	5/1992	Kato et al.	D12/129
D345,128 S *	3/1994	Kassai	D12/129
D408,335 S *	4/1999	Eyman et al.	D12/129
D510,549 S *	10/2005	Kassai et al.	D12/129
D532,721 S *	11/2006	Wu et al.	D12/129

* cited by examiner

Primary Examiner—Ian Simmons

Assistant Examiner—Maurice Stevens

(74) *Attorney, Agent, or Firm*—Muncy, Geissler, Olds & Lowe, PLLC

(57) **CLAIM**

The ornamental design for a baby stroller, as shown and described.

DESCRIPTION

FIG. 1 is a front, right perspective view of a baby stroller showing my new design;

FIG. 2 is a front elevational view thereof;

FIG. 3 is a rear elevational view thereof;

FIG. 4 is a left side view thereof;

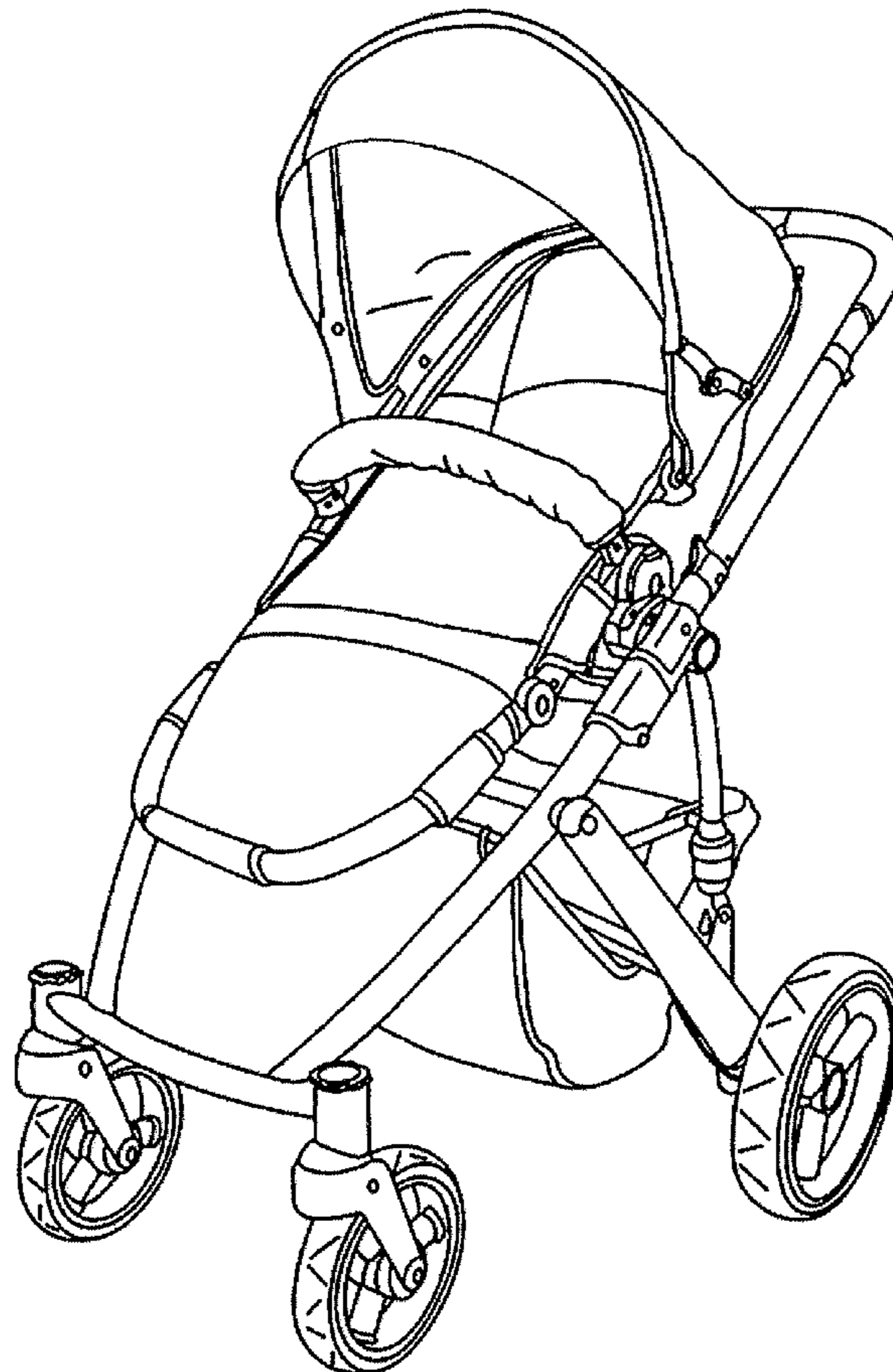
FIG. 5 is a right side view thereof;

FIG. 6 is a top plan view thereof;

FIG. 7 is a bottom plan view thereof; and,

FIG. 8 is a perspective operational view thereof.

1 Claim, 8 Drawing Sheets



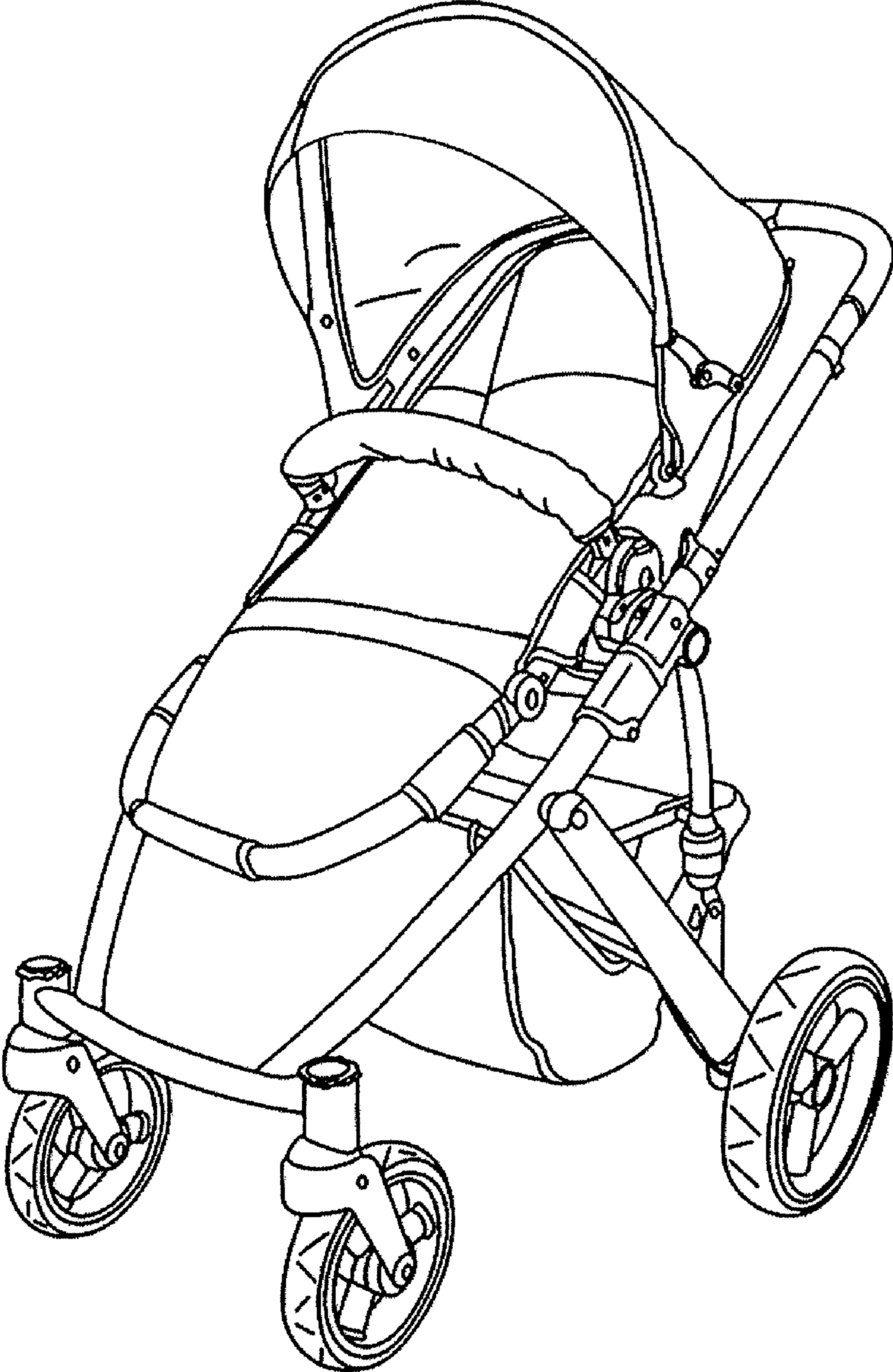


FIG. 1

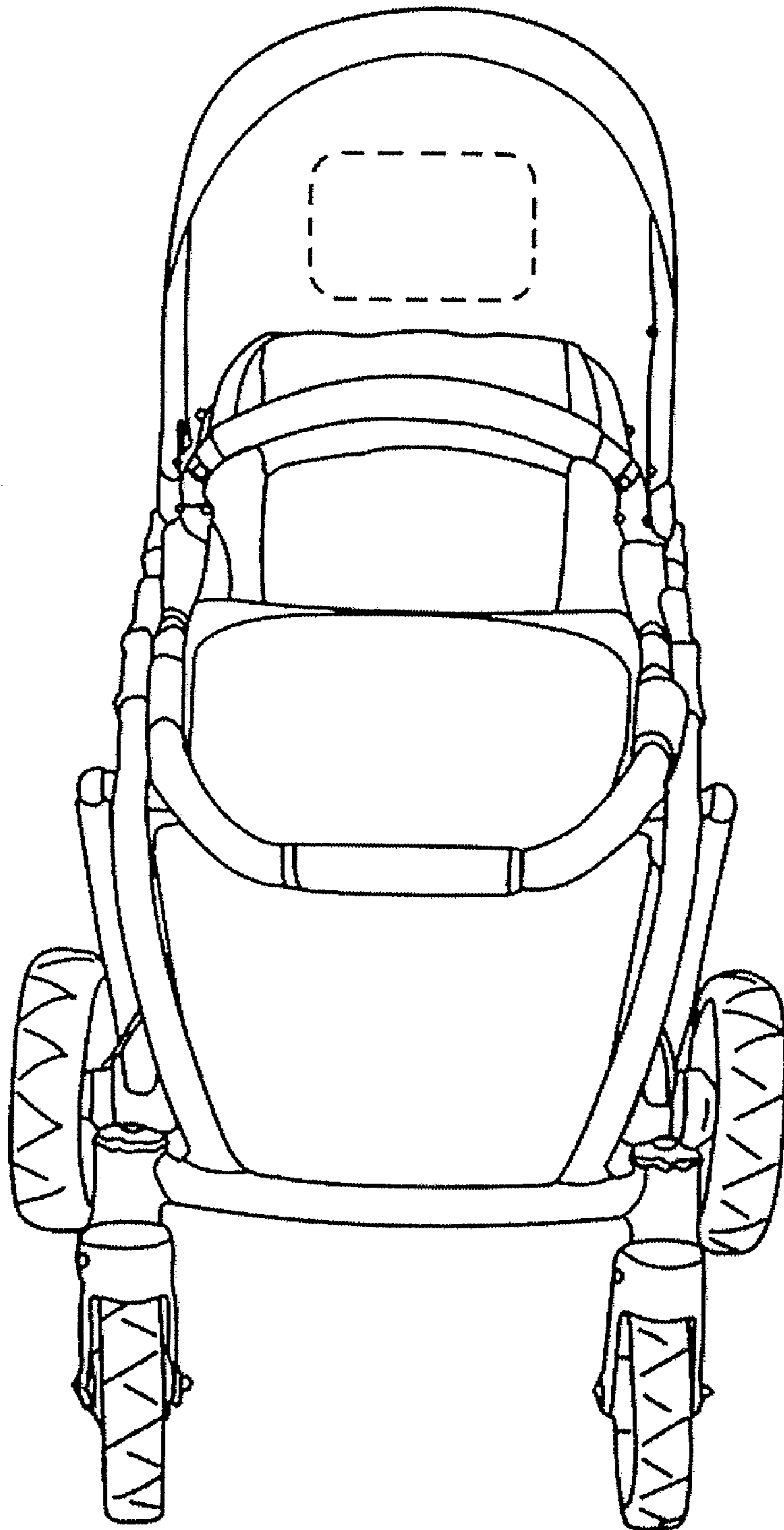


FIG. 2

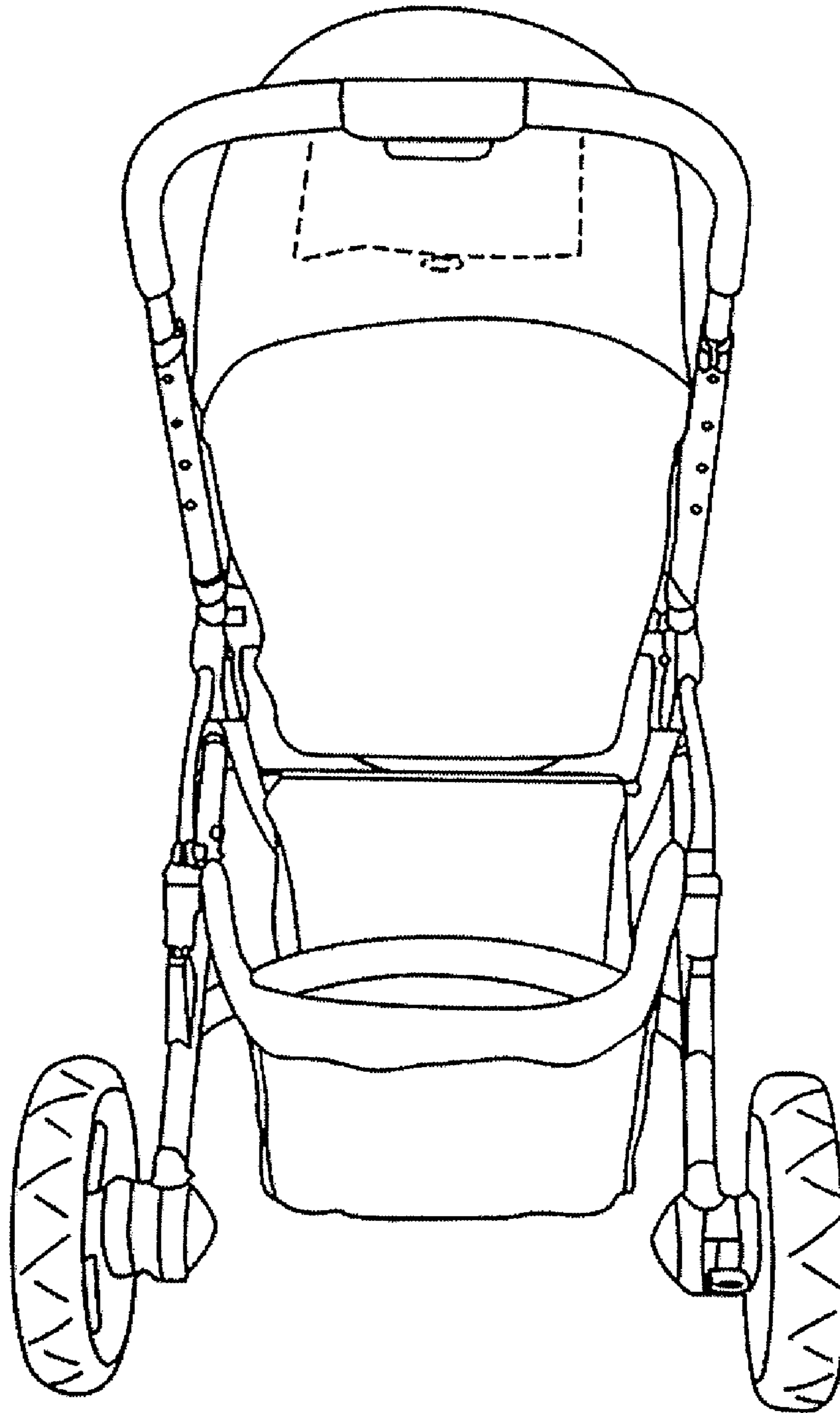


FIG. 3

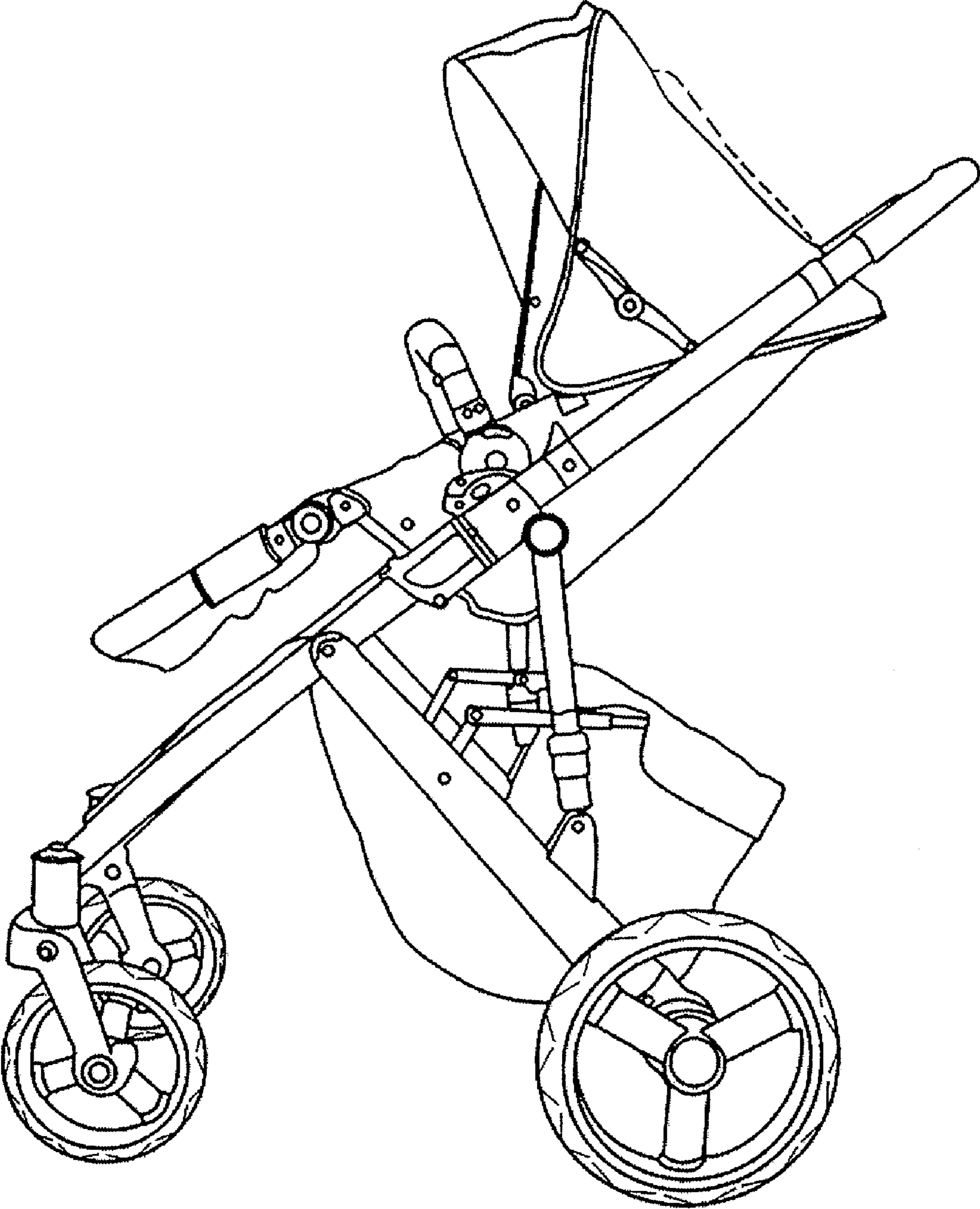


FIG. 4

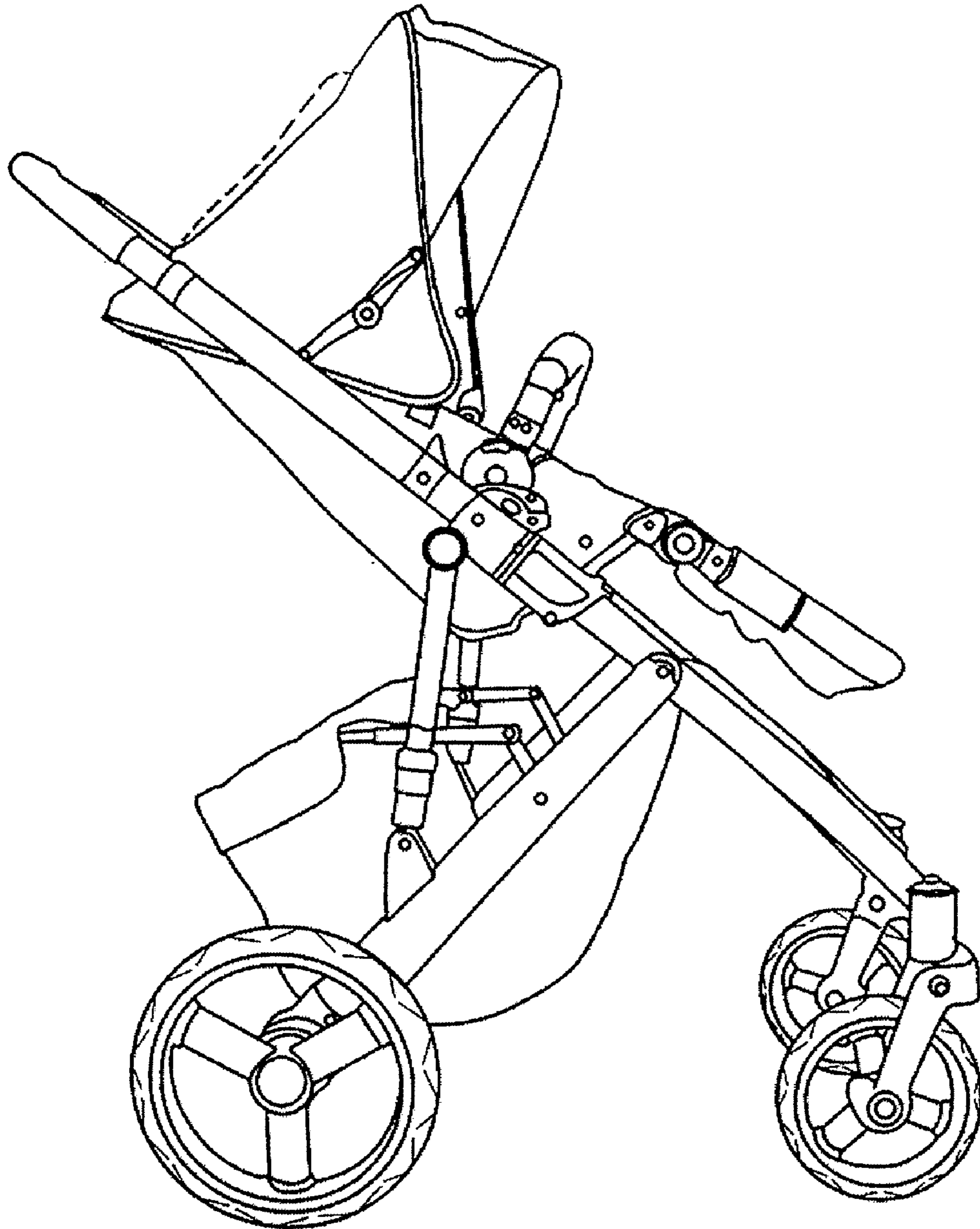


FIG. 5

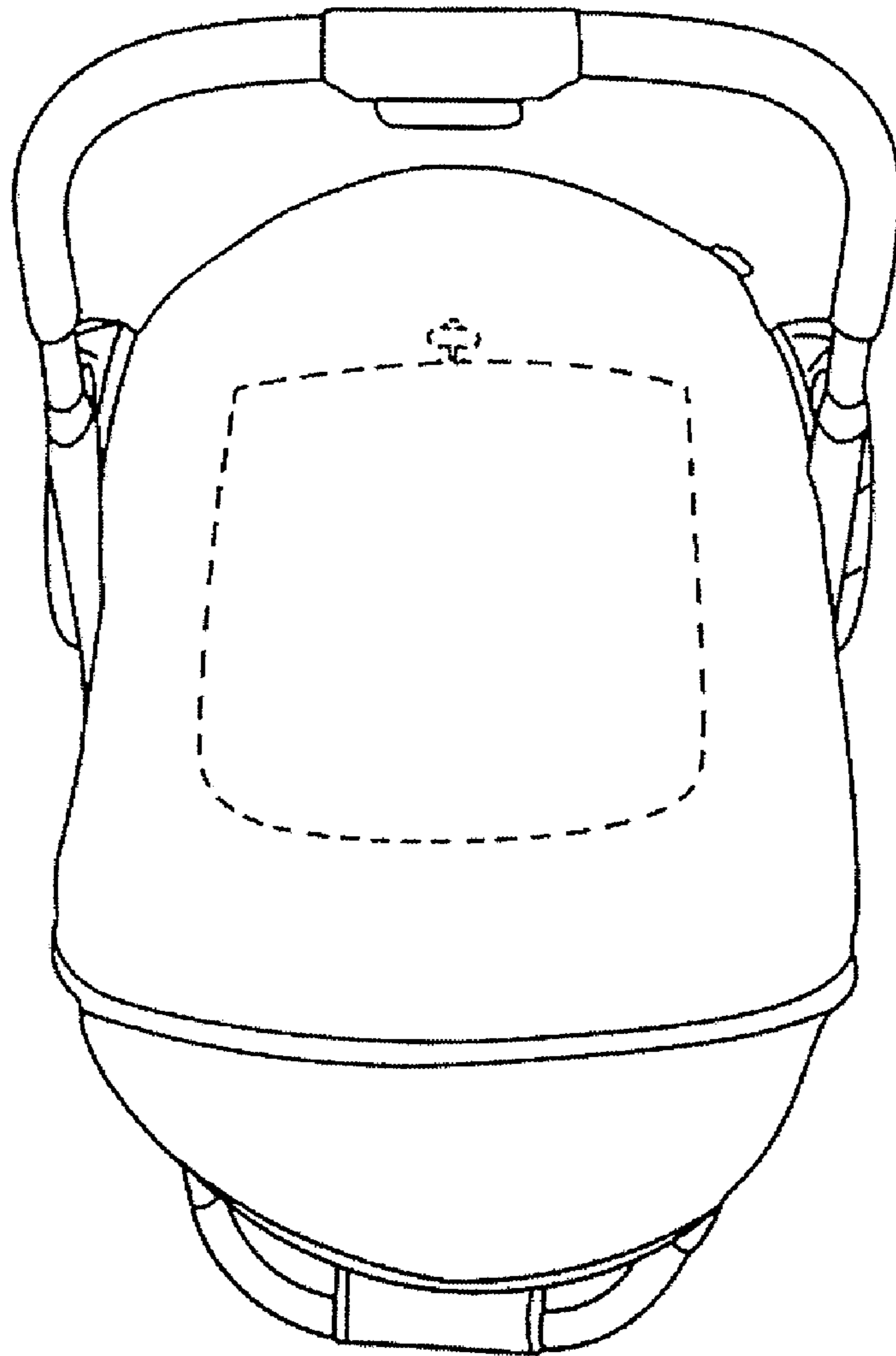


FIG. 6

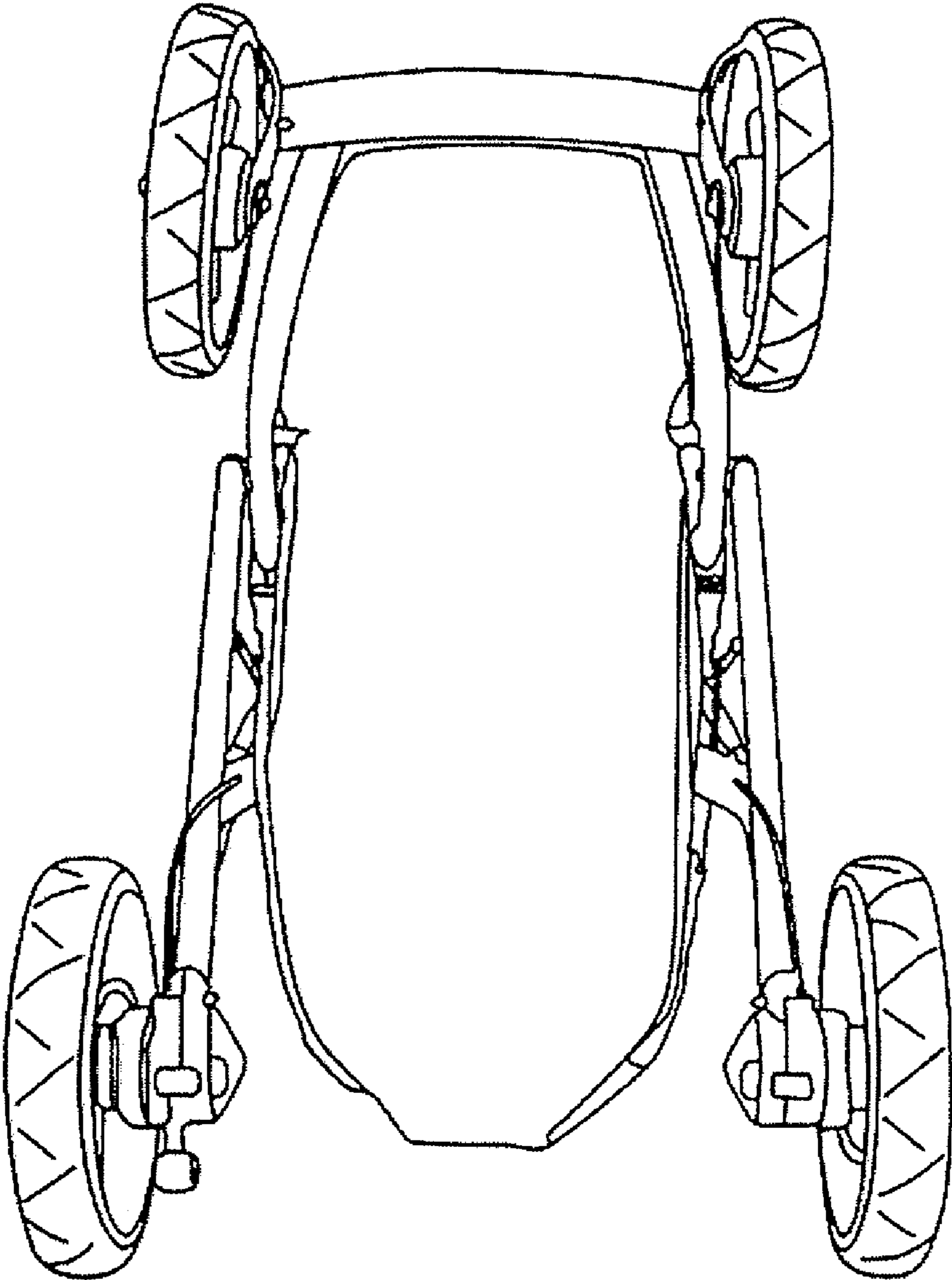


FIG. 7

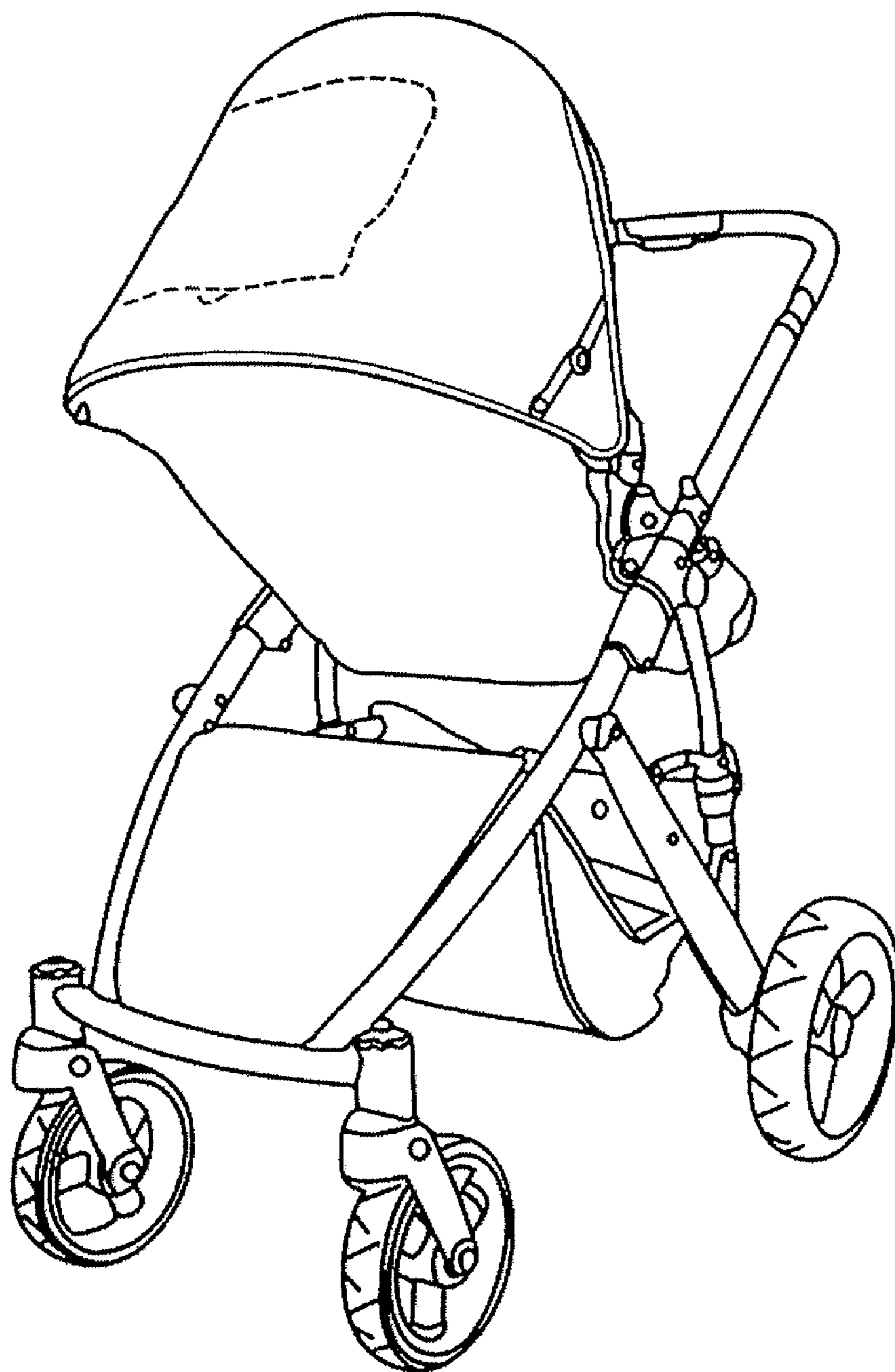


FIG. 8