



US00D596995S

(12) **United States Design Patent**
Egan

(10) **Patent No.:** **US D596,995 S**
(45) **Date of Patent:** **** Jul. 28, 2009**

(54) **MOTORCYCLE FAIRING GRILL**

(75) Inventor: **Craig P. Egan**, Peterborough (CA)
(73) Assignee: **Kuryakyn Holdings, Inc.**, Somerset, WI (US)
(**) Term: **14 Years**
(21) Appl. No.: **29/310,980**
(22) Filed: **Sep. 22, 2008**

(51) **LOC (9) Cl.** **12-11**
(52) **U.S. Cl.** **D12/126; D12/163**
(58) **Field of Classification Search** D12/110, D12/114, 126, 163, 164, 170-172, 181, 182, D12/196; 180/68.1, 68.6, 69.6, 219, 220; 280/288.2, 288.4, 762, 770, 152.1, 848, 852; 296/77.1, 78.1, 96.11, 180.1, 187.03, 192, 296/193.01, 193.1; 293/115
See application file for complete search history.

(56) **References Cited**

U.S. PATENT DOCUMENTS

D275,276 S *	8/1984	Rudd et al.	D12/182
D281,875 S *	12/1985	Stahel	D12/182
D284,366 S *	6/1986	Abe	D12/182
D314,740 S *	2/1991	Abe et al.	D12/182
D401,543 S *	11/1998	Mobley	D12/163

OTHER PUBLICATIONS

2004 Kuryakyn Catalog—Leading Accessories for Gold Wing & Metric Cruisers (3 pages).
* cited by examiner
Primary Examiner—Cathron C Brooks
Assistant Examiner—Linda Brooks
(74) *Attorney, Agent, or Firm*—Dicke, Billig & Czaja, PLLC

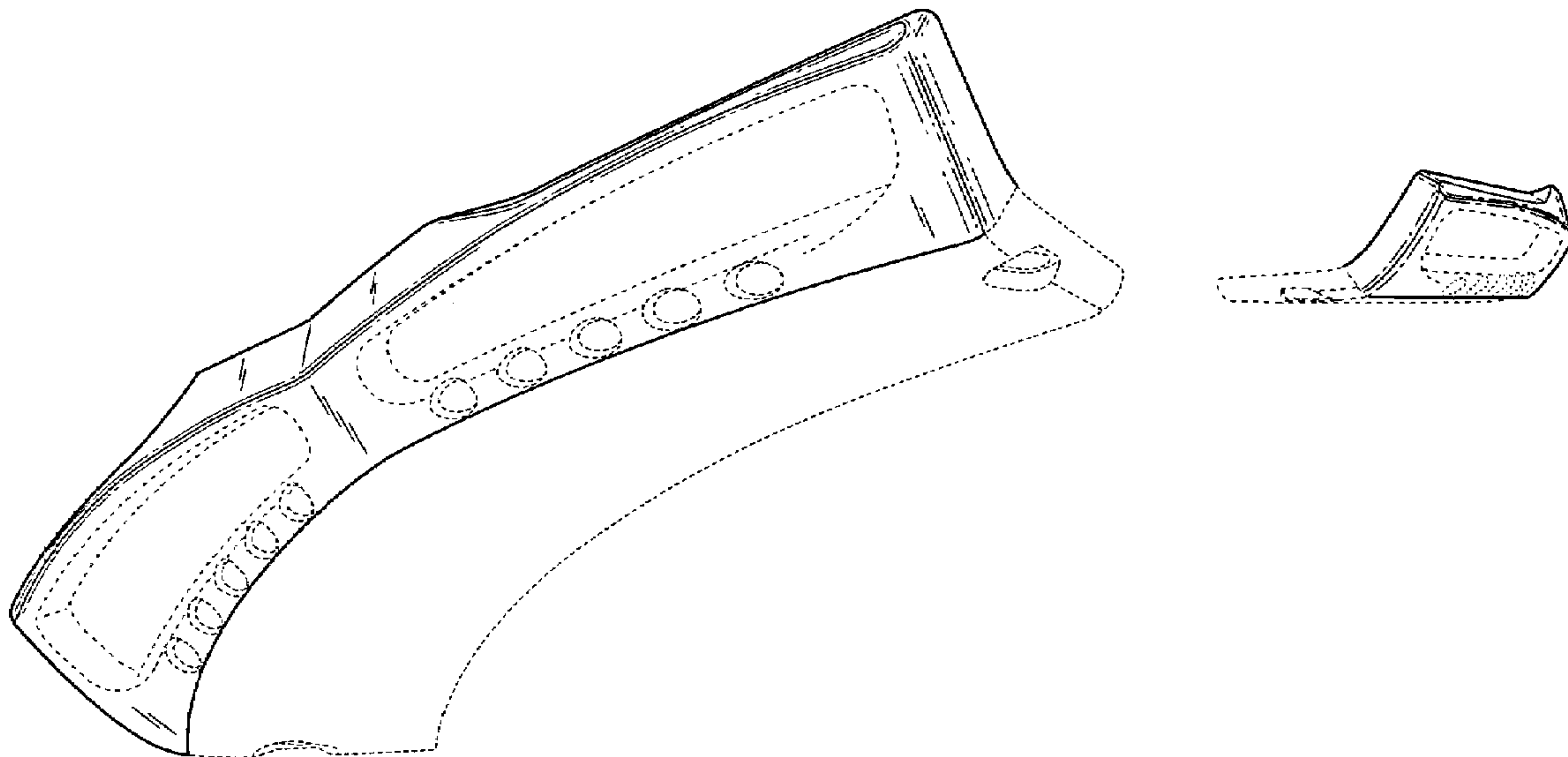
(57) **CLAIM**

The ornamental design for a motorcycle fairing grill, as shown and described.

DESCRIPTION

FIG. 1 is a front perspective view of the motorcycle fairing grill of the present invention.
FIG. 2 is a front elevation view thereof.
FIG. 3 is a rear elevation view thereof.
FIG. 4 is a top view thereof.
FIG. 5 is a bottom view thereof; and,
FIG. 6 is a right side view thereof, the left side being a mirror image of the right side.
The portions shown in broken lines, namely, the rear surface, the rearward extending lower portion and the openings in the motorcycle fairing grill, form no part of the claimed design.

1 Claim, 3 Drawing Sheets



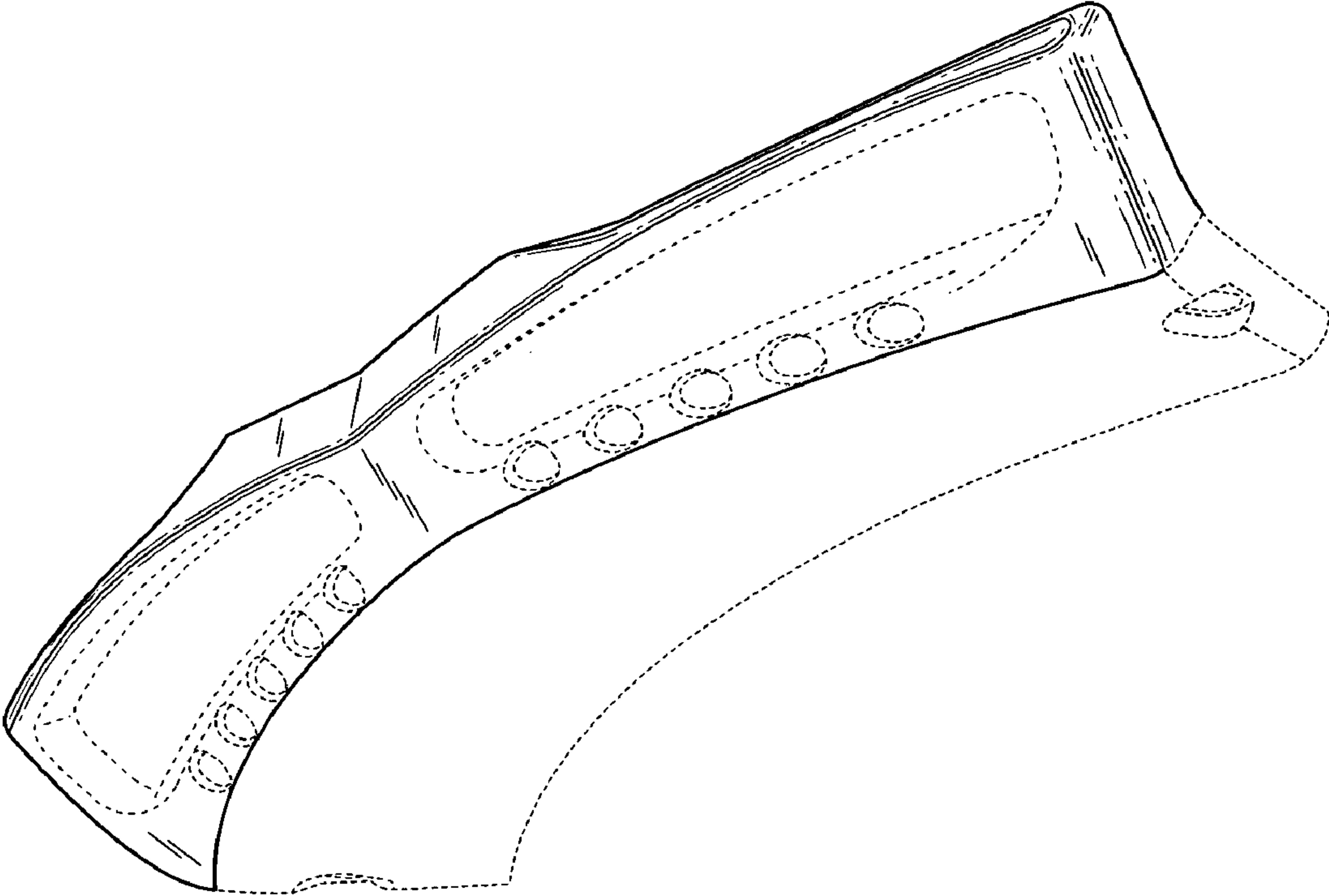


Fig. 1

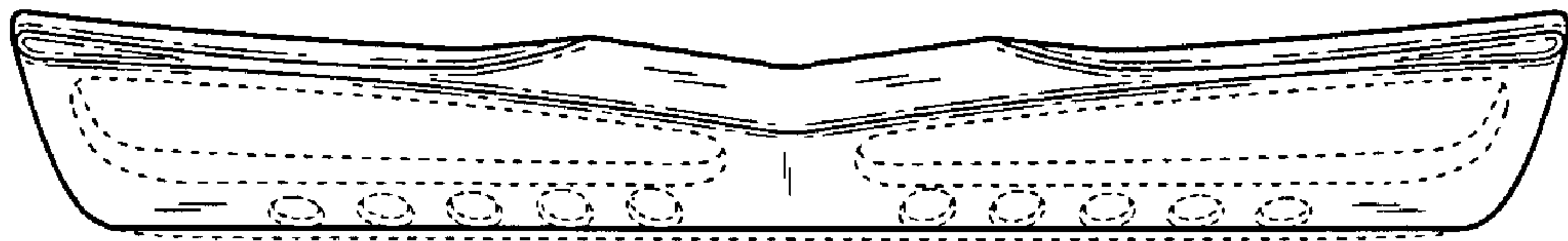


Fig. 2

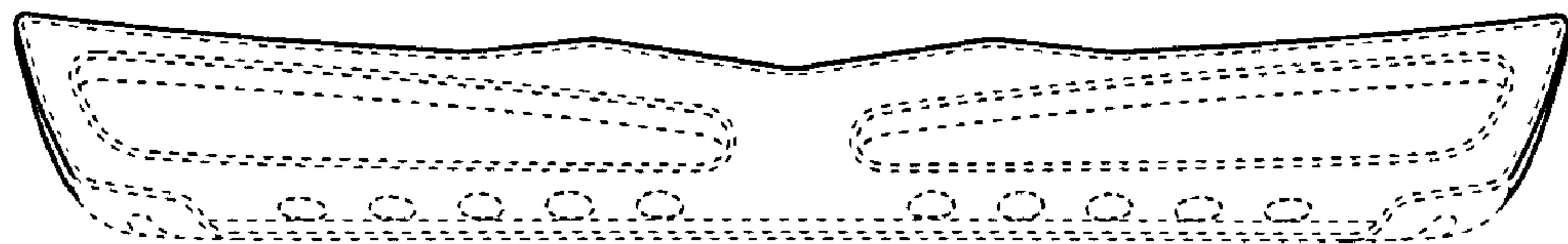


Fig. 3

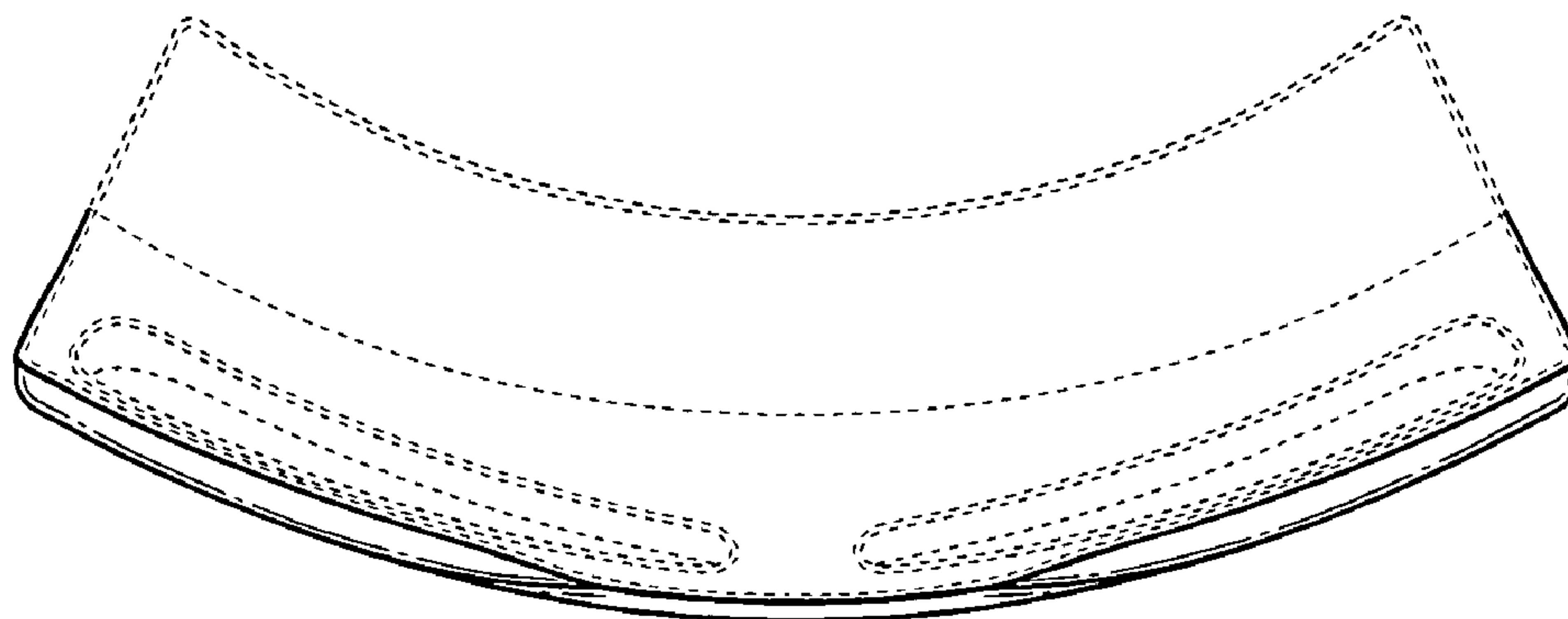


Fig. 4

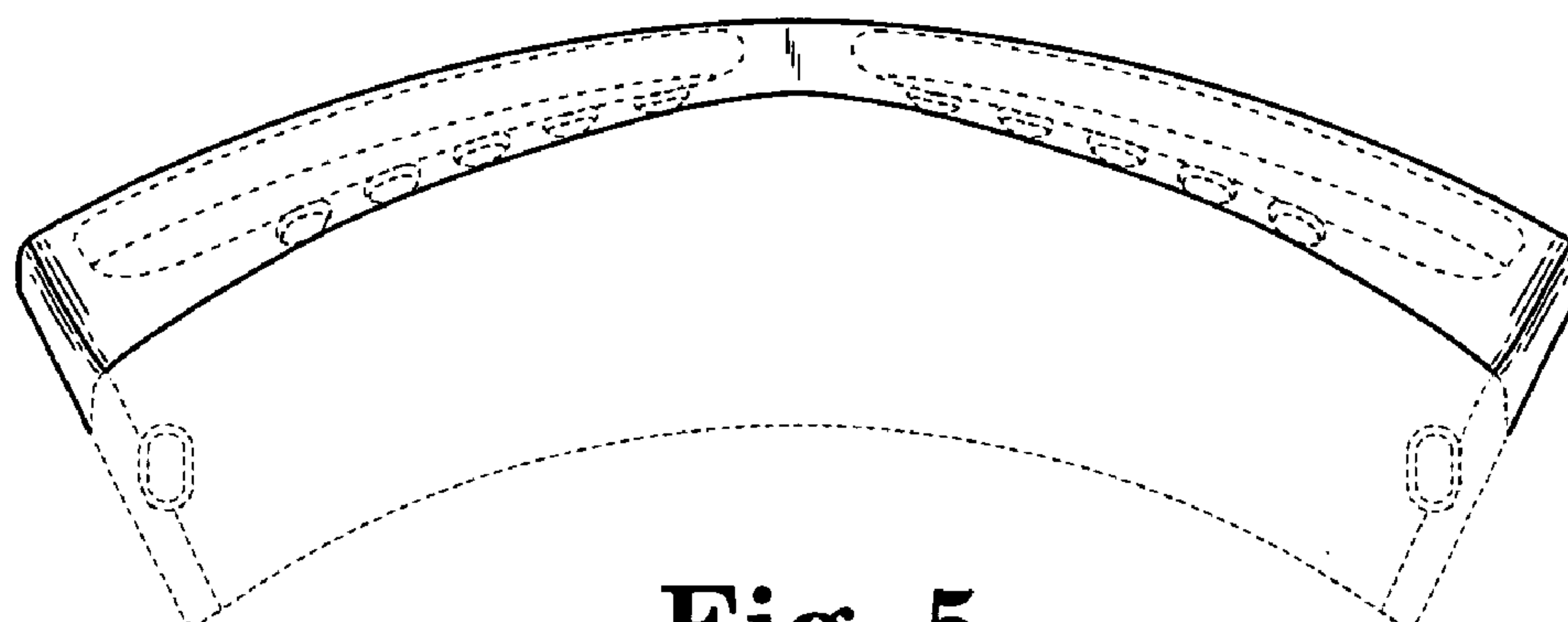


Fig. 5

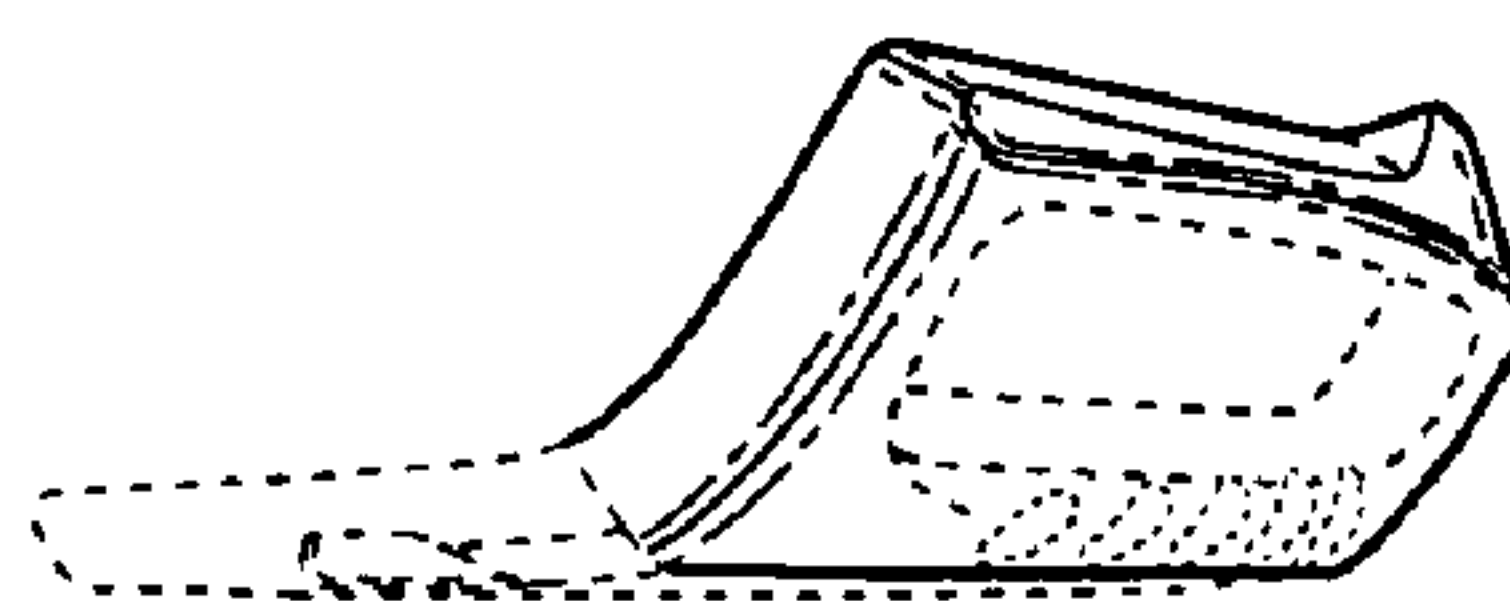


Fig. 6