



US00D596994S

(12) **United States Design Patent**  
**Wong**

(10) **Patent No.:** **US D596,994 S**  
(45) **Date of Patent:** **\*\* Jul. 28, 2009**

(54) **SCOOTER**

D574,300 S \* 8/2008 Kitayama et al. .... D12/110

(76) Inventor: **Oi Kwok Wong**, No. 7, Jianda Bei Road,  
Hongda Industrial Zone, Pengjiang  
District, Jiangmen City, Guangdong  
Province (CN)

\* cited by examiner

*Primary Examiner*—Robin V Webster  
*Assistant Examiner*—Linda Brooks  
(74) *Attorney, Agent, or Firm*—Vidas, Arrett & Steinkraus

(\*\*) Term: **14 Years**

(57) **CLAIM**

(21) Appl. No.: **29/323,322**

The ornamental design for a scooter, as shown and described.

(22) Filed: **Aug. 22, 2008**

**DESCRIPTION**

(51) **LOC (9) Cl.** ..... **12-11**

FIG. 1 is a perspective view of the scooter;

(52) **U.S. Cl.** ..... **D12/110**

FIG. 2 is a left side view thereof;

(58) **Field of Classification Search** ..... D12/110;

FIG. 3 is a right side view thereof;

180/219, 220

FIG. 4 is a front view thereof;

See application file for complete search history.

FIG. 5 is a rear view thereof; and,

(56) **References Cited**

FIG. 6 is a top view thereof.

**U.S. PATENT DOCUMENTS**

The scooter features a trapezium-shaped head light as shown in the drawings. A U-shaped tube for adornment is placed around the edge of the head light. Two double triangular turning lights are located at the two sides of the head light. A U-shaped tube connected with frame at the rear part of the scooter is located beneath the seat.

D480,661 S *	10/2003	Kawawa et al.	.....	D12/110
D520,412 S *	5/2006	Lee	.....	D12/117
D520,413 S *	5/2006	Lee	.....	D12/117
D521,418 S *	5/2006	Lee	.....	D12/117
D524,697 S *	7/2006	Hsing	.....	D12/110
D529,415 S *	10/2006	Shimada et al.	.....	D12/110
D548,140 S *	8/2007	Lin	.....	D12/110

**1 Claim, 4 Drawing Sheets**





Figure 1



Figure 2



Figure 3

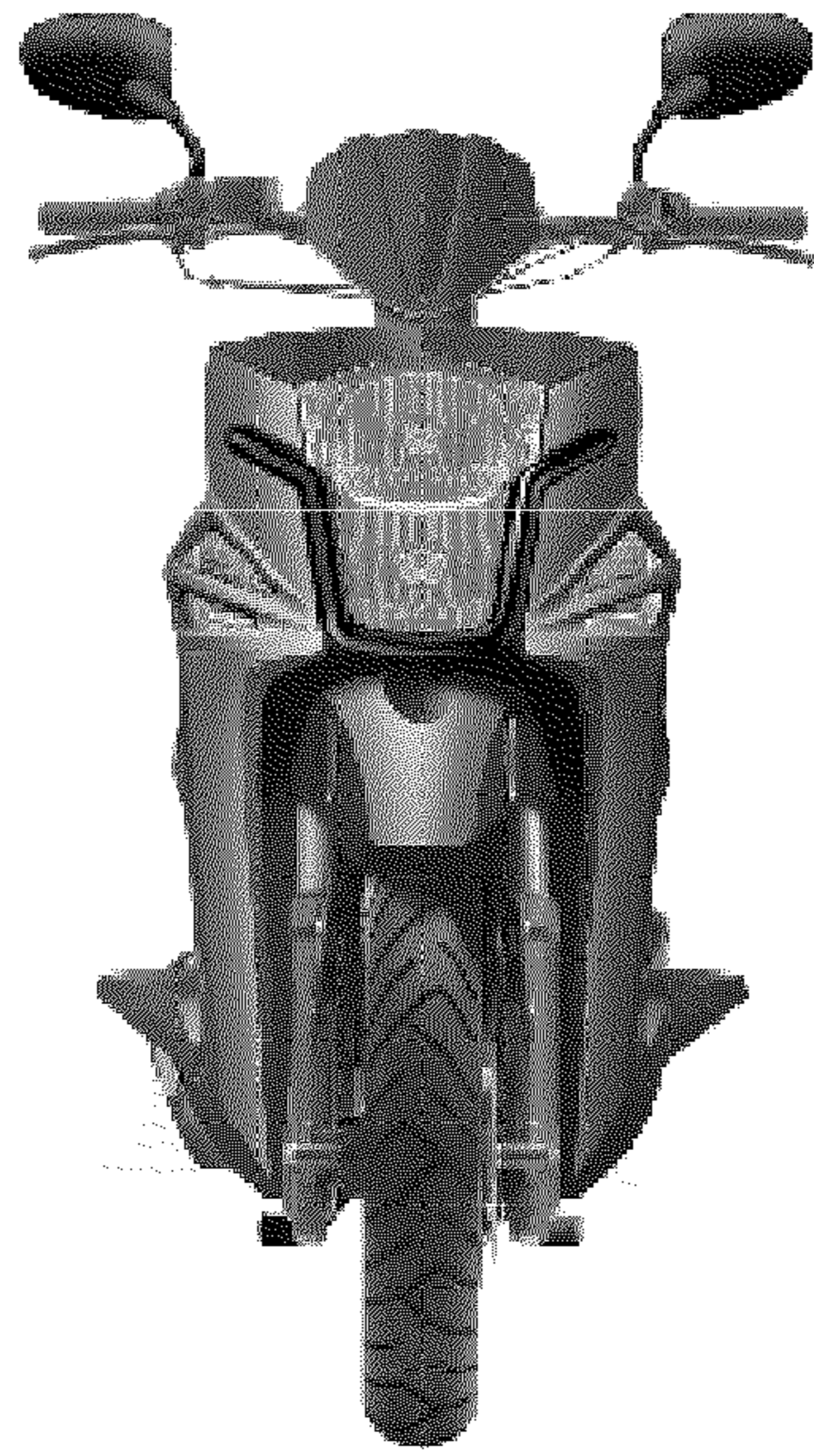


Figure 4

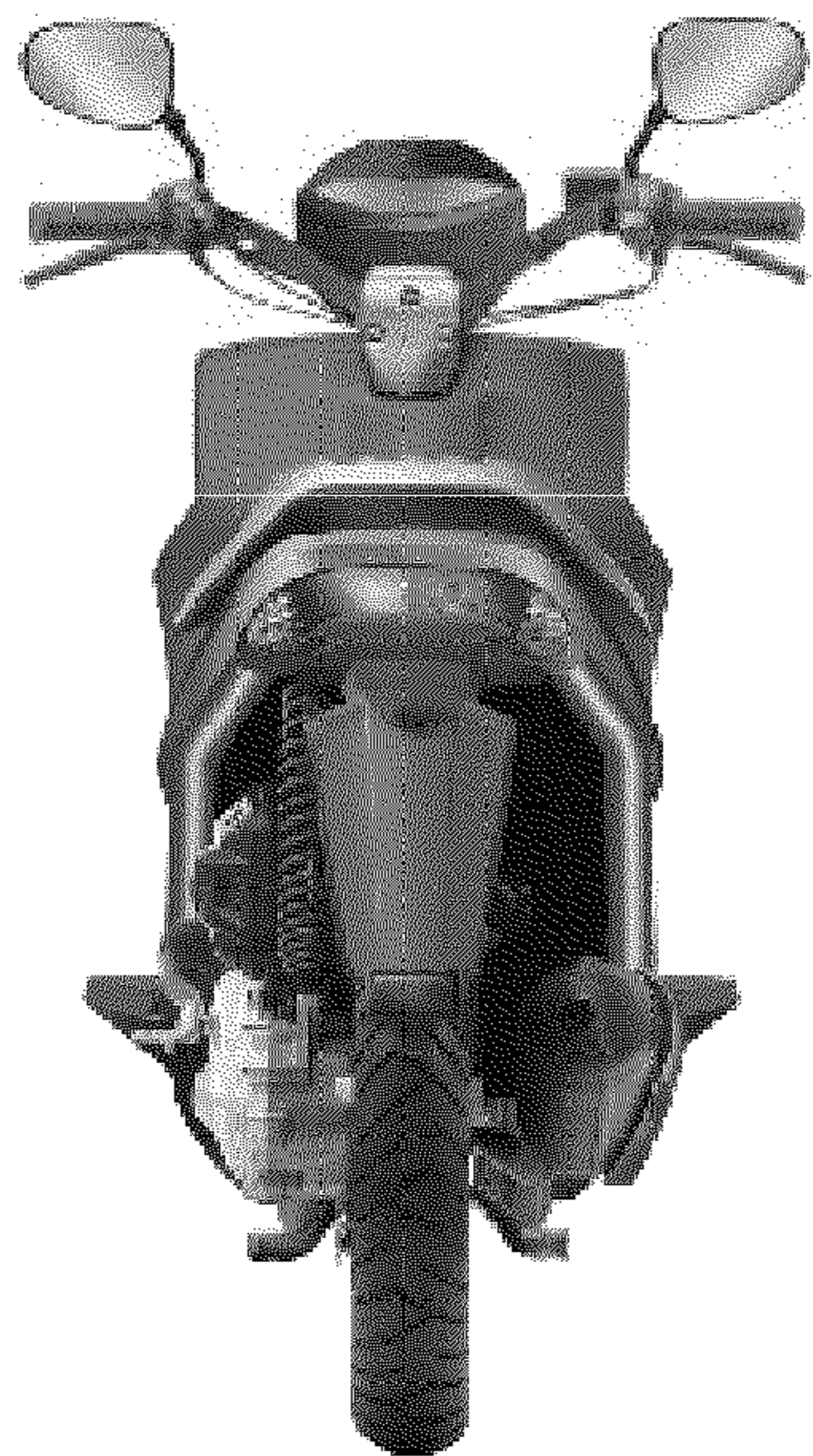


Figure 5

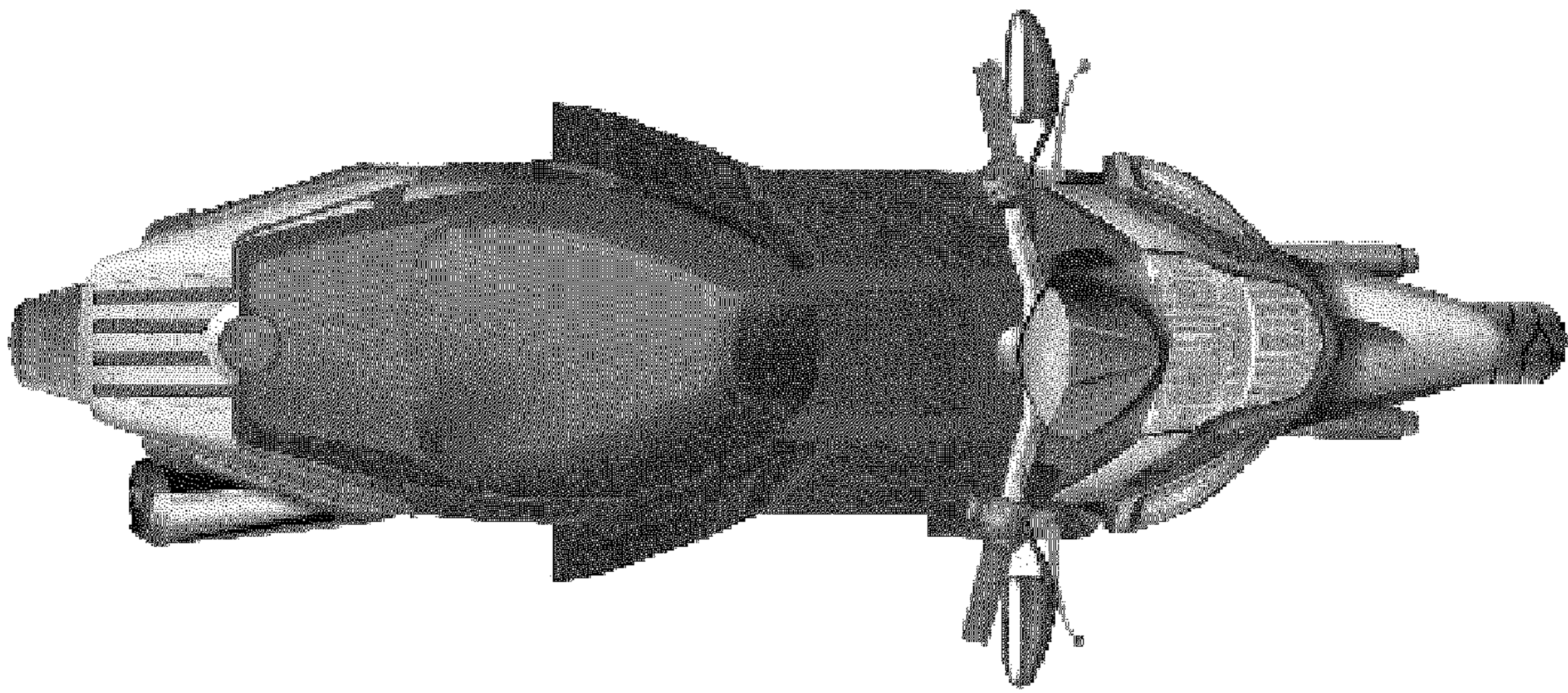


Figure 6