



US00D596970S

(12) **United States Design Patent**  
**Petrucelli**

(10) **Patent No.:** **US D596,970 S**

(45) **Date of Patent:** **\*\* \*Jul. 28, 2009**

(54) **COMBINED TIRE PRESSURE GAUGE AND  
REMOTE TIRE PRESSURE DISPLAY**

(75) Inventor: **Steven Petrucelli**, Cranbury, NJ (US)

(73) Assignee: **Measurement Ltd.**, Grand Cayman  
(KY)

(\* ) Notice: This patent is subject to a terminal dis-  
claimer.

(\*\*) Term: **14 Years**

(21) Appl. No.: **29/292,790**

(22) Filed: **Oct. 26, 2007**

(51) **LOC (9) Cl.** ..... **10-04**

(52) **U.S. Cl.** ..... **D10/86**

(58) **Field of Classification Search** ..... D10/86;  
73/732, 744, 742, 717, 741, 146.3, 146.8;  
116/34 R, 272; 702/140

See application file for complete search history.

(56) **References Cited**

**U.S. PATENT DOCUMENTS**

D247,429 S	3/1978	Teal
D259,863 S	7/1981	Eller
D280,215 S	8/1985	Huang
D286,270 S	10/1986	Huang
D289,424 S	4/1987	Huang
D294,229 S	2/1988	Bonazzi
4,748,845 A	6/1988	Rocco et al.
4,782,448 A	11/1988	Milstein
D300,729 S	4/1989	Skaggs et al.
4,827,764 A	5/1989	Hwang
4,845,980 A	7/1989	Weng
4,916,944 A	4/1990	Ho-Chuan
4,924,697 A	5/1990	Hunt et al.
D314,159 S	1/1991	O'Connor
4,998,438 A	3/1991	Martin
D316,980 S	5/1991	Brinker et al.
D317,880 S	7/1991	Meehan
5,033,296 A	7/1991	Huang
D320,170 S	9/1991	Hwang

D320,756 S	10/1991	Ohno et al.
5,117,684 A	6/1992	Hwang
D331,371 S	12/1992	Weng
D335,465 S	5/1993	Garrison, III
D336,735 S	6/1993	Nulsen
D337,730 S	7/1993	Rosenfeld
D338,839 S	8/1993	Akins
D349,659 S	8/1994	Huang
D352,252 S	11/1994	Huang
D361,950 S	9/1995	Mascio
D366,845 S	2/1996	Handfield et al.
D366,846 S	2/1996	Handfield et al.
D367,432 S	2/1996	Solloway
5,640,776 A	6/1997	Krauss
D390,140 S	2/1998	Germanton

(Continued)

*Primary Examiner*—Antoine D Davis  
(74) *Attorney, Agent, or Firm*—Howard IP Law Group, PC

(57) **CLAIM**

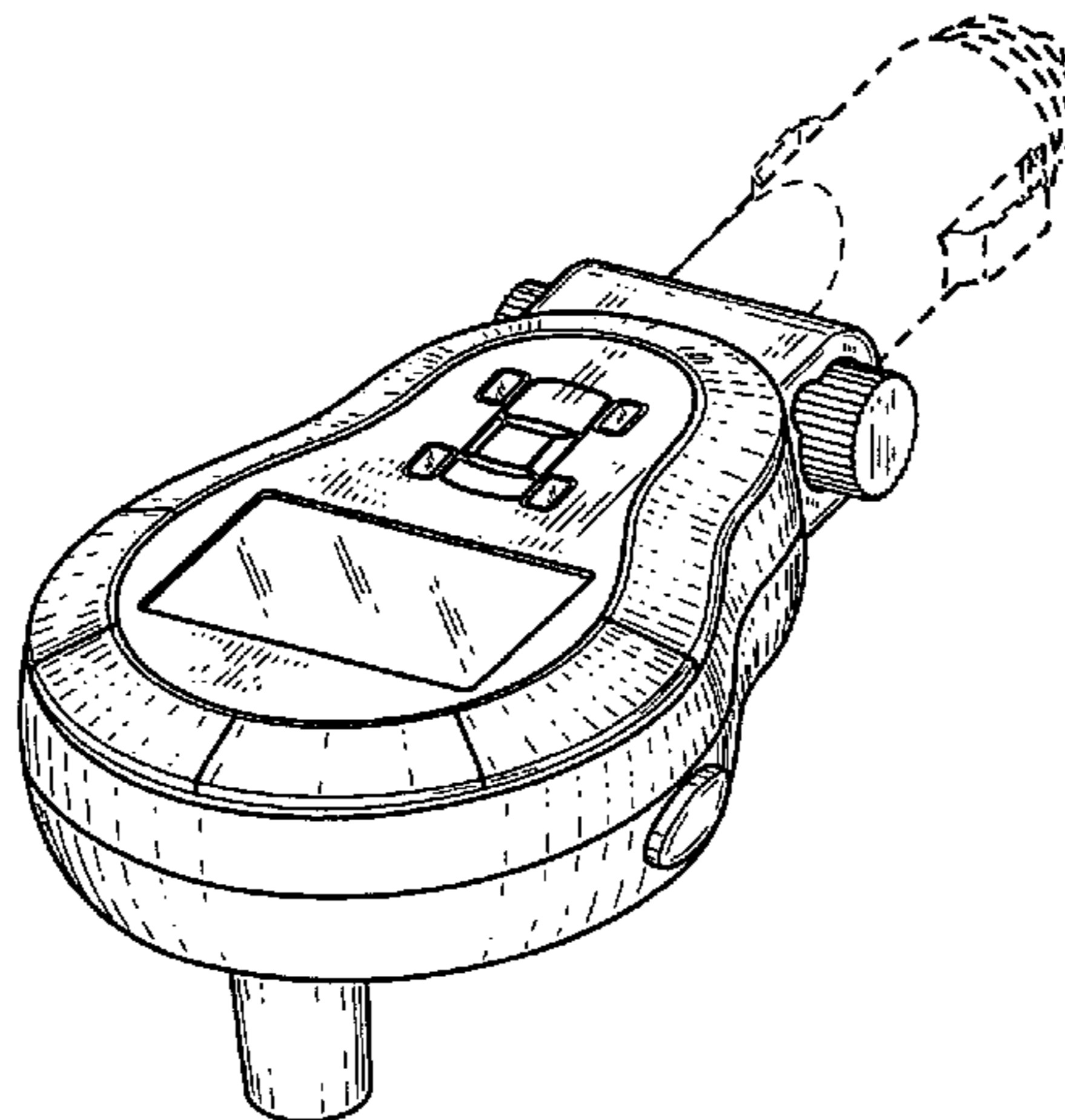
The ornamental design for a combined tire pressure gauge and remote tire pressure display, as shown and described.

**DESCRIPTION**

FIG. 1 is a perspective view of a combined tire pressure gauge and remote tire pressure display showing my new design;  
FIG. 2 is a top elevational view thereof;  
FIG. 3 is a bottom elevational view thereof;  
FIG. 4 is a right side elevational view thereof;  
FIG. 5 is a left side elevational view thereof;  
FIG. 6 is a front elevational view thereof; and,  
FIG. 7 is a rear elevational view thereof.

The matter shown in broken lines is shown for illustrative purposes only, and forms no part of the claimed design.

**1 Claim, 6 Drawing Sheets**



# US D596,970 S

Page 2

## U.S. PATENT DOCUMENTS

D395,835 S	7/1998	Okuyama et al.	D474,124 S	5/2003	Krieger et al.
D402,997 S	12/1998	Campbell et al.	D488,082 S	4/2004	Durr et al.
D409,509 S	5/1999	Petrucci et al.	D491,480 S	6/2004	Huang et al.
D409,931 S	5/1999	Petrucci et al.	D492,608 S	7/2004	Fujioka
D419,085 S	1/2000	Prus	D496,602 S	9/2004	Shipman
D420,299 S	2/2000	Jahn	D498,154 S	11/2004	Wang
D427,092 S	6/2000	Wu	D501,146 S	1/2005	Durr et al.
D427,093 S	6/2000	Wu	D501,417 S	2/2005	Tseng
D440,893 S	4/2001	Van Zeyl	D501,418 S	2/2005	Wang
D440,894 S	4/2001	Van Zeyl	D502,214 S	2/2005	Davis et al.
D440,895 S	4/2001	Van Zeyl	D502,656 S	3/2005	Fujioka
D441,674 S	5/2001	Van Zeyl	D502,734 S	3/2005	Davis et al.
D447,970 S	9/2001	Capiello et al.	D502,735 S	3/2005	Davis et al.
D450,257 S	11/2001	Bressler et al.	D503,898 S	4/2005	Durr et al.
D455,361 S	4/2002	Super et al.	D504,630 S	5/2005	Wang
D455,666 S	4/2002	Capiello et al.	D505,088 S	5/2005	Durr et al.
D458,857 S	6/2002	Tseng	D505,871 S	6/2005	Little et al.
D459,257 S	6/2002	Petrucci	D505,872 S	6/2005	Durr et al.
D459,668 S	7/2002	Petrucci	D506,154 S	6/2005	Cowan et al.
D460,704 S	7/2002	Peele	D526,229 S	8/2006	Stowers et al.
D462,627 S	9/2002	Petrucci	D526,589 S *	8/2006	Stowers et al. .... D10/86
D469,706 S	2/2003	Huang	D528,934 S	9/2006	Stowers et al.
D472,172 S	3/2003	Fujioka et al.	D534,092 S *	12/2006	Kuskovsky ..... D10/86
			7,281,420 B2 *	10/2007	Wrubel ..... 73/146.3

\* cited by examiner

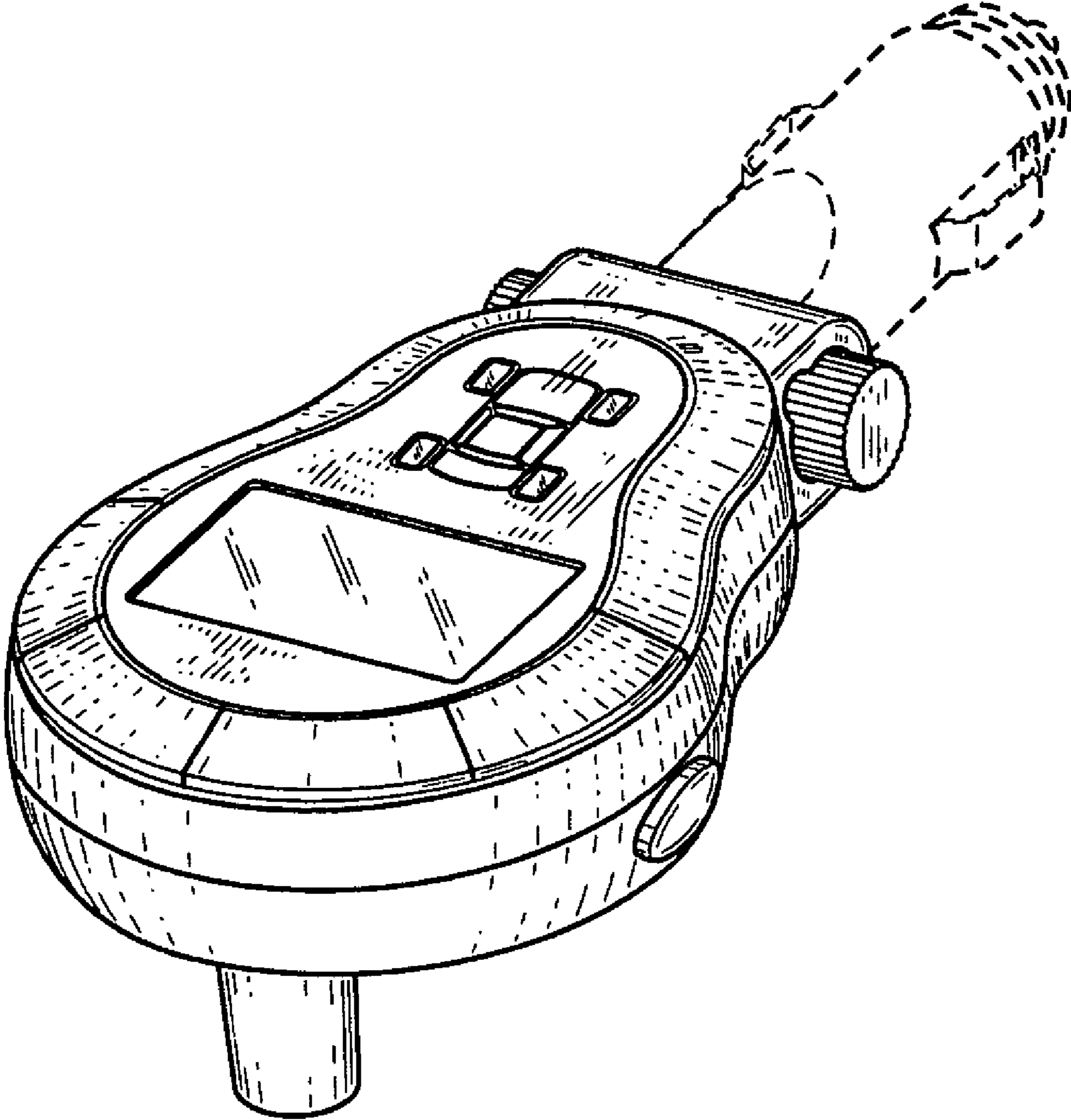


FIG. 1

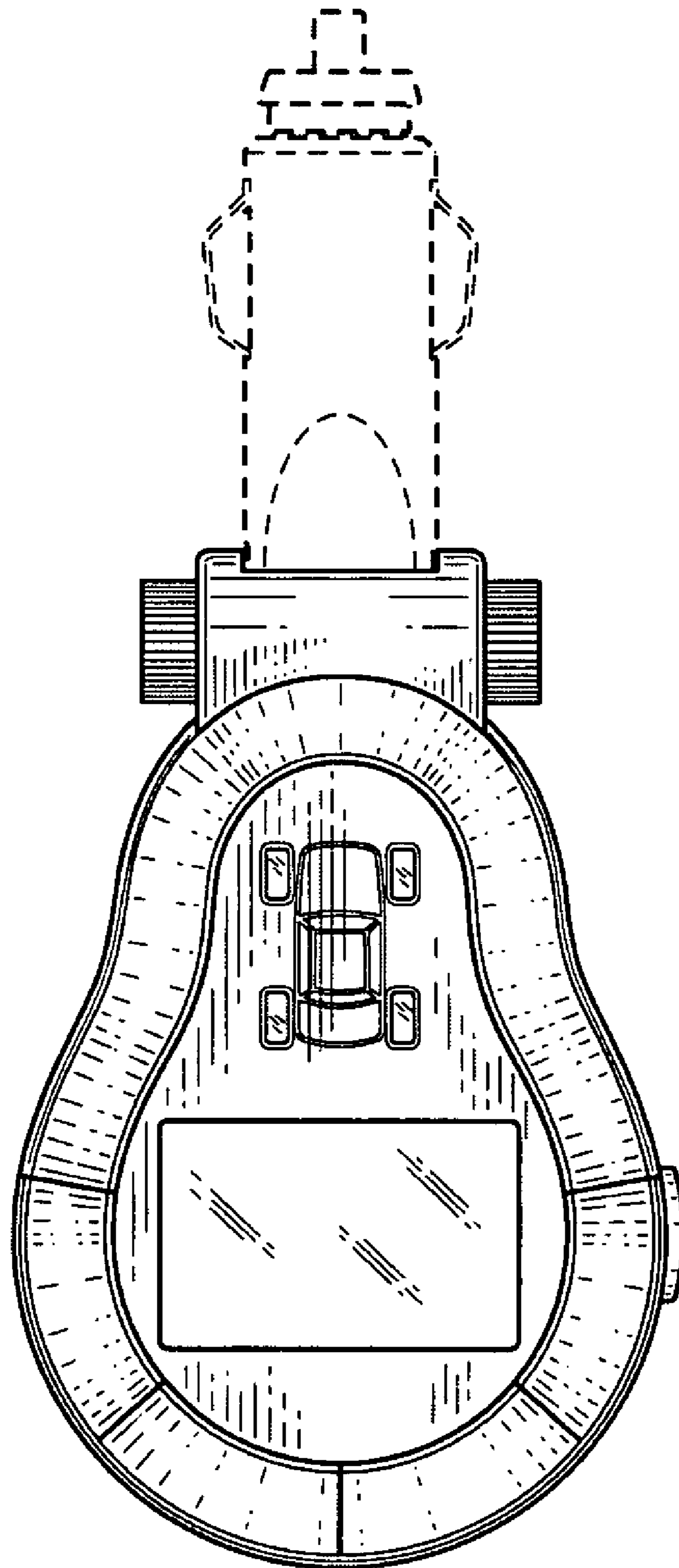


FIG. 2

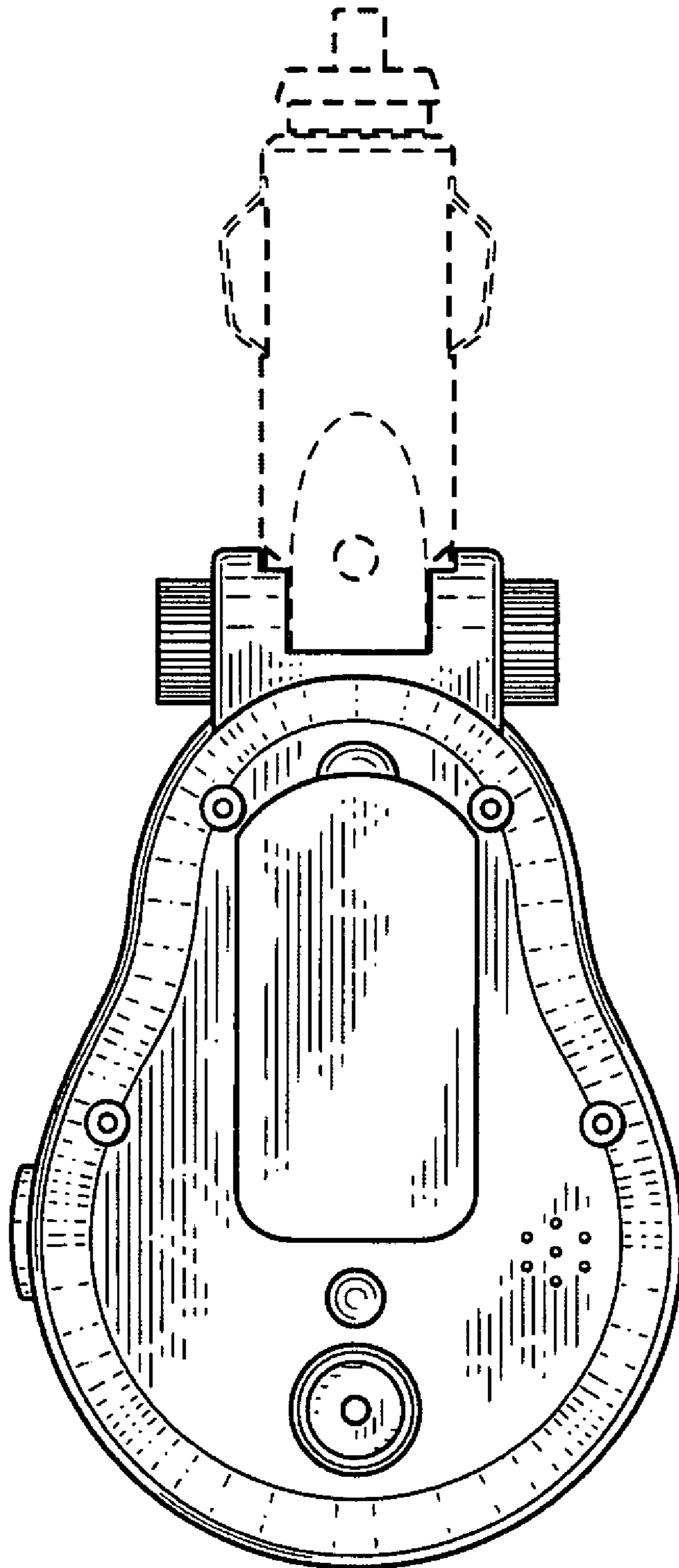


FIG. 3

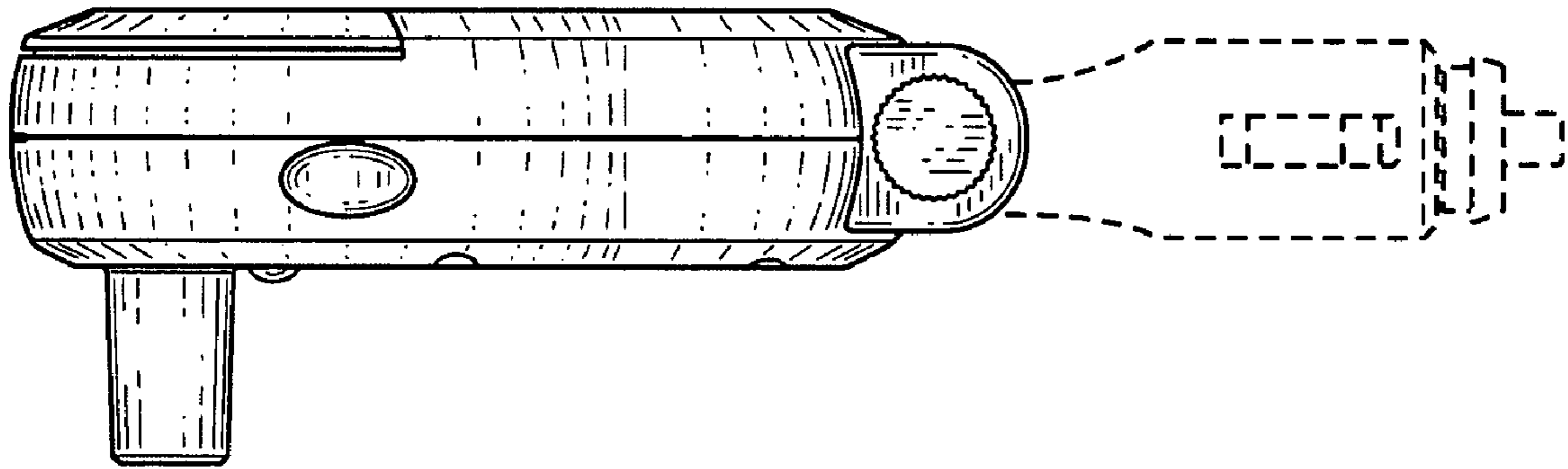


FIG. 4

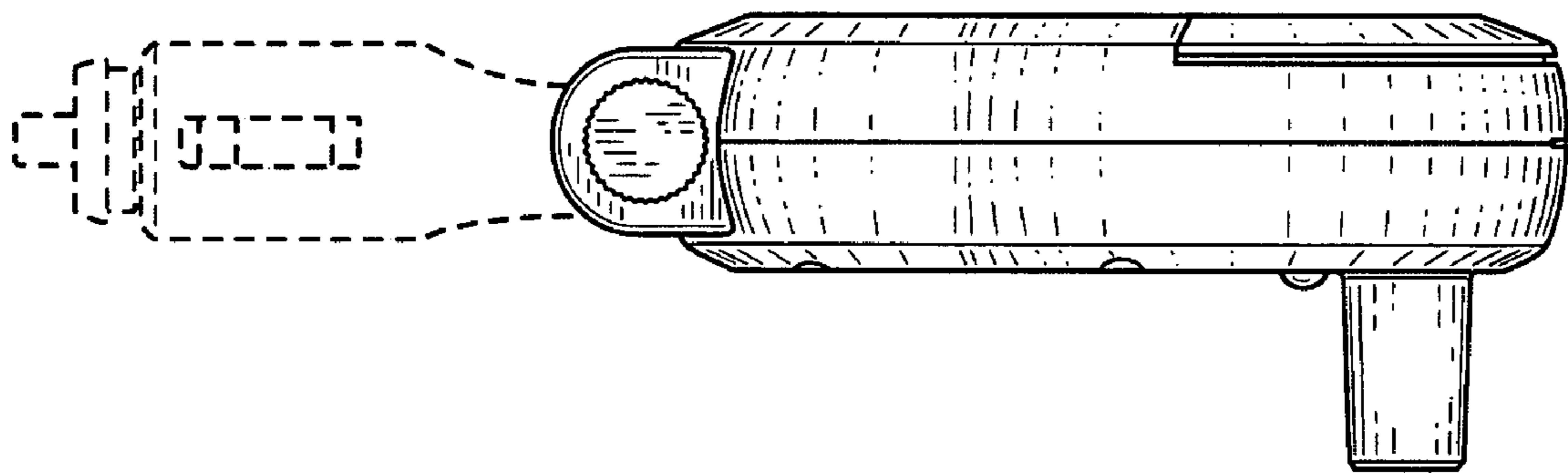


FIG. 5

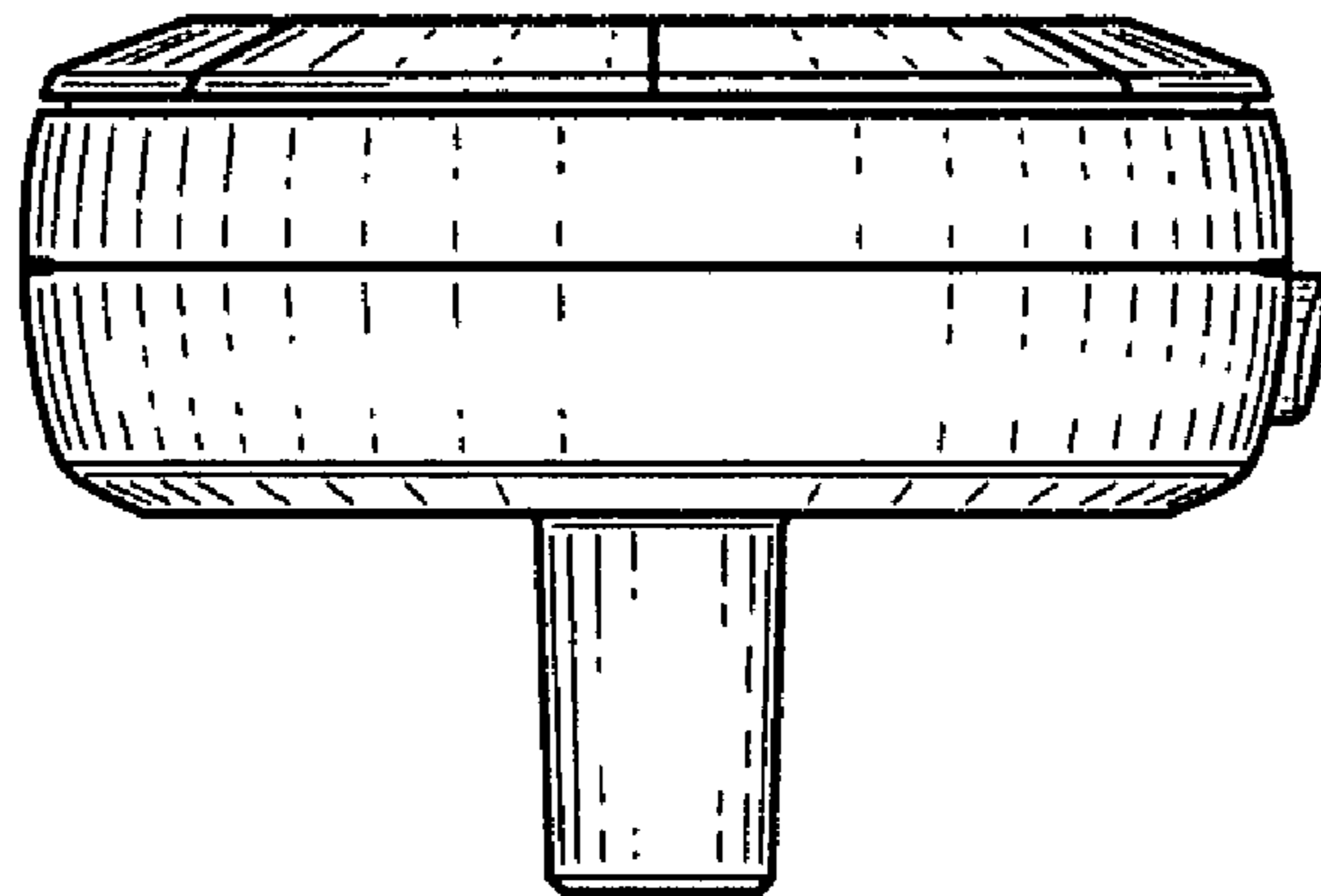


FIG. 6

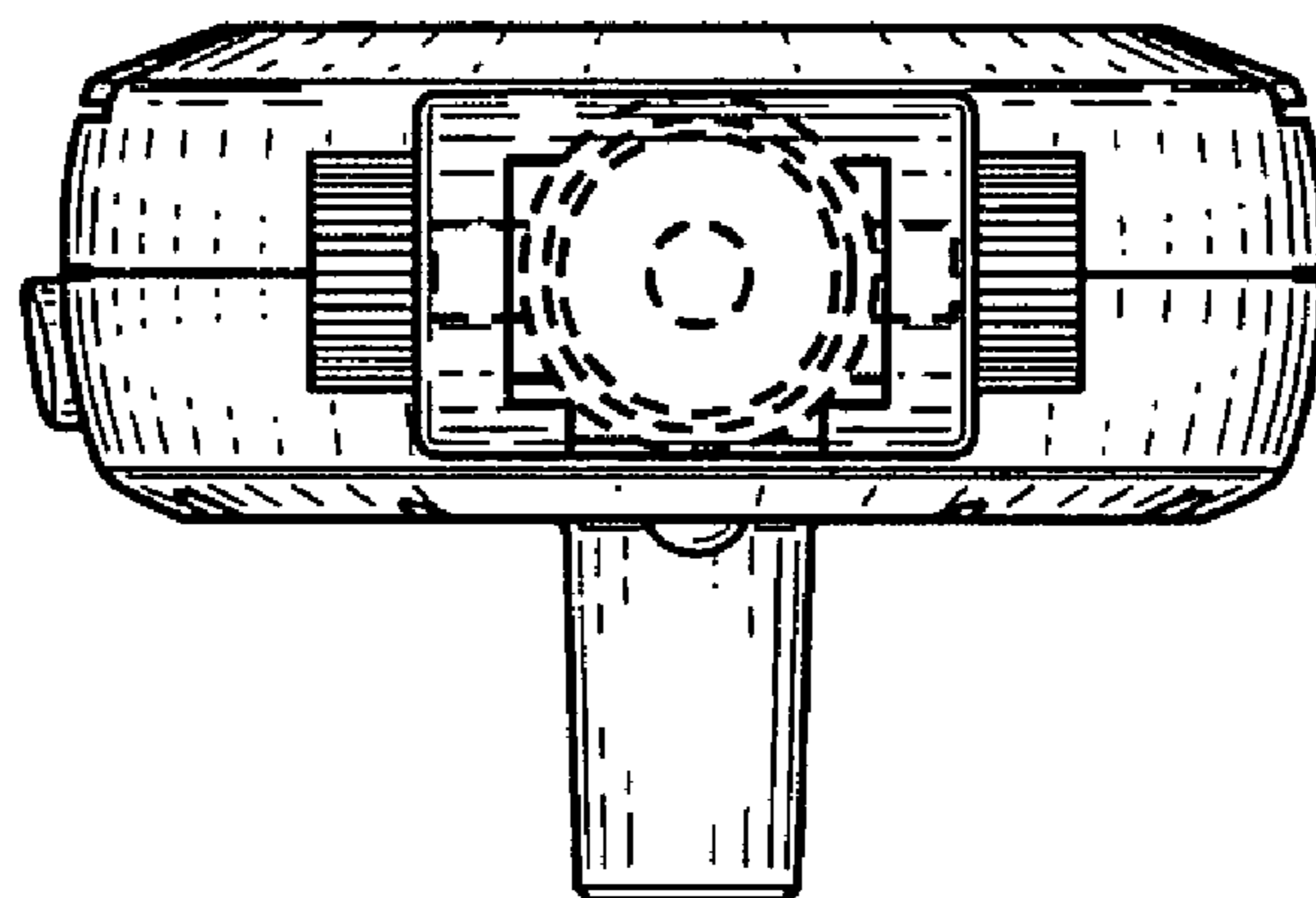


FIG. 7