

US00D596967S

(12) **United States Design Patent**
Bartoli

(10) **Patent No.:** **US D596,967 S**

(45) **Date of Patent:** **** Jul. 28, 2009**

(54) **MEASURING TOOL**

D538,686 S * 3/2007 McGinn et al. D10/70
D571,238 S * 6/2008 Stervermer D10/70

(75) Inventor: **Fred Bartoli**, Roselle, IL (US)

* cited by examiner

(73) Assignee: **FJB Industries, Inc.**, Schaumburg, IL (US)

Primary Examiner—Antoine D Davis

(74) *Attorney, Agent, or Firm*—Vedder Price P.C.

(**) Term: **14 Years**

(57) **CLAIM**

(21) Appl. No.: **29/327,361**

The ornamental design for a measuring tool, as shown and described.

(22) Filed: **Nov. 4, 2008**

DESCRIPTION

(51) **LOC (9) Cl.** **10-04**

FIG. 1 is a perspective view of the measuring tool showing my new design;

(52) **U.S. Cl.** **D10/70**

FIG. 2 is a first side elevation view thereof;

(58) **Field of Classification Search** D10/70;
33/345, DIG. 1, 772-782

FIG. 3 is a second side elevation view thereof;

See application file for complete search history.

FIG. 4 is a top plan view thereof;

(56) **References Cited**

FIG. 5 is a bottom plan view thereof;

U.S. PATENT DOCUMENTS

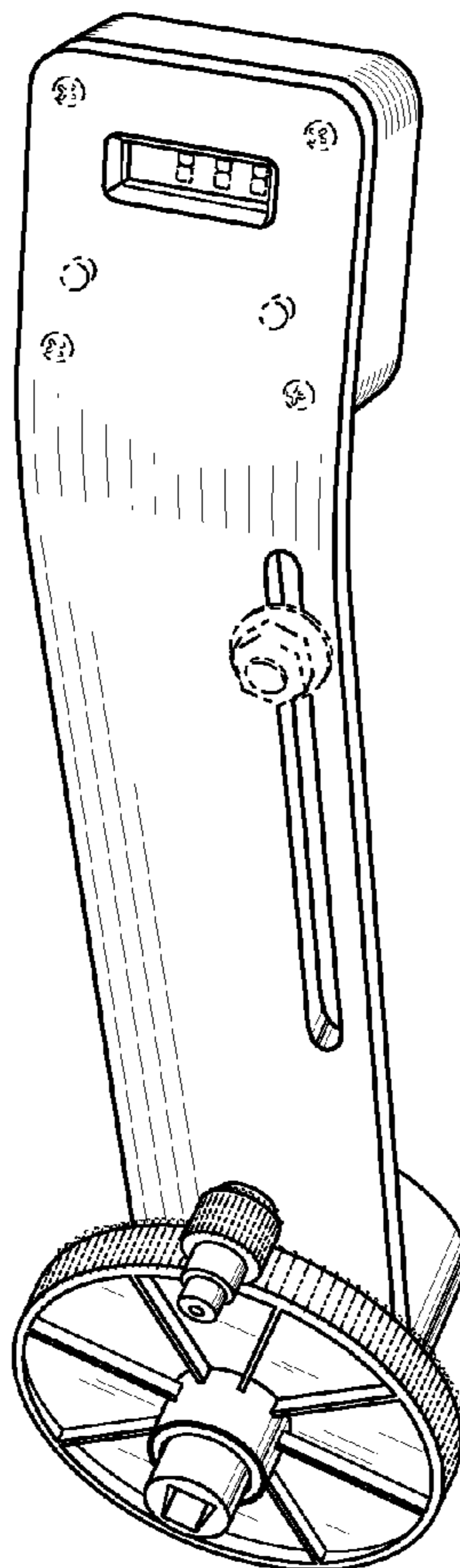
FIG. 6 is a front plan view thereof; and,

D437,796 S *	2/2001	Risi	D10/70
D458,162 S *	6/2002	Wightman	D10/70
D486,406 S *	2/2004	Critelli et al.	D10/70
D491,081 S *	6/2004	Olson et al.	D10/70
D499,033 S *	11/2004	Stevermer	D10/70
D500,692 S *	1/2005	Olson et al.	D10/70

FIG. 7 is a back plan view thereof.

The broken line portions of the drawings are for illustrative purposes only and form no part of the claimed design.

1 Claim, 2 Drawing Sheets



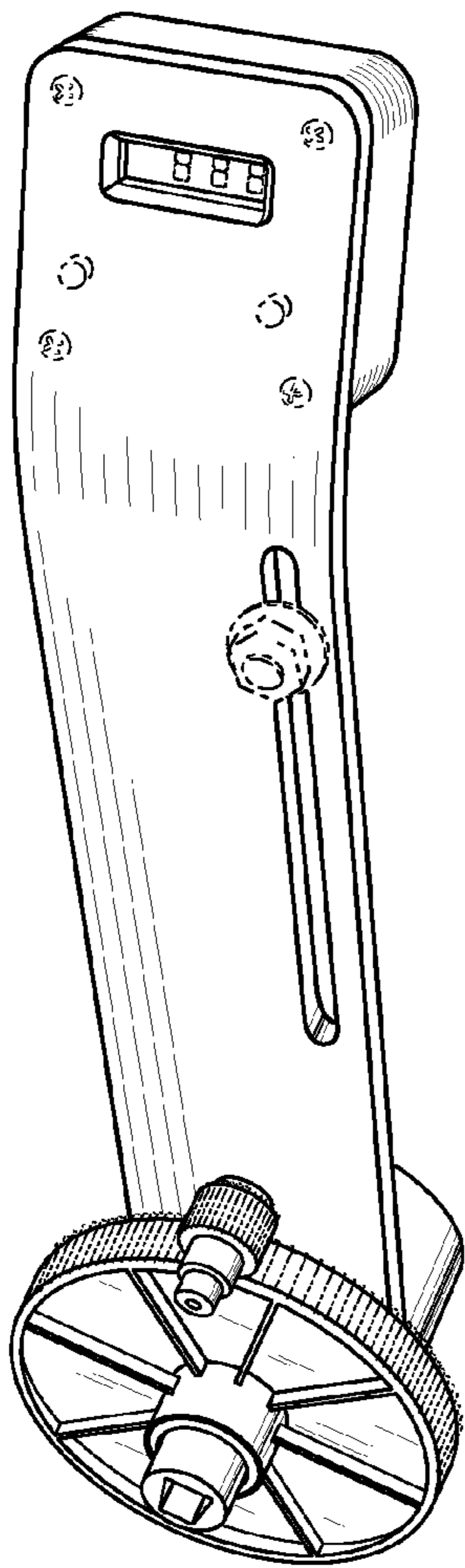


FIG. 1

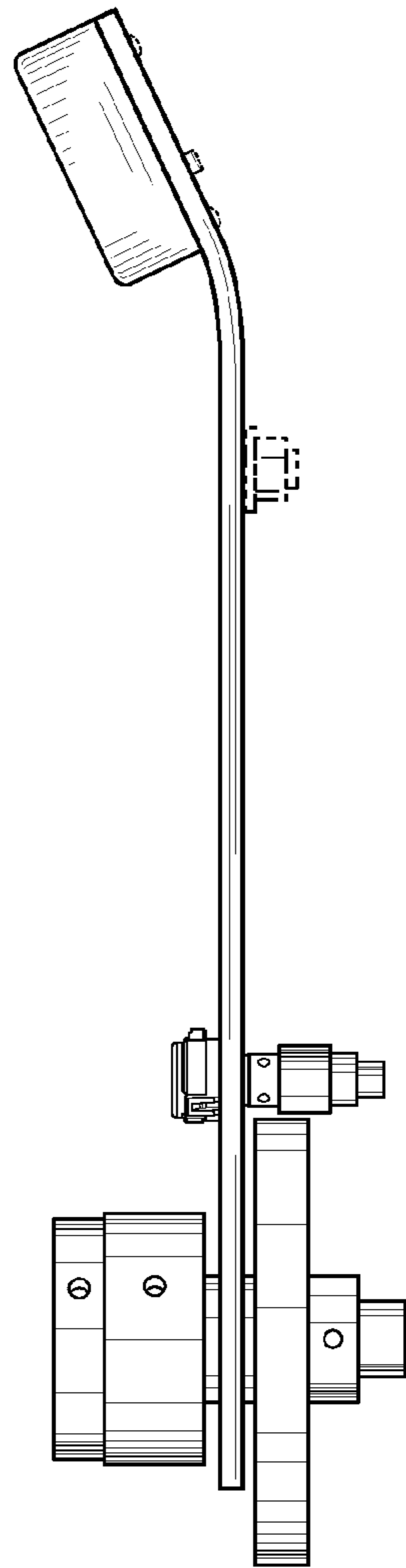


FIG. 2

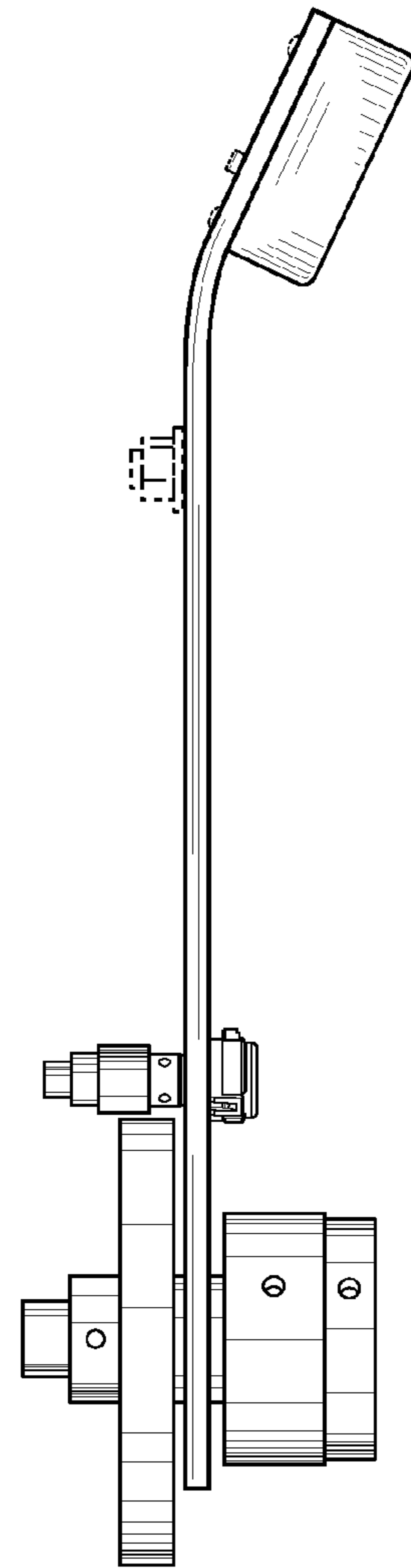


FIG. 3

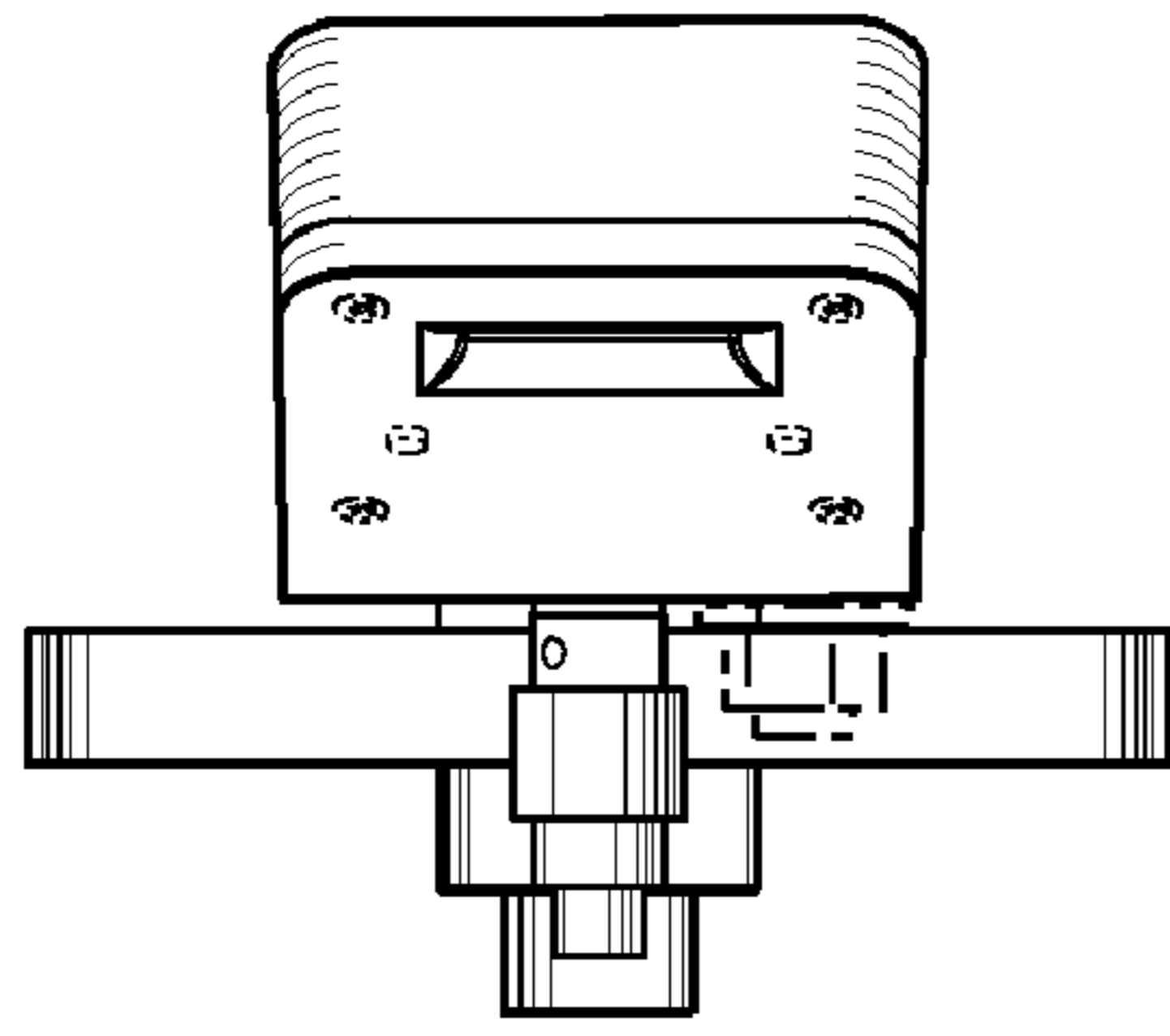


FIG. 4

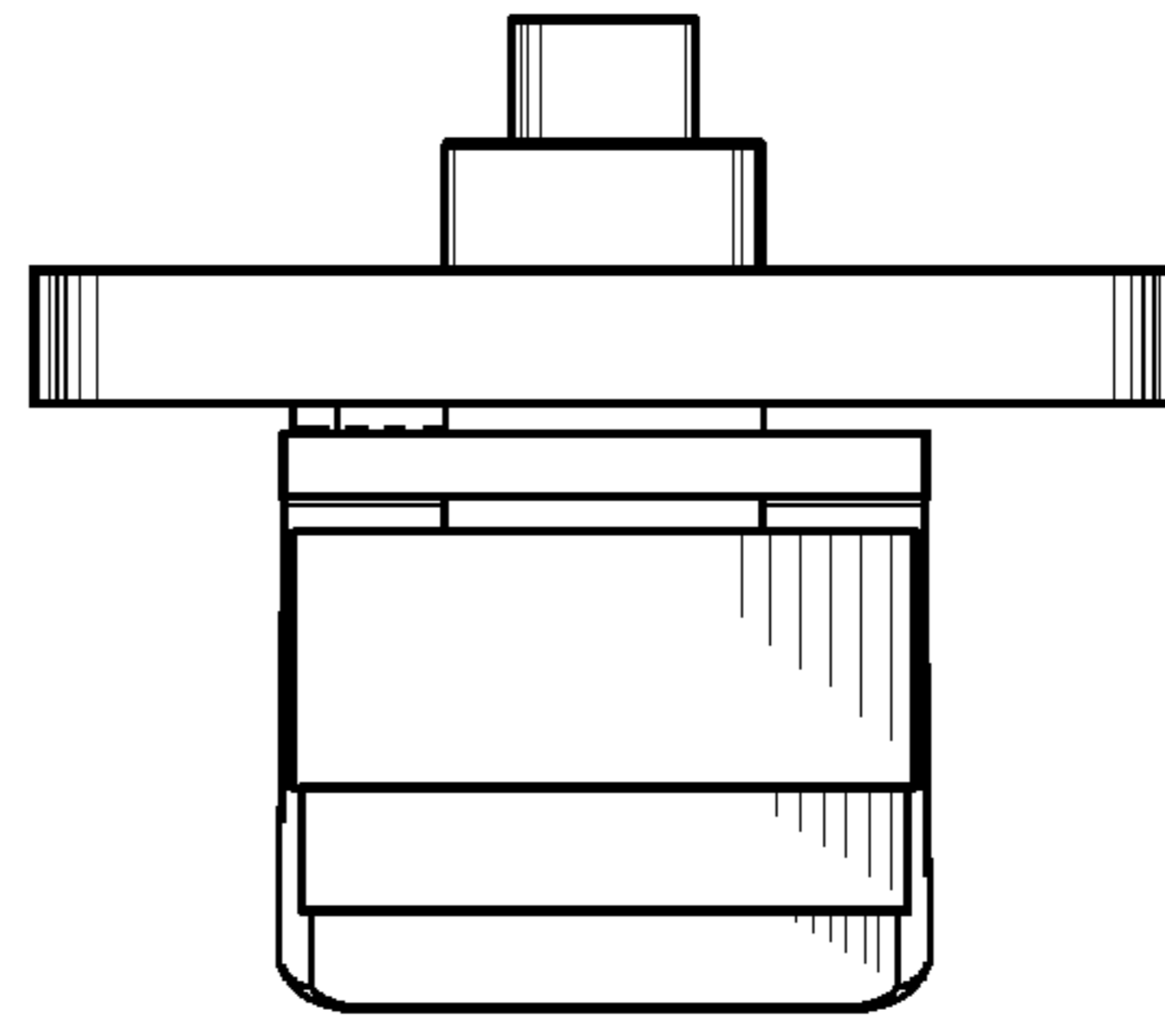


FIG. 5

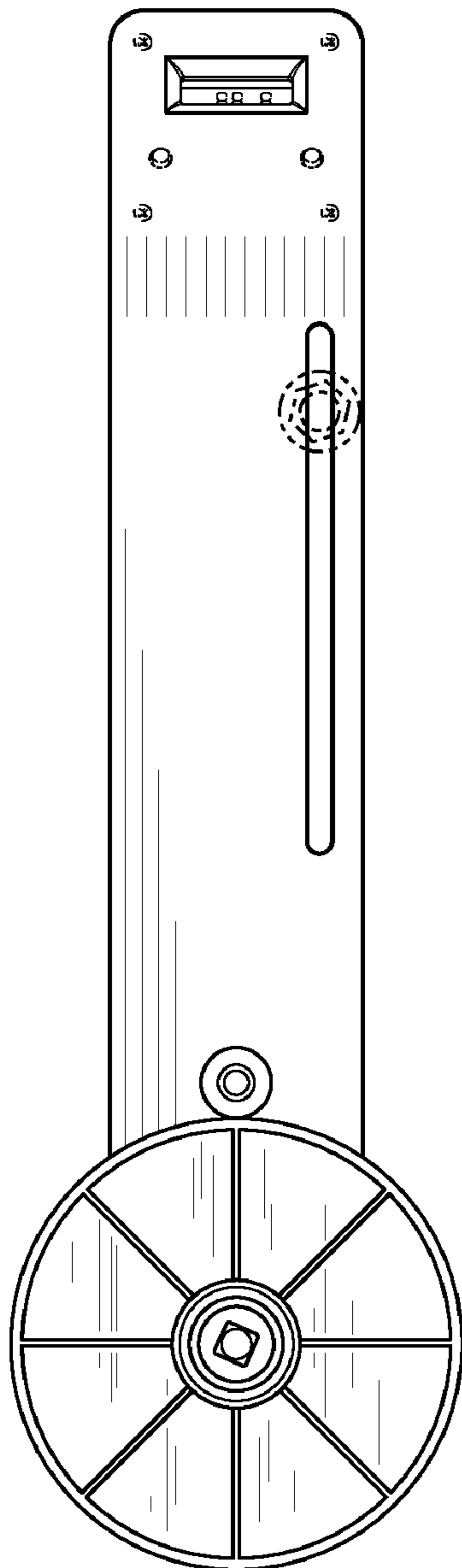


FIG. 6

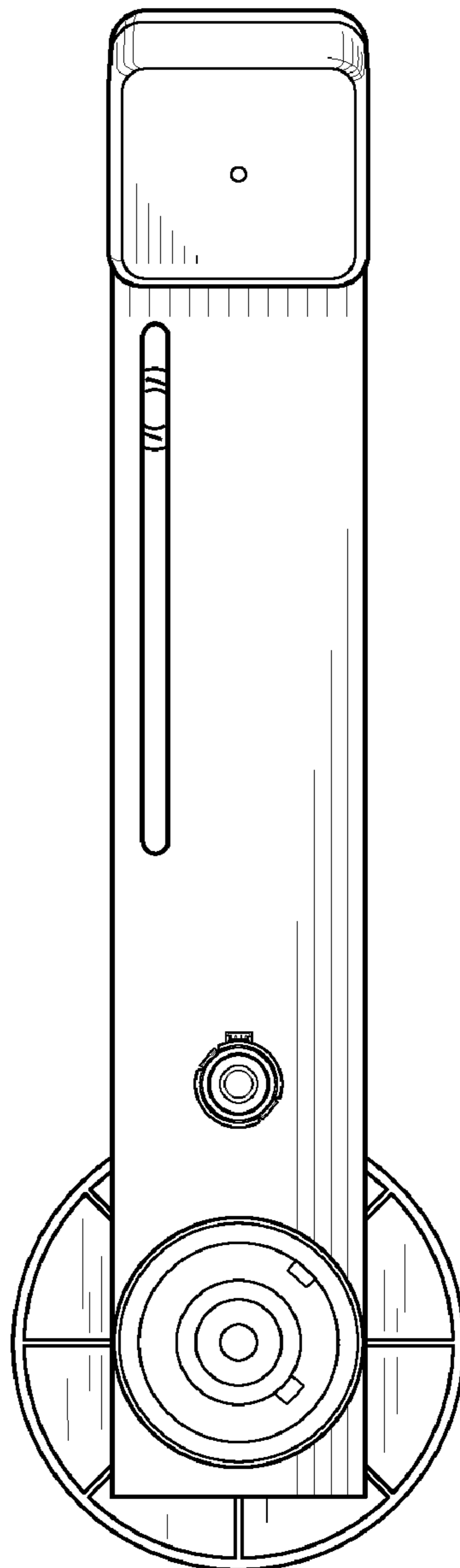


FIG. 7