



US00D596966S

(12) **United States Design Patent**
Daniel

(10) **Patent No.:** **US D596,966 S**
(45) **Date of Patent:** **** Jul. 28, 2009**

(54) **SYSTEM FOR PROVIDING LOCATION
BASED HUMAN LOGISTICS NETWORKING**

Primary Examiner—Antoine D Davis
(74) *Attorney, Agent, or Firm—Carol N. Green, Esq.*

(76) **Inventor:** **Isaac Sayo Daniel**, 200 S. Biscayne
Blvd., Suite 2650, Miami, FL (US)
33131

(57) **CLAIM**

The ornamental design for system for providing location
based human logistics networking, as shown and described.

(**) **Term:** **14 Years**

(21) **Appl. No.:** **29/308,130**

DESCRIPTION

(22) **Filed:** **May 29, 2008**

FIG. 1 is a side view of the invention.

(51) **LOC (9) Cl.** **10-04**

FIG. 2 is a rear perspective view of the invention.

(52) **U.S. Cl.** **D10/65**

FIG. 3 is a front plan view of the invention.

(58) **Field of Classification Search** D10/65,

FIG. 4 is a rear plan view of the invention.

D10/70; D14/144, 149, 137, 138, 147, 148,

FIG. 5 is a top view of the invention.

D14/247–248, 341–347; 379/433.01–433.13,

FIG. 6 is a bottom view of the invention.

379/419, 434, 428.01–428.04, 420.01–420.04,

FIG. 7 is a left elevational view of the invention.

379/440; 455/575.6, 95, 128, 347, 90

FIG. 8 is a right elevational view of the invention; and,

See application file for complete search history.

FIG. 9 is a front perspective view of the invention.

(56) **References Cited**

FIGS. 1 and 2 show features of an article of system for
providing location based human logistics networking in
phantom lines. The phantom lines are for illustrative purposes
only, forming no part of the claimed design.

U.S. PATENT DOCUMENTS

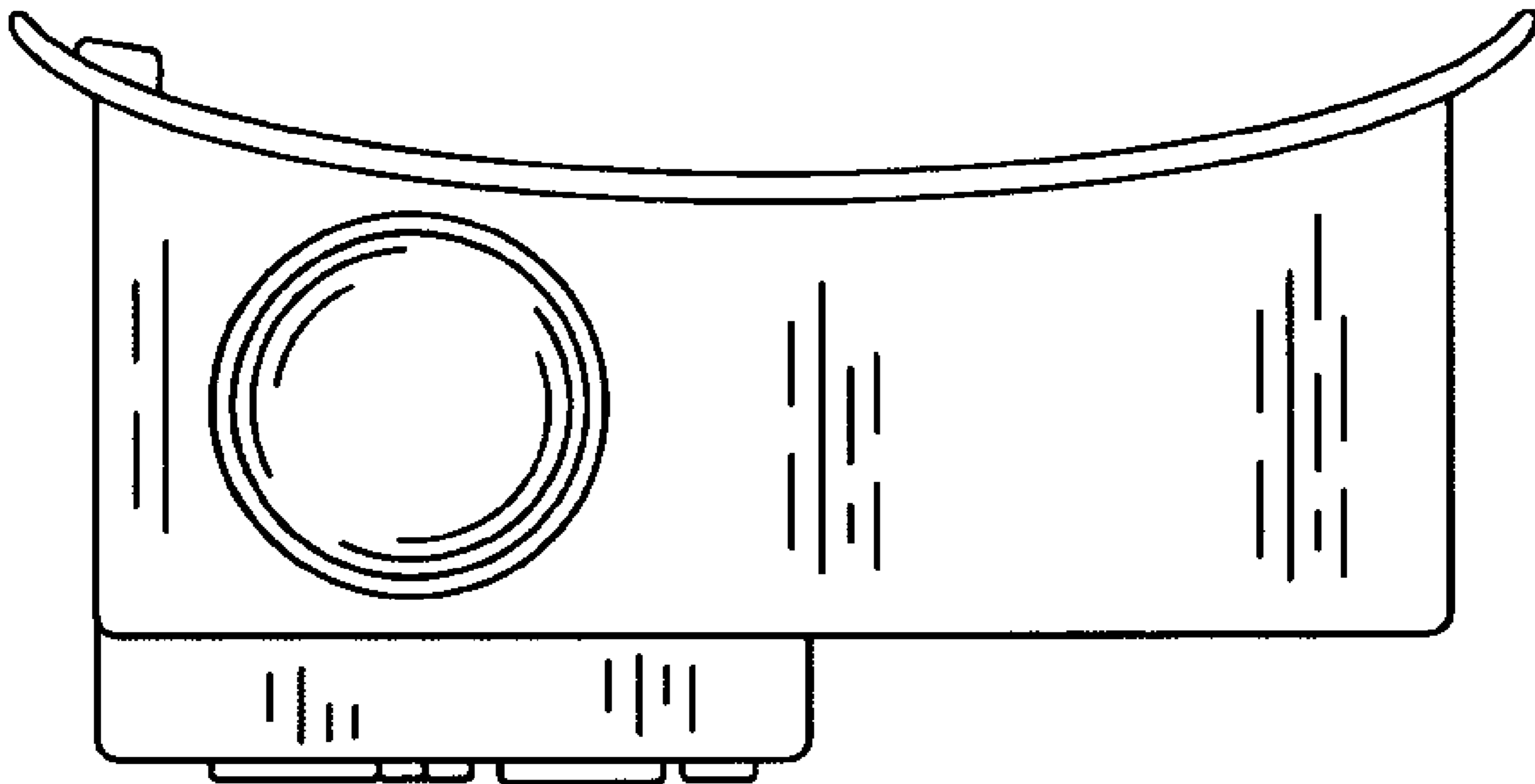
D462,284 S * 9/2002 Womack D10/65

D549,602 S * 8/2007 Oberrieder et al. D10/65

D569,282 S * 5/2008 Daniel D10/65

* cited by examiner

1 Claim, 6 Drawing Sheets



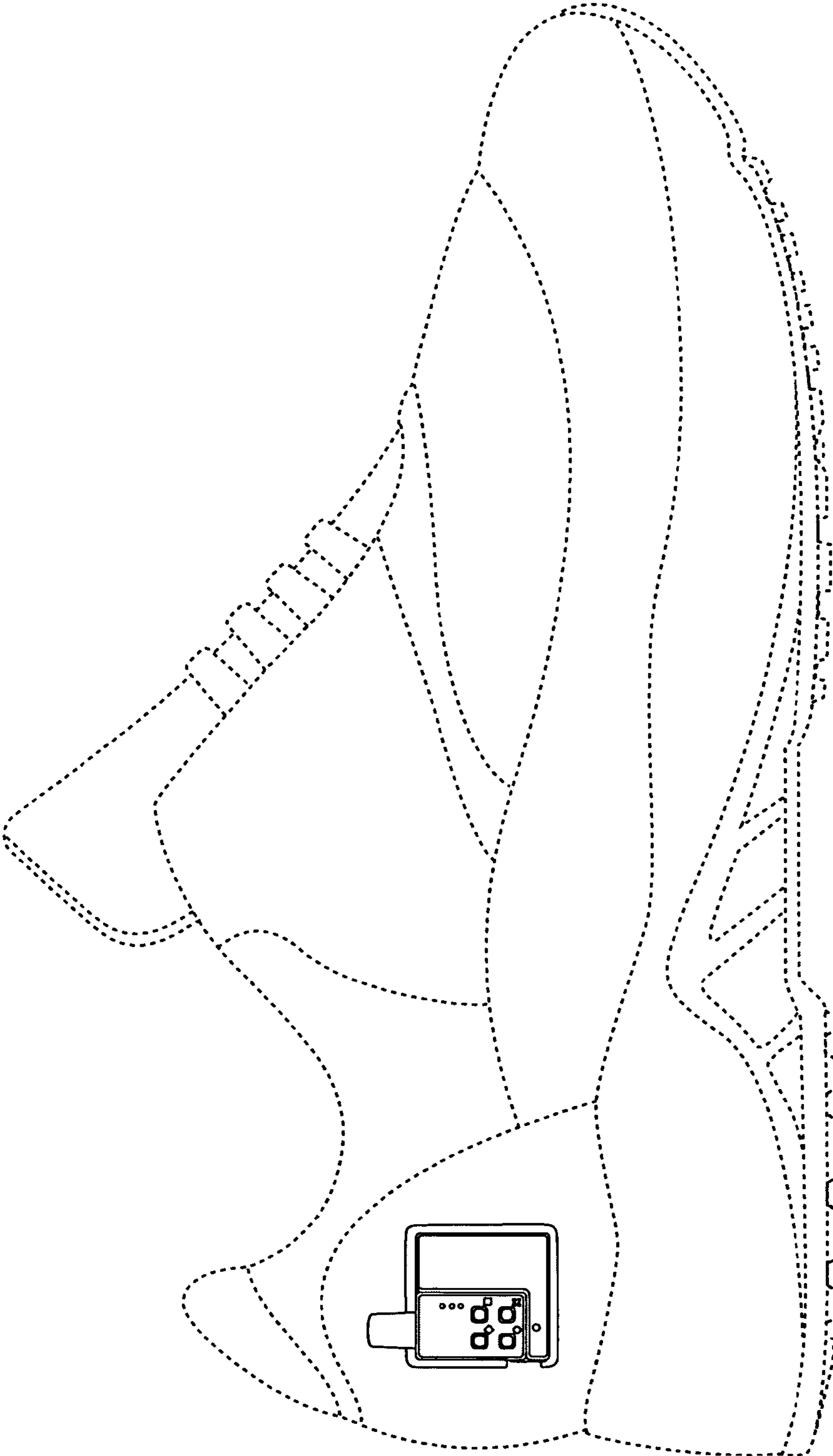


Fig. 1

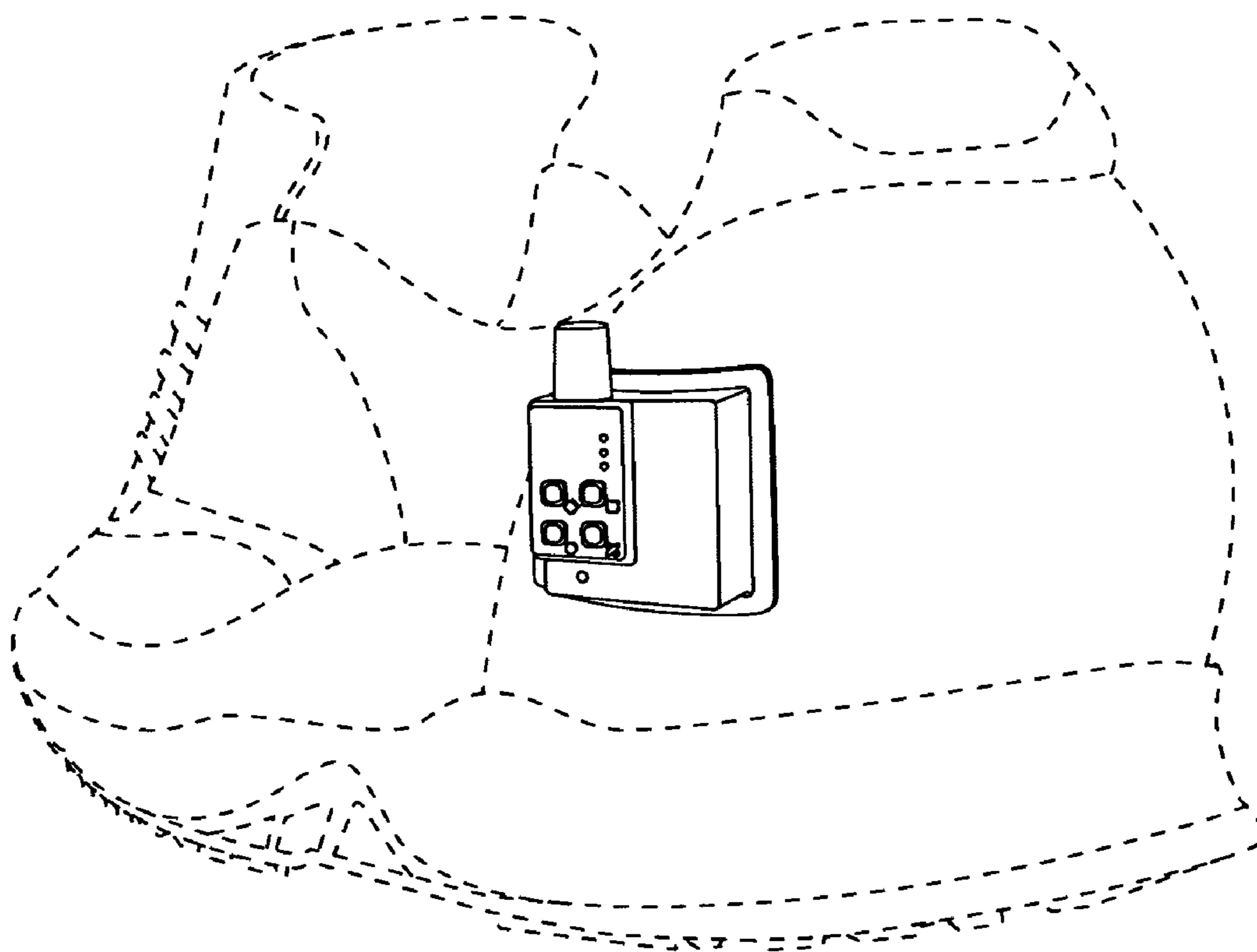


Fig. 2

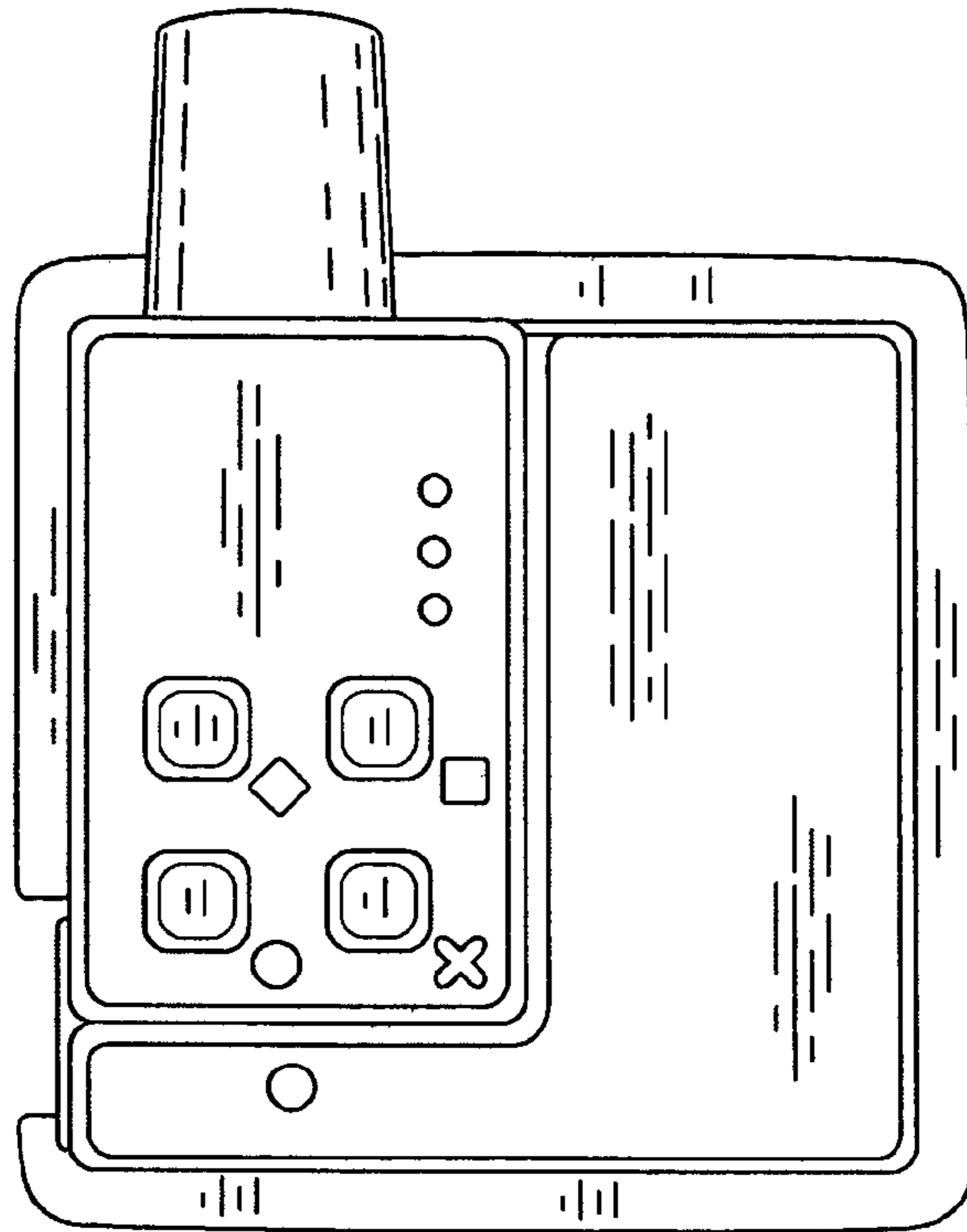


Fig. 3

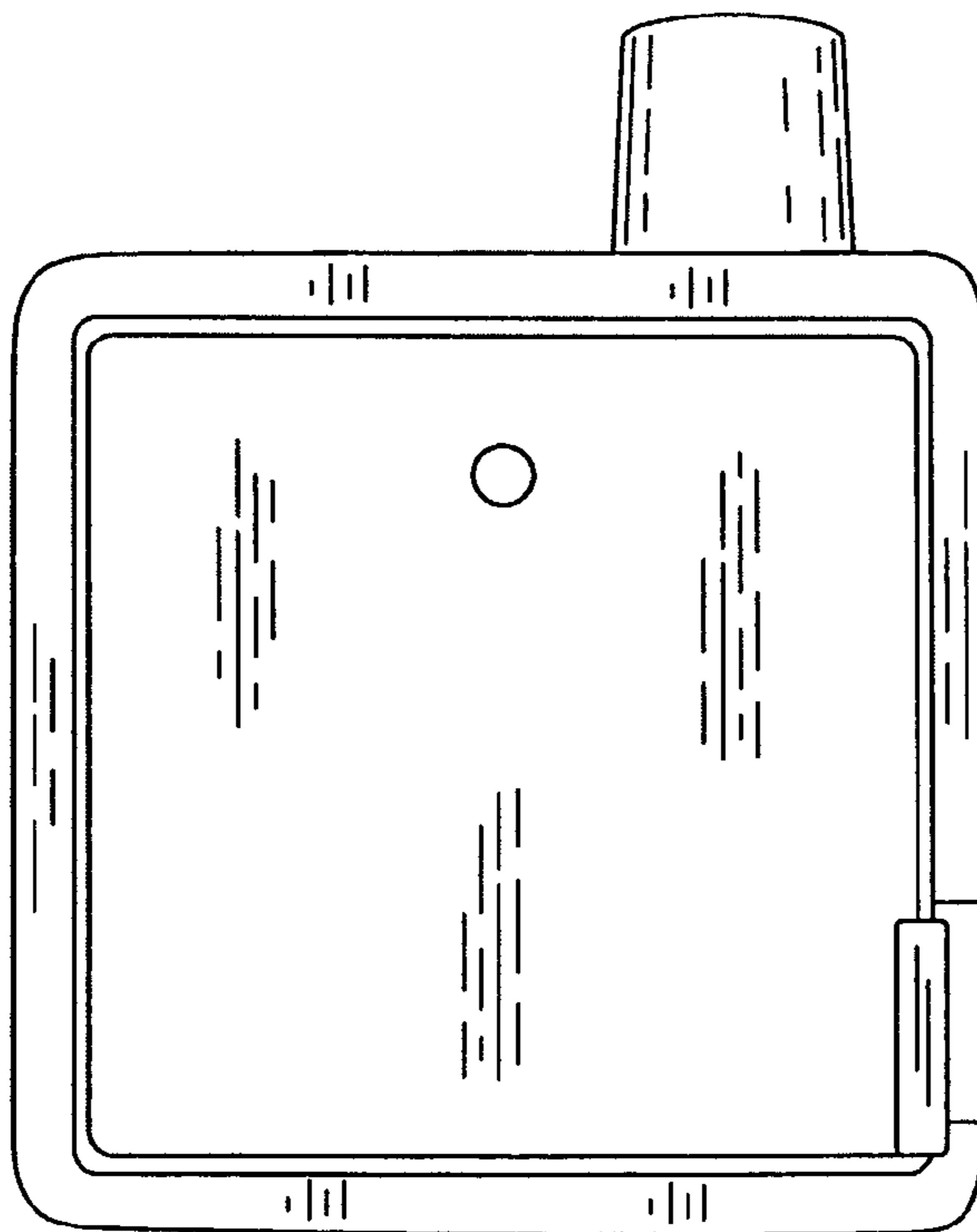


Fig. 4

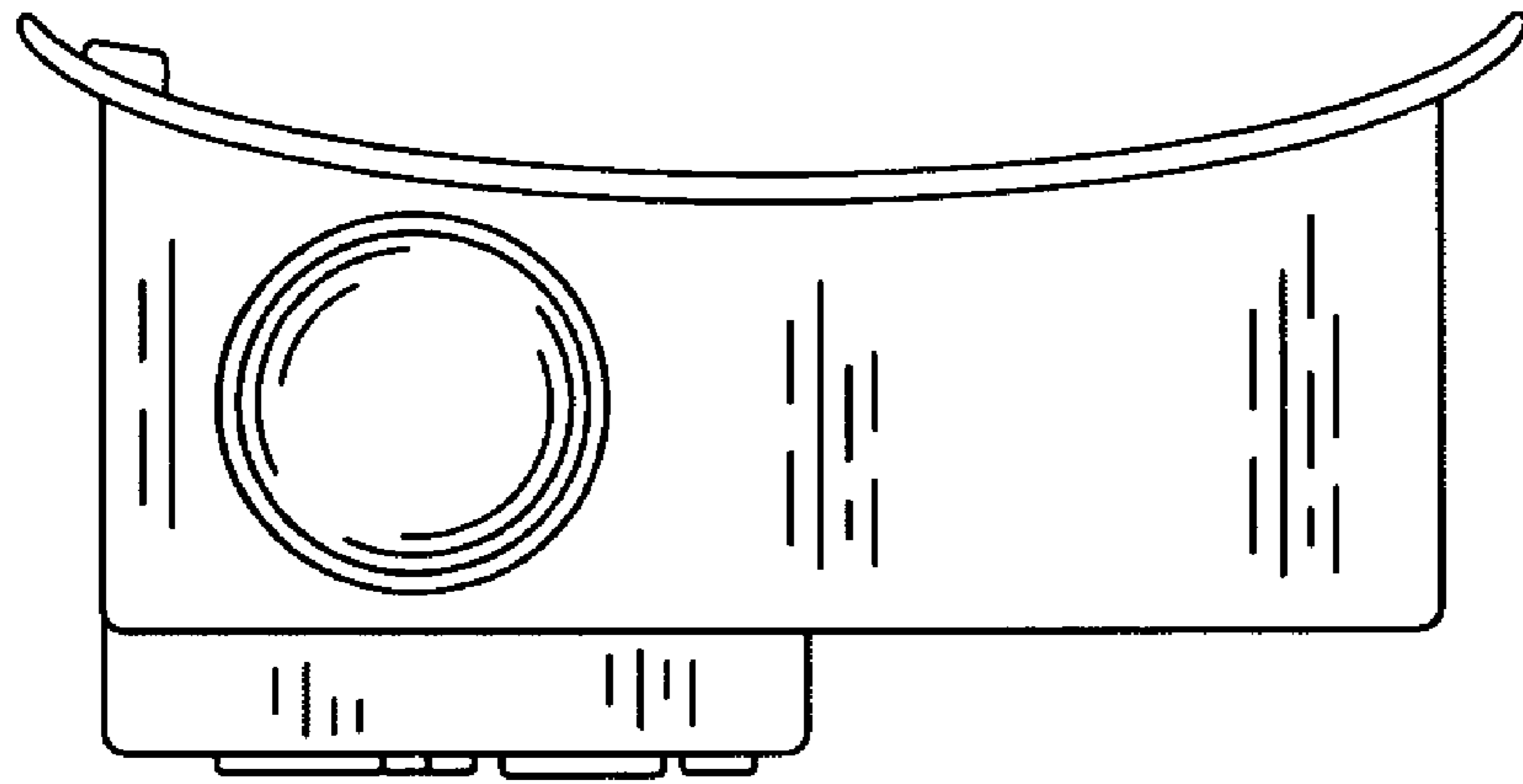


Fig. 5

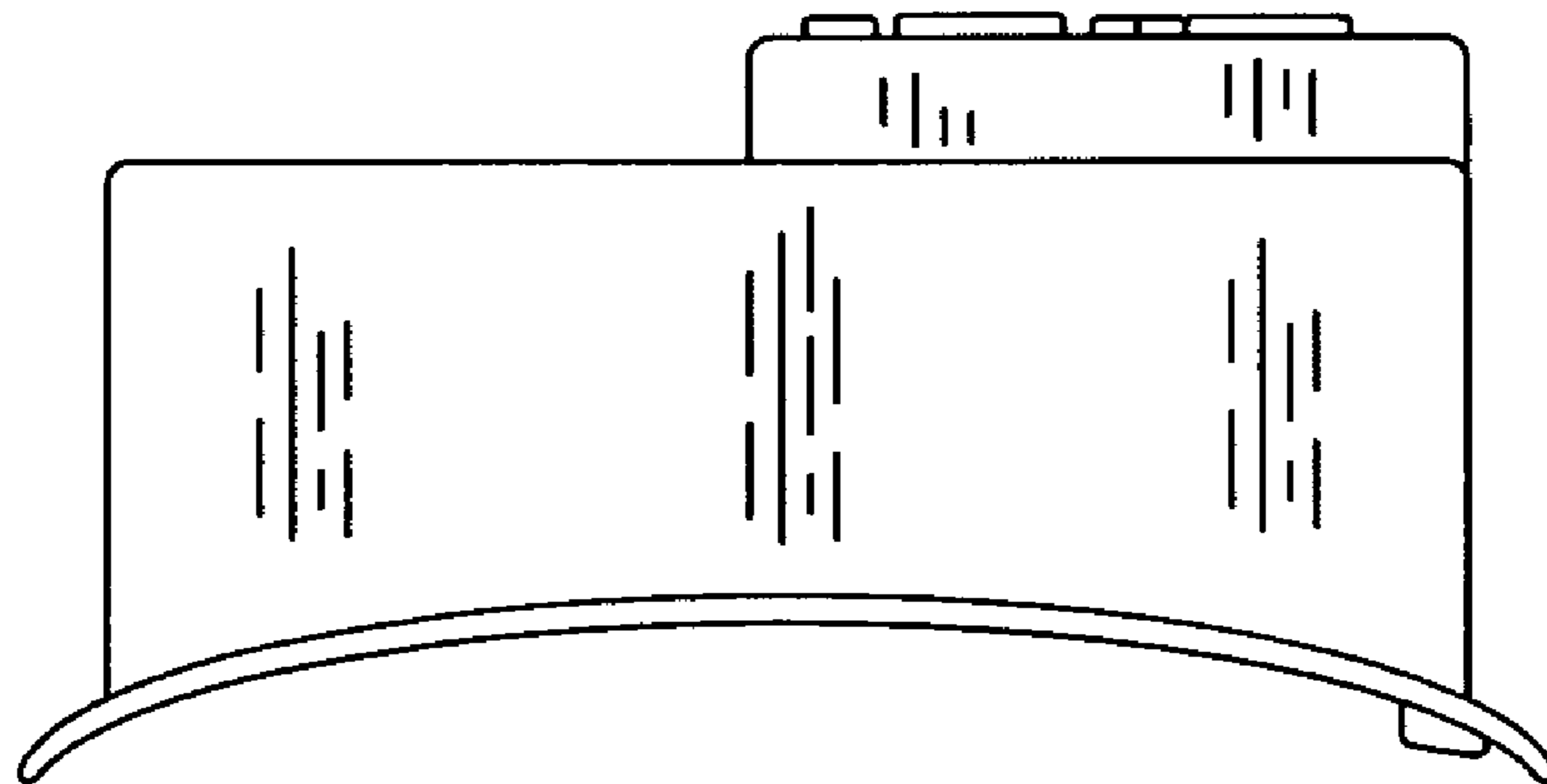


Fig. 6

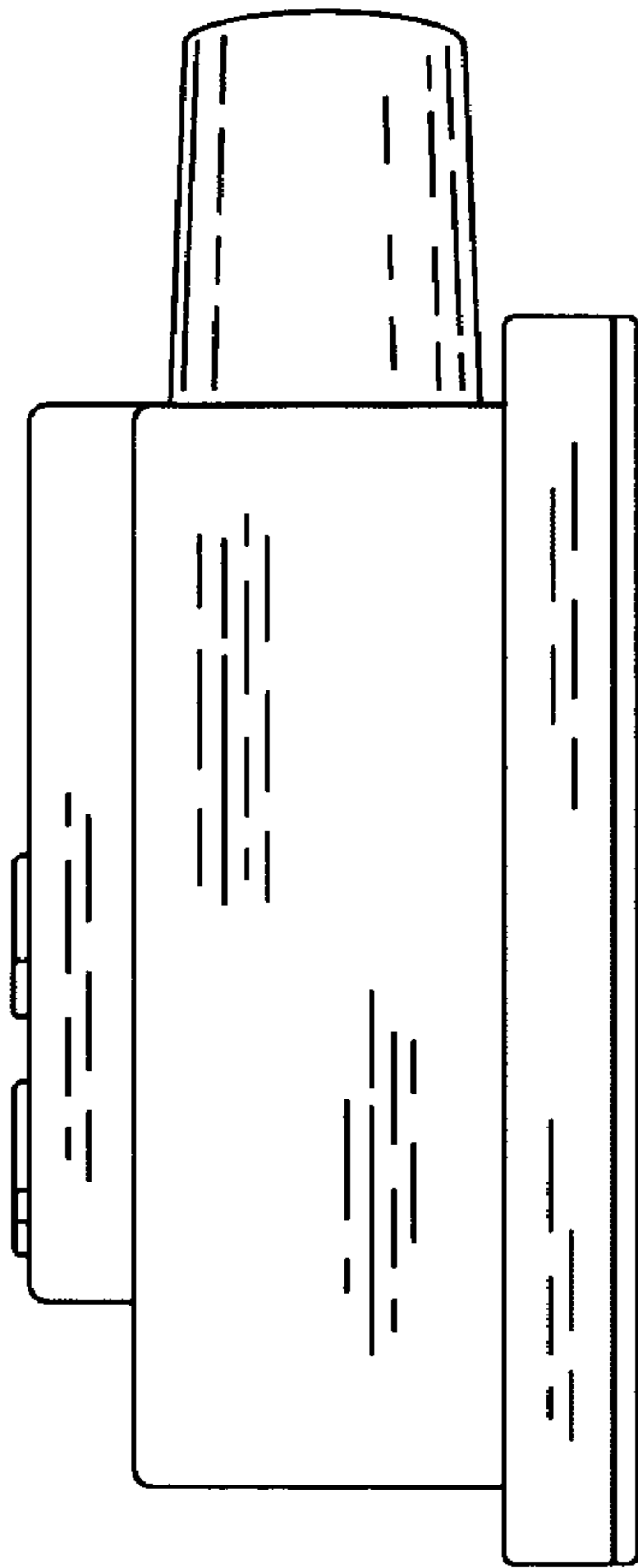


Fig. 7

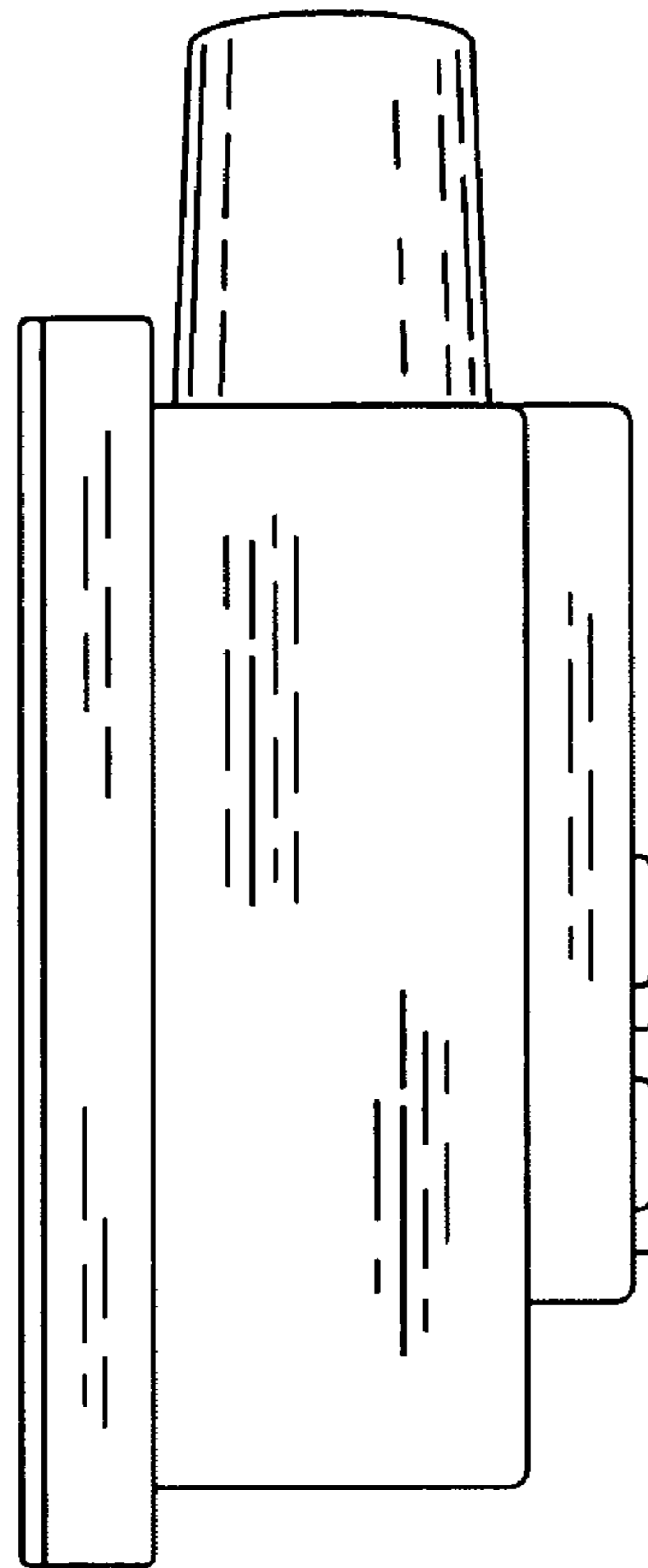


Fig. 8

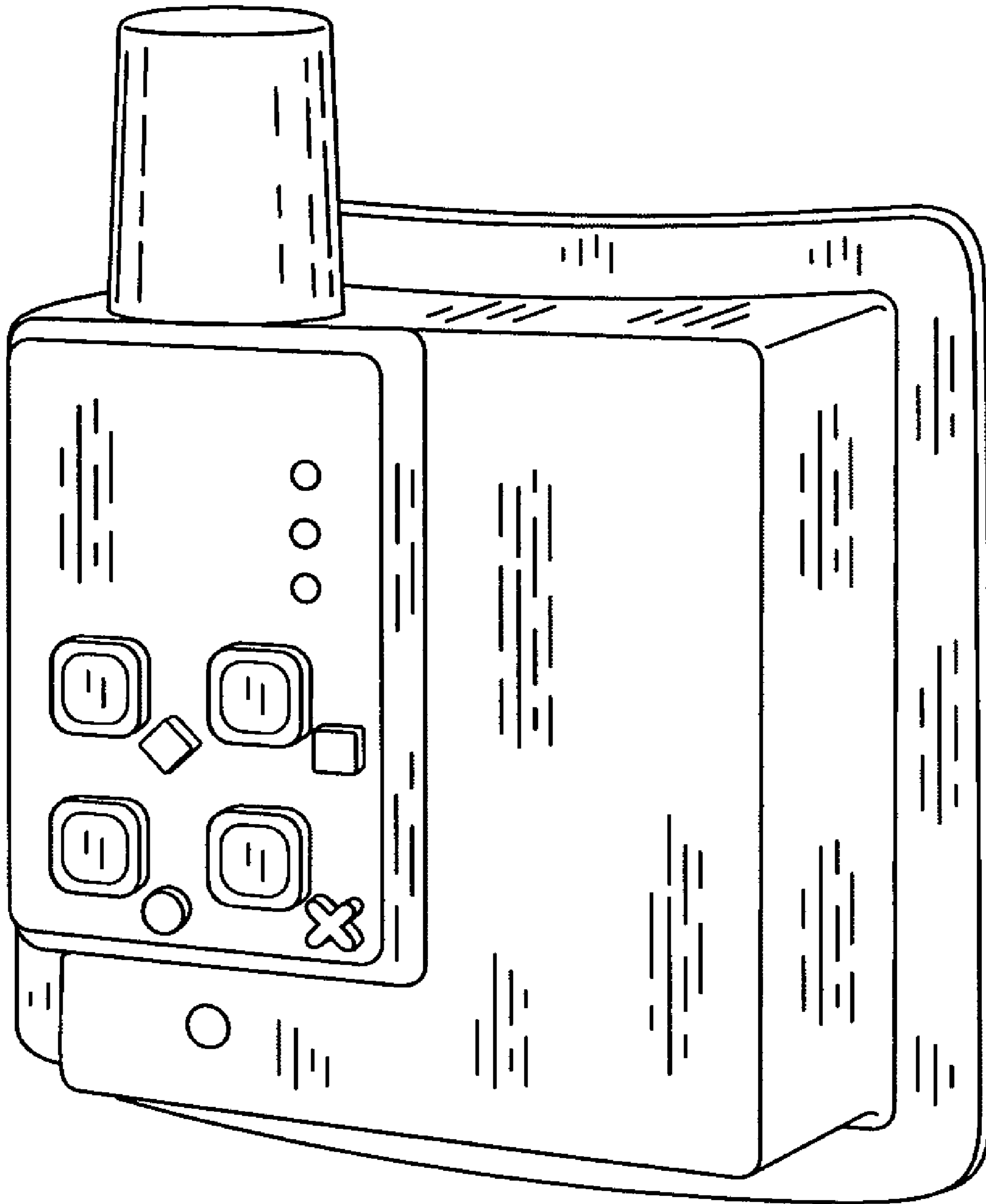


Fig. 9