

US00D596962S

(12) **United States Design Patent**  
**Okamoto et al.**

(10) **Patent No.:** **US D596,962 S**

(45) **Date of Patent:** **\*\* Jul. 28, 2009**

(54) **CONSTANT-TEMPERATURE INCUBATOR**

(75) Inventors: **Yasutoshi Okamoto**, Osaka (JP);  
**Akihiro Mochizuki**, Osaka (JP)

(73) Assignee: **Sanyo Electric Co., Ltd.**, Osaka (JP)

(\*\*) Term: **14 Years**

(21) Appl. No.: **29/309,644**

(22) Filed: **Sep. 18, 2008**

(30) **Foreign Application Priority Data**

Apr. 28, 2008 (JP) ..... 2008-010845  
Apr. 28, 2008 (JP) ..... 2008-010847

(51) **LOC (9) Cl.** ..... **10-04**

(52) **U.S. Cl.** ..... **D10/50**

(58) **Field of Classification Search** ..... D10/49-50;  
236/5, 46 R-46 F, 47, 49.3, 51, 84, 94; 340/7.21-7.24,  
340/7.32, 825.6, 825.72, 539.1, 539.14, 539.21,  
340/539.26, 426.21, 584.589, 870.17; 455/420,  
455/226.1

See application file for complete search history.

(56) **References Cited**

**U.S. PATENT DOCUMENTS**

D402,569 S \* 12/1998 Papic et al. .... D10/50  
D434,338 S \* 11/2000 Odom et al. .... D10/49  
D505,344 S \* 5/2005 Roher et al. .... D10/50

D516,925 S \* 3/2006 Roher et al. .... D10/50  
\* cited by examiner

*Primary Examiner*—Antoine D Davis  
(74) *Attorney, Agent, or Firm*—Rabin & Berdo, PC

(57) **CLAIM**

The ornamental design for a constant-temperature incubator,  
as shown and described.

**DESCRIPTION**

FIG. 1 is a perspective view of a first embodiment of a constant-temperature incubator showing our new design;

FIG. 2 is a front elevation view of FIG. 1;

FIG. 3 is a rear elevation view of FIG. 1;

FIG. 4 is a top plan view of FIG. 1;

FIG. 5 is a bottom plan view of FIG. 1;

FIG. 6 is a right side view of FIG. 1;

FIG. 7 is a left side view of FIG. 1;

FIG. 8 is a perspective view of a second embodiment of a constant-temperature incubator showing our new design;

FIG. 9 is a front elevation view of FIG. 8;

FIG. 10 is a rear elevation view of FIG. 8;

FIG. 11 is a top plan view of FIG. 8;

FIG. 12 is a bottom plan view of FIG. 8;

FIG. 13 is a right side view of FIG. 8; and,

FIG. 14 is a left side view of FIG. 8.

**1 Claim, 10 Drawing Sheets**

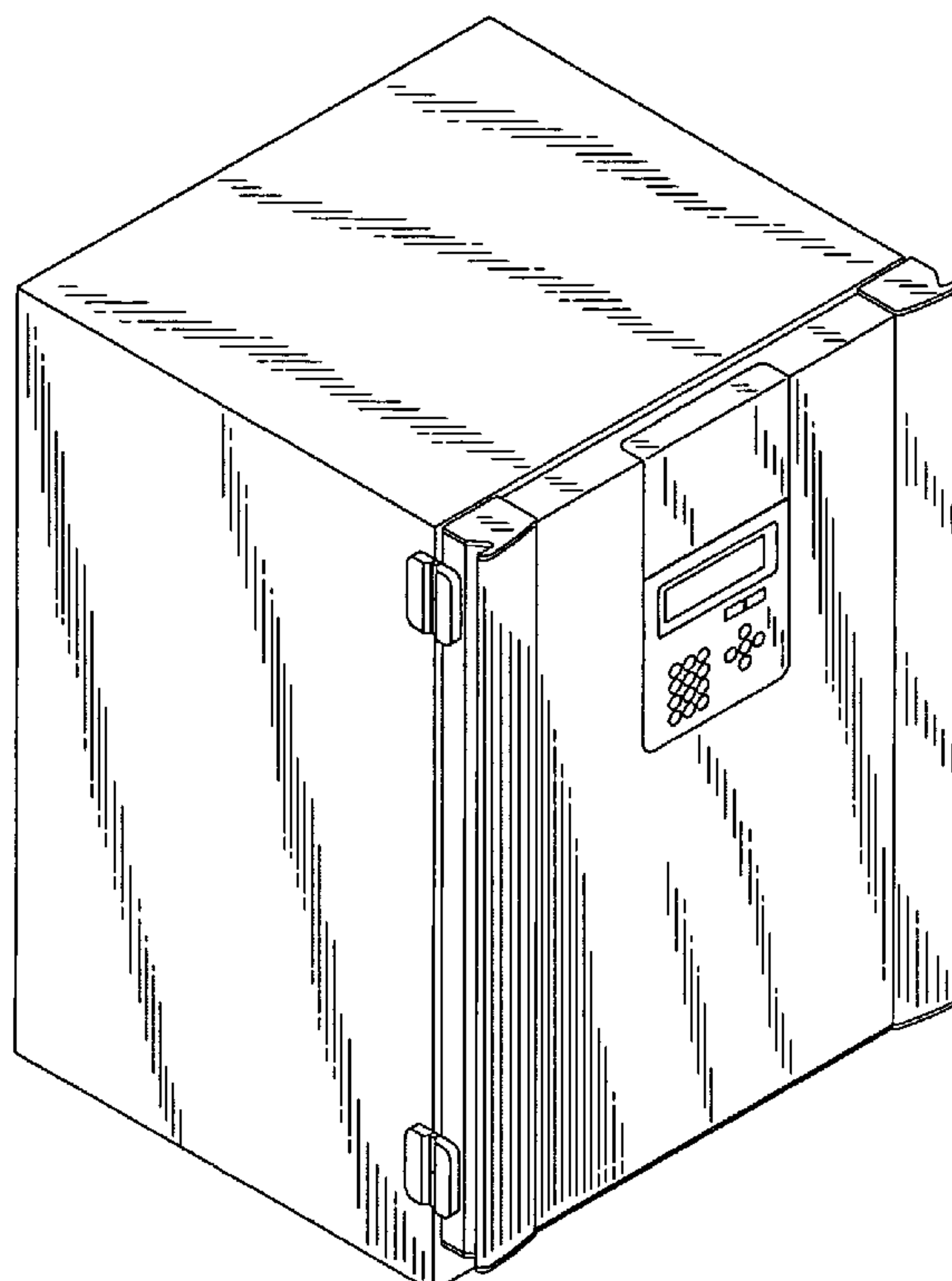


FIG. 1

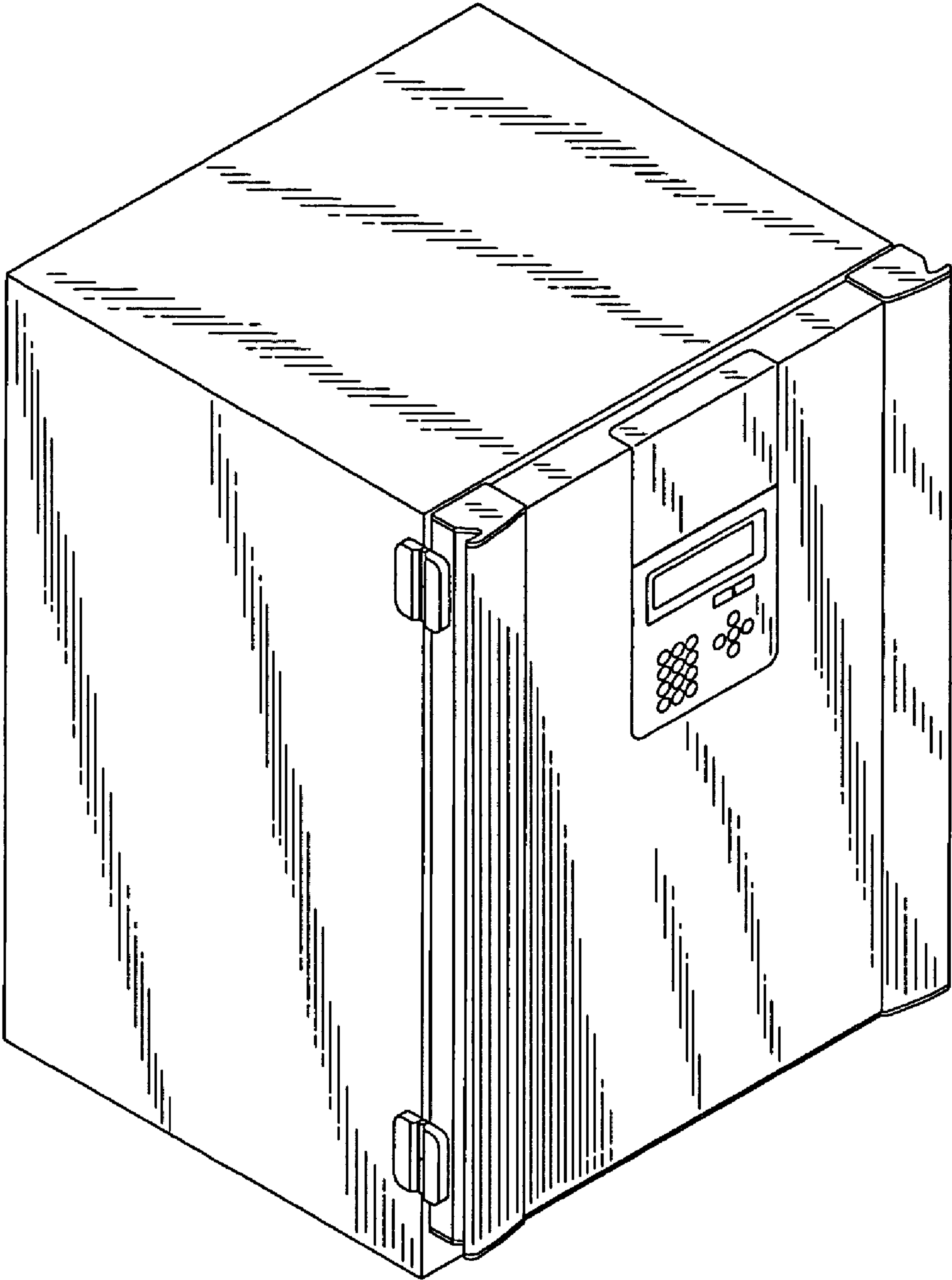


FIG. 2

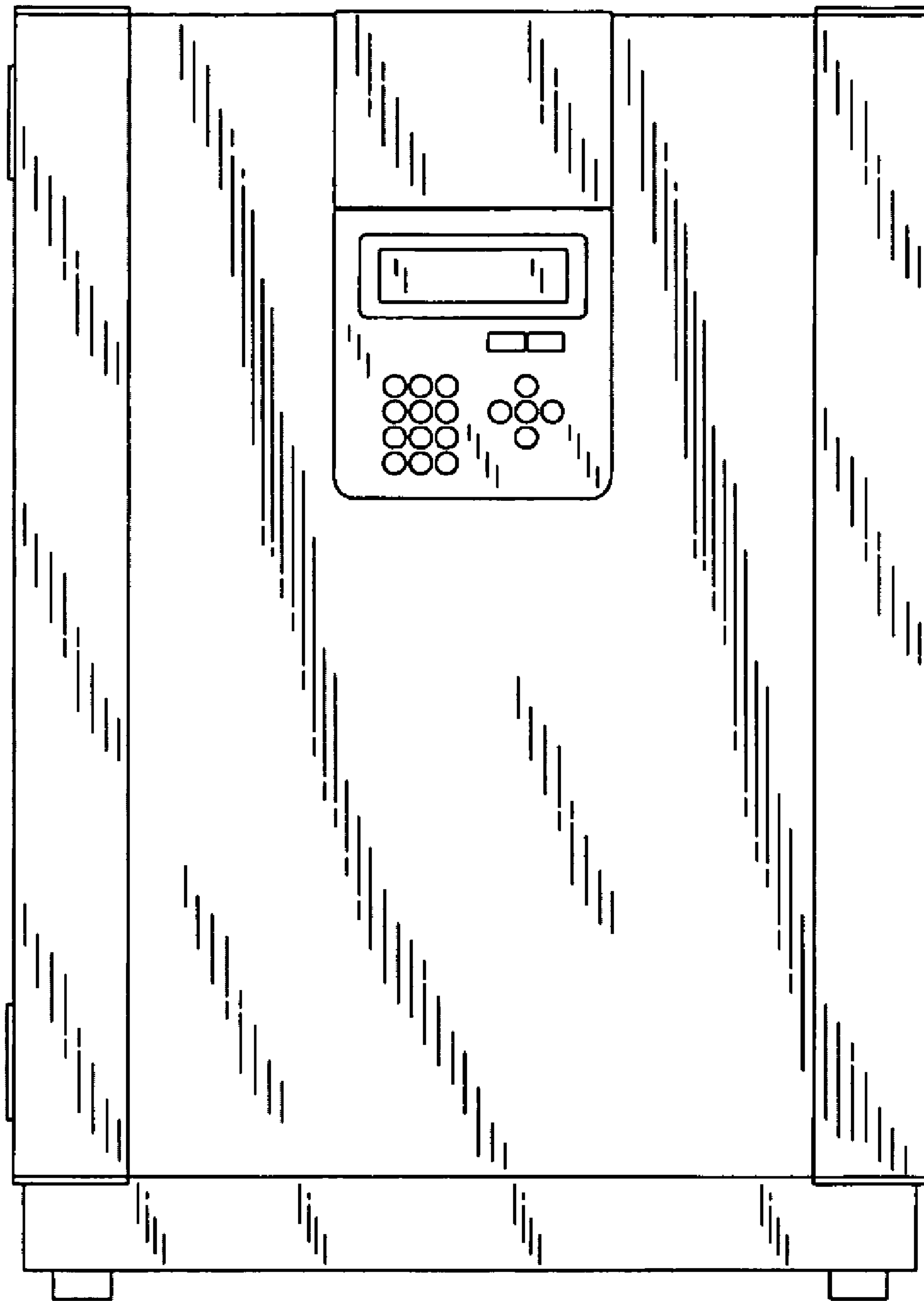


FIG. 3

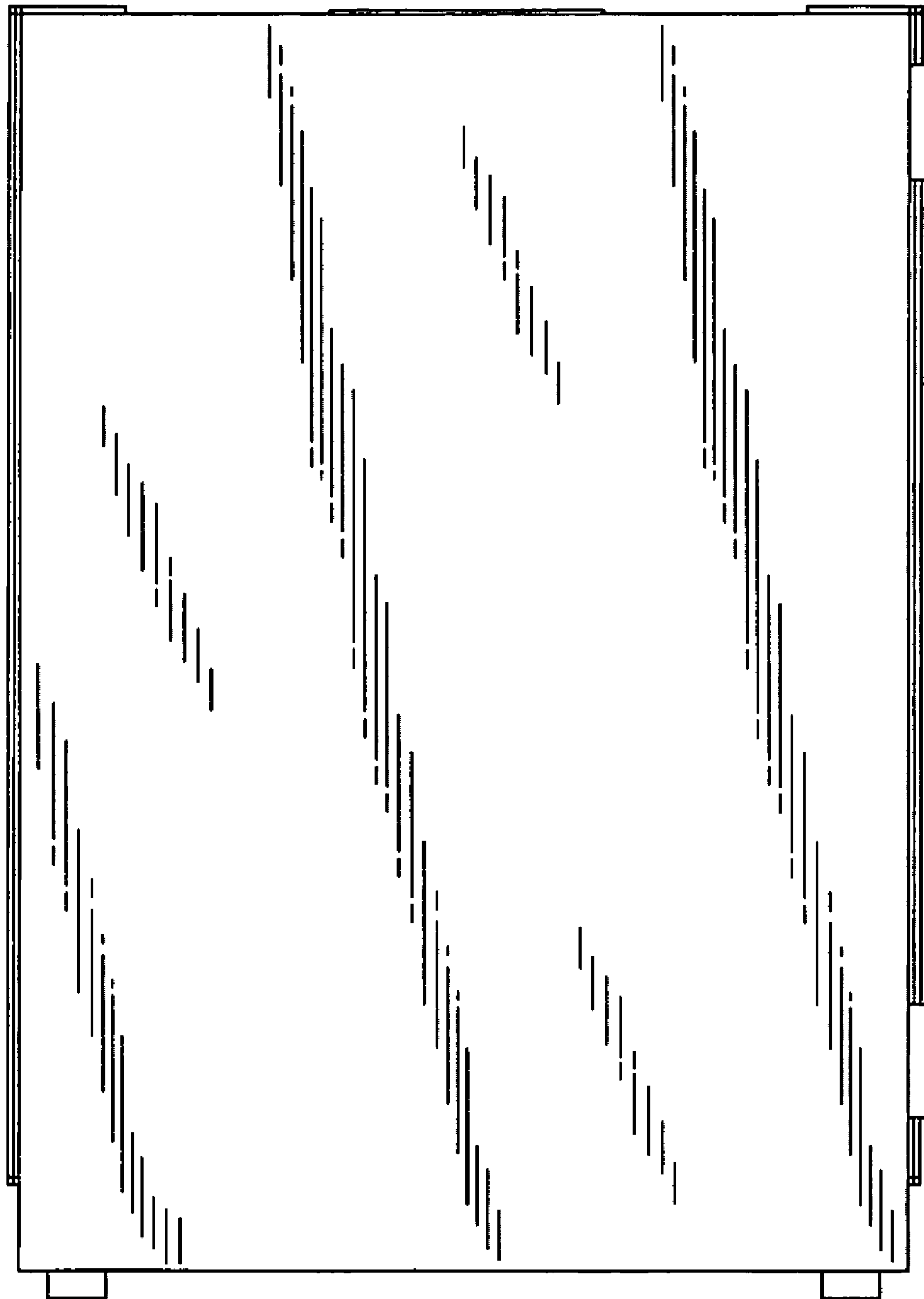


FIG. 4

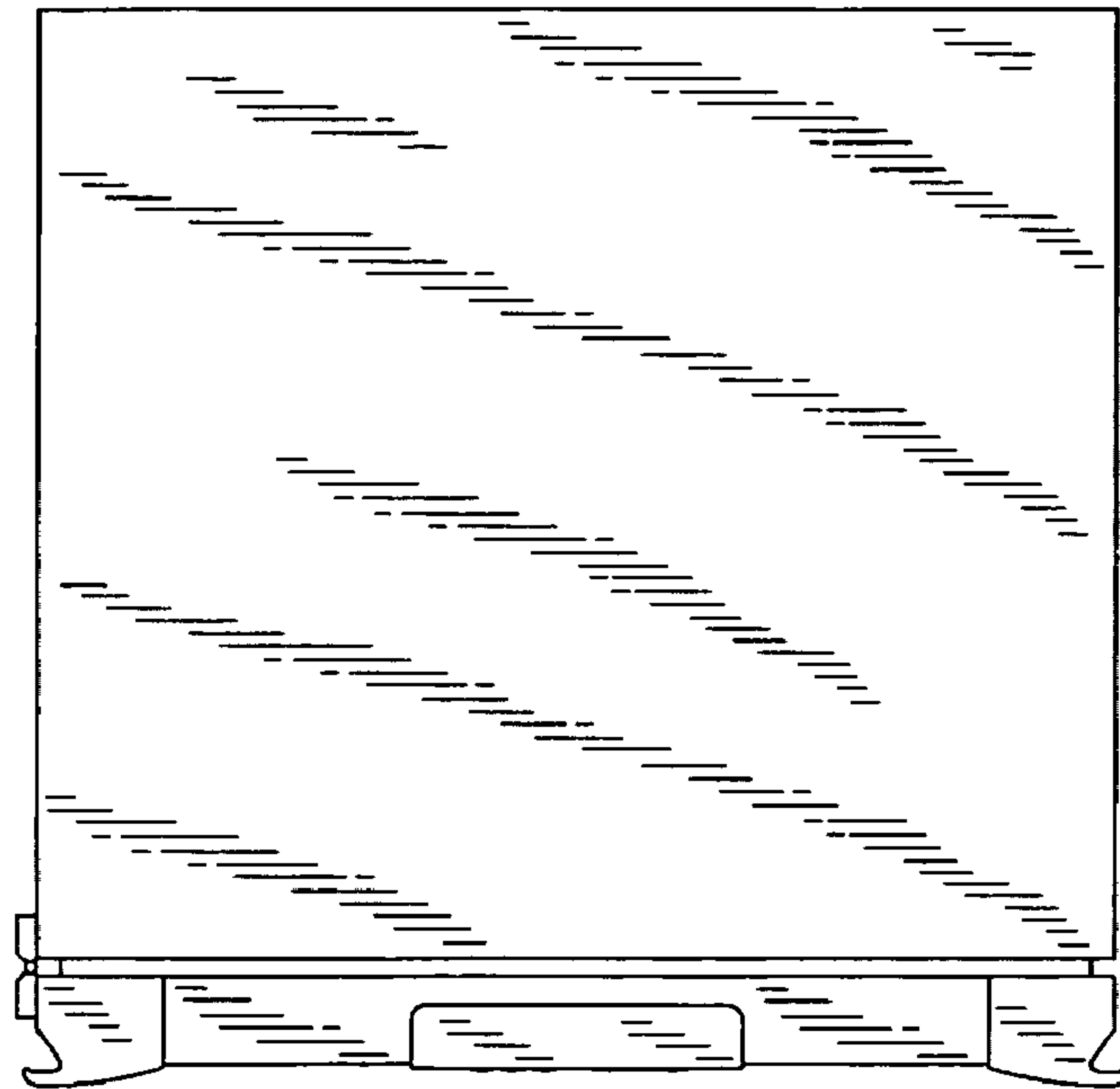


FIG. 5

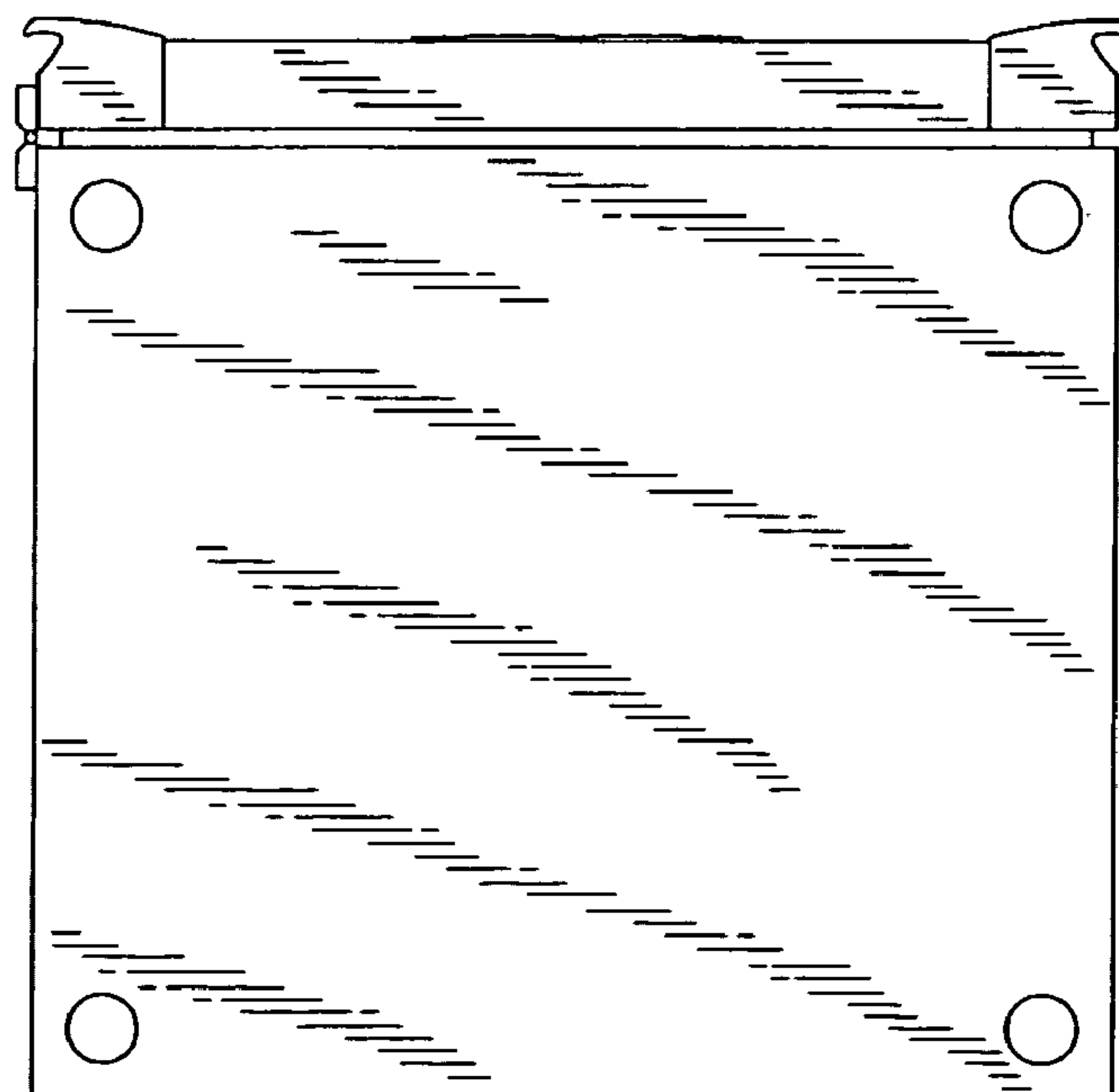


FIG. 6

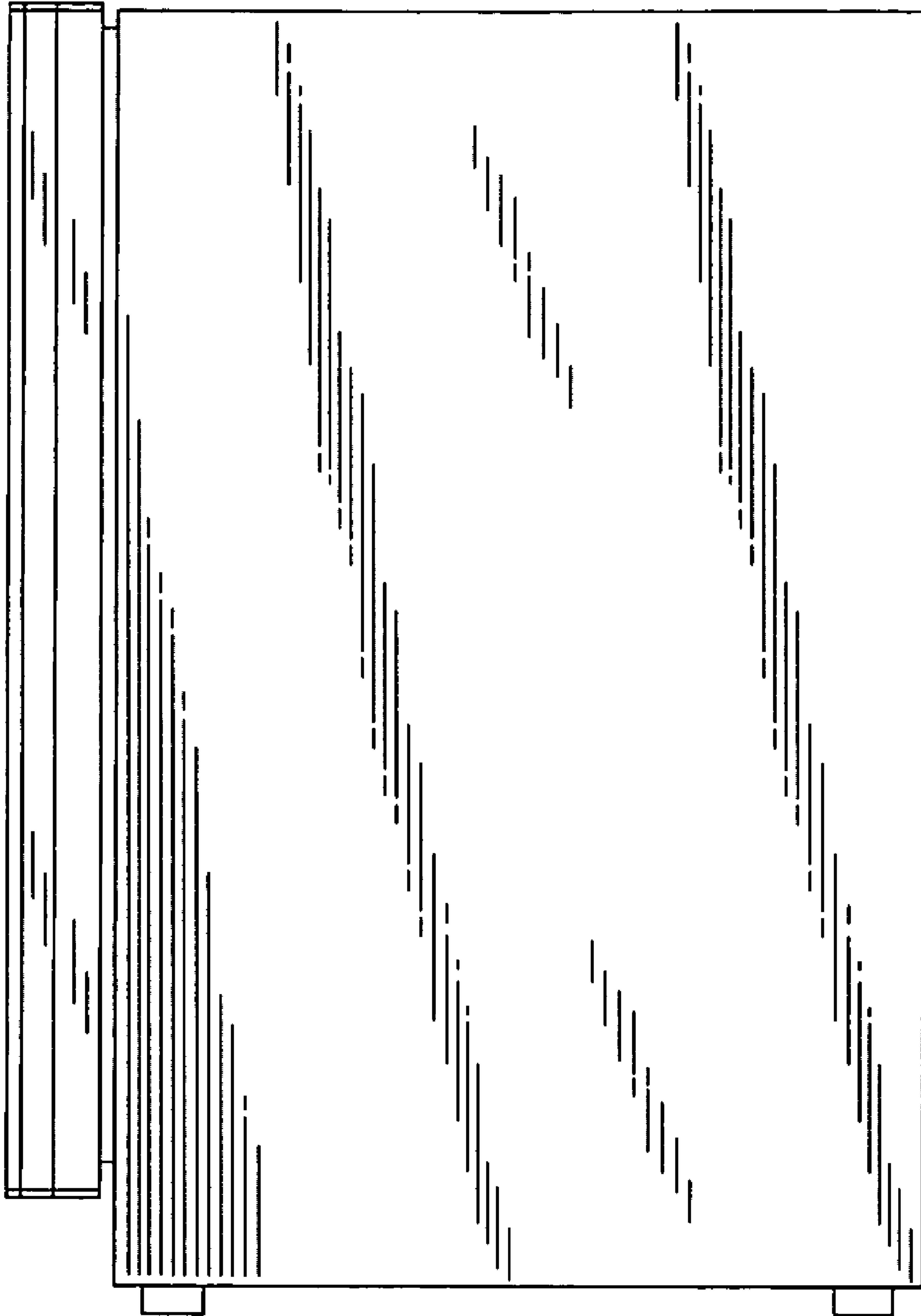


FIG. 7

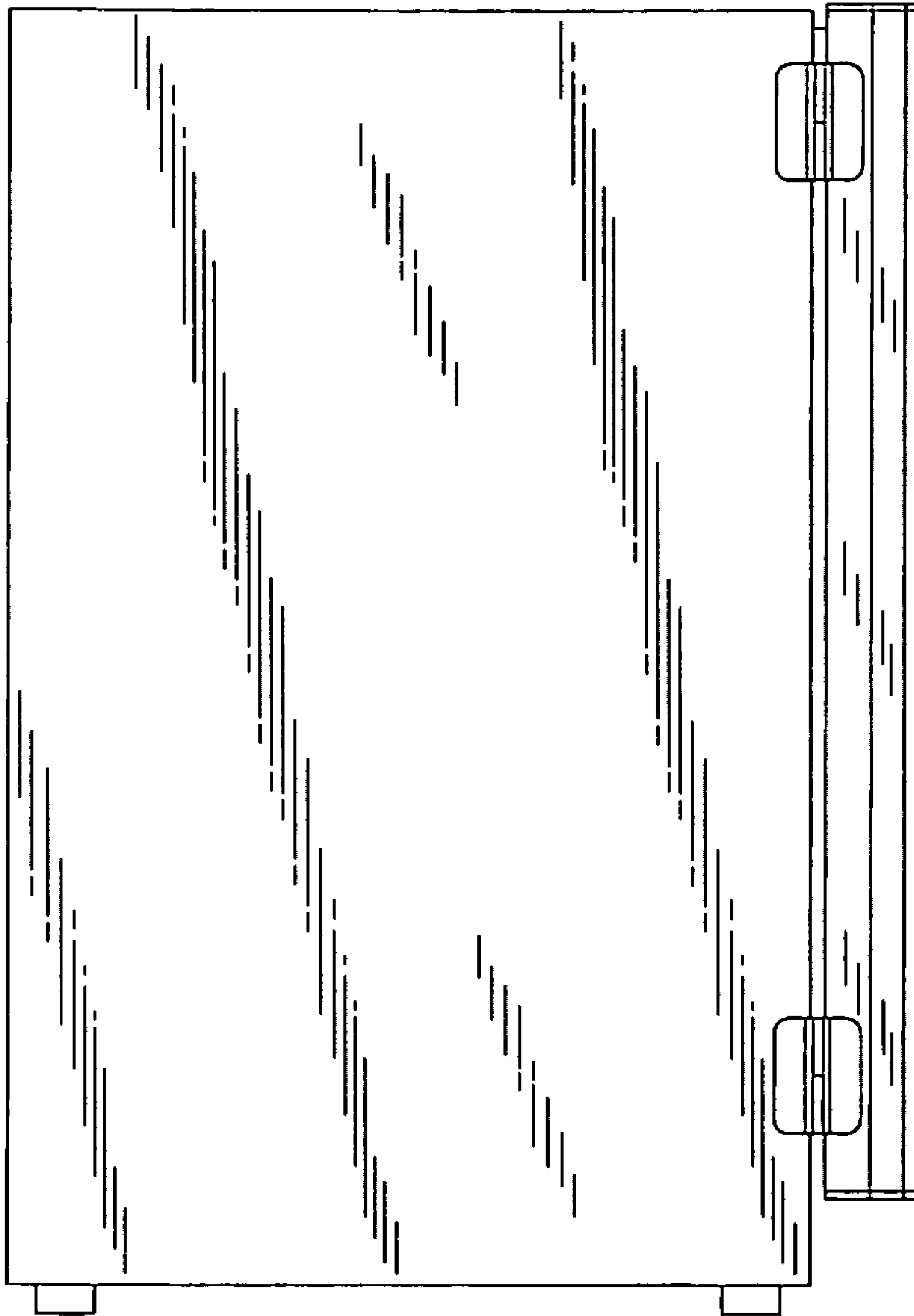


FIG. 8

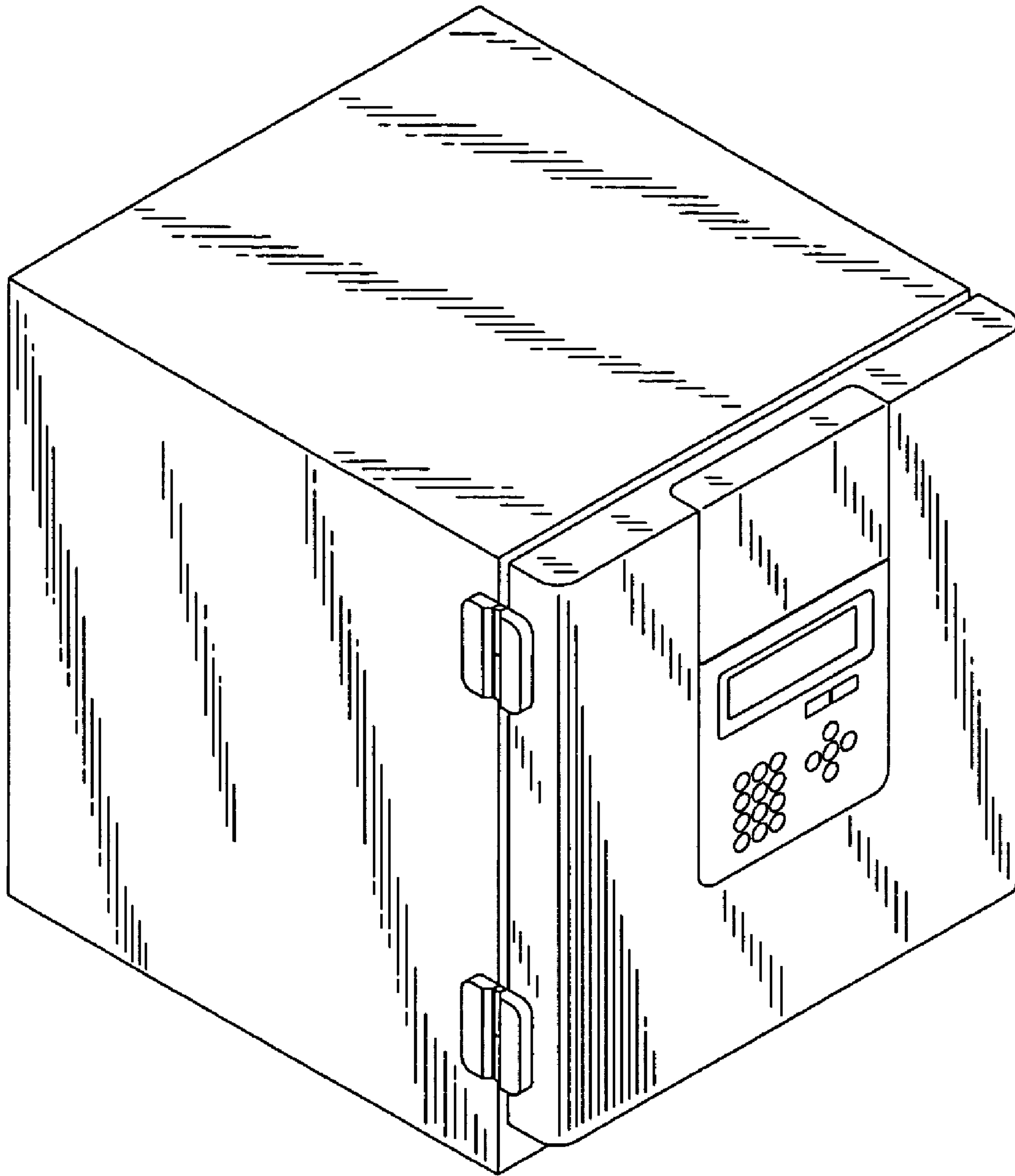




FIG. 9

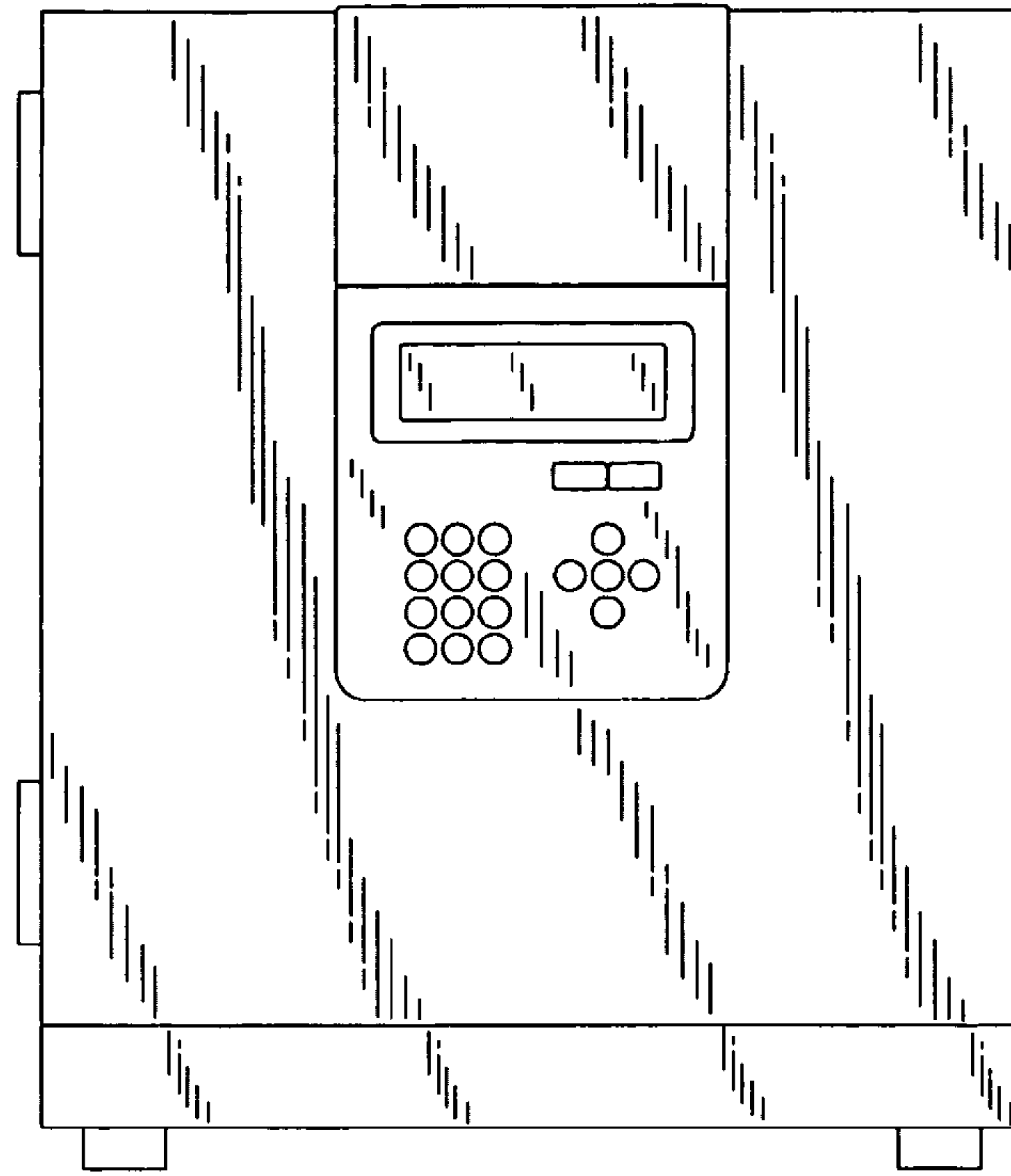


FIG. 10

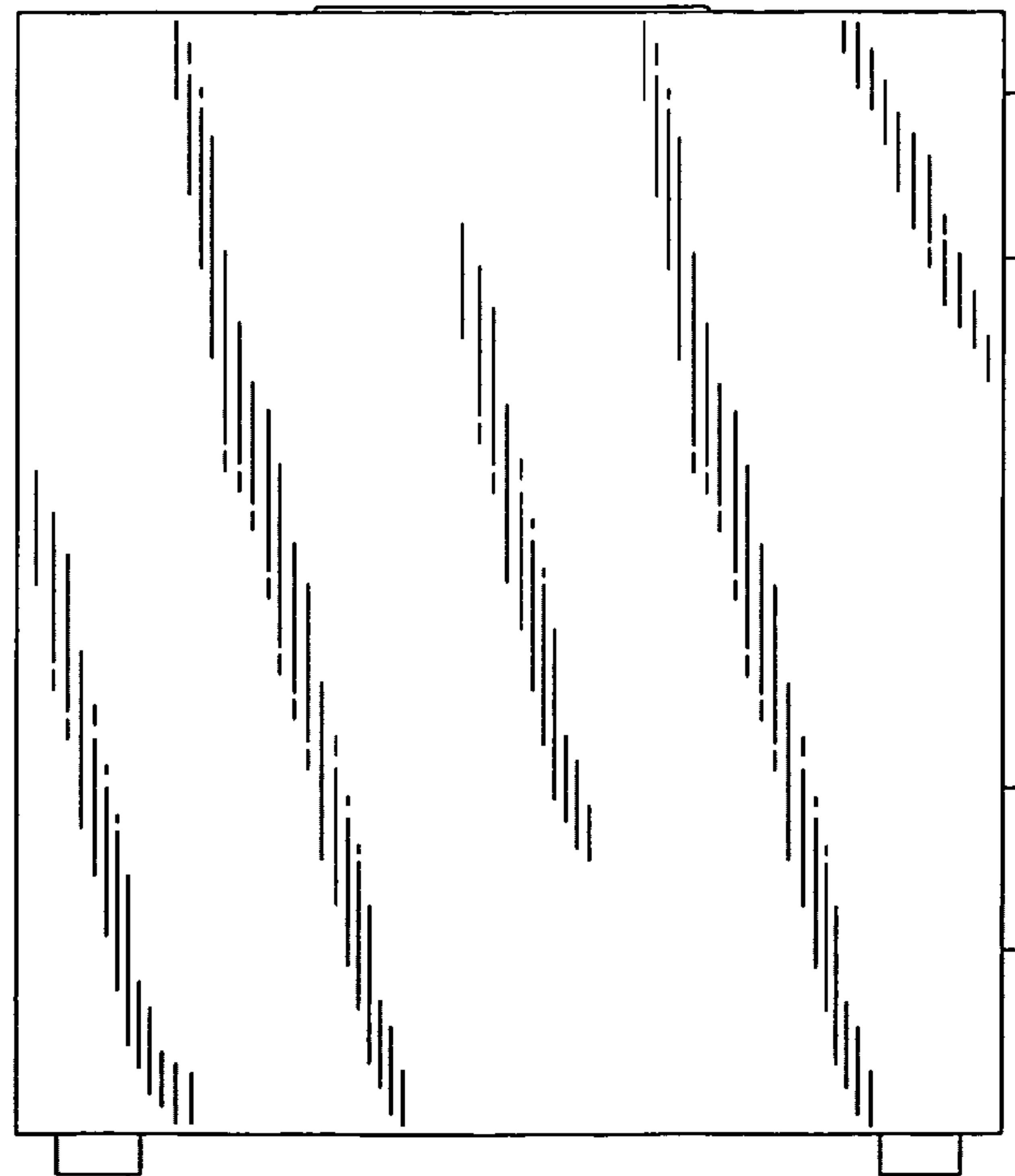


FIG. 11

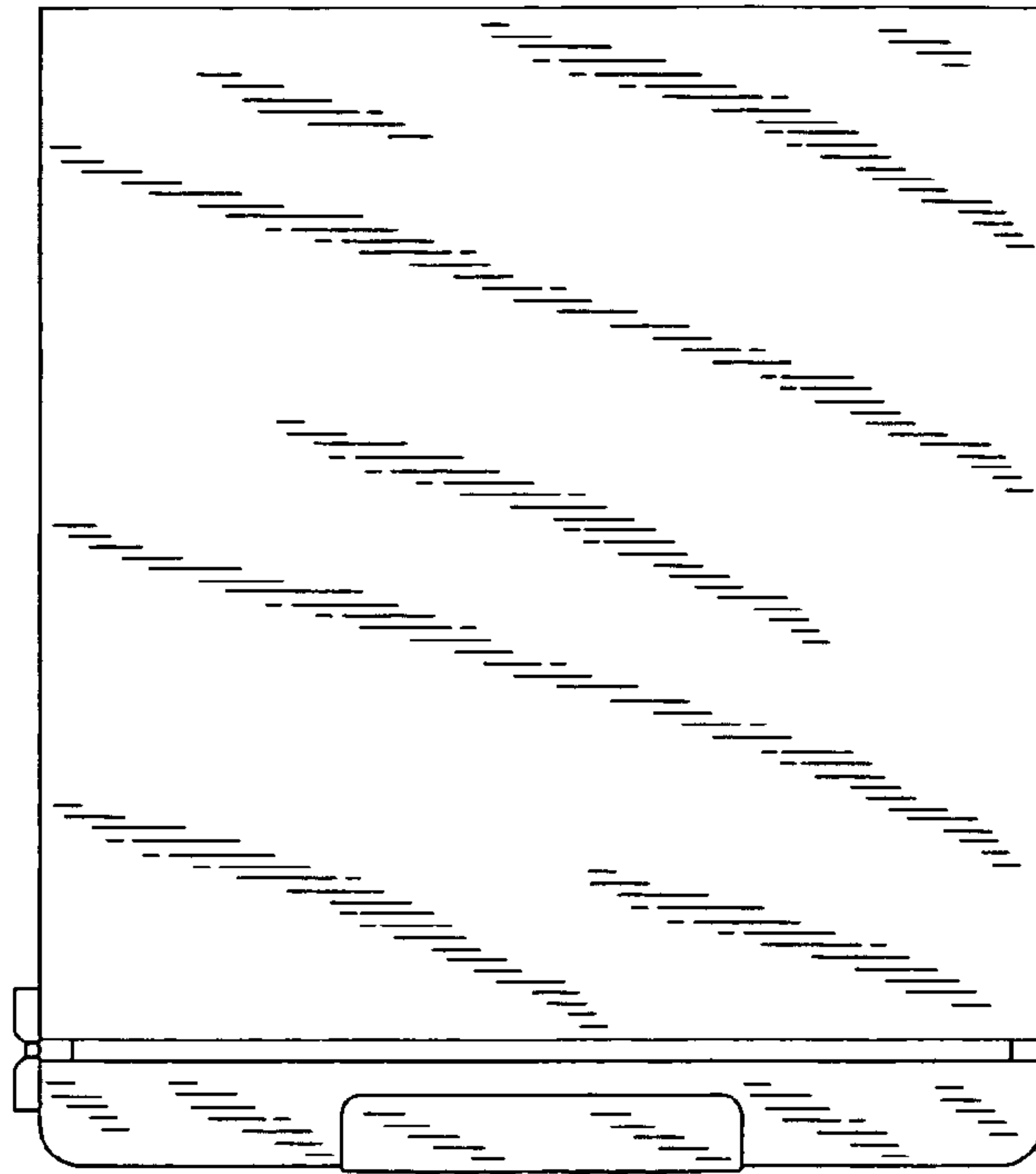


FIG. 12

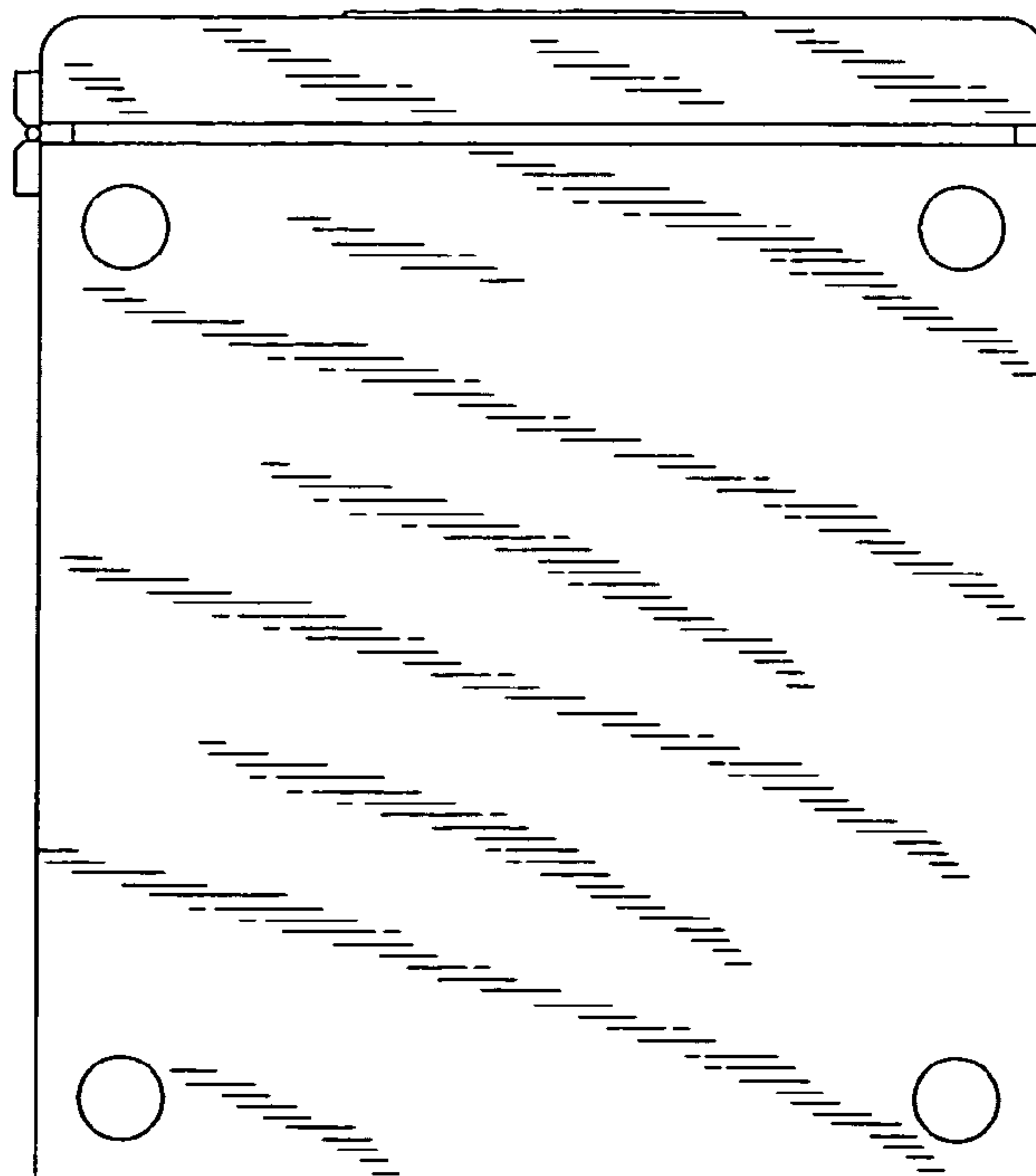


FIG. 13

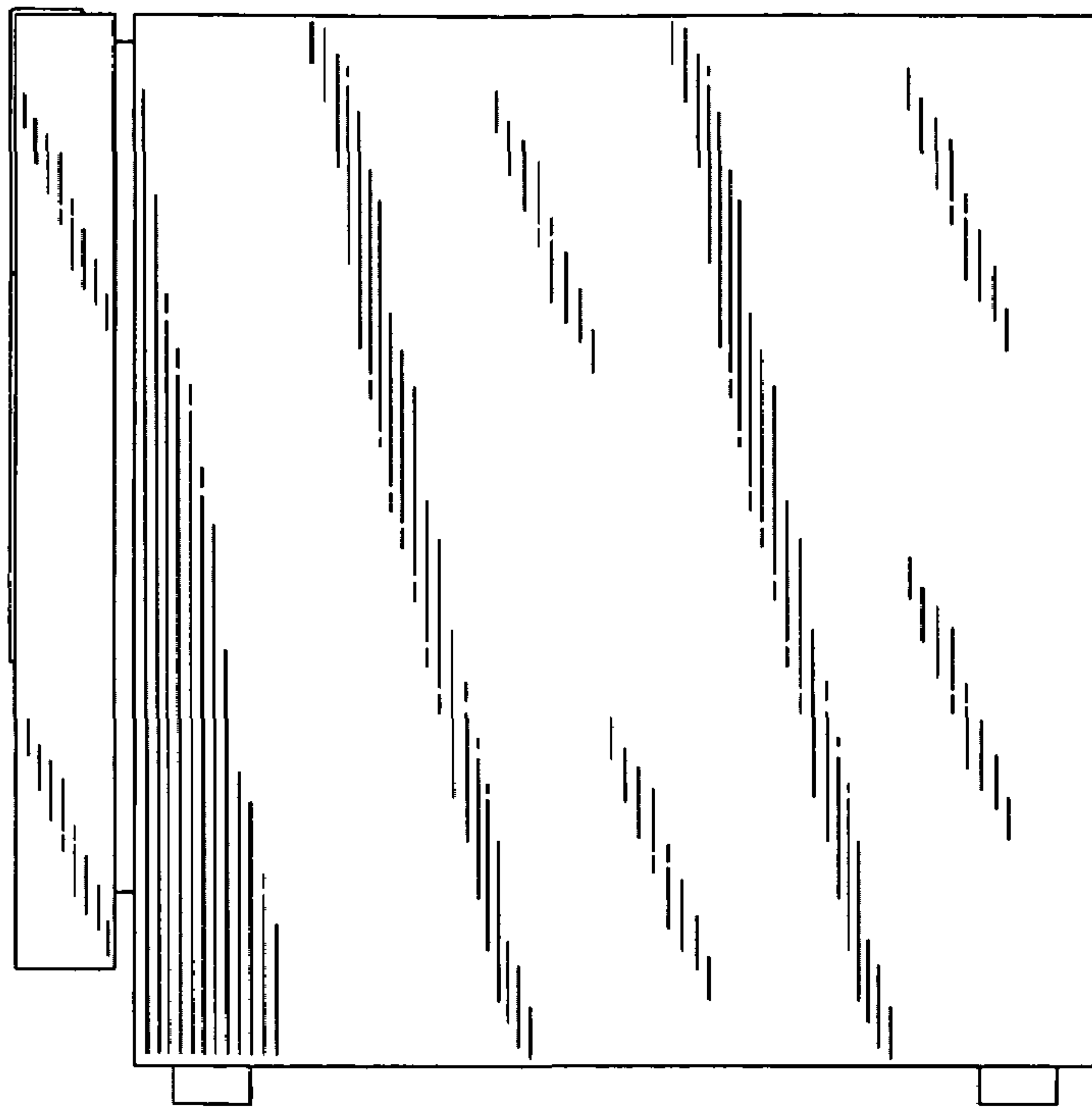


FIG. 14

