



US00D596960S

(12) **United States Design Patent**
Giroud

(10) **Patent No.:** **US D596,960 S**
(45) **Date of Patent:** **** Jul. 28, 2009**

(54) **WATCH**

(75) Inventor: **Eric Giroud**, Geneva (CH)

(73) Assignee: **MB & F SA**, Geneva (CH)

(**) Term: **14 Years**

(21) Appl. No.: **29/300,277**

(22) Filed: **Mar. 7, 2008**

(30) **Foreign Application Priority Data**

Jan. 22, 2008 (CH) 134690

(51) **LOC (9) Cl.** **10-02**

(52) **U.S. Cl.** **D10/39**

(58) **Field of Classification Search** D10/30-39,
D10/122-126; 368/276, 281, 282, 285, 21,
368/28, 223, 228, 232, 233, 234
See application file for complete search history.

(56) **References Cited**

U.S. PATENT DOCUMENTS

1,954,249	A *	4/1934	Kehl	116/308
1,980,207	A *	11/1934	Kehl	206/301
2,166,687	A *	7/1939	Kehl	368/278
D256,561	S *	8/1980	Muramatsu	D10/39
4,466,285	A *	8/1984	Allemano	73/865.1
D311,693	S *	10/1990	Woomer	D10/39
D317,873	S *	7/1991	Woomer	D10/39
D317,874	S *	7/1991	Woomer	D10/39
D318,807	S *	8/1991	Lambert	D10/30
D319,401	S *	8/1991	Woomer	D10/35
5,943,299	A *	8/1999	Genta	368/28
D456,275	S *	4/2002	Blauner et al.	D10/30

D509,755	S *	9/2005	Roden	D10/32
D518,387	S *	4/2006	Roden	D10/31
D519,390	S *	4/2006	Lovegrove	D10/39
7,027,362	B2 *	4/2006	Lizzi et al.	368/37
D519,852	S *	5/2006	Roden	D10/31
D519,856	S *	5/2006	Tonohori	D10/38
D520,383	S *	5/2006	Raffy	D10/32
D530,627	S *	10/2006	Senggen et al.	D10/32
D530,628	S *	10/2006	Raffy	D10/32
D531,916	S *	11/2006	Galli	D10/31
D547,205	S *	7/2007	Giroud	D10/31
D557,618	S *	12/2007	El Kadiri	D10/31
D562,155	S *	2/2008	Giroud	D10/31

* cited by examiner

Primary Examiner—Lucy Lieberman

(74) *Attorney, Agent, or Firm*—Sughrue Mion, PLLC

(57) **CLAIM**

The ornamental design for a watch, as shown.

DESCRIPTION

FIG. 1 is a perspective view of the front and right side of a watch showing my new design;

FIG. 2 is a perspective view of the rear and left side thereof;

FIG. 3 is a front elevational view thereof;

FIG. 4 is a rear elevational view thereof;

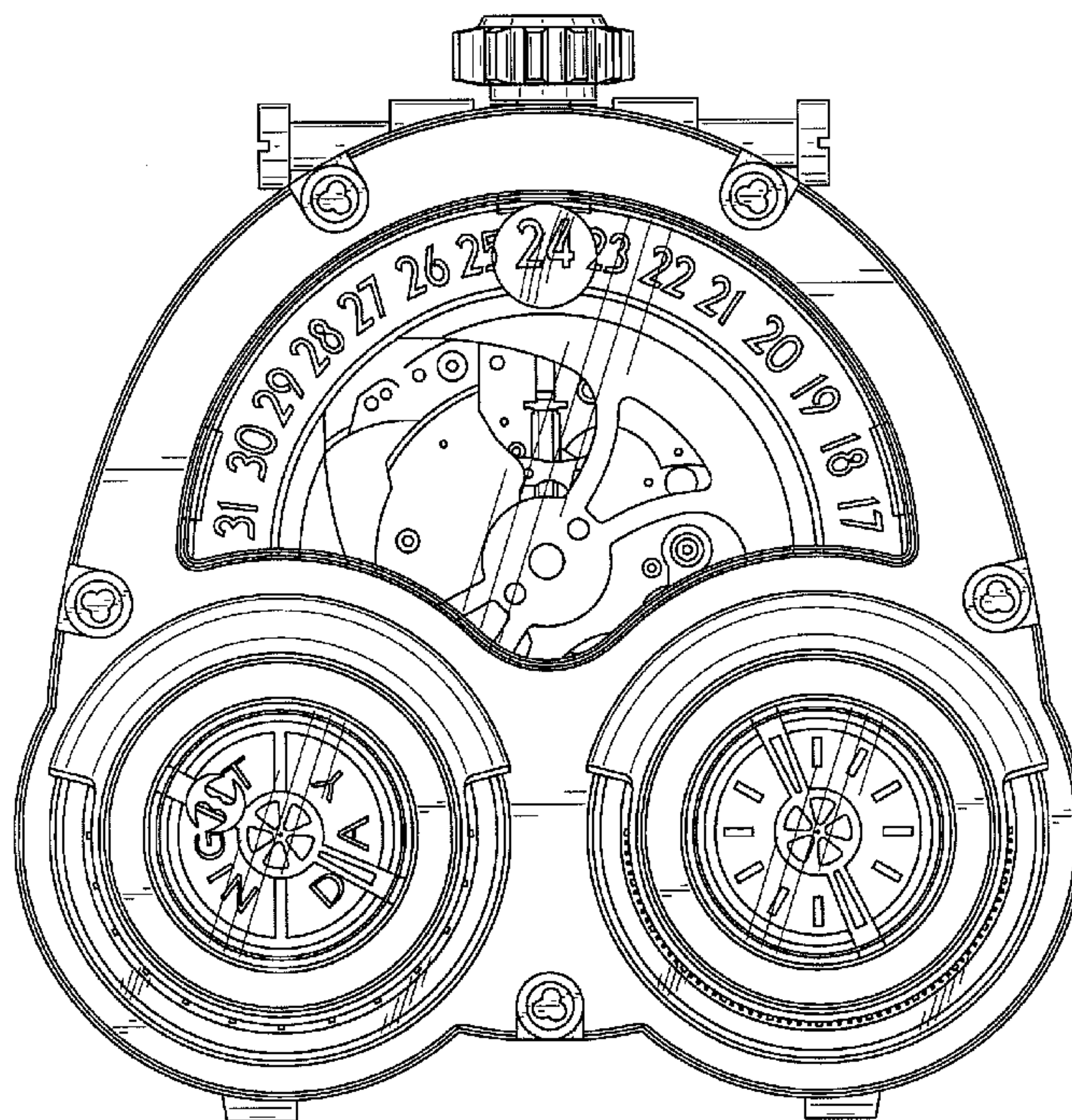
FIG. 5 is a top plan view thereof;

FIG. 6 is a bottom plan view thereof;

FIG. 7 is a right side elevational view thereof; and,

FIG. 8 is a left side elevational view thereof.

1 Claim, 8 Drawing Sheets



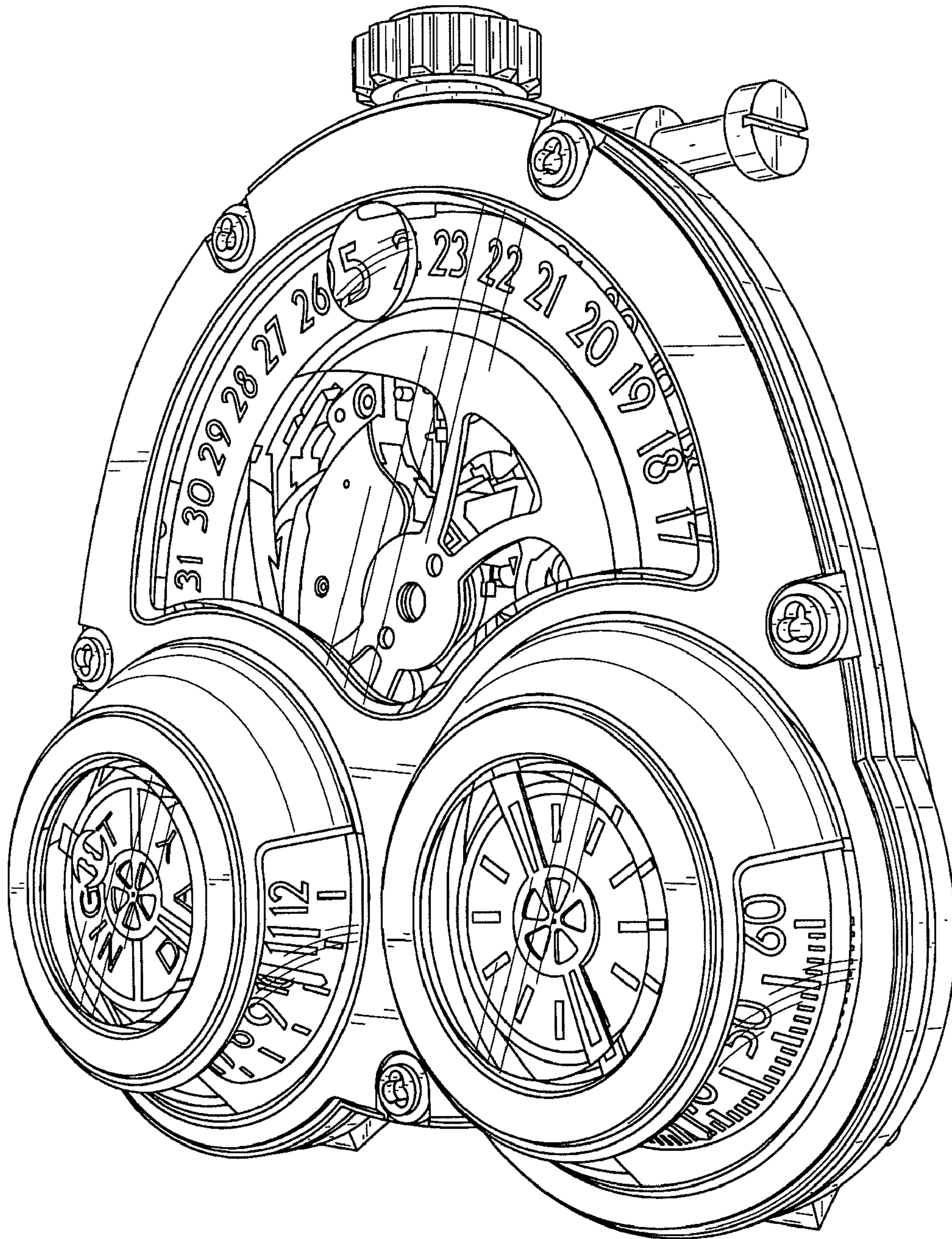


FIG. 1

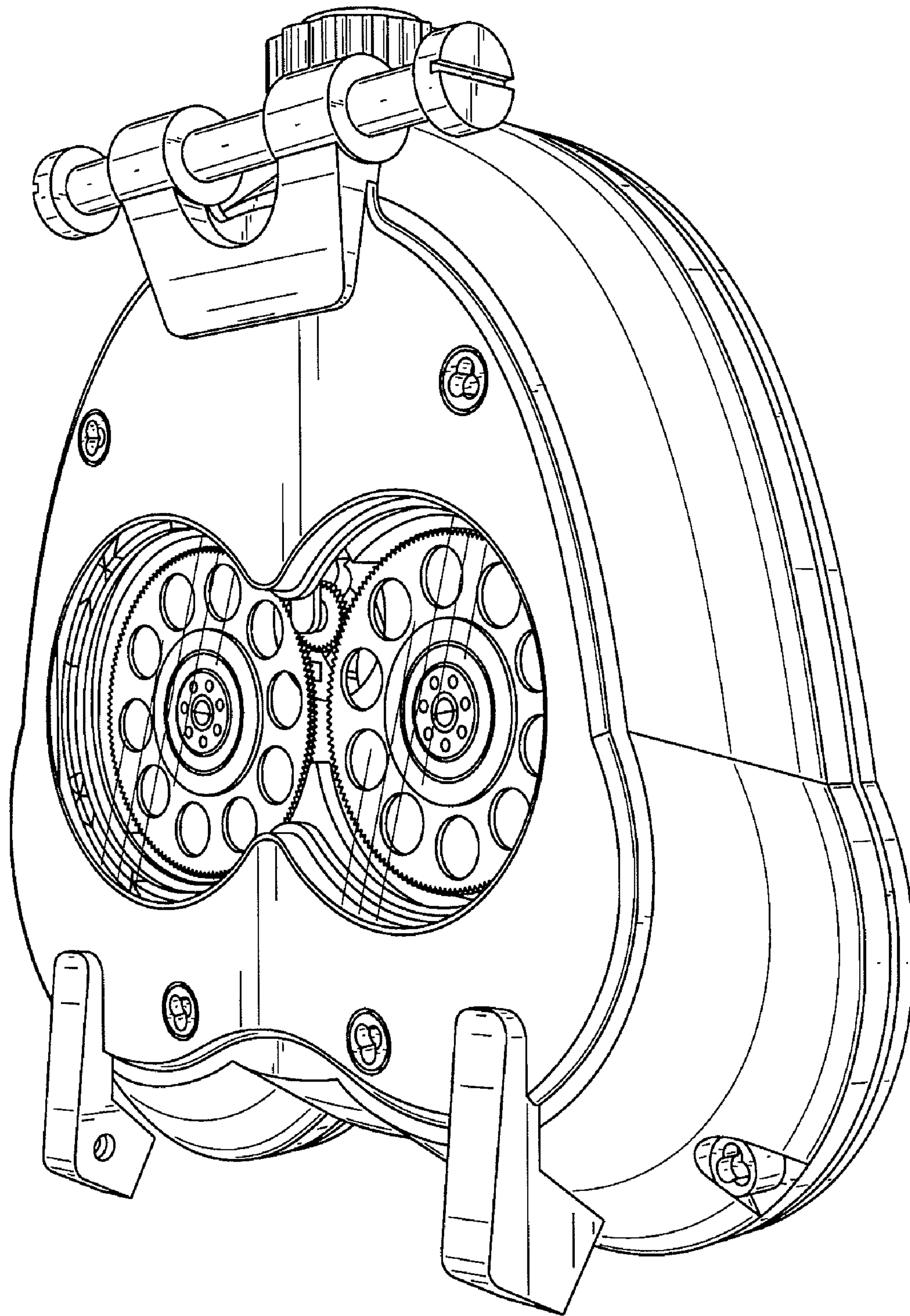


FIG. 2

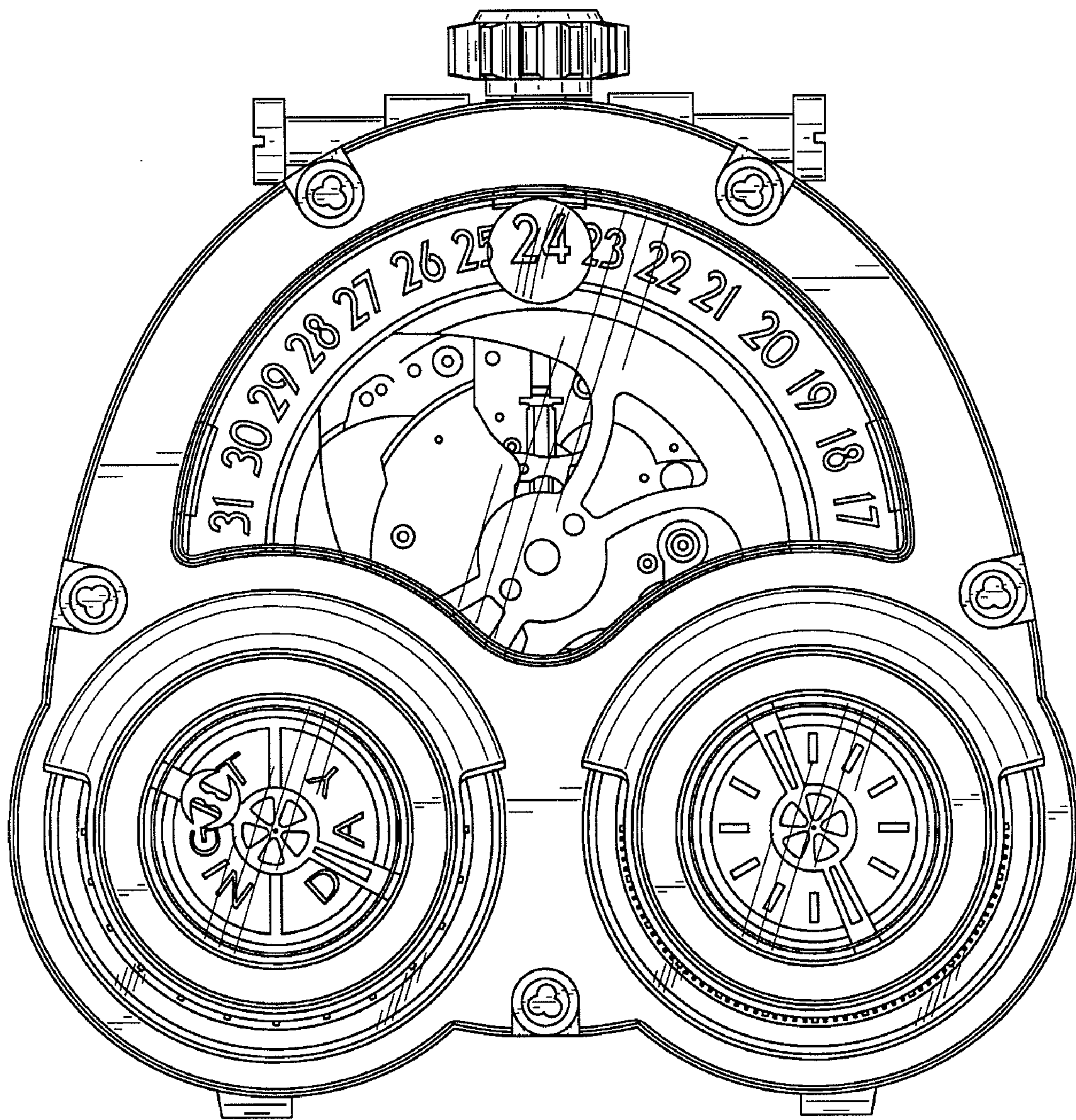


FIG. 3

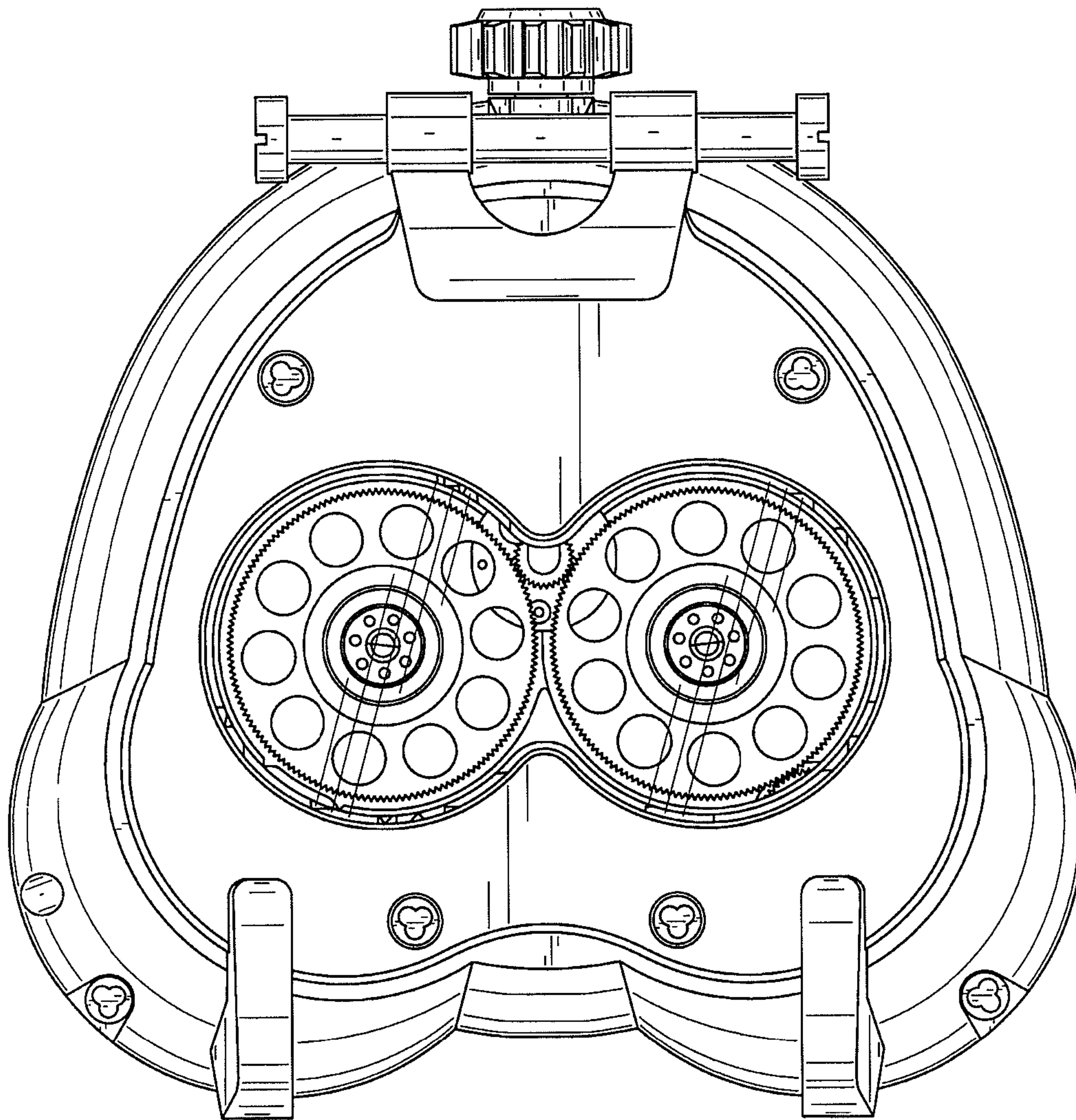


FIG. 4

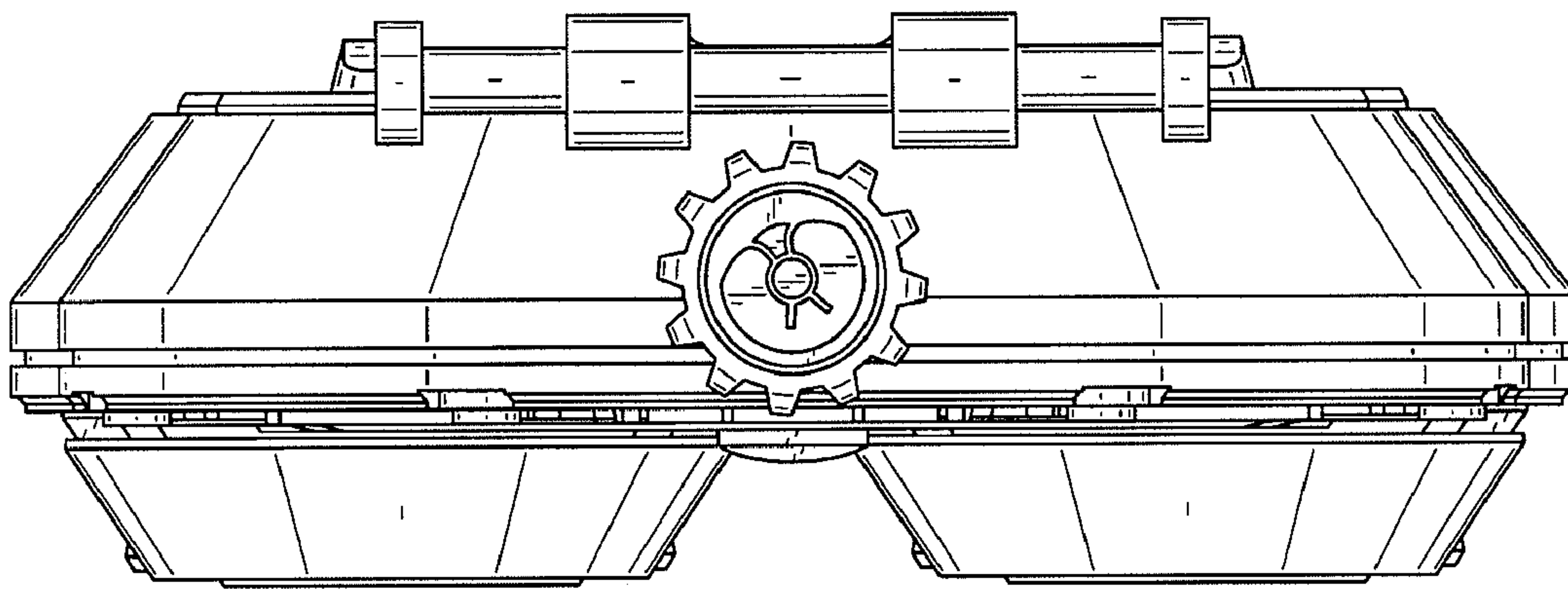


FIG. 5

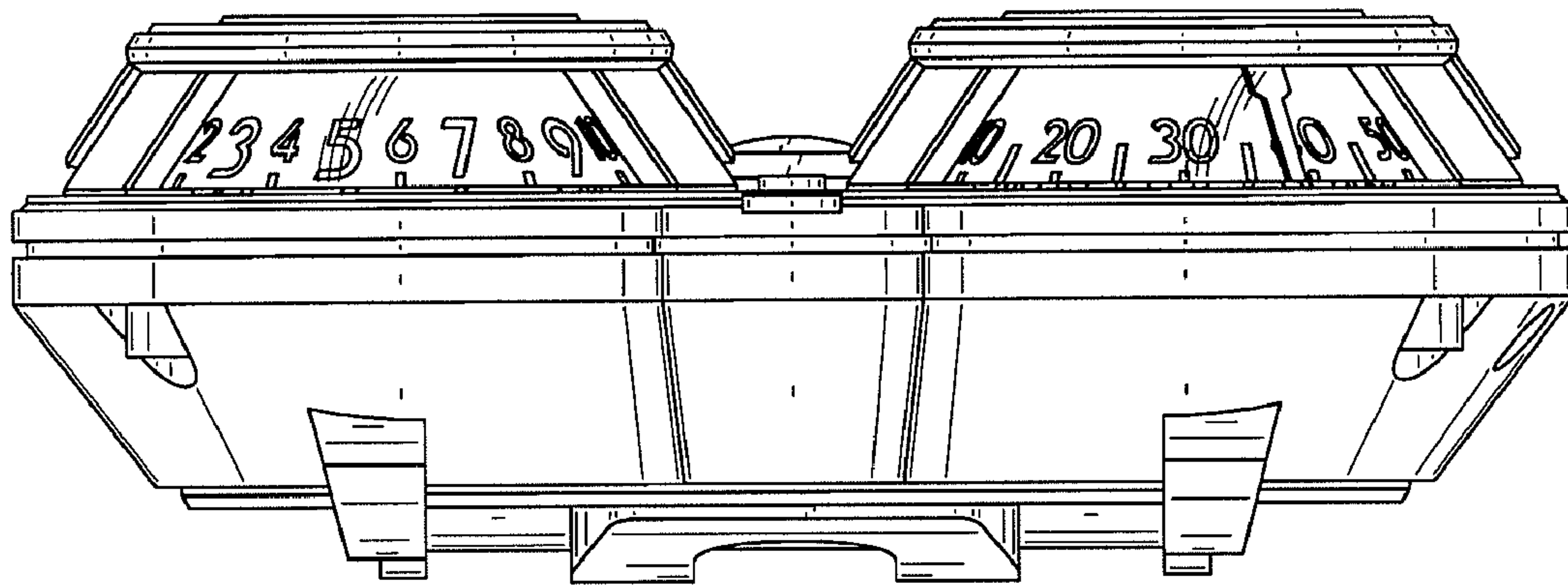


FIG. 6

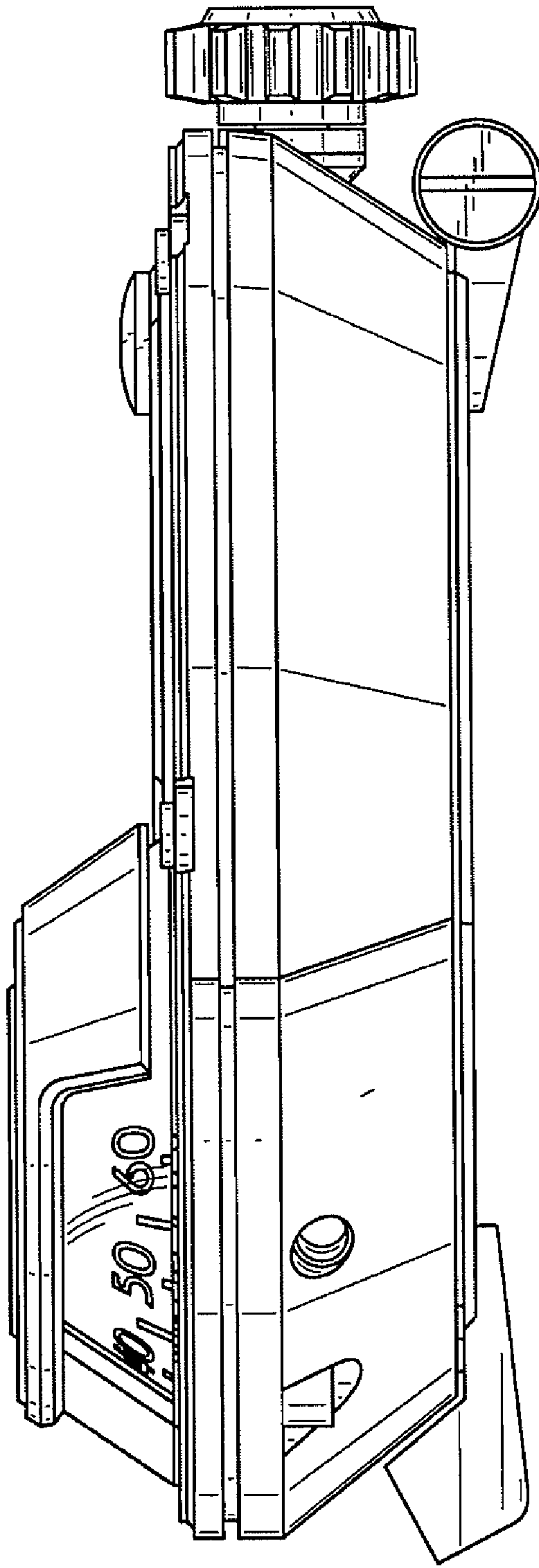


FIG. 7

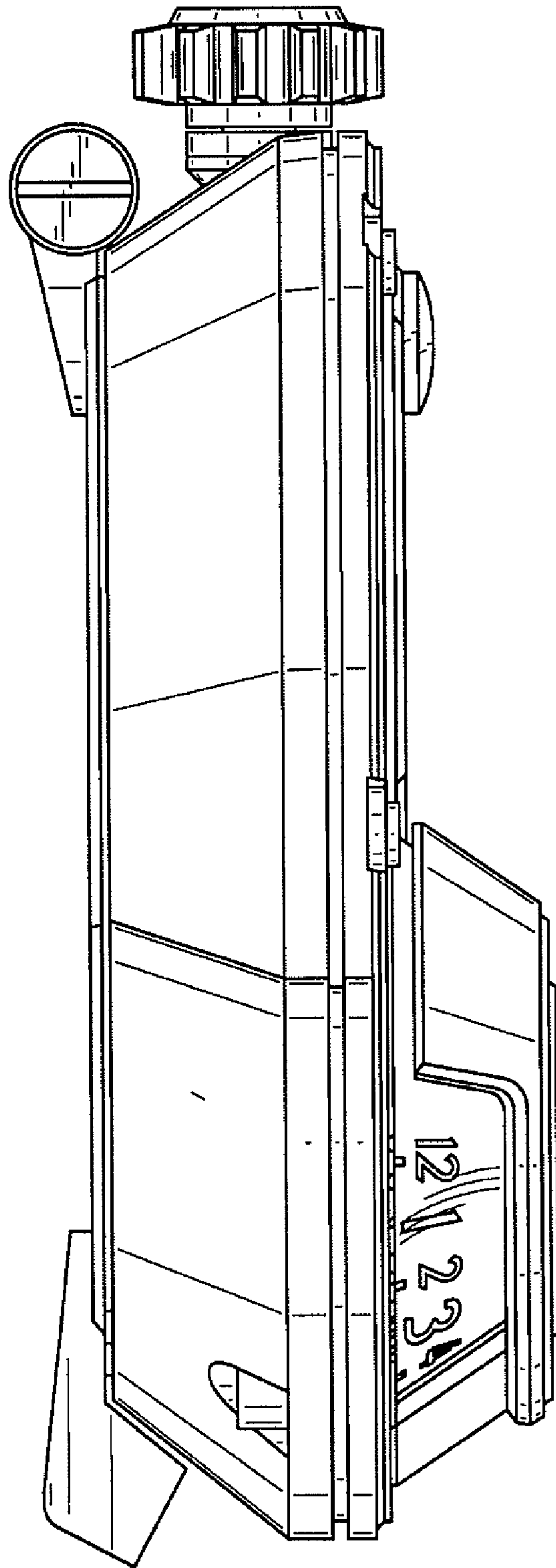


FIG. 8