



US00D596944S

(12) **United States Design Patent**
Mueller et al.

(10) **Patent No.:** **US D596,944 S**

(45) **Date of Patent:** **** Jul. 28, 2009**

(54) **CONCENTRATE CARTRIDGE**

(75) Inventors: **Edward L. Mueller**, Toledo, OH (US);
Douglas F. Taylor, Toledo, OH (US); **R.**
Bruce Yacko, Toledo, OH (US)

(73) Assignee: **iDispense, LLC**, Toledo, OH (US)

(**) Term: **14 Years**

(21) Appl. No.: **29/297,537**

(22) Filed: **Nov. 13, 2007**

(51) **LOC (9) Cl.** **09-01**

(52) **U.S. Cl.** **D9/516**

(58) **Field of Classification Search** D9/516,
D9/519, 520, 522, 529, 530, 537, 539, 540,
D9/544, 545, 549, 551, 552, 553, 554, 556,
D9/557, 558, 564, 565, 566, 567, 569, 570,
D9/571, 574, 575; 215/381-385, 396, 398
See application file for complete search history.

(56) **References Cited**

U.S. PATENT DOCUMENTS

D378,274 S *	3/1997	Beaver	D9/530
D405,698 S *	2/1999	Lykken et al.	D9/541
D426,164 S *	6/2000	Gans et al.	D9/541
D435,455 S *	12/2000	Gans	D9/541
D438,456 S *	3/2001	Bretz et al.	D9/667
D445,033 S *	7/2001	Bretz et al.	D9/520
6,290,100 B1	9/2001	Yacko et al.		
D478,511 S *	8/2003	Reynolds	D9/502
D478,817 S *	8/2003	Yourist	D9/530
D481,954 S *	11/2003	Potts et al.	D9/538
D494,473 S *	8/2004	Yourist	D9/516
D508,854 S *	8/2005	Livingston	D9/516
D510,026 S *	9/2005	Nelson et al.	D9/516
D529,389 S *	10/2006	Trude	D9/538

D531,913 S *	11/2006	Heisner et al.	D9/560
D535,885 S *	1/2007	Davis et al.	D9/538
D536,618 S *	2/2007	Davis et al.	D9/538
D537,353 S *	2/2007	Bailey et al.	D9/540
D538,168 S *	3/2007	Davis et al.	D9/538
D538,661 S *	3/2007	Wolf et al.	D9/516
D551,081 S *	9/2007	Ohara et al.	D9/520
D561,037 S *	2/2008	Boon	D9/539

OTHER PUBLICATIONS

07/0205218 A1, Sep. 6, 2007, Mueller et al.

* cited by examiner

Primary Examiner—Stella M Reid

Assistant Examiner—Elizabeth J Oswecki

(74) *Attorney, Agent, or Firm*—Fraser Clemens Martin &
Miller LLC; Donald R. Fraser

(57) **CLAIM**

The ornamental design for a concentrate cartridge, as shown and described.

DESCRIPTION

FIG. 1 is a perspective view of a concentrate cartridge showing our new design;

FIG. 2 is a front elevational view thereof, the left side elevational view, the right side elevational view, and the rear elevational view are identical to FIG. 2;

FIG. 3 is a top plan view thereof; and,

FIG. 4 is a bottom plan view thereof.

The ornamental design which is claimed is shown in solid lines in the drawings. The broken lines in the drawings are for illustrative purposes only and form no part of the claimed design.

1 Claim, 3 Drawing Sheets

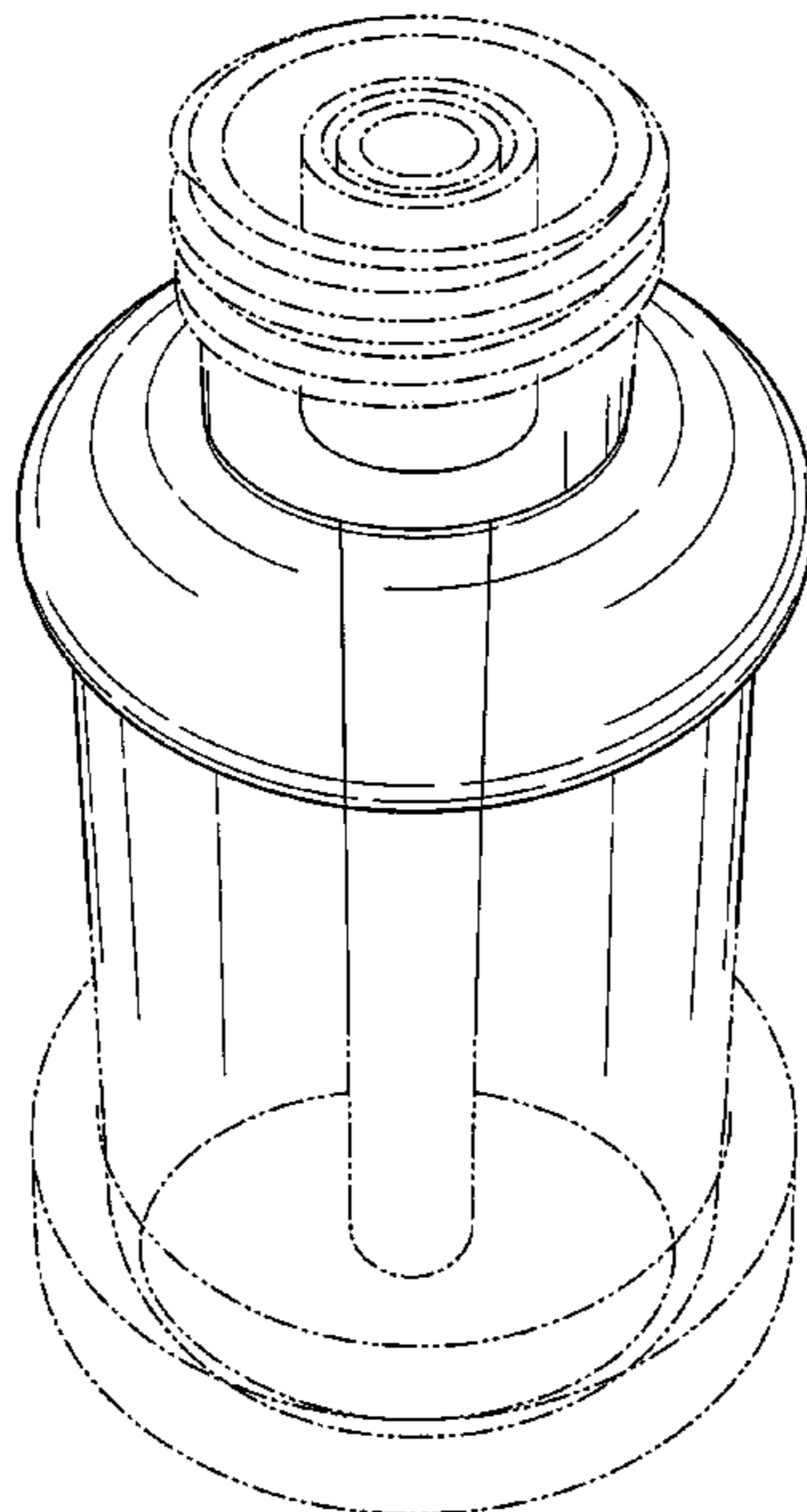


FIG - 1

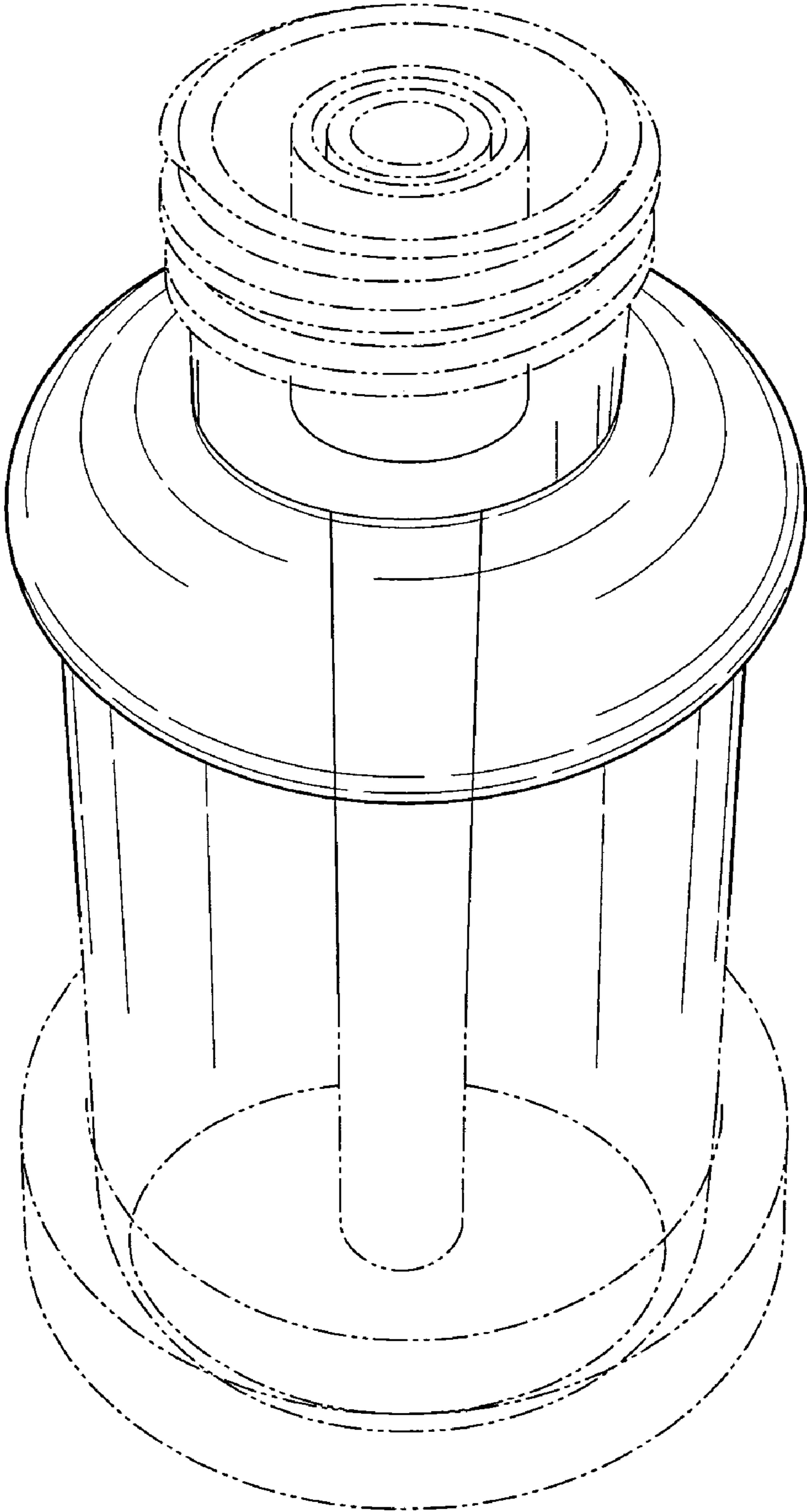


FIG - 2

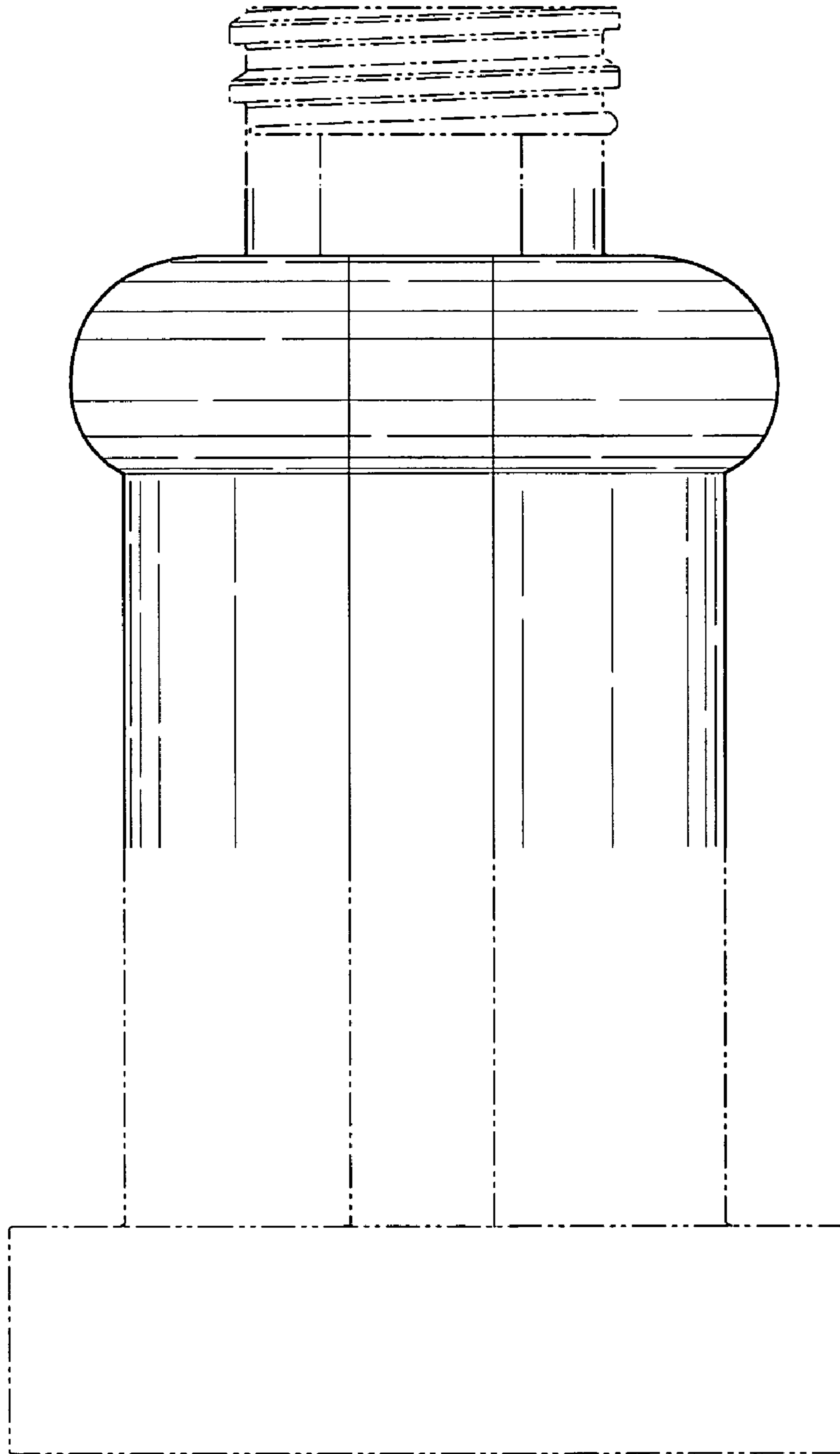


FIG - 3

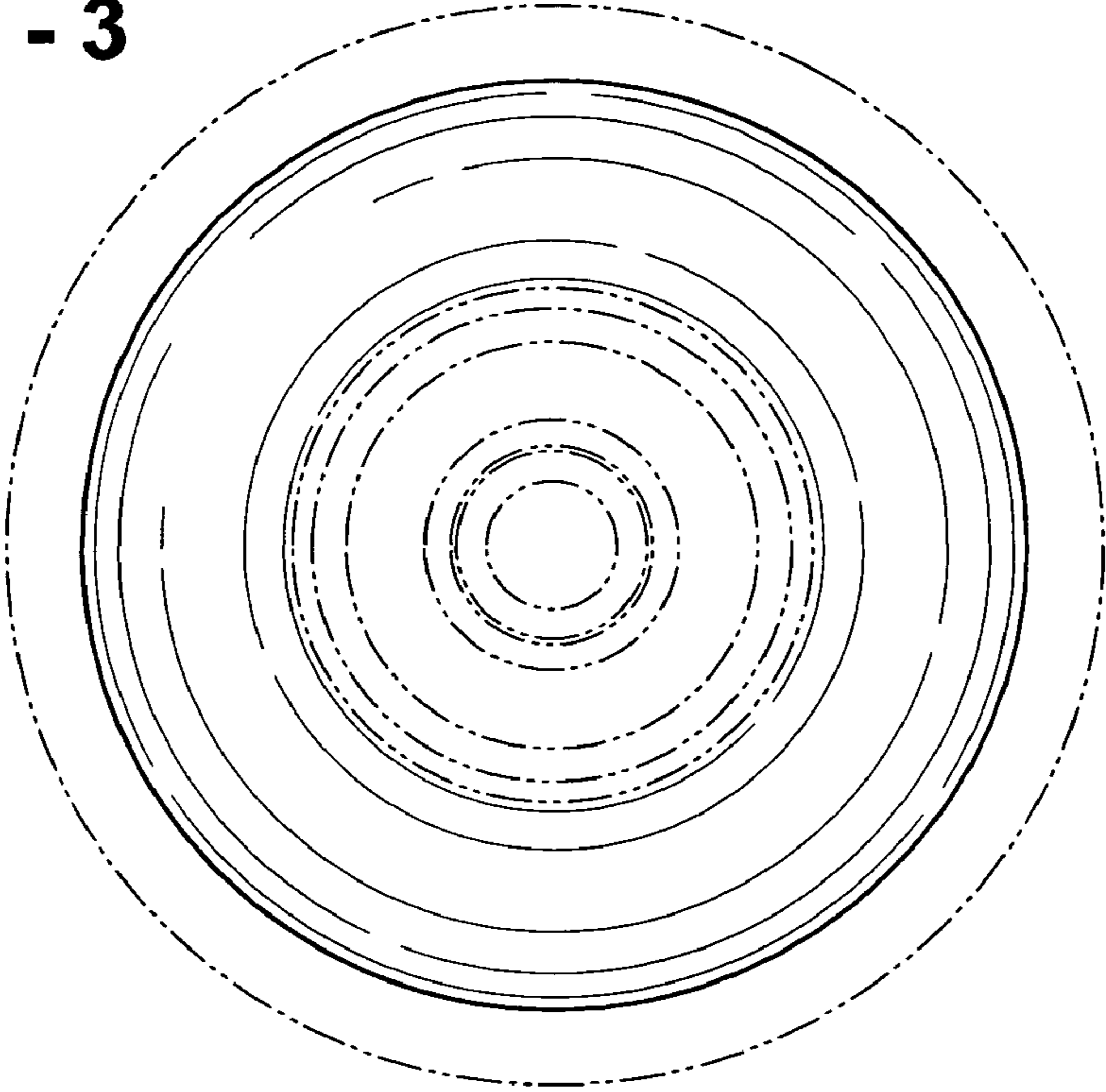


FIG - 4

