

US00D596941S

(12) **United States Design Patent**
Shaw

(10) **Patent No.:** **US D596,941 S**
(45) **Date of Patent:** **** Jul. 28, 2009**

(54) **BOX SUPPORT**

(76) Inventor: **Robert A. Shaw**, 5 Arizona Ter., Apt. 5,
Arlington, MA (US) 02474

(**) Term: **14 Years**

(21) Appl. No.: **29/254,977**

(22) Filed: **Mar. 2, 2006**

(51) **LOC (9) Cl.** **09-07**

(52) **U.S. Cl.** **D9/455**

(58) **Field of Classification Search** D9/455;
D6/512, 553, 554, 556, 567, 572; D8/354,
D8/363, 373, 376, 380, 381; D14/46; D99/29,
D99/32, 31; 229/117.18; 232/39; 296/57.1;
D13/152, 154; 248/49, 58, 60, 63, 156, 157,
248/339, 340, 341, 343, 423, 906; D7/397
See application file for complete search history.

(56) **References Cited**

U.S. PATENT DOCUMENTS

- D210,188 S * 2/1968 Burns D7/397
- D297,235 S * 8/1988 Albertson D14/146
- D310,459 S * 9/1990 Gipe D6/556
- D328,813 S * 8/1992 Hagstrom D99/32

- D350,003 S * 8/1994 Rentz D99/29
- D365,510 S * 12/1995 Kiely et al. D8/373
- 5,649,734 A * 7/1997 Speis 296/57.1
- D447,417 S * 9/2001 Filho D9/455
- 6,543,680 B1 * 4/2003 McCormack 232/39
- 2008/0093431 A1 * 4/2008 Rosen et al. 229/117.18

* cited by examiner

Primary Examiner—Robert M Spear
Assistant Examiner—Barbara B Lohr
(74) *Attorney, Agent, or Firm*—O’Connell Law Firm

(57) **CLAIM**

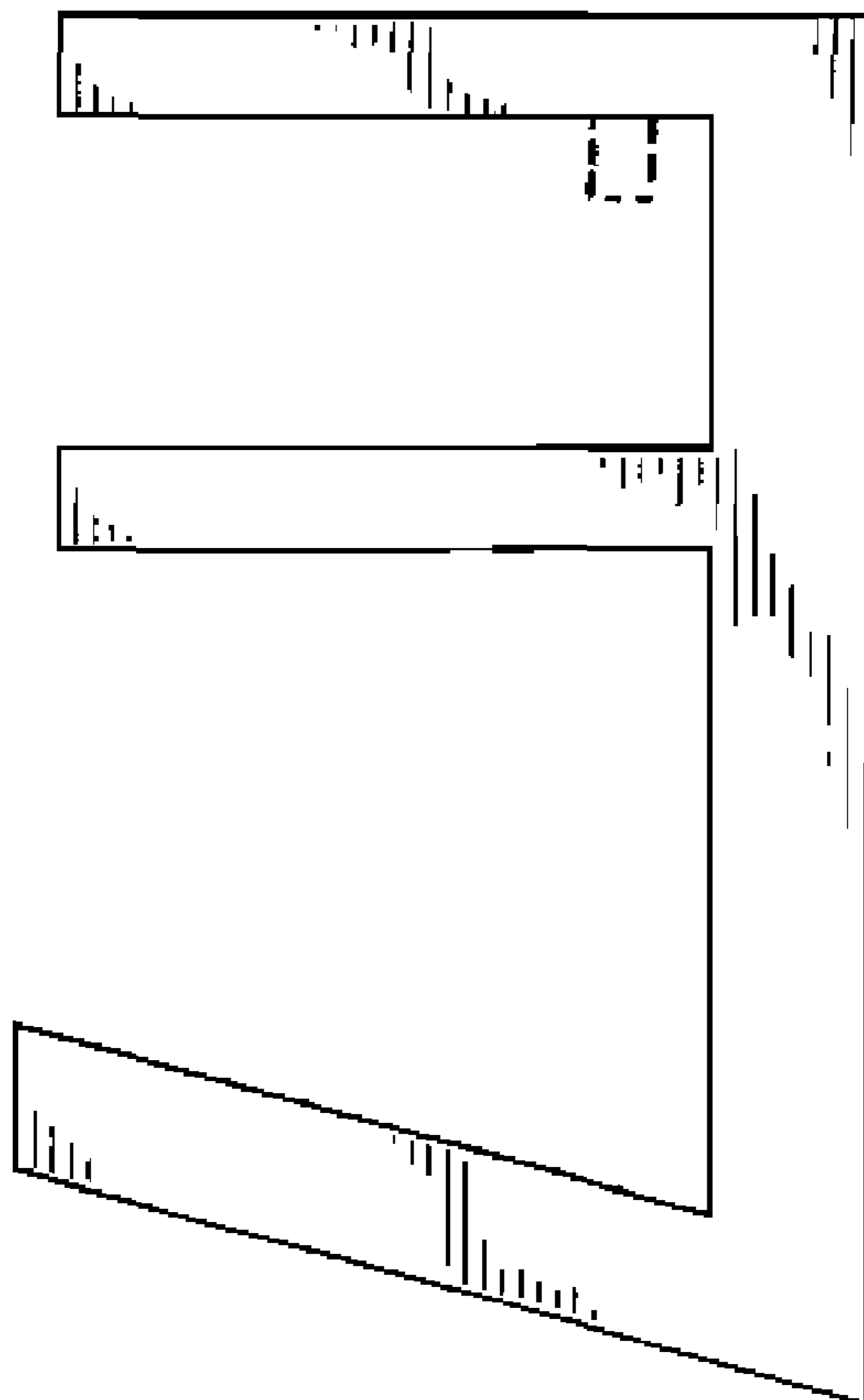
The ornamental design for a box support, as shown and described.

DESCRIPTION

FIG. 1 is a side view of a box support;
FIG. 2 is a perspective view of the box support of FIG. 1; and,
FIG. 3 is a reduced size side view of the box support of FIG. 1 in use.

In the drawings, the broken lines depict unclaimed environmental subject matter.

1 Claim, 1 Drawing Sheet



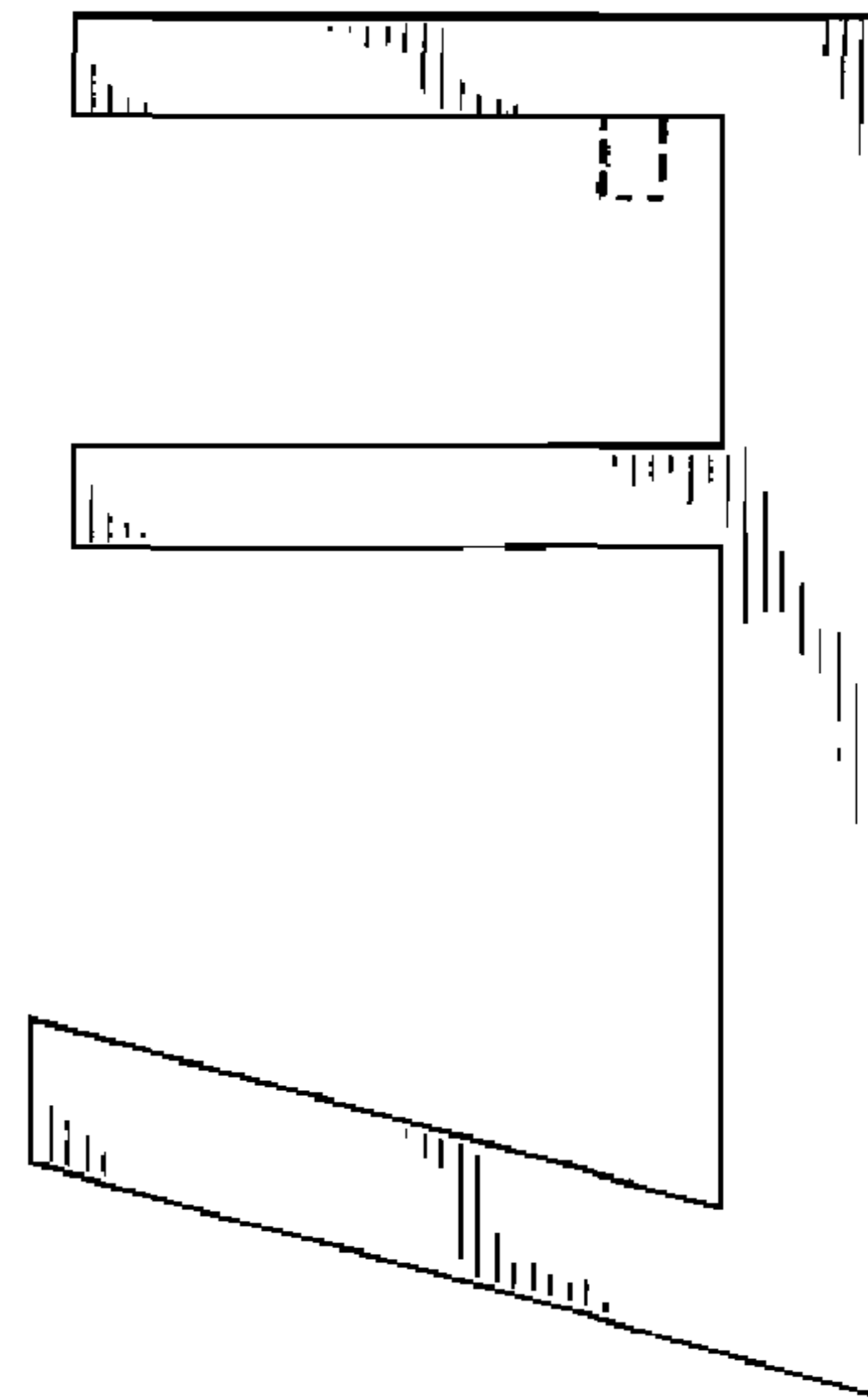


FIG. 1

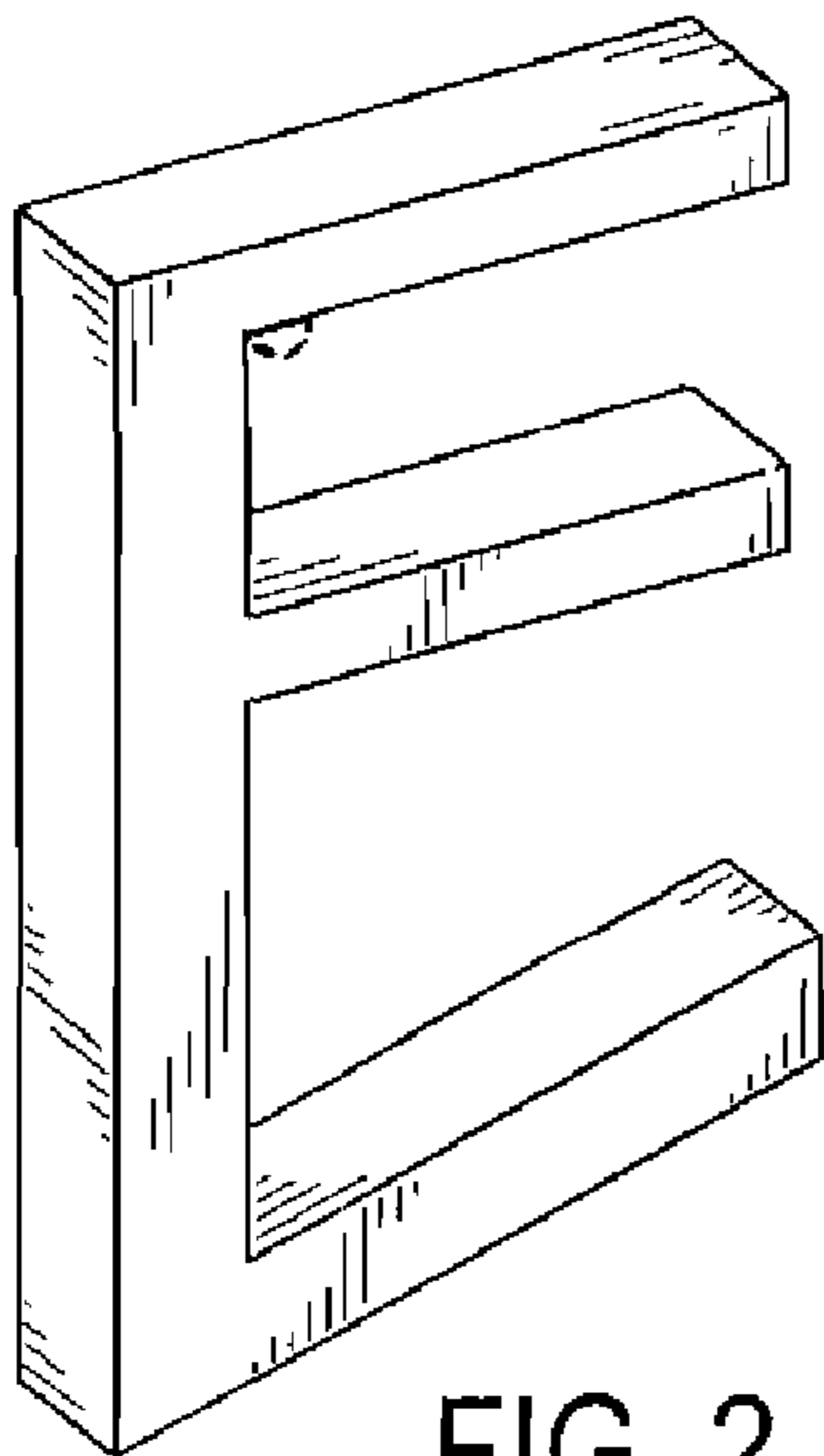


FIG. 2

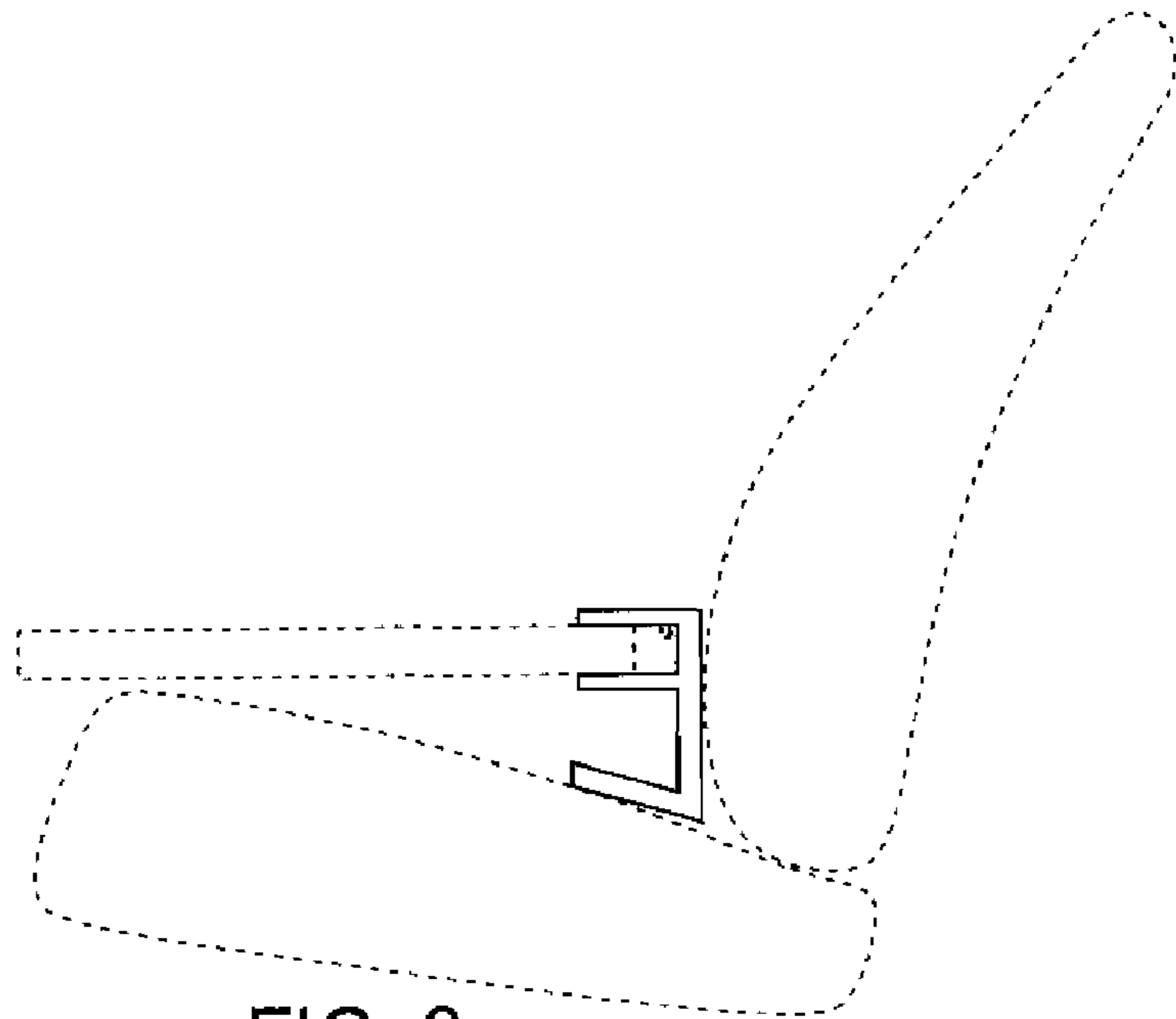


FIG. 3