

US00D596940S

(12) **United States Design Patent**
Eigenstetter

(10) **Patent No.:** **US D596,940 S**
(45) **Date of Patent:** **** Jul. 28, 2009**

(54) **DISPENSER HEAD**

(75) Inventor: **Bernd Eigenstetter**, München (DE)

(73) Assignee: **Ing. Erich Pfeiffer GmbH** (DE)

(**) Term: **14 Years**

(21) Appl. No.: **29/327,633**

(22) Filed: **Nov. 10, 2008**

(30) **Foreign Application Priority Data**

May 19, 2008 (EM) 000936257

(51) **LOC (9) Cl.** **09-07**

(52) **U.S. Cl.** **D9/448**

(58) **Field of Classification Search** D9/690,
D9/688, 686, 453, 450, 449, 448, 447, 435;
D24/10; 222/547, 321.4-321.9, 153.13,
222/1

See application file for complete search history.

(56) **References Cited**

U.S. PATENT DOCUMENTS

D291,972 S * 9/1987 Pfeiffer D9/448
D310,723 S * 9/1990 Su D24/110
5,277,340 A * 1/1994 Van Brocklin 222/321.7
5,669,530 A * 9/1997 Cichon et al. 222/153.09
D420,288 S * 2/2000 Garcia D9/448

D429,642 S * 8/2000 Garcia D9/448
D437,224 S * 2/2001 Brozell D9/448
D439,842 S * 4/2001 Garcia D9/448
6,401,990 B1 * 6/2002 Walters et al. 222/547
D532,301 S * 11/2006 Moretti D9/448
D547,183 S * 7/2007 Cornet et al. D9/448
D547,654 S * 7/2007 Cornet et al. D9/448
D551,077 S * 9/2007 Bloc D9/448
D567,651 S * 4/2008 Bloc D9/448
2003/0150876 A1 * 8/2003 Walters et al. 222/153.13

* cited by examiner

Primary Examiner—Susan Bennett Hattan
(74) *Attorney, Agent, or Firm*—Akerman Senterfitt

(57) **CLAIM**

The ornamental design for a dispenser head, as shown and described.

DESCRIPTION

FIG. 1 is a side perspective view of the dispenser head;
FIG. 2 is a front elevation view thereof;
FIG. 3 is a side elevation view thereof (the opposite side being a mirror image);
FIG. 4 is a rear elevation view thereof; and,
FIG. 5 is a top plan view thereof.

1 Claim, 5 Drawing Sheets

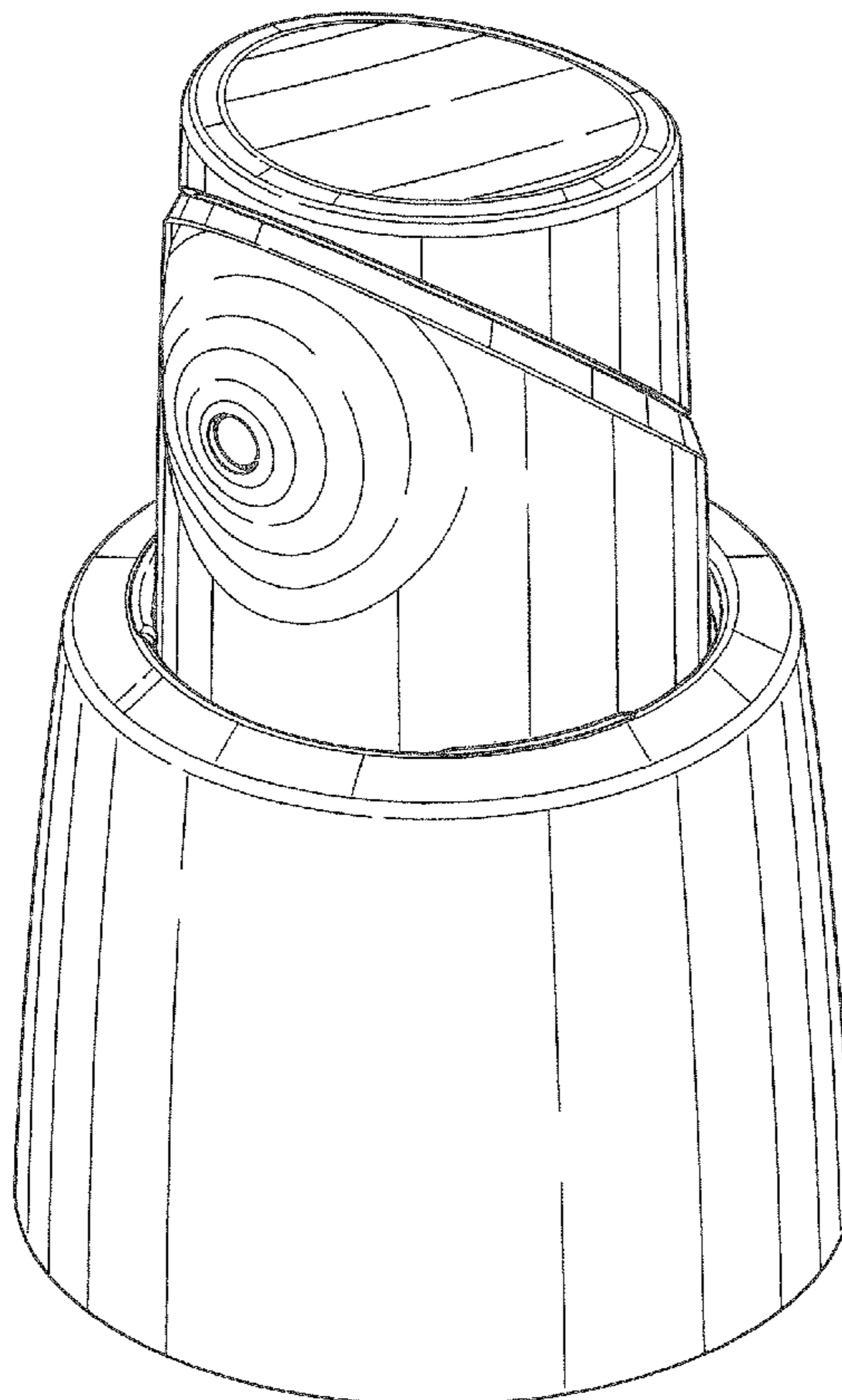


FIG. 1

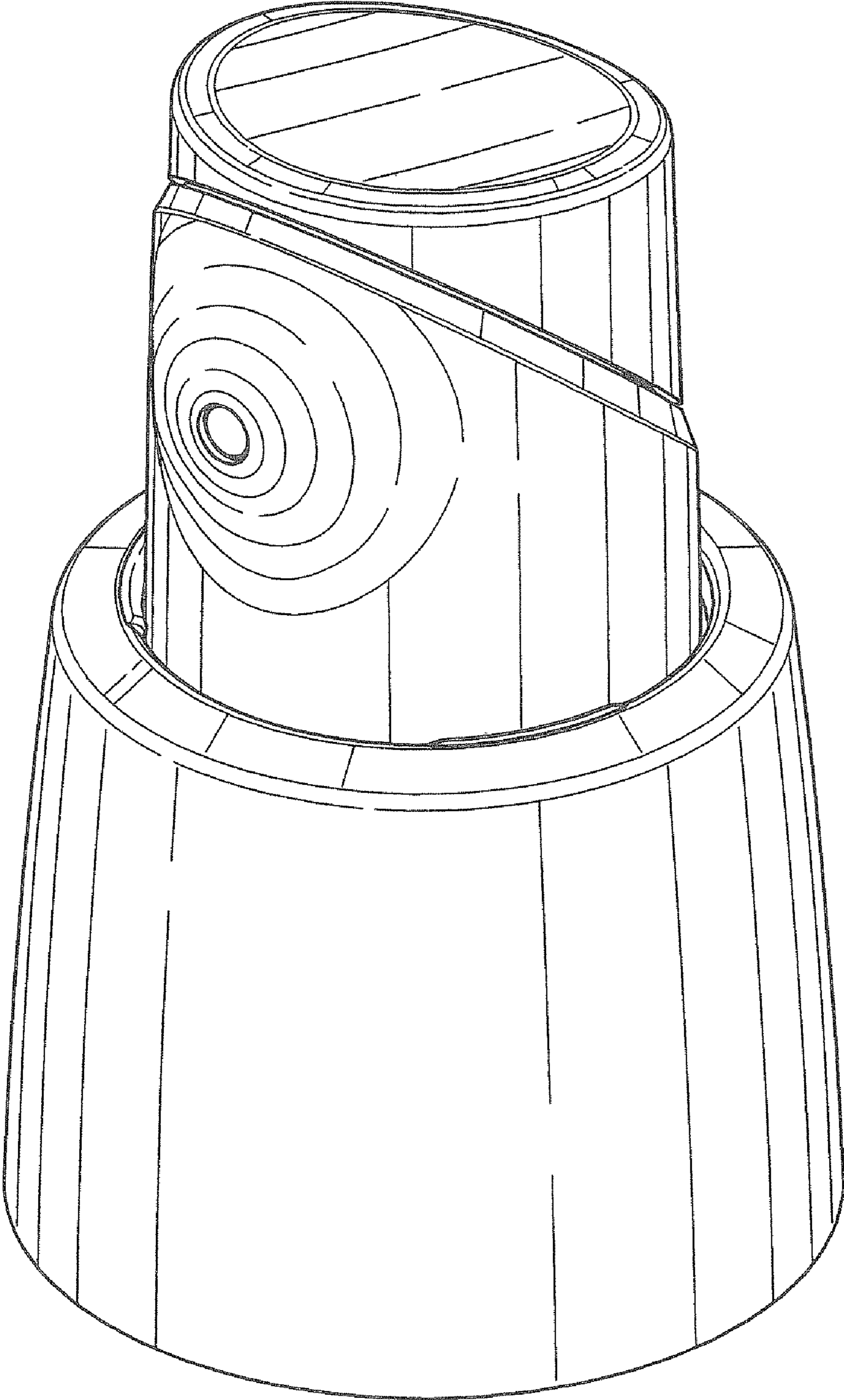


FIG. 2

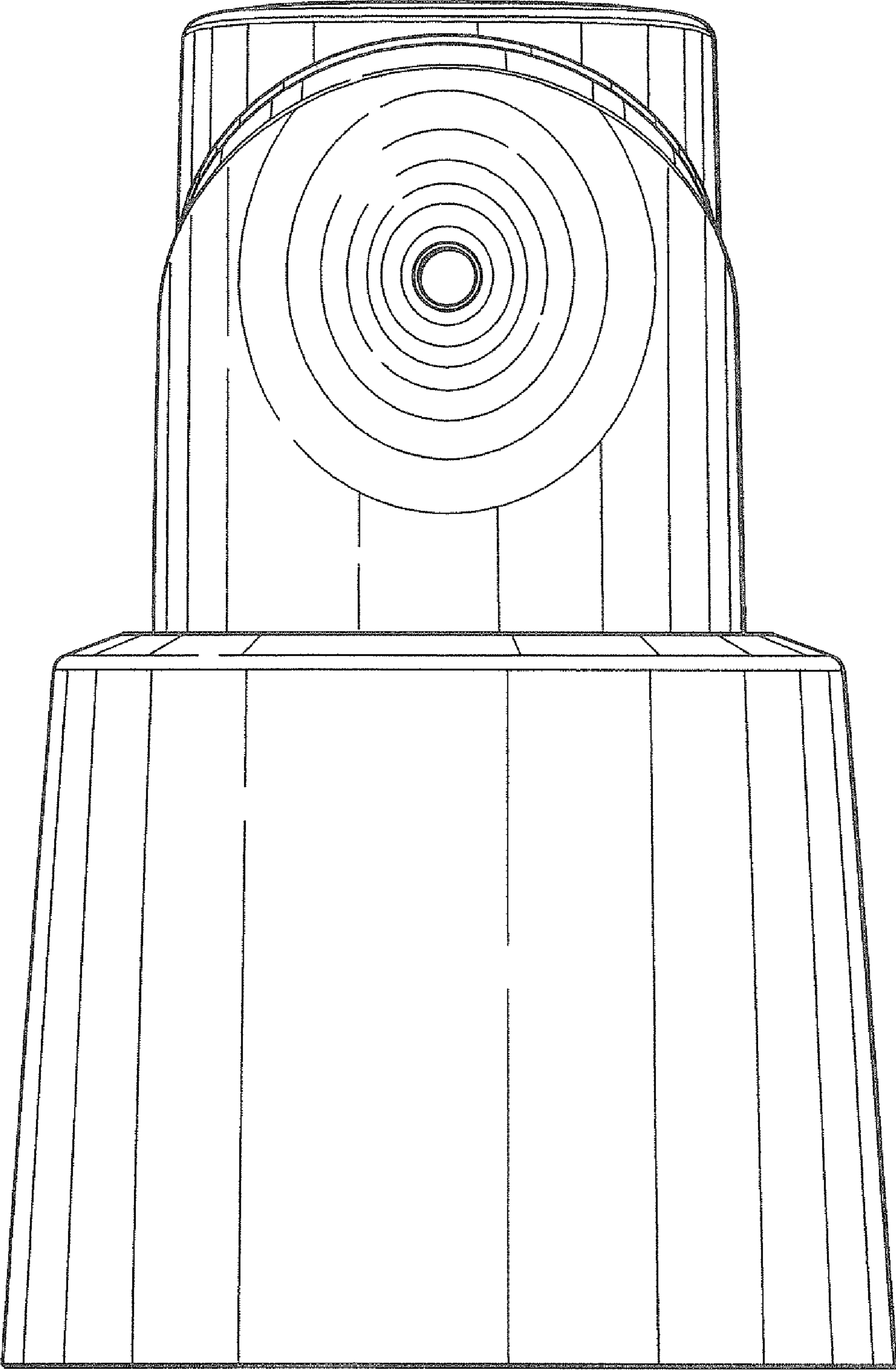


FIG. 3

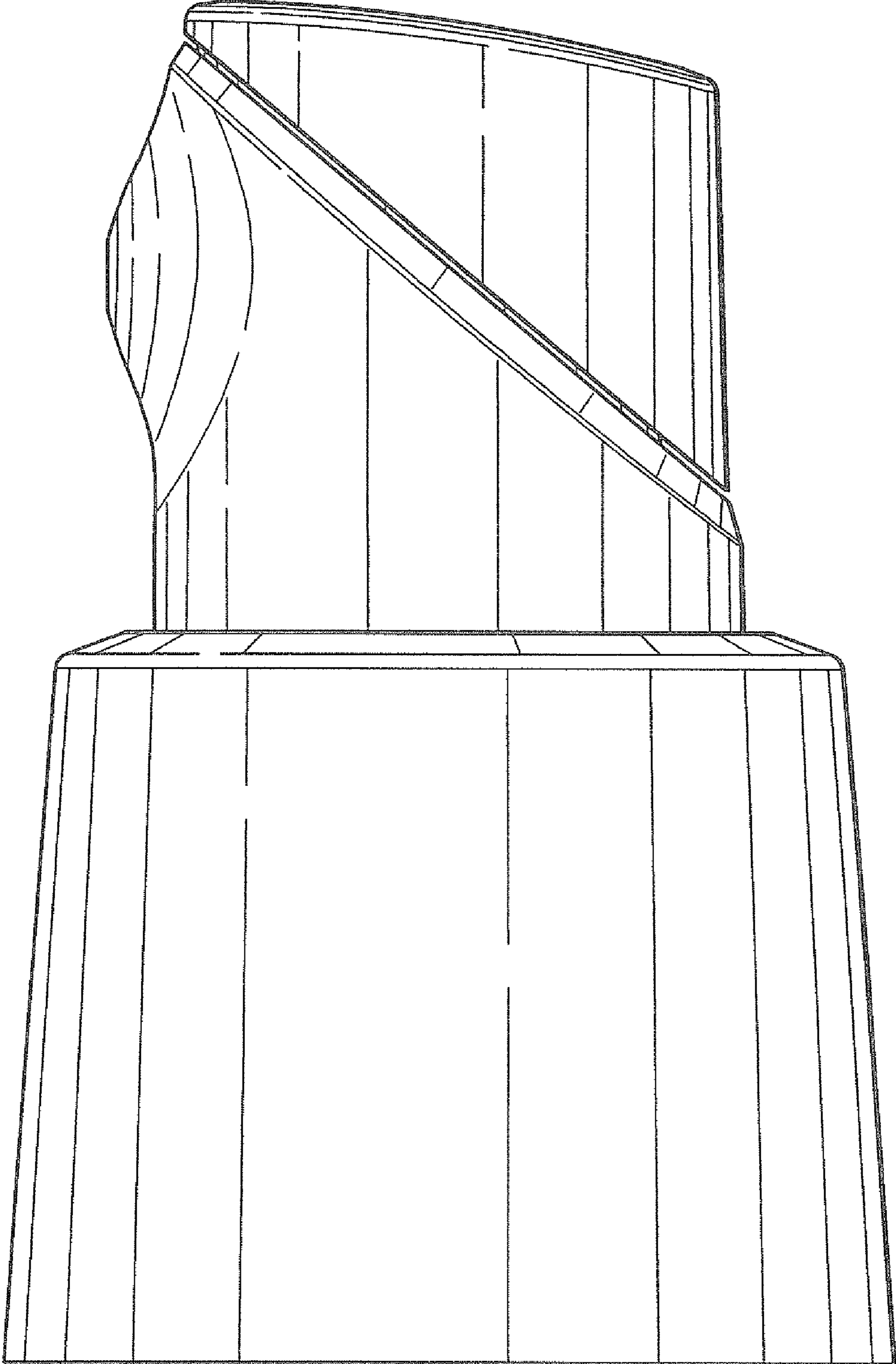


FIG. 4

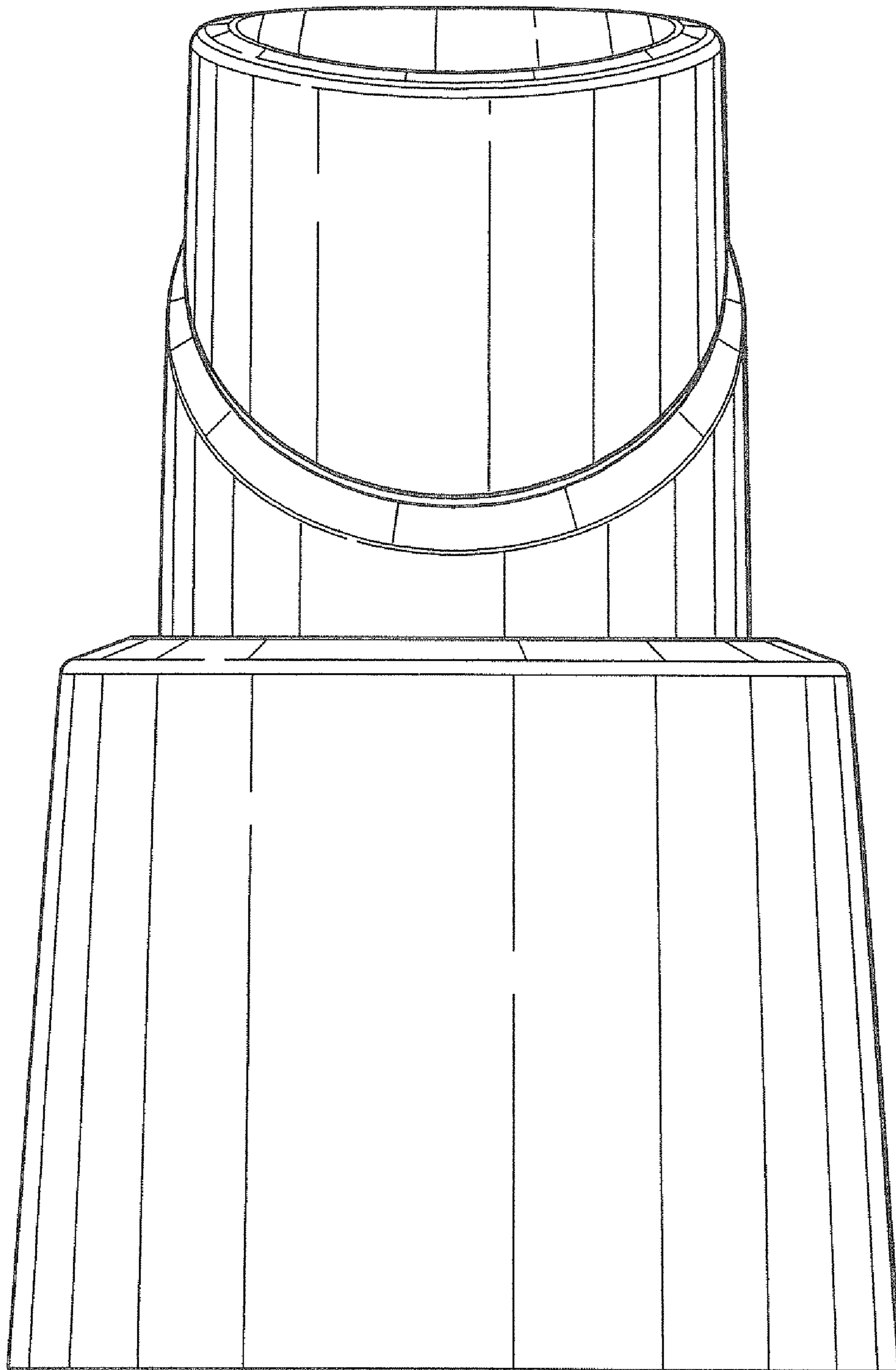


FIG. 5

