

US00D596938S

(12) **United States Design Patent**
Broadbent

(10) **Patent No.:** **US D596,938 S**

(45) **Date of Patent:** **** Jul. 28, 2009**

(54) **SPRAYING DEVICE**

(75) Inventor: **Clive Broadbent**, Hyde (GB)

(73) Assignee: **Global One-Pak Limited** (GB)

(**) Term: **14 Years**

(21) Appl. No.: **29/323,468**

(22) Filed: **Aug. 26, 2008**

(51) **LOC (9) Cl.** **09-07**

(52) **U.S. Cl.** **D9/448**

(58) **Field of Classification Search** D9/686,
D9/685, 682, 448, 435, 434; D8/51; D23/226,
D23/213; 417/411; 239/428.5, 343, 337,
239/333, 215, 120; 222/402.11, 383.3, 383.1,
222/323, 1

See application file for complete search history.

(56) **References Cited**

U.S. PATENT DOCUMENTS

- D406,060 S * 2/1999 Dumont et al. D9/448
- D433,943 S * 11/2000 Keung et al. D9/448
- D494,866 S * 8/2004 Guala D9/448
- D495,399 S * 8/2004 Guala D23/213
- D578,888 S * 10/2008 Alluigi D9/448

- D582,768 S * 12/2008 Cantoni et al. D9/448
- D582,769 S * 12/2008 Turchi D9/448
- D582,770 S * 12/2008 Turchi D9/448
- D582,771 S * 12/2008 Cantoni D9/448
- D583,233 S * 12/2008 Cantoni et al. D9/448
- D587,574 S * 3/2009 Cantoni et al. D9/448

* cited by examiner

Primary Examiner—Susan Bennett Hattan

(74) *Attorney, Agent, or Firm*—McKee, Voorhees & Sease, P.L.C.

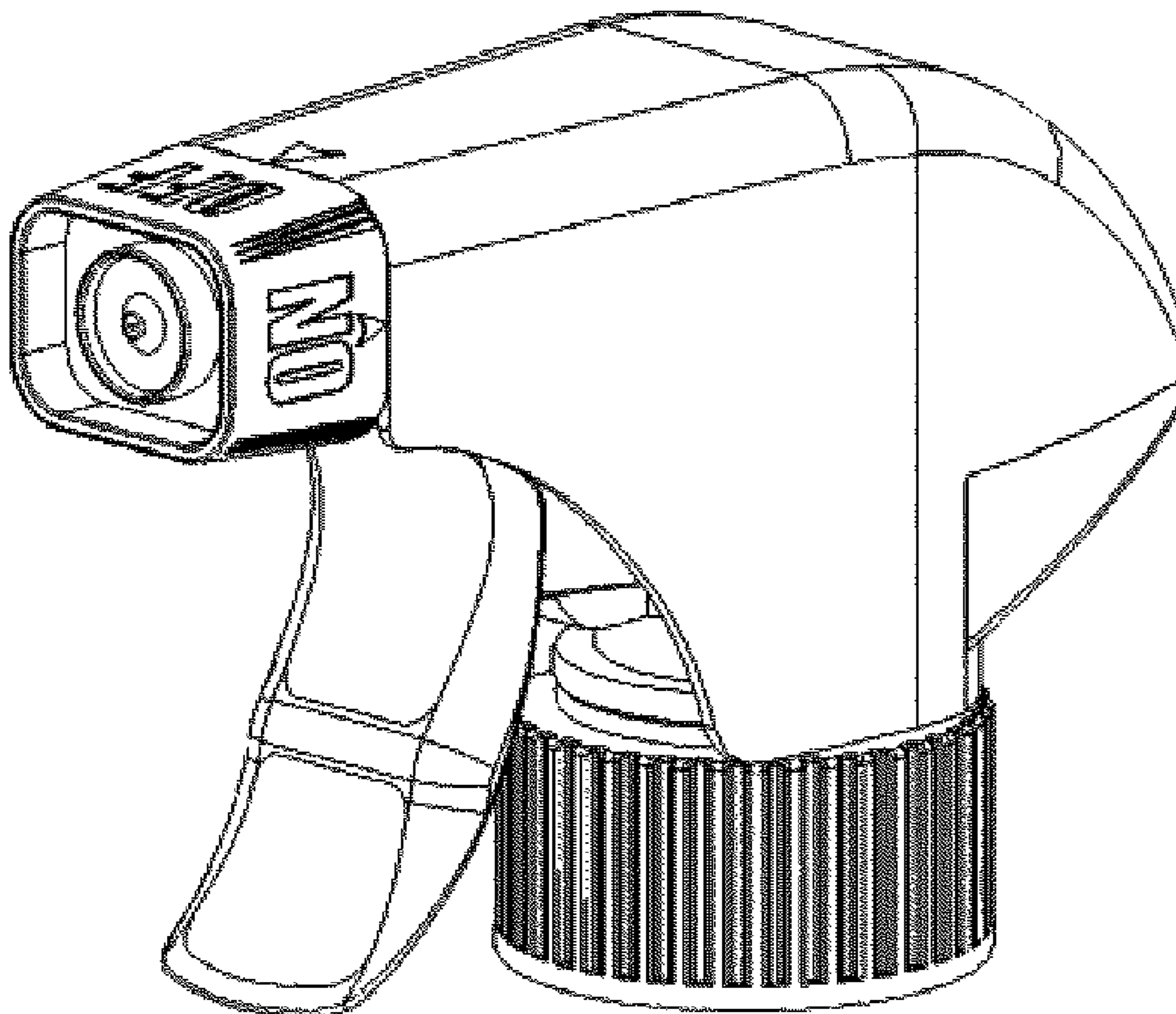
(57) **CLAIM**

I claim the ornamental design for spraying device, as shown and described.

DESCRIPTION

- FIG. 1 is a perspective view of the spraying device.
- FIG. 2 is an opposite perspective view of the spraying device.
- FIG. 3 is a top view of the spraying device.
- FIG. 4 is a front view of the spraying device.
- FIG. 5 is a rear view of the spraying device.
- FIG. 6 is a side view of the spraying device; and,
- FIG. 7 is an opposite side view of the spraying device.

1 Claim, 1 Drawing Sheet



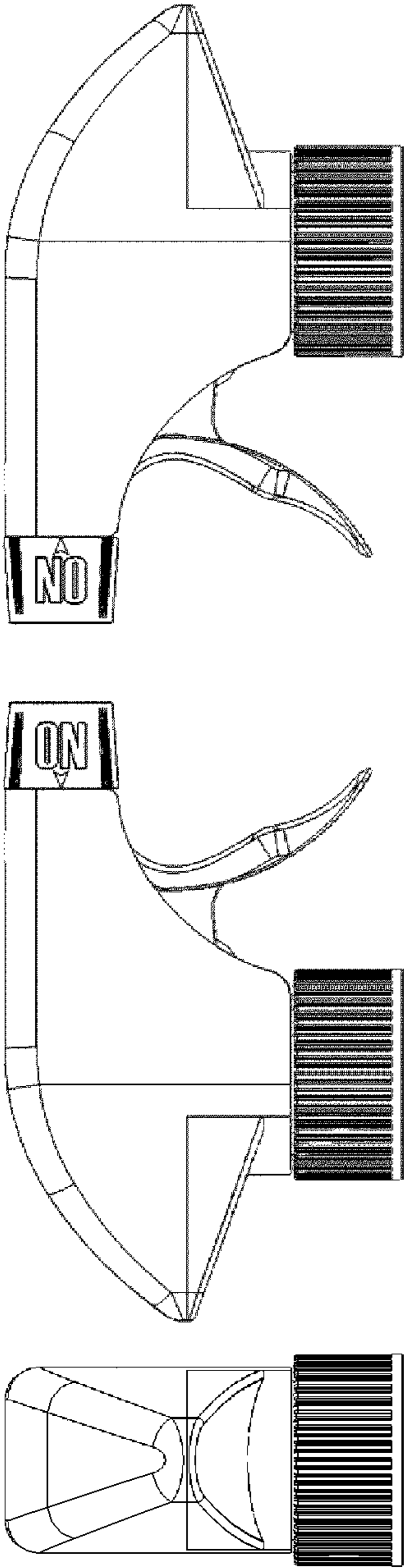


FIG. 7

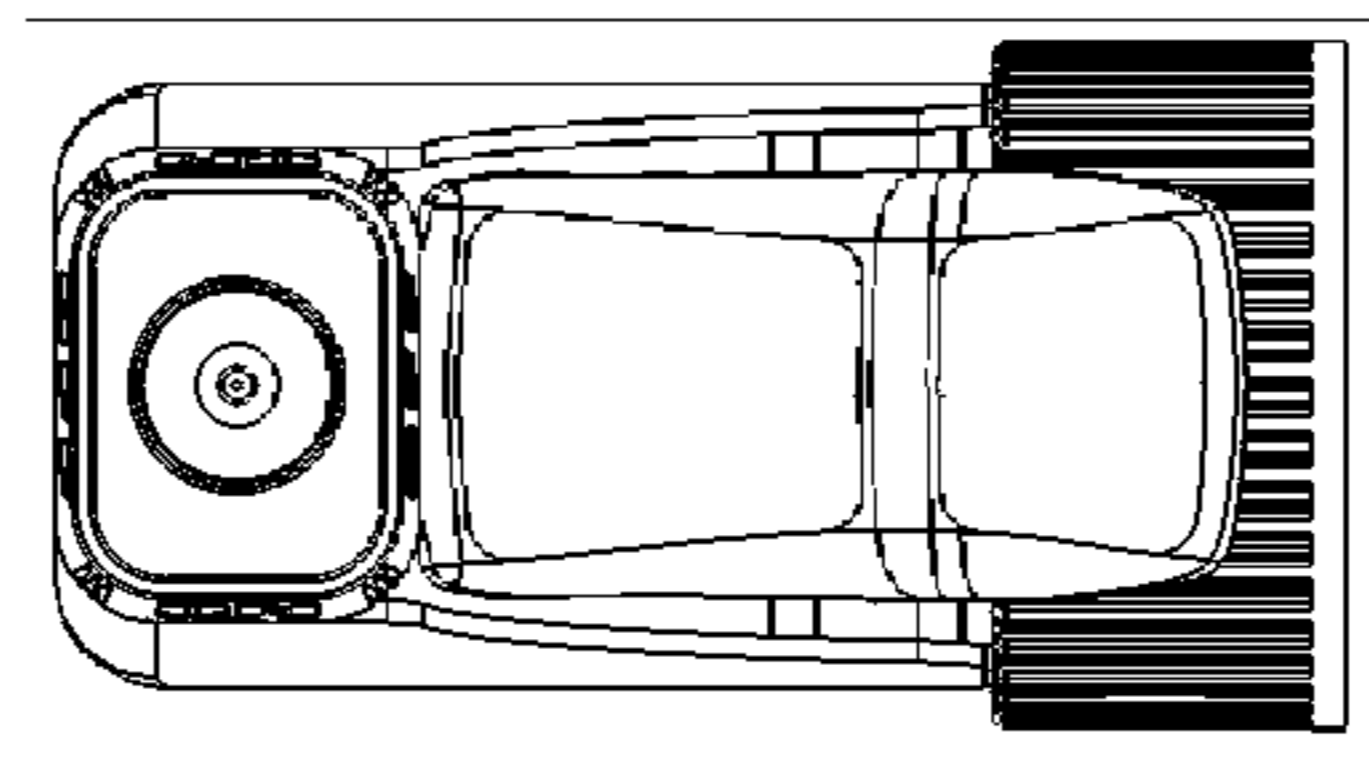


FIG. 4

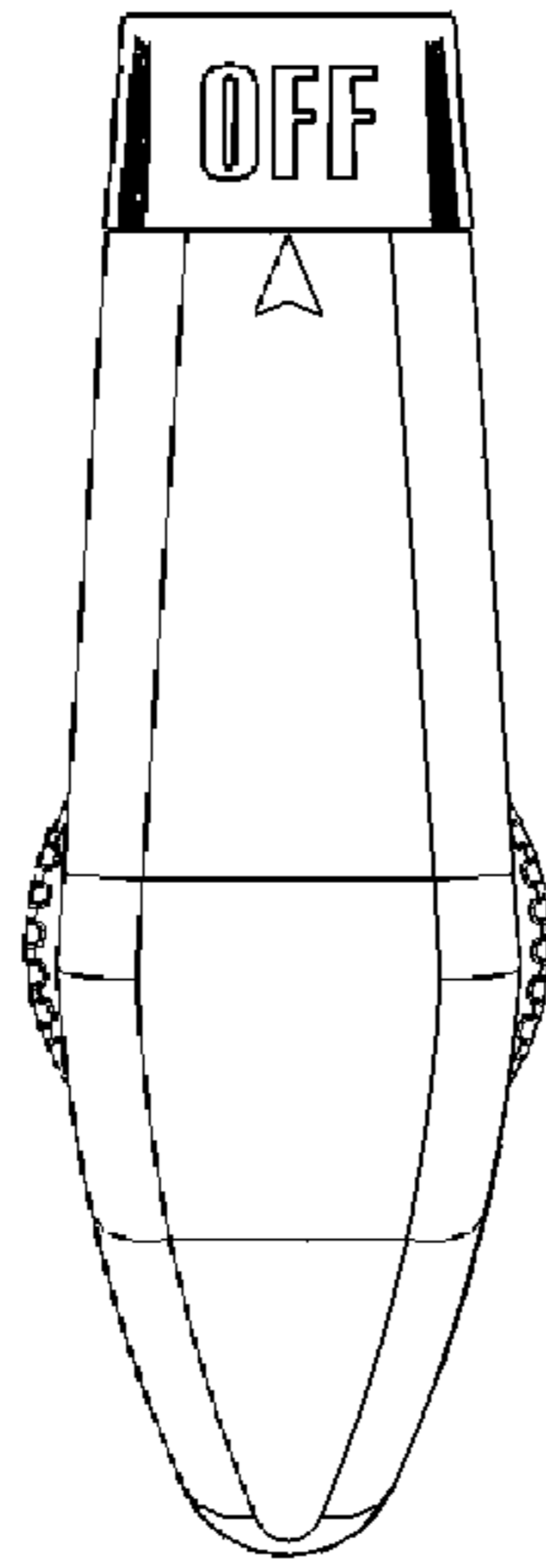


FIG. 3

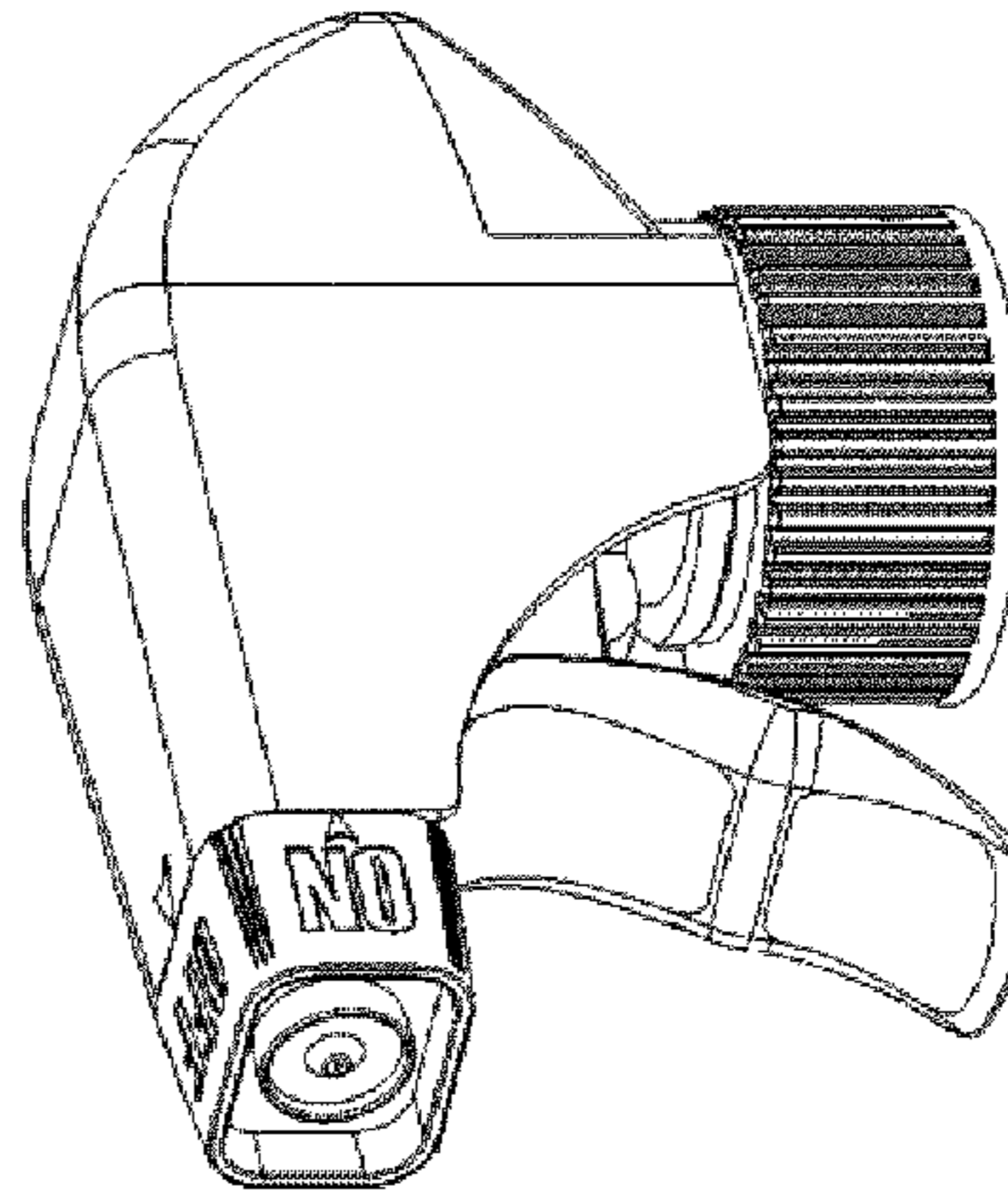


FIG. 1

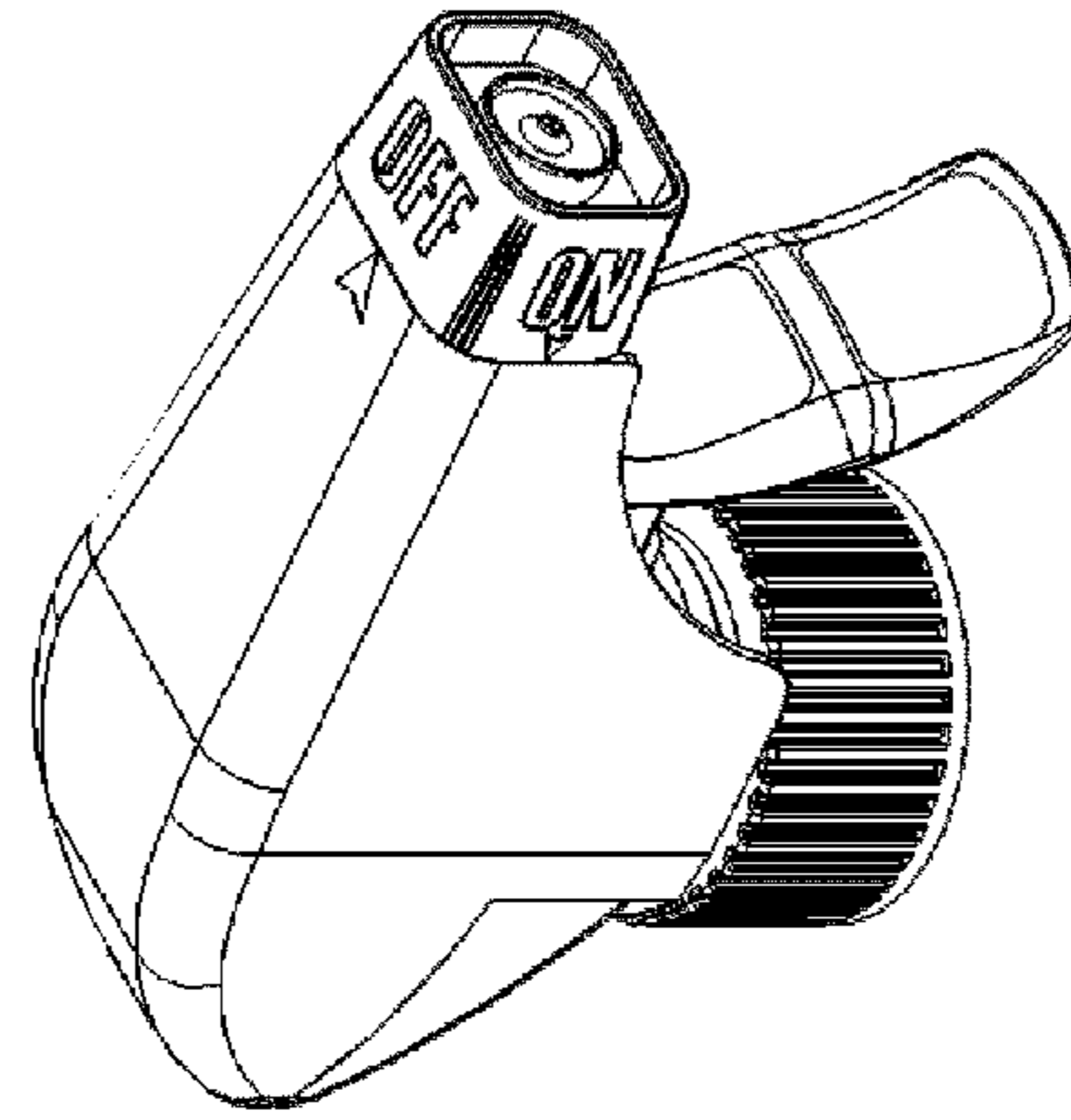


FIG. 2