

US00D596934S

(12) **United States Design Patent**
Vakiener et al.

(10) **Patent No.:** **US D596,934 S**
(45) **Date of Patent:** **** Jul. 28, 2009**

(54) **ANAEROBIC WASHER**

(75) Inventors: **Brian R. Vakiener**, Rocky Hill, CT (US); **Gary S. Tremley**, Plainville, CT (US); **Shabbir Attarwala**, Simsbury, CT (US); **Ifeanyi C. Broderick**, East Hampton, CT (US); **Andrew J. Bardon**, Fairfield, CT (US); **Avrie P. Malcolm**, Farmington, CT (US)

(73) Assignee: **Henkel Corporation**, Rocky Hill, CT (US)

(**) Term: **14 Years**

(21) Appl. No.: **29/323,439**

(22) Filed: **Aug. 26, 2008**

Related U.S. Application Data

(62) Division of application No. 29/282,594, filed on Jul. 25, 2007, now Pat. No. Des. 576,480.

(51) **LOC (9) Cl.** **08-08**

(52) **U.S. Cl.** **D8/397**

(58) **Field of Classification Search** D8/382, D8/387, 394, 397-399, 29; 81/121.1; 222/412; 411/81, 88, 90-93, 96-98, 103, 114, 106-108, 411/132-165, 172-189, 337, 338, 366.1-366.3, 411/368, 369, 371.2, 371.5, 418, 427, 429-432, 411/436, 437, 526, 531-538, 542, 544, 370, 411/372; D12/213

See application file for complete search history.

(56) **References Cited**

U.S. PATENT DOCUMENTS

| | | |
|-------------|---------|-----------|
| 1,031,368 A | 7/1912 | Perry |
| 1,137,433 A | 4/1915 | Swartwood |
| 1,249,948 A | 12/1917 | Gruber |
| 1,320,259 A | 10/1919 | Nolan |
| 1,460,749 A | 7/1923 | Dull |
| 1,579,875 A | 4/1926 | Lundberg |
| 1,675,277 A | 6/1928 | Roe |
| 2,030,088 A | 2/1936 | Young |

| | | | |
|---------------|---------|--------------|-----------------|
| 2,439,516 A | 4/1948 | Holcomb | |
| 2,867,874 A | 1/1959 | Larson | |
| 2,927,495 A * | 3/1960 | Barwood | 411/371.1 |
| 3,009,381 A | 11/1961 | Rapata | |
| 3,016,941 A | 1/1962 | Coldren | |
| 3,090,203 A | 5/1963 | Andre | |
| 3,117,611 A | 1/1964 | Matthews | |
| 3,362,737 A | 1/1968 | Cobb | |
| 3,596,656 A | 8/1971 | Kaute | |
| 3,726,178 A * | 4/1973 | Dimitry | 411/371.1 |
| 4,102,239 A | 7/1978 | Dallas | |
| 4,280,390 A * | 7/1981 | Murray | 411/542 |
| 4,292,876 A | 10/1981 | De Graan | |
| 4,347,024 A | 8/1982 | Coldren | |
| D275,452 S | 9/1984 | Payne | |
| 4,486,133 A | 12/1984 | Pletcher | |
| D284,264 S | 6/1986 | Resan | |
| D284,265 S | 6/1986 | Resan | |
| 4,793,757 A | 12/1988 | Peterson | |
| 5,079,055 A | 1/1992 | Doyle | |
| 5,256,020 A | 10/1993 | Ikeda et al. | |

(Continued)

Primary Examiner—T. Chase Nelson
Assistant Examiner—Karen Acker

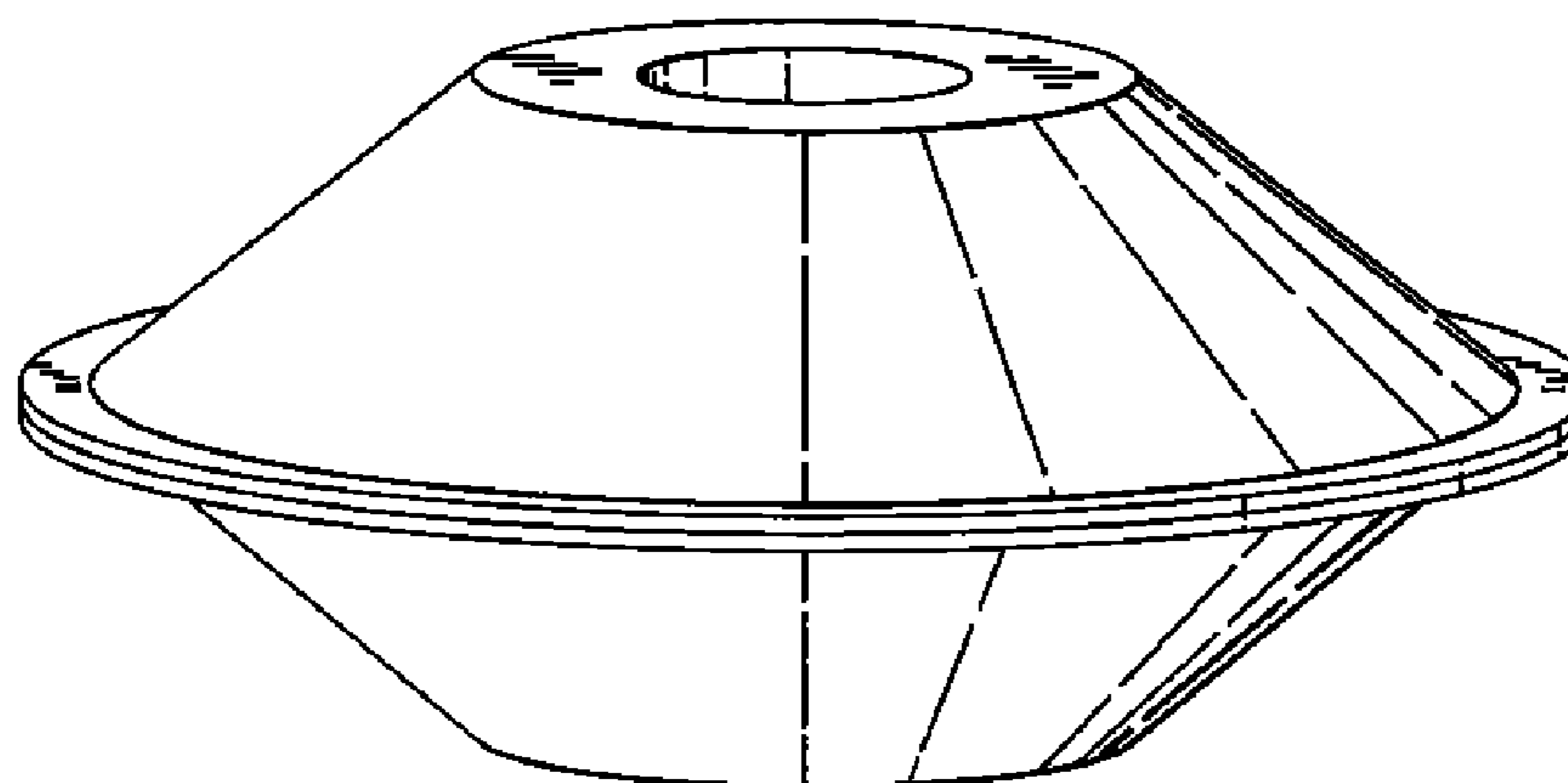
(57) **CLAIM**

What is claimed is the ornamental design for the anaerobic washer, as shown and described.

DESCRIPTION

FIG. 1 is a front, top perspective view of an anaerobic washer; FIG. 2 is a front view of the anaerobic washer, the rear, right-hand side and left-hand side views being mirror images thereof; and, FIG. 3 is a top view of the anaerobic washer, the bottom view being a mirror image thereof.

1 Claim, 1 Drawing Sheet



US D596,934 S

Page 2

| U.S. PATENT DOCUMENTS | | | | | |
|-----------------------|-----|--------------|----------------------|---------|------------------------------|
| | | 6,039,525 | A * | 3/2000 | Johnson 411/353 |
| | | D482,270 | S | 11/2003 | Derilo |
| | | 6,672,593 | B2 | 1/2004 | Smeltzer |
| | | RE39,499 | E | 2/2007 | Racz |
| | | D549,091 | S * | 8/2007 | McIntyre et al. D8/399 |
| | | D562,856 | S * | 2/2008 | Hawley et al. D15/144 |
| | | 2004/0101383 | A1 | 5/2004 | Carr |
| | | 2006/0171794 | A1 * | 8/2006 | Ordonio et al. 411/369 |
| | | 2008/0310932 | A1 * | 12/2008 | McIntyre et al. 411/150 |
| 5,419,666 | A | 5/1995 | Best | | |
| 5,423,858 | A | 6/1995 | Bolanos | | |
| 5,517,883 | A | 5/1996 | Goldi | | |
| 5,541,377 | A | 7/1996 | Stuhlmacher | | |
| 5,628,587 | A | 5/1997 | Lesslie | | |
| 5,649,798 | A | 7/1997 | Ito | | |
| 5,711,581 | A | 1/1998 | Plumer | | |
| 5,833,422 | A | 11/1998 | Haga et al. | | |
| 5,845,911 | A * | 12/1998 | Gimino 277/636 | | * cited by examiner |

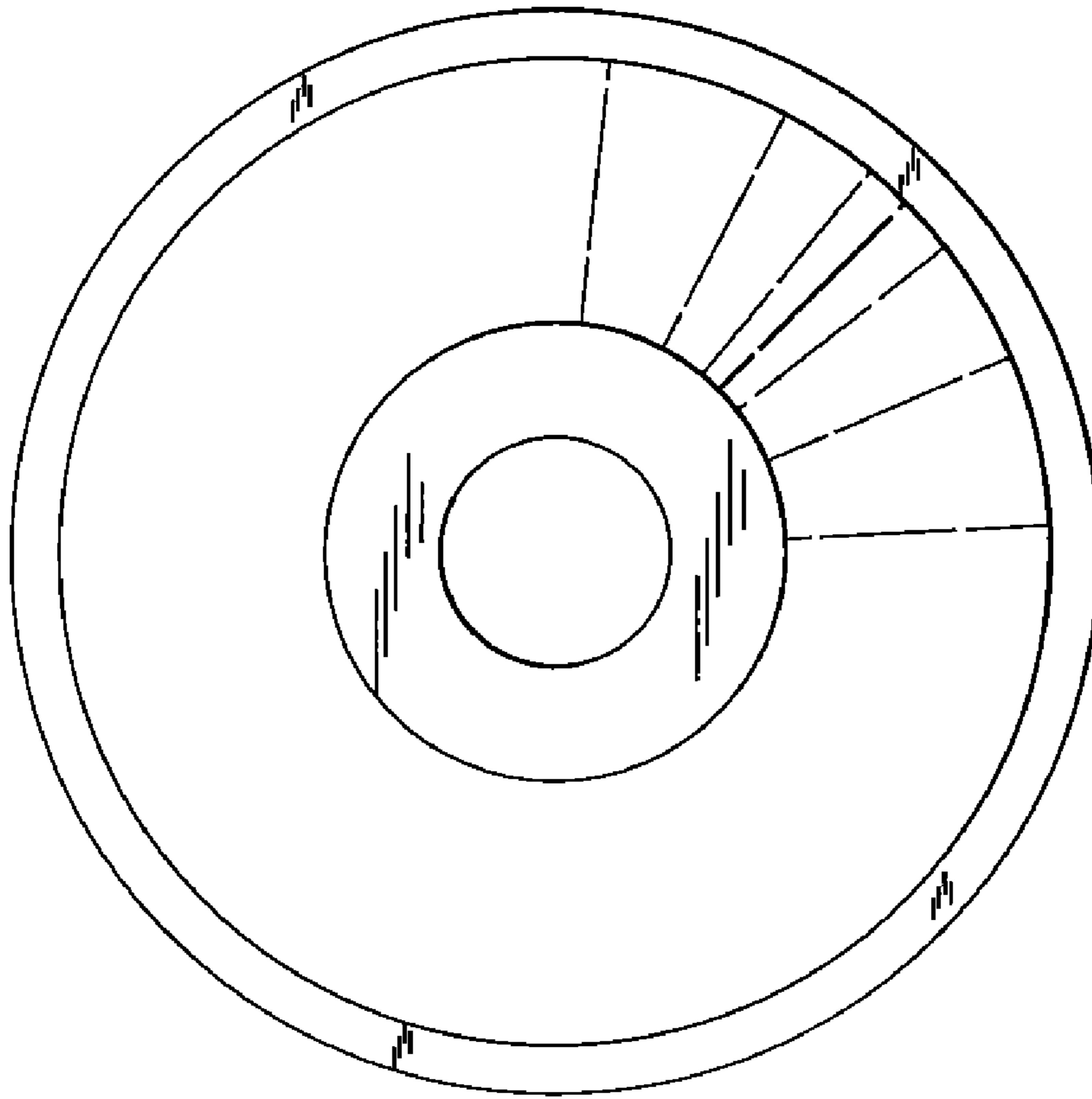


FIG. 3

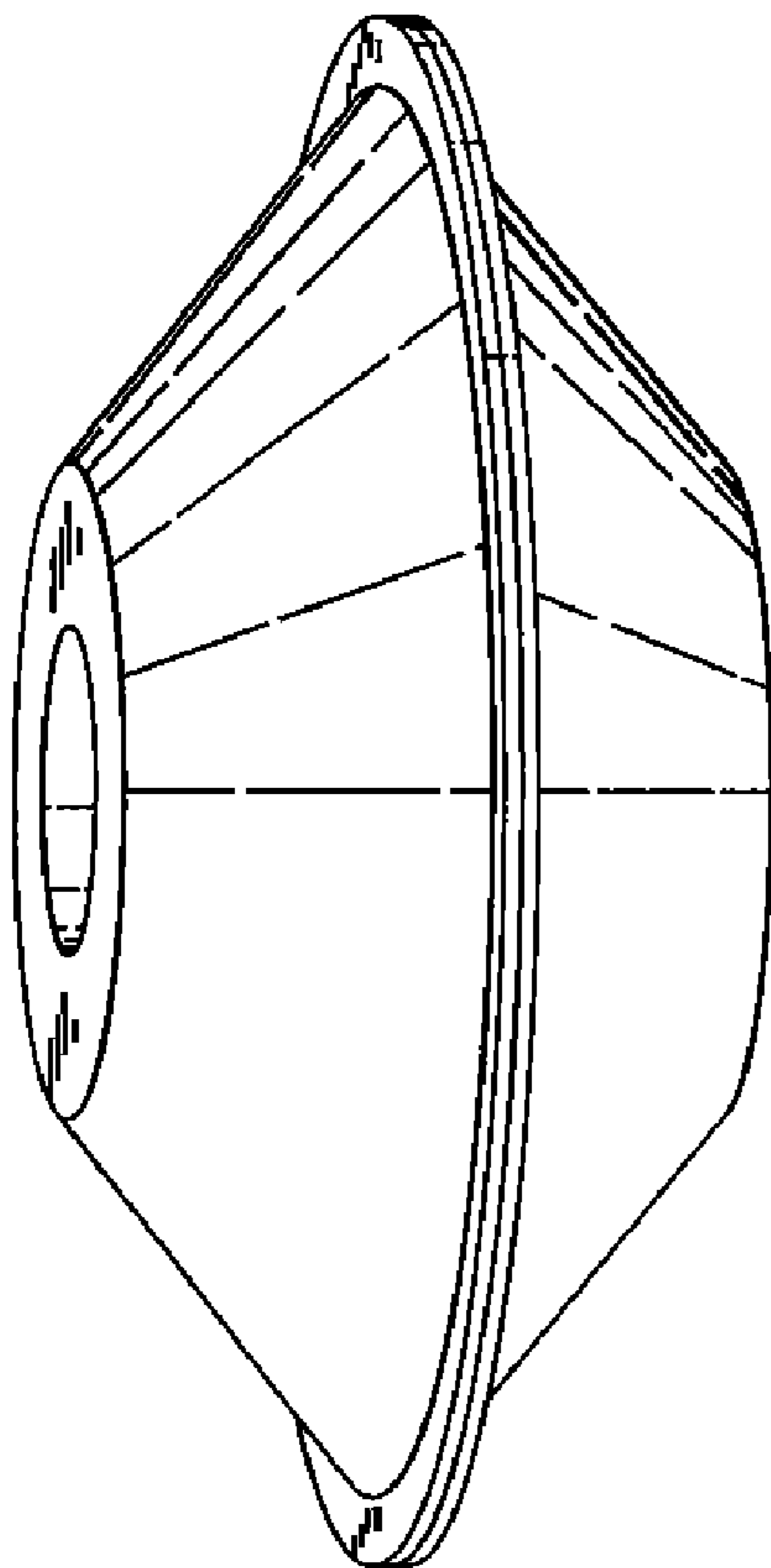


FIG. 1

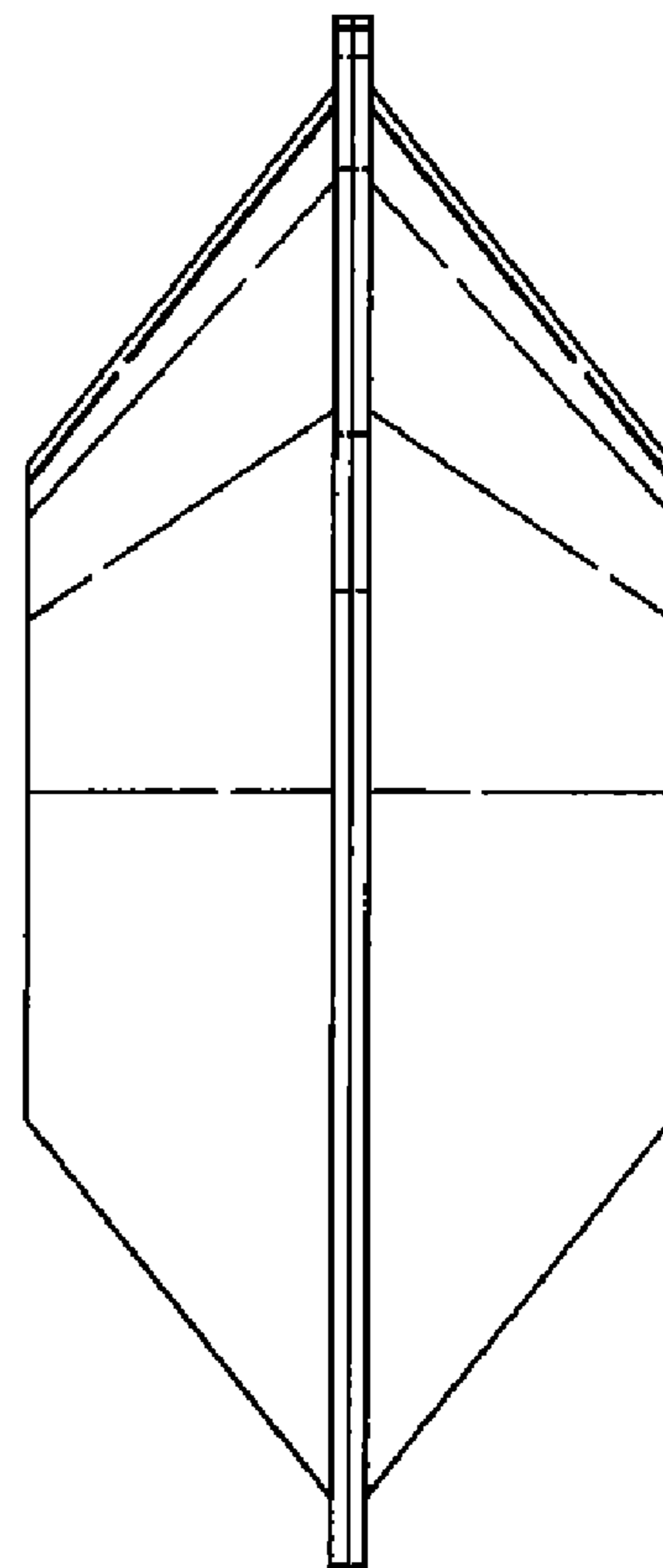


FIG. 2