

US00D596933S

(12) **United States Design Patent**
Banno et al.

(10) **Patent No.:** **US D596,933 S**
(45) **Date of Patent:** **** Jul. 28, 2009**

(54) **FASTENER FOR ATTACHING WIRE HARNESS**

2006/0239796 A1* 10/2006 Franks 411/455
2007/0266531 A1* 11/2007 Krisel 24/16 PB

(75) Inventors: **Kazuhiro Banno**, Okazaki (JP);
Katsuya Hirakawa, Okazaki (JP)

FOREIGN PATENT DOCUMENTS

(73) Assignee: **Daiwa Kasei Kogyo Kabushiki Kaisha**,
Okazaki-shi, Aichi-ken (JP)

JP 1003089 11/1997
JP 1015514 5/1998
JP 1204387 3/2004

(**) Term: **14 Years**

* cited by examiner

(21) Appl. No.: **29/272,674**

Primary Examiner—T. Chase Nelson
Assistant Examiner—John Windmuller

(22) Filed: **Feb. 15, 2007**

(74) *Attorney, Agent, or Firm*—Dennison, Schultz & MacDonald

(30) **Foreign Application Priority Data**

(57) **CLAIM**

Nov. 22, 2006 (JP) 2003-032034

The ornamental design for a fastener for attaching wire harness, as shown and described.

(51) **LOC (9) Cl.** **08-08**

DESCRIPTION

(52) **U.S. Cl.** **D8/396**

(58) **Field of Classification Search** D8/356,
D8/383, 394–396; 24/16 PB, 17 AP, 30.5 P,
24/30.5 S, 300–302, 339, DIG. 16; 248/58,
248/60, 74.3; 70/16; 128/878

FIG. 1 is a perspective view of a fastener for attaching wire harness showing our new design;

See application file for complete search history.

FIG. 2 is a front elevation view thereof;

(56) **References Cited**

U.S. PATENT DOCUMENTS

4,875,647 A * 10/1989 Takagi et al. 248/74.3
4,944,475 A * 7/1990 Ono et al. 248/71
5,131,613 A * 7/1992 Kamiya et al. 248/74.3
6,749,157 B2 * 6/2004 Takeuchi 248/71
2003/0075647 A1 * 4/2003 Takenaga 248/71
2006/0192059 A1 * 8/2006 Morello 248/74.3

FIG. 3 is a rear elevation view thereof;

FIG. 4 is a left side elevation view thereof;

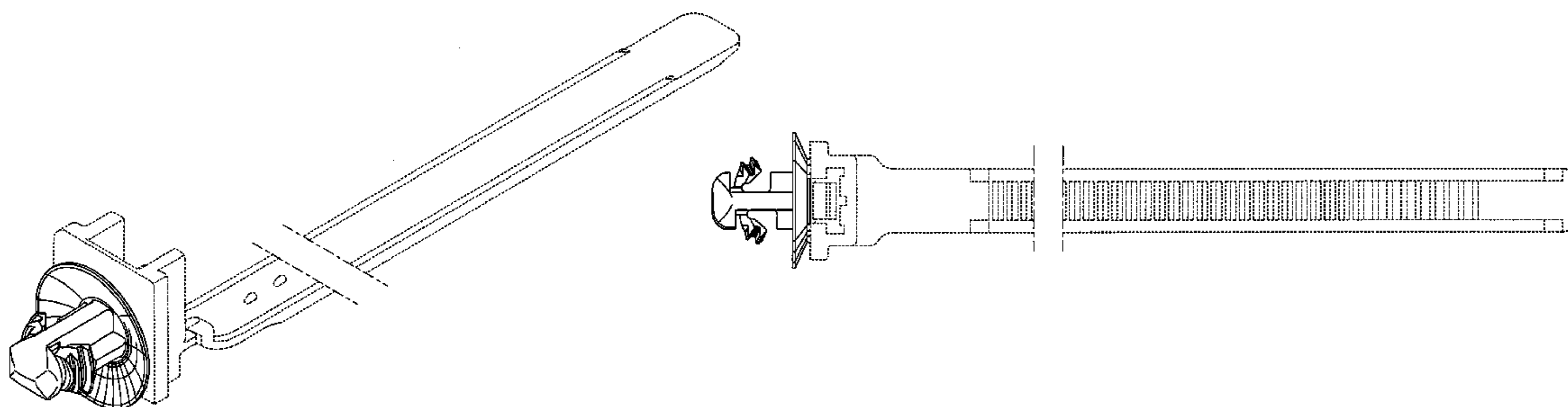
FIG. 5 is a right side elevation view thereof;

FIG. 6 is a top plan view thereof; and,

FIG. 7 is a bottom plan view thereof.

The break away portions of the harness shown in broken lines are for illustrative purposes only and do not form part of the claimed design.

1 Claim, 4 Drawing Sheets



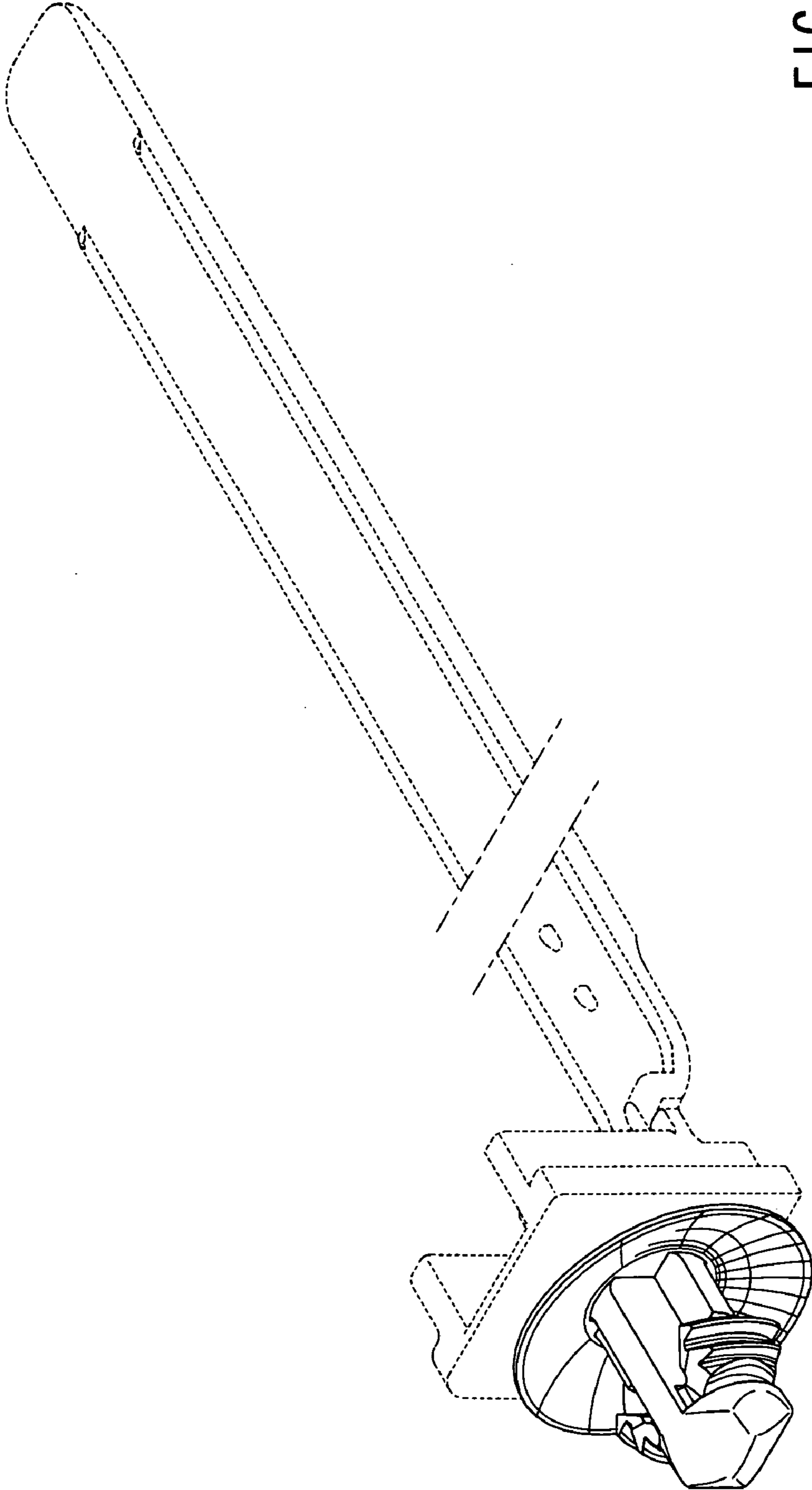


FIG. 1

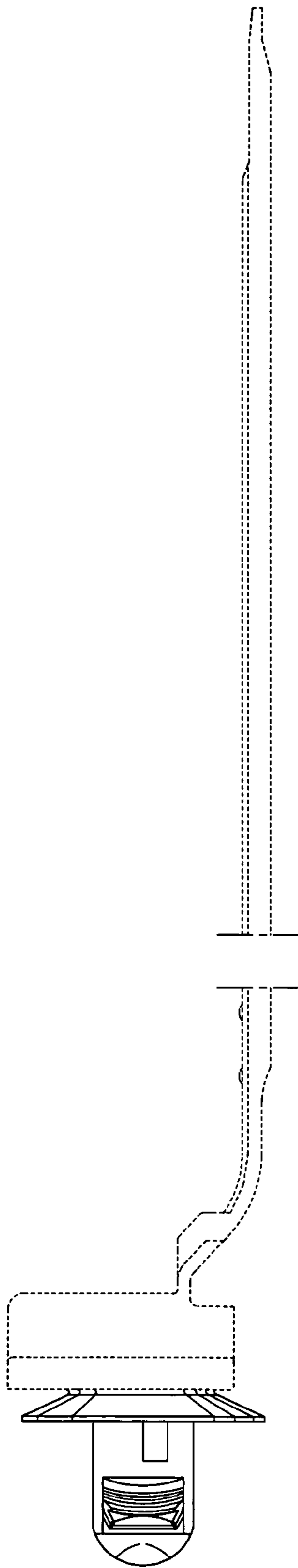


FIG. 2

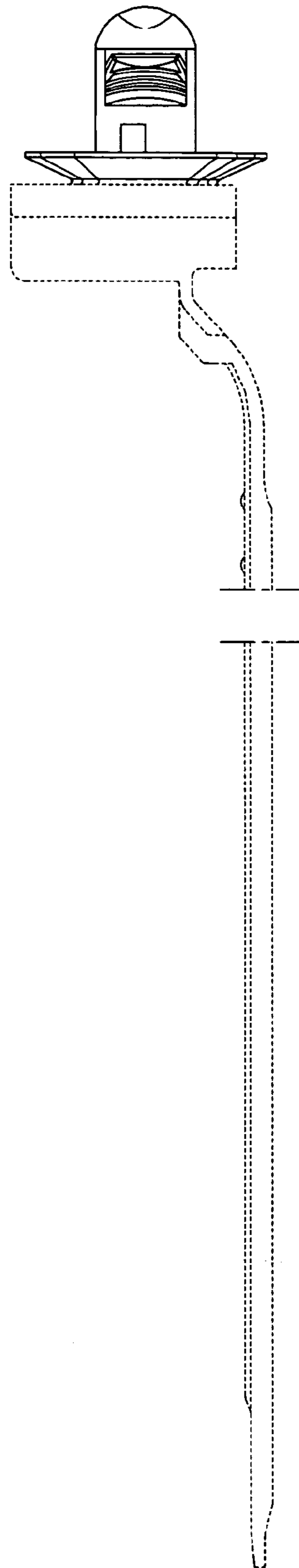


FIG. 3

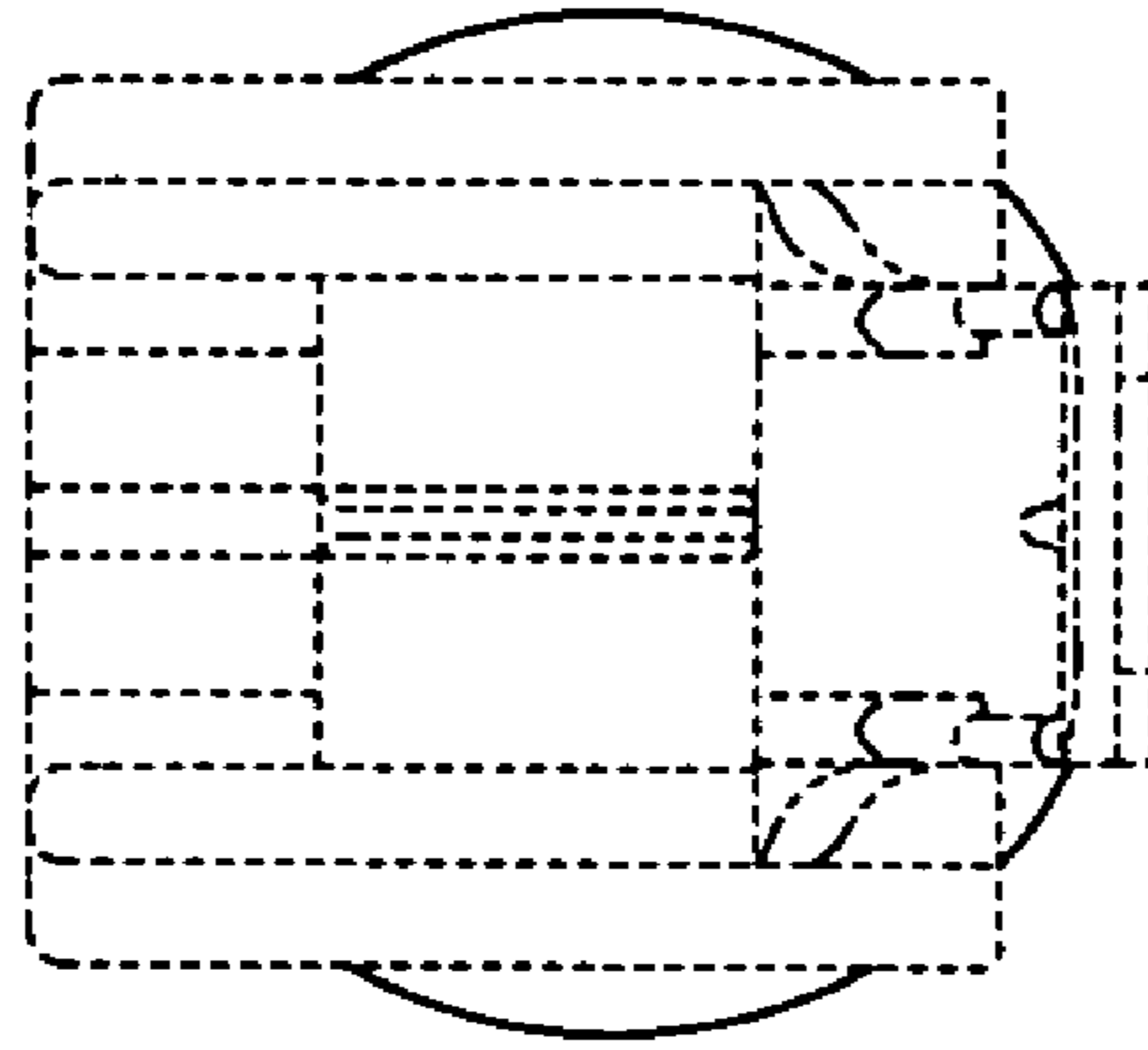


FIG. 4

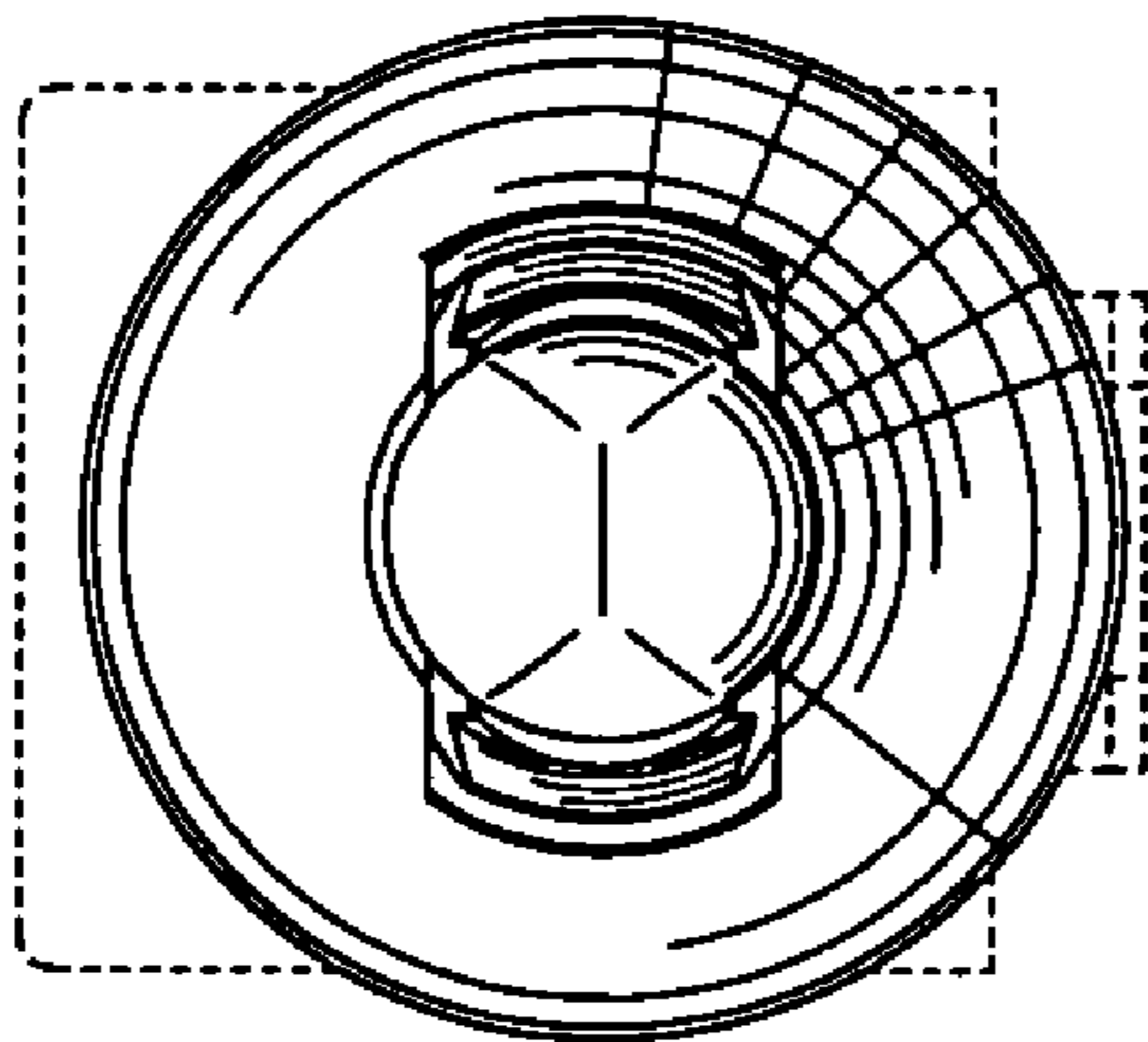


FIG. 5

