

US00D596930S

(12) **United States Design Patent**
Gaudron

(10) **Patent No.:** **US D596,930 S**

(45) **Date of Patent:** **** Jul. 28, 2009**

(54) **WALL MOUNTED HOOK**

(75) Inventor: **Paul Gaudron**, Stratford, CT (US)

(73) Assignee: **Power Fasteners, Inc.**, Brewster, NY (US)

(**) Term: **14 Years**

(21) Appl. No.: **29/281,935**

(22) Filed: **Jul. 6, 2007**

(51) **LOC (9) Cl.** **08-05**

(52) **U.S. Cl.** **D8/367**

(58) **Field of Classification Search** D8/354,
D8/363, 367, 370; 248/205.3, 226, 301,
248/304, 308, 496; 428/343; 211/49.1, 85.15;
40/641; 221/45, 49.1, 282, 283, 305; D6/323
See application file for complete search history.

(56) **References Cited**

U.S. PATENT DOCUMENTS

D417,385 S *	12/1999	Bries et al.	D8/367
6,199,811 B1 *	3/2001	Fargo	248/304
6,932,310 B1 *	8/2005	Diss	248/301
6,991,204 B2 *	1/2006	Ay	248/308
D515,911 S *	2/2006	McDuff	D8/367
D516,412 S *	3/2006	McDuff	D8/367

7,093,812 B1 *	8/2006	Nordeen	248/304
7,178,770 B2 *	2/2007	Ryu et al.	248/205.3
D554,481 S *	11/2007	Newbould et al.	D8/367
D579,322 S *	10/2008	Newbould et al.	D8/367
2002/0121581 A1 *	9/2002	Franck et al.	248/304
2008/0173778 A1 *	7/2008	Mertens	248/301

* cited by examiner

Primary Examiner—Robert M Spear

Assistant Examiner—Barbara B Lohr

(74) *Attorney, Agent, or Firm*—Cantor Colburn LLP

(57) **CLAIM**

I claim, the ornamental design for the wall mounted hook, as shown and described.

DESCRIPTION

FIG. 1 is a perspective front view of a wall mounted hook;
FIG. 2 is a perspective rear view of the wall mounted hook;
FIG. 3 is a front view of the wall mounted hook;
FIG. 4 is a rear view of the wall mounted hook;
FIG. 5 is a first side view of the wall mounted hook, the opposite side view being a mirror image thereof;
FIG. 6 is a top view of the wall mounted hook; and,
FIG. 7 is a bottom view of the wall mounted hook.

1 Claim, 2 Drawing Sheets

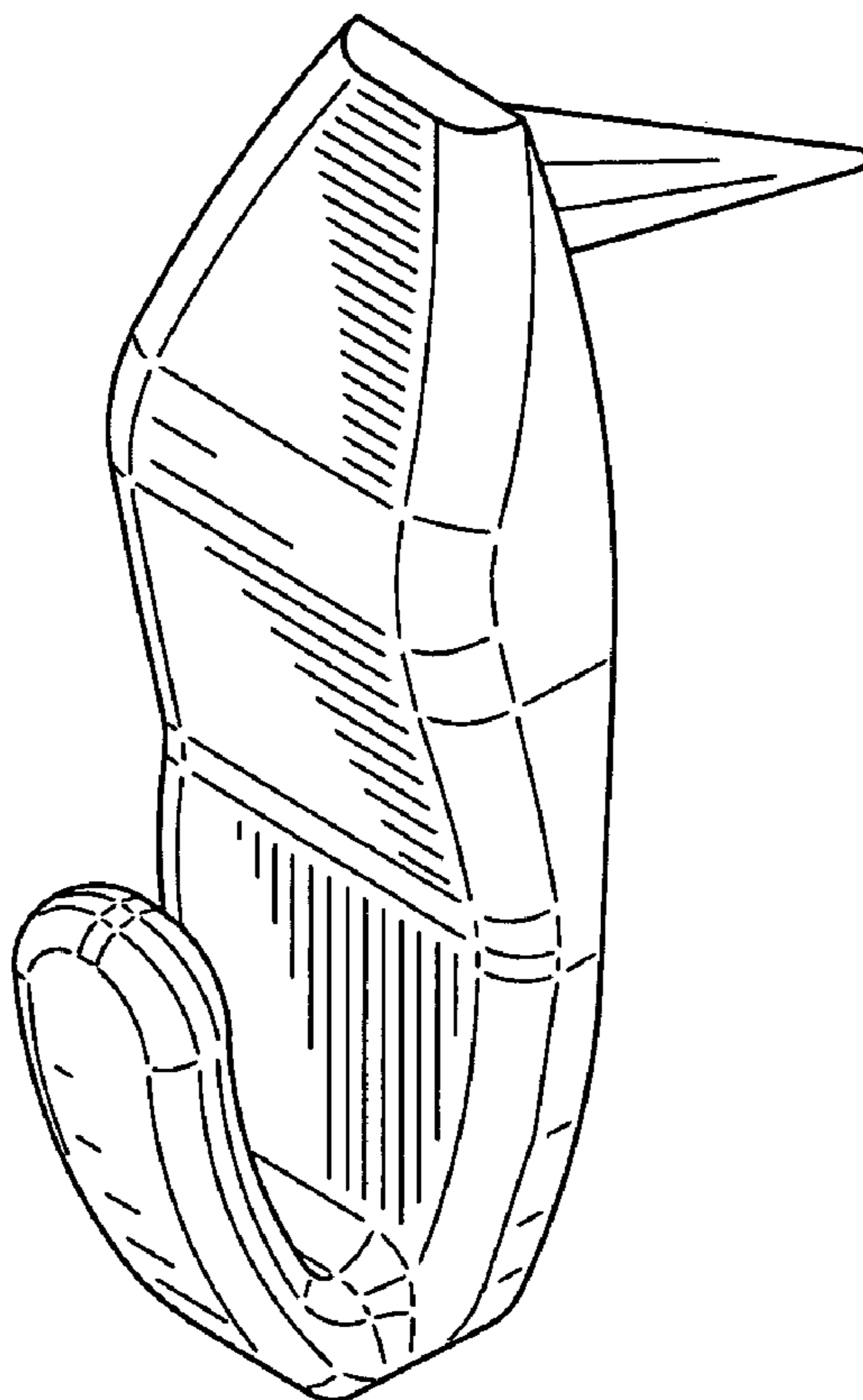


Fig. 1

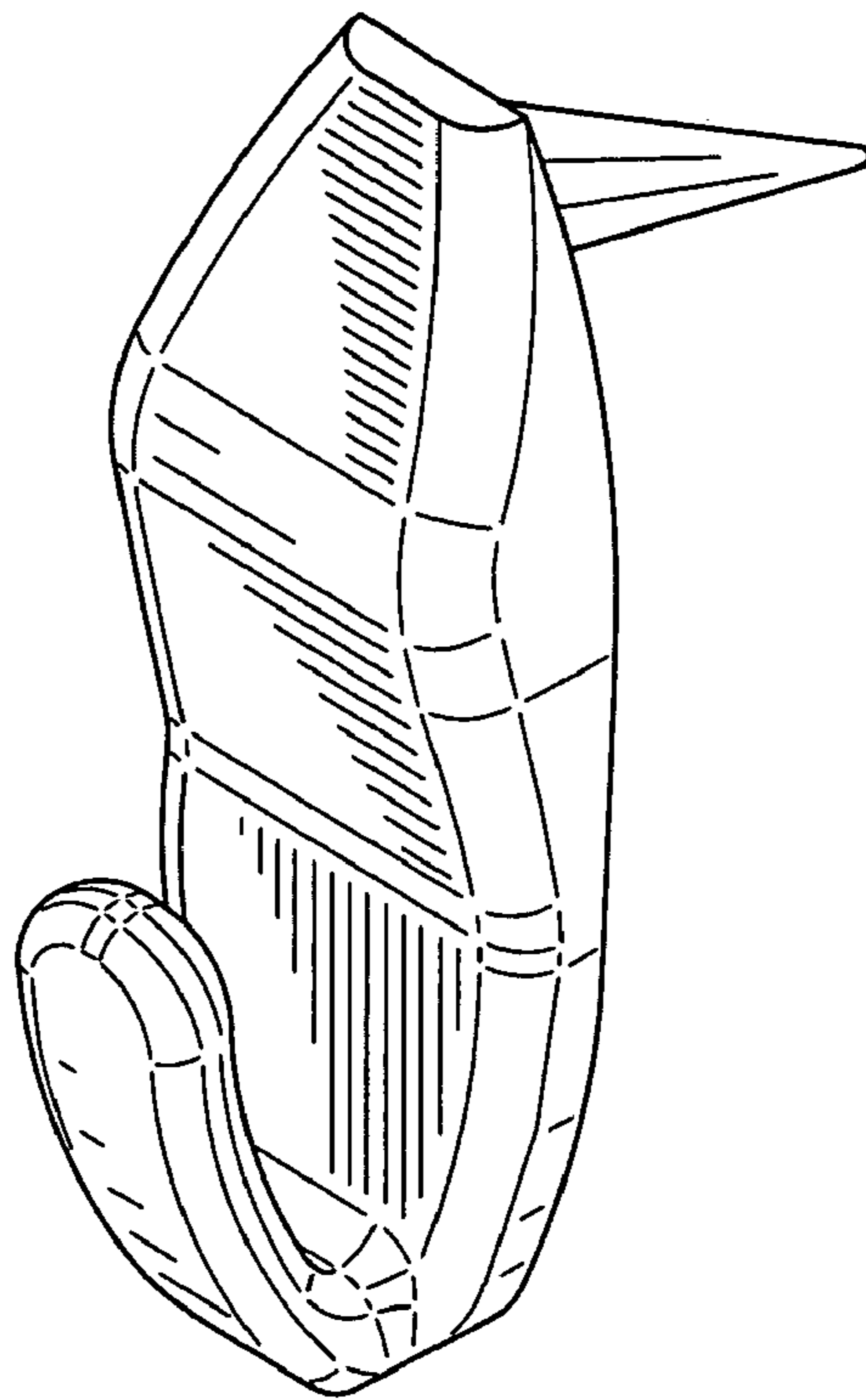
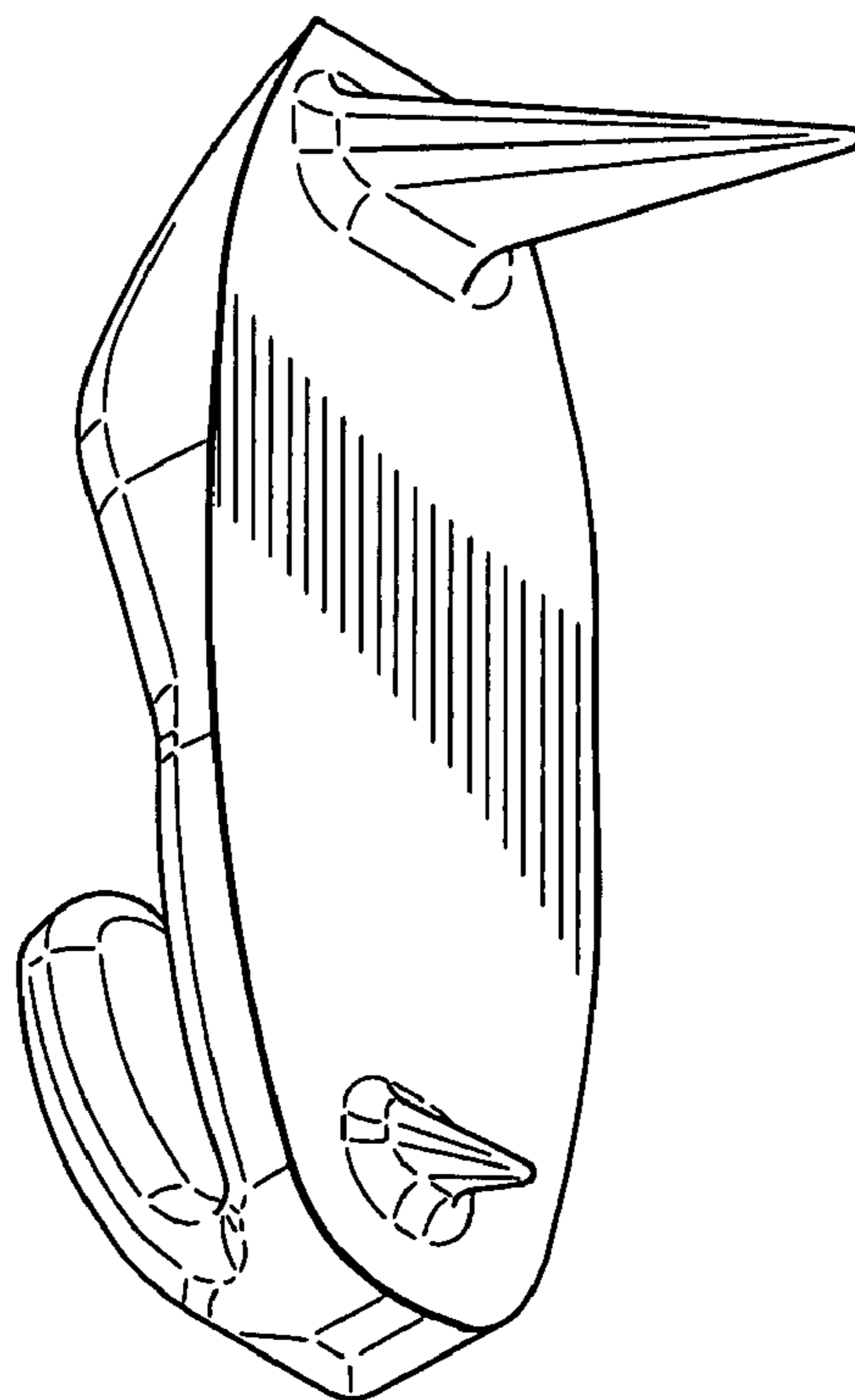


Fig. 2



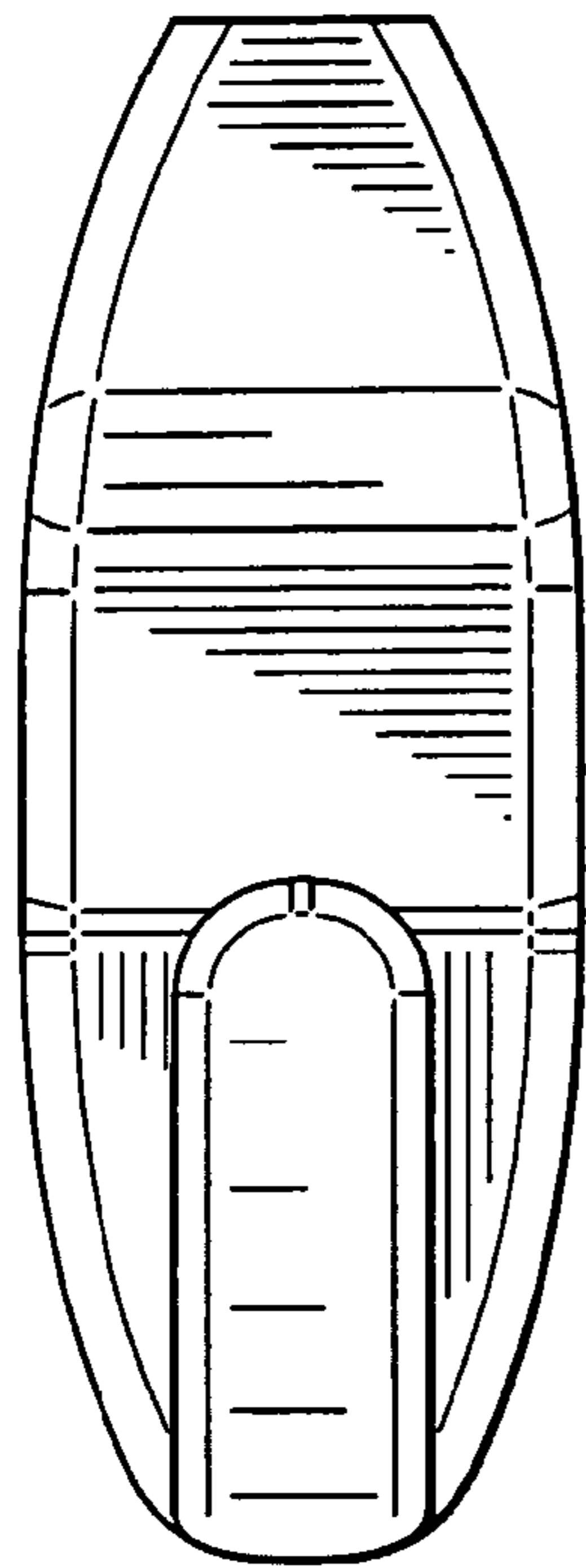


Fig. 3

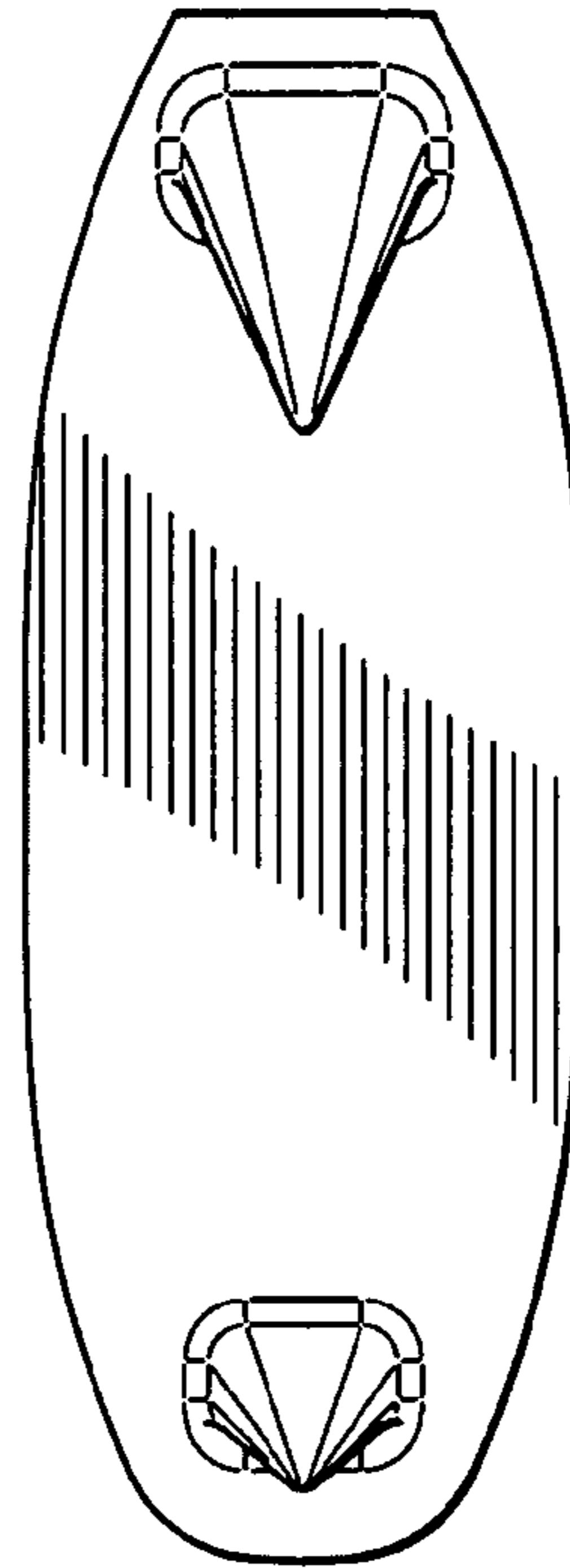


Fig. 4

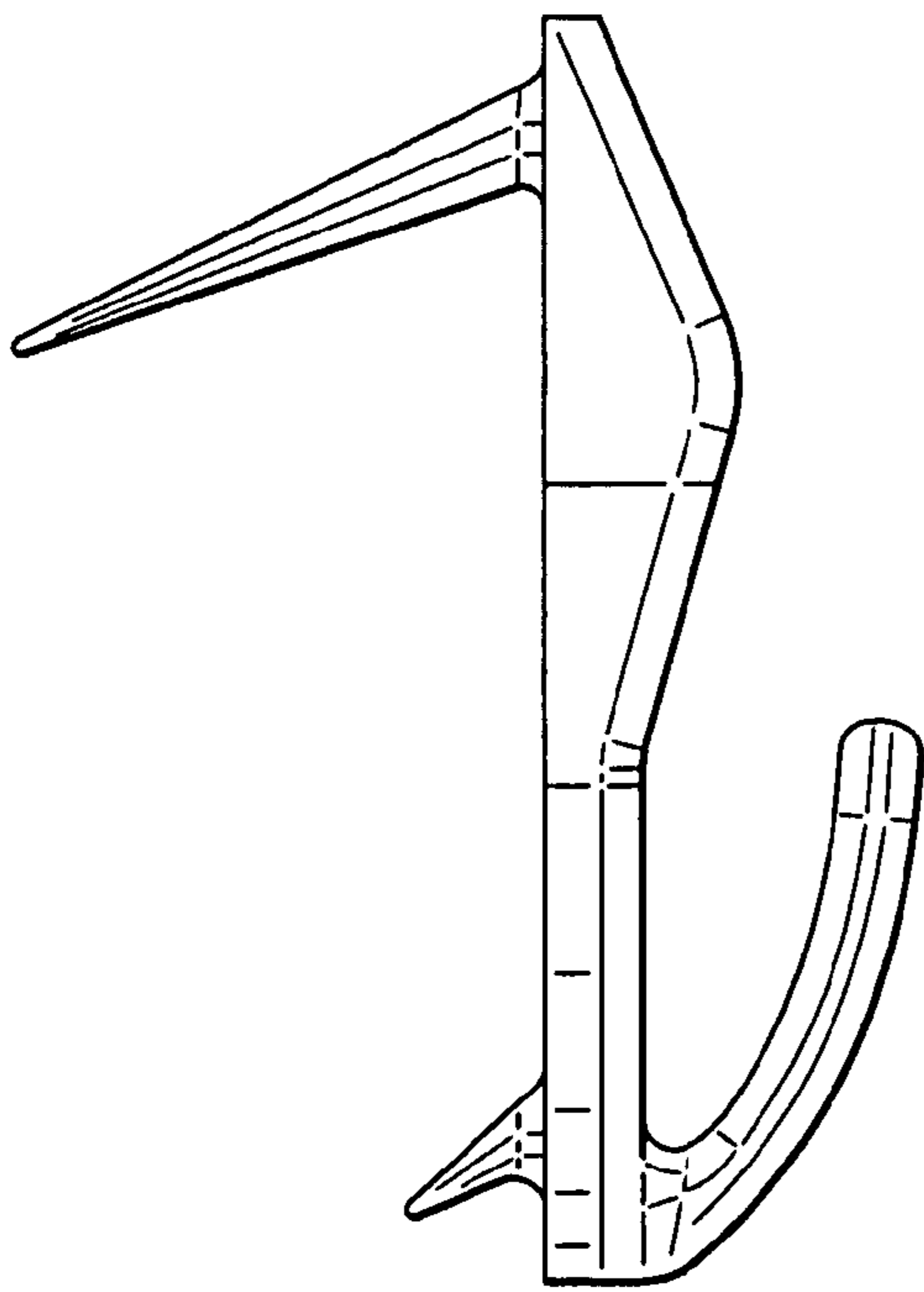


Fig. 5

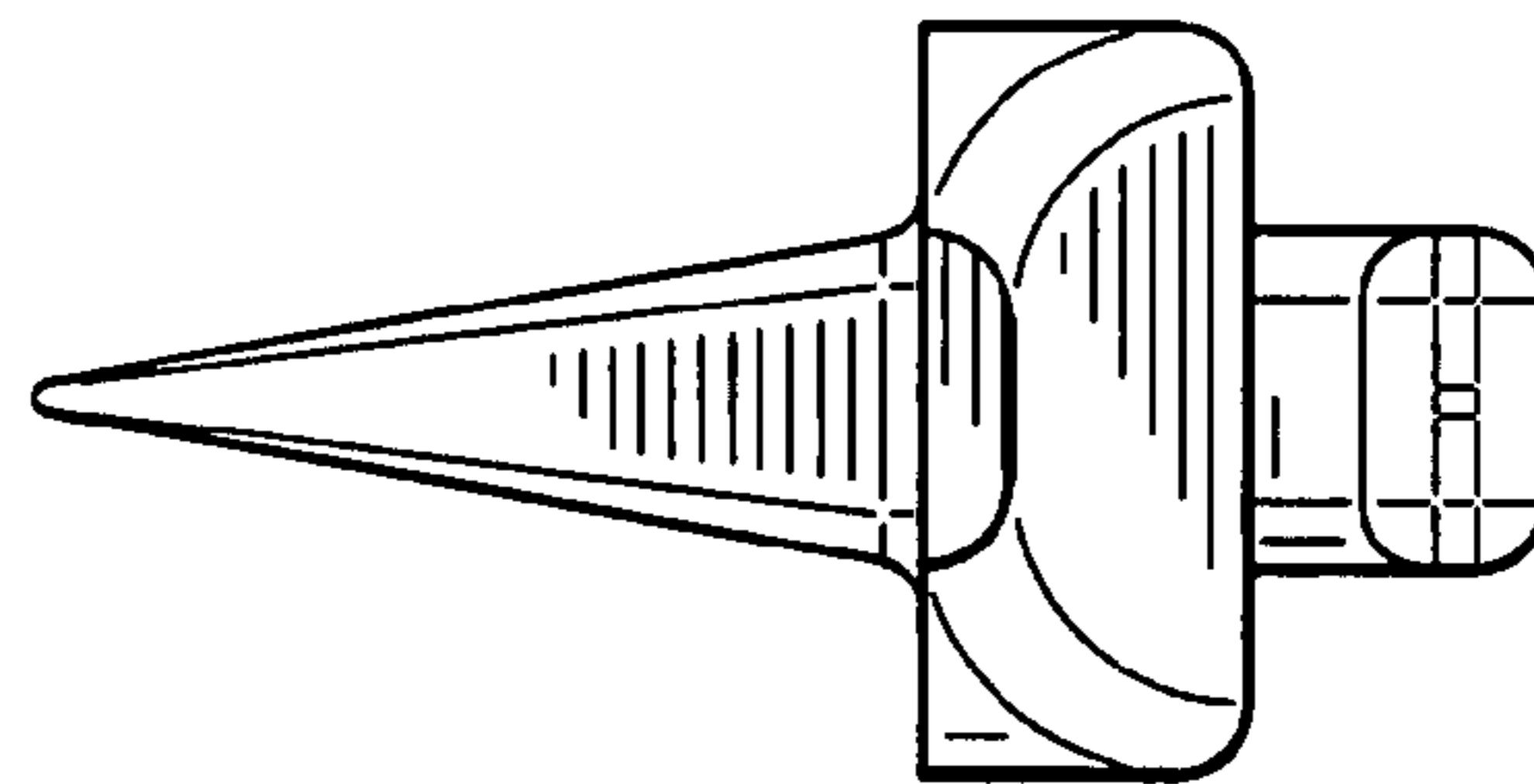


Fig. 6

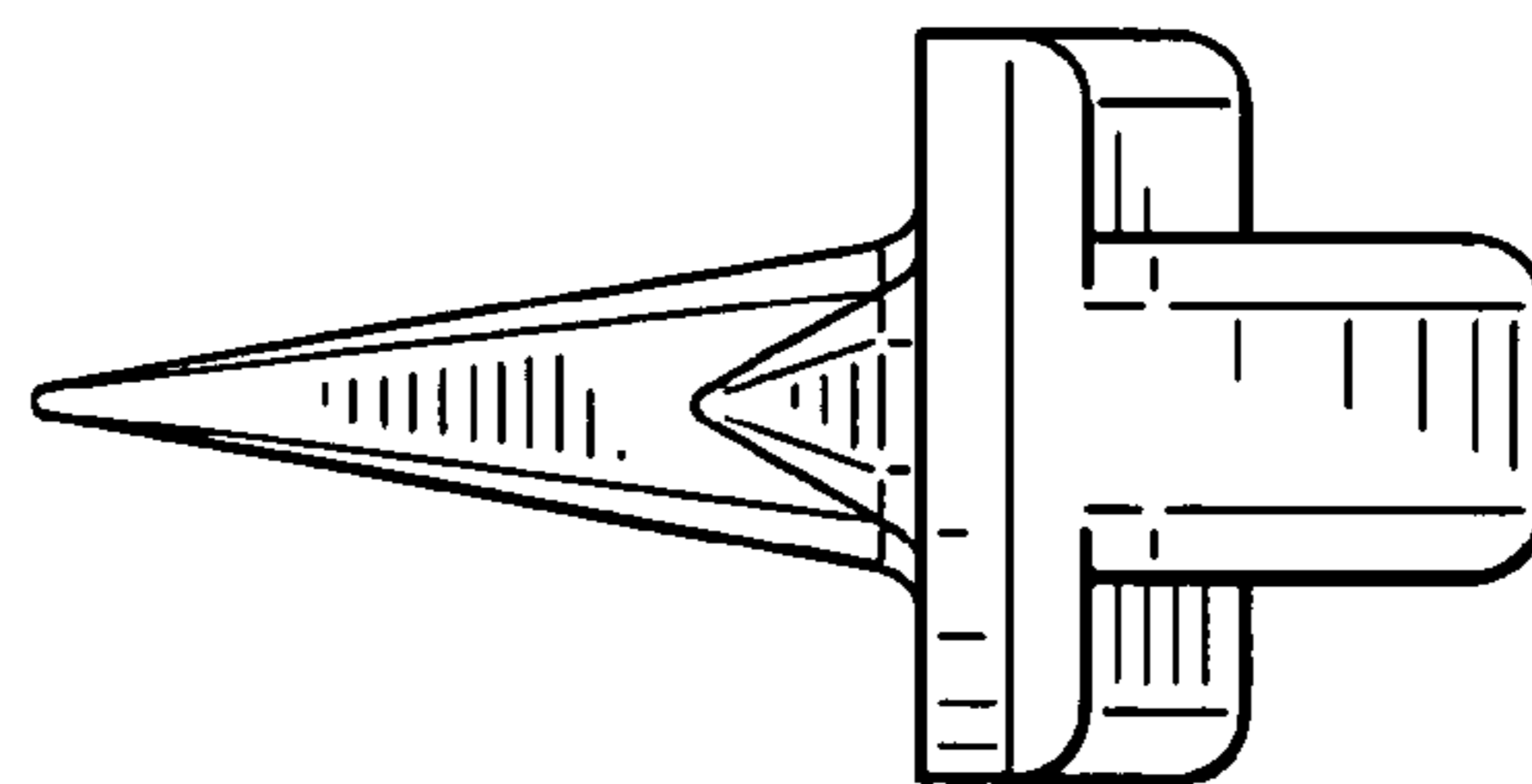


Fig. 7