



US00D596928S

(12) **United States Design Patent**
Lawrence et al.

(10) **Patent No.:** **US D596,928 S**
(45) **Date of Patent:** **** Jul. 28, 2009**

(54) **RACEWAY FOR CABLE MANAGEMENT**

(75) Inventors: **James I. Lawrence**, Georgetown, TX (US); **Andrew Ungho Pae**, Simi Valley, CA (US); **Scott Alexander Smith**, Lago Vista, TX (US)

(73) Assignee: **Chatsworth Products, Inc.**, Westlake Village, CA (US)

(**) Term: **14 Years**

(21) Appl. No.: **29/302,234**

(22) Filed: **Jan. 14, 2008**

Related U.S. Application Data

(63) Continuation-in-part of application No. 29/299,968, filed on Jan. 7, 2008.

(51) **LOC (9) Cl.** **08-05**

(52) **U.S. Cl.** **D8/356**

(58) **Field of Classification Search** D8/105,
D8/107, 333, 349, 354, 356, 358, 367, 373,
D8/382, 383, 394-396, 400; D13/155, 184;
D26/76; 24/18, 197, 561; 174/68.3, 101,
174/153 G, 650, 656; 242/400.1, 405.1,
242/405.2, 600, 603; 248/65, 74.1-74.4,
248/201, 214, 215, 229.26, 302, 304, 316.7,
248/316.8; 439/131, 135, 142, 367, 369,
439/371, 472, 501, 535

See application file for complete search history.

(56) **References Cited**

U.S. PATENT DOCUMENTS

D171,224 S * 12/1953 Pfaff, Jr. D8/356
2,921,607 A * 1/1960 Caveney 138/106
3,403,220 A * 9/1968 Riedel et al. 174/101
3,705,949 A * 12/1972 Weiss 174/101
4,398,564 A * 8/1983 Young et al. 138/92
4,484,020 A * 11/1984 Loof et al. 174/68.3
5,023,404 A * 6/1991 Hudson et al. 174/97
5,024,251 A * 6/1991 Chapman
D318,793 S * 8/1991 Sutton D8/395

5,086,195 A * 2/1992 Claisse 174/101
D331,006 S 11/1992 Dziedzic
5,235,136 A * 8/1993 Santucci et al. 174/68.3
D348,469 S 7/1994 Johnson et al.
5,326,934 A * 7/1994 LeMaster et al. 174/59
D353,277 S * 12/1994 Irvin D6/410
D355,788 S 2/1995 Irvin
5,602,364 A * 2/1997 Ustin 174/68.3
5,709,249 A * 1/1998 Okada et al. 138/162
D395,816 S * 7/1998 Colodny D8/356
D401,497 S * 11/1998 Terrell D8/356
5,831,216 A * 11/1998 Hoffmann 174/135

(Continued)

FOREIGN PATENT DOCUMENTS

GB EC-000554316-0001 * 7/2006

Primary Examiner—T. Chase Nelson

Assistant Examiner—Karen Acker

(74) *Attorney, Agent, or Firm*—Tillman Wright, PLLC;
James D. Wright; Chad D. Tillman

(57) **CLAIM**

The ornamental design for a raceway for cable management, as shown and described.

DESCRIPTION

FIG. 1 is an isometric view of the design for a raceway for cable management in accordance with a preferred embodiment of the present invention;

FIG. 2 is a top view of the raceway for cable management of FIG. 1;

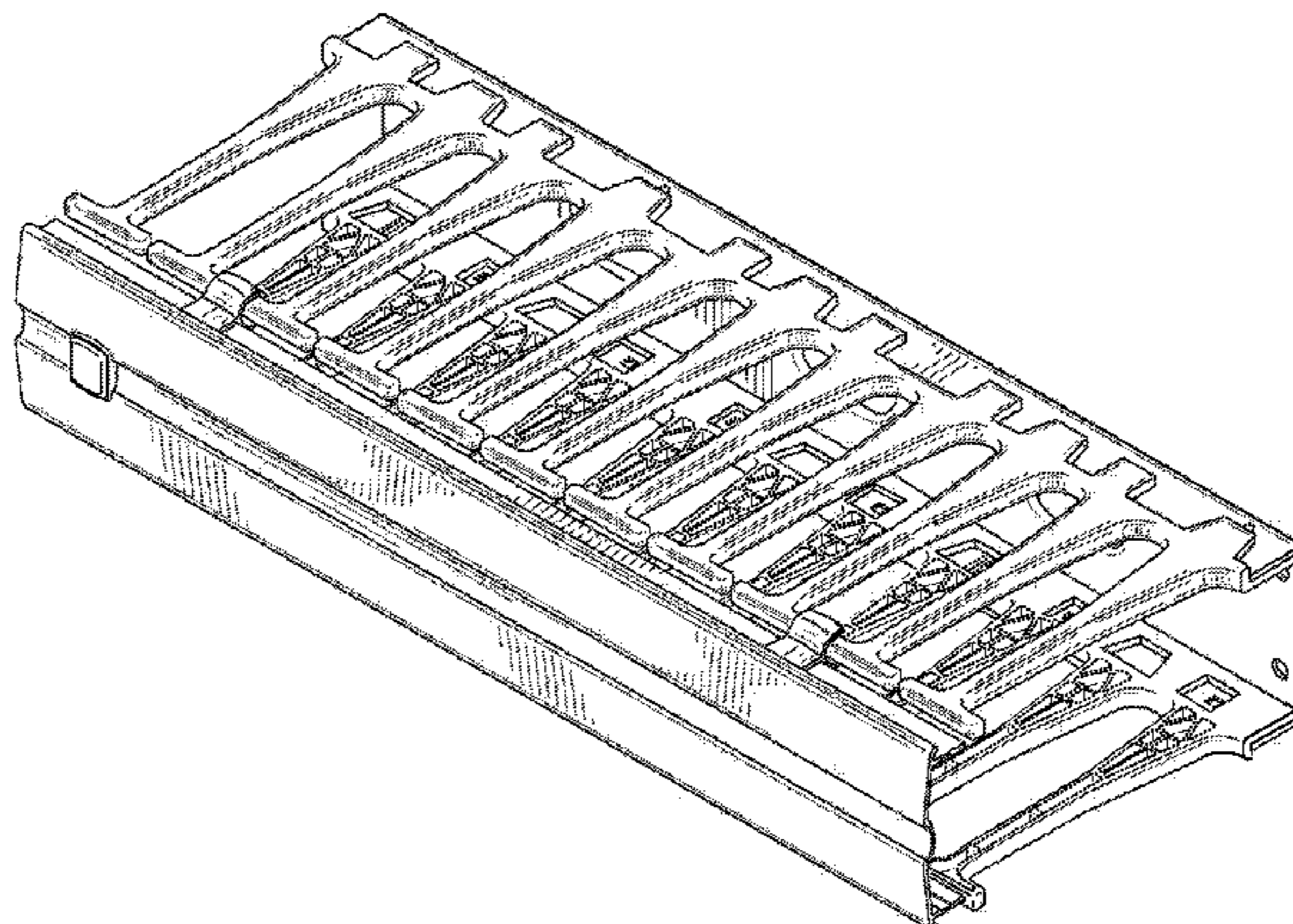
FIG. 3 is a bottom view of the raceway for cable management of FIG. 1;

FIG. 4 is a side view of the raceway for cable management of FIG. 1; and,

FIG. 5 is a rear view of the raceway for cable management of FIG. 1.

Portions of the design shown in broken lines form no part of the claimed design.

1 Claim, 3 Drawing Sheets



US D596,928 S

Page 2

U.S. PATENT DOCUMENTS

D402,639	S	12/1998	Baxter et al.						
5,902,961	A *	5/1999	Viklund et al.	174/100	7,041,912	B2 *	5/2006	Kadrnoska et al.	174/154
D418,927	S	1/2000	Levesque		7,060,893	B1 *	6/2006	Villi	174/507
D424,915	S	5/2000	Takase et al.		D530,038	S	10/2006	Kotovskiy	
6,107,575	A *	8/2000	Miranda	174/101	7,119,282	B2 *	10/2006	Krietzman et al.	174/101
6,107,576	A *	8/2000	Morton et al.	174/101	7,178,679	B2 *	2/2007	Canty et al.	211/26
6,215,069	B1 *	4/2001	Martin et al.	174/68.3	7,225,586	B2	6/2007	Levesque et al.	
6,294,736	B1 *	9/2001	Takeda et al.	174/72 A	D555,641	S	11/2007	Levesque et al.	
6,398,149	B1	6/2002	Hines et al.		D560,474	S *	1/2008	Thru	D8/382
6,437,243	B1 *	8/2002	VanderVelde et al.	174/68.3	7,378,046	B2	5/2008	Canty et al.	
6,437,244	B1 *	8/2002	Vander Velde	174/68.3	D574,542	S	8/2008	Engel	
6,489,565	B1 *	12/2002	Krietzman et al.	174/101	7,408,121	B2	8/2008	Halliday et al.	
6,605,782	B1 *	8/2003	Krietzman et al.	174/101	7,417,188	B2 *	8/2008	McNutt et al.	174/68.1
6,944,383	B1	9/2005	Herzog et al.		2002/0197045	A1 *	12/2002	Schmidt et al.	385/134
6,946,605	B2	9/2005	Levesque et al.		2005/0103517	A1 *	5/2005	Canepa	174/68.3
6,968,647	B2	11/2005	Levesque et al.		2005/0115152	A1	6/2005	Levesque et al.	
7,000,784	B2 *	2/2006	Canty et al.	211/26	2006/0054336	A1	3/2006	McNutt et al.	
7,019,213	B1 *	3/2006	McNutt et al.	174/68.1	2006/0059802	A1 *	3/2006	McNutt et al.	52/220.7
7,026,553	B2	4/2006	Levesque et al.		2006/0091086	A1 *	5/2006	Canty et al.	211/26
7,041,898	B2 *	5/2006	Stempinski et al.	174/488	2008/0156946	A1	7/2008	Schmutzer	
					2008/0174217	A1	7/2008	Walker	
					2008/0180004	A1	7/2008	Martich et al.	

* cited by examiner

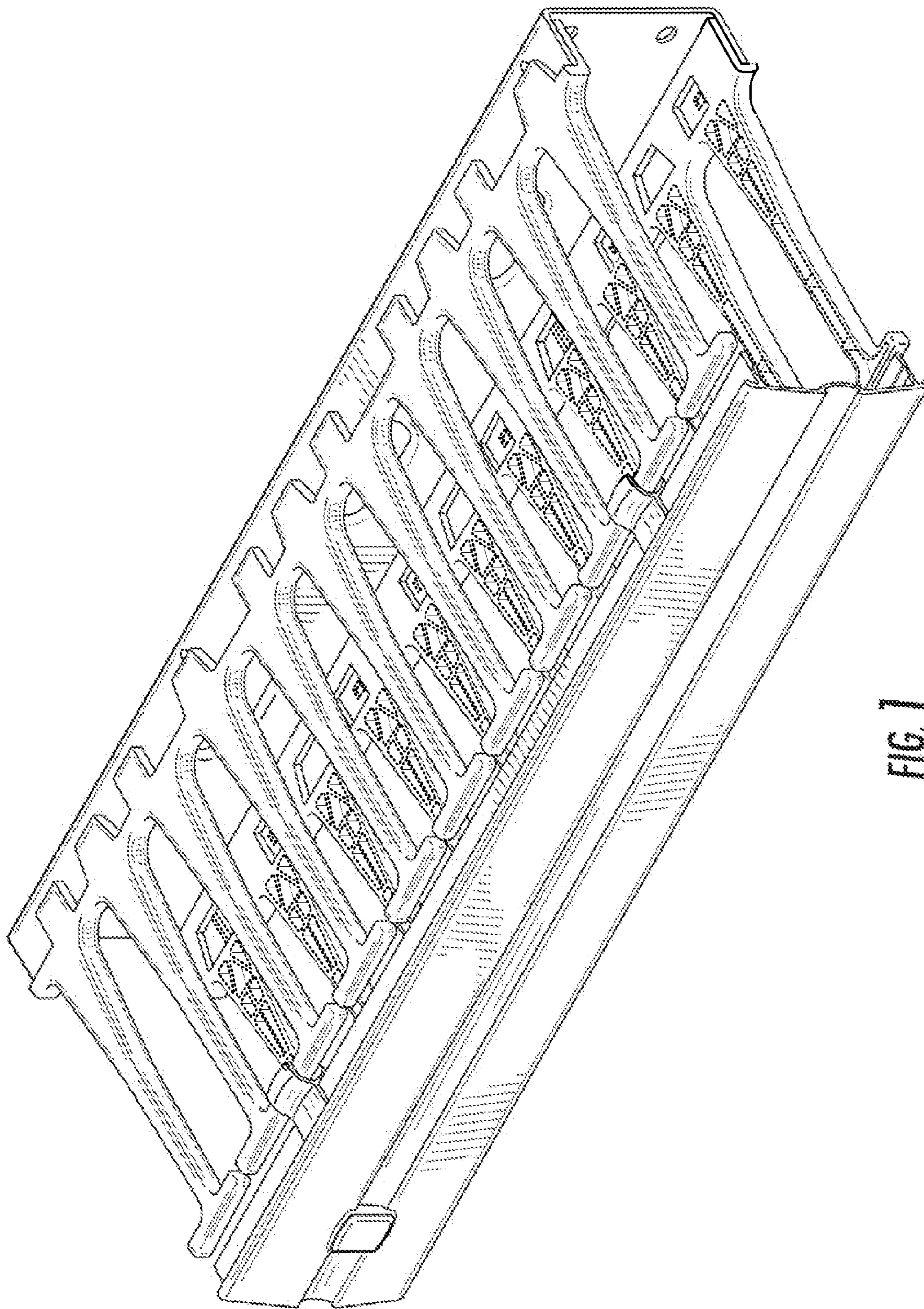


FIG. 1

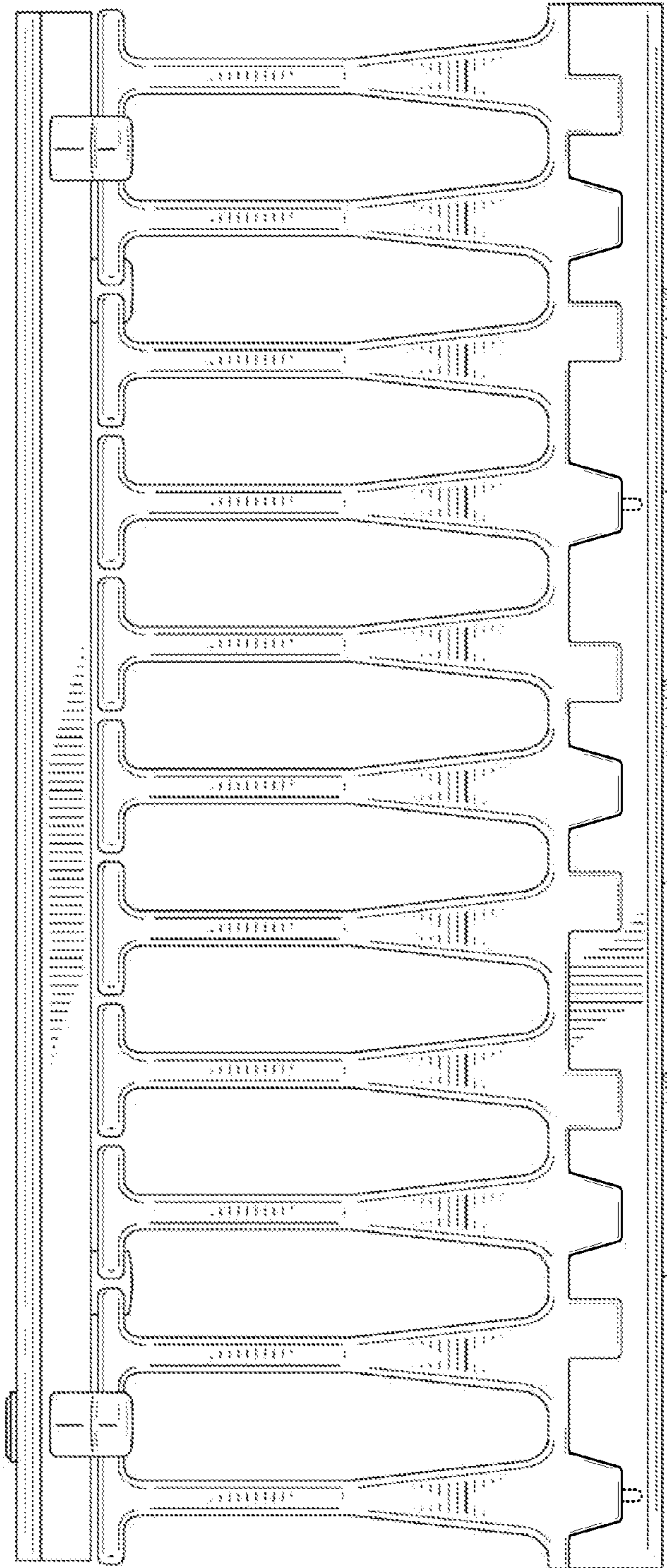


FIG. 2

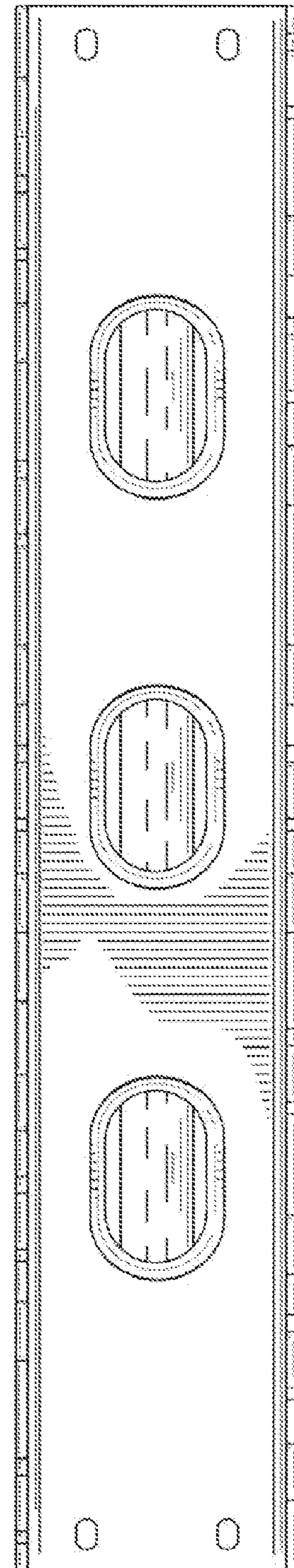


FIG. 5

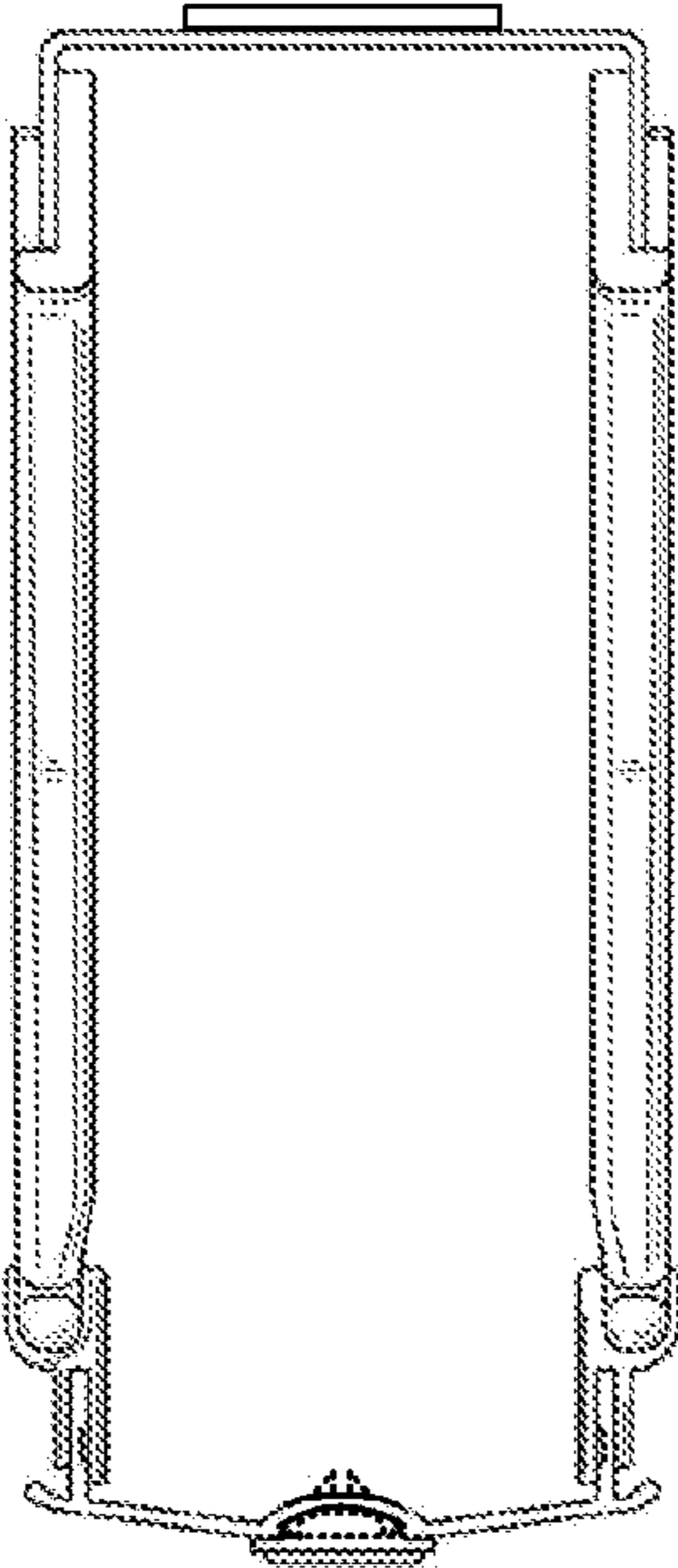


FIG. 4

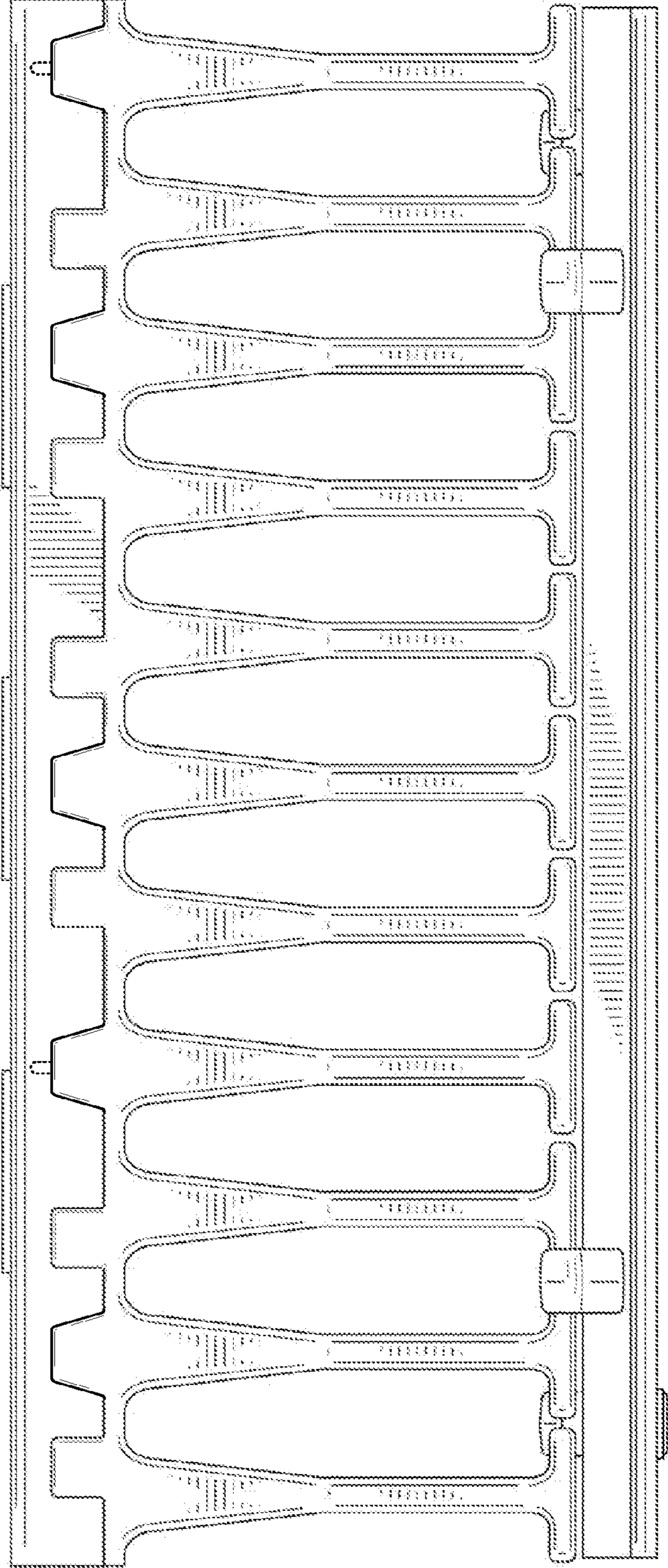


FIG. 3