



US00D596926S

(12) **United States Design Patent**  
**Venkateraman et al.**

(10) **Patent No.:** **US D596,926 S**  
(45) **Date of Patent:** **\*\* Jul. 28, 2009**

(54) **STANDARD HOLDER AND STANDARD FOR INSITU TURBIDITY MEASUREMENT DEVICE**

*Primary Examiner*—Holly H Baynham  
(74) *Attorney, Agent, or Firm*—The Ollila Law Group LLC

(75) Inventors: **Gangaikondan Ramasubiramanian Venkateraman**, Fort Collins, CO (US);  
**Perry A Palumbo**, Fort Collins, CO (US)

(57) **CLAIM**

The ornamental design for a standard holder and standard for insitu turbidity measurement device, as shown and described.

(73) Assignee: **Hach Company**, Loveland, CO (US)

**DESCRIPTION**

(\*\*) Term: **14 Years**

FIG. 1 is a front perspective view of our design.  
FIG. 2 is an elevation view showing the front side of our design.

(21) Appl. No.: **29/318,511**

FIG. 3 is an elevation view showing the rear side of our design.

(22) Filed: **May 21, 2008**

FIG. 4 is an elevation view showing the right side of our design.

(51) **LOC (9) Cl.** ..... **08-05**

(52) **U.S. Cl.** ..... **D8/354**

(58) **Field of Classification Search** ..... D8/349,  
D8/354; 248/200, 300, 553

FIG. 5 is an elevation view showing the left side of our design.

See application file for complete search history.

FIG. 6 is a plan view showing the top side of our design.

(56) **References Cited**

**U.S. PATENT DOCUMENTS**

|                |         |              |       |        |
|----------------|---------|--------------|-------|--------|
| D334,314 S *   | 3/1993  | Milton       | ..... | D6/495 |
| D420,890 S *   | 2/2000  | Kuhnke       | ..... | D8/354 |
| D452,424 S *   | 12/2001 | Simpson, Sr. | ..... | D8/107 |
| 6,616,369 B2 * | 9/2003  | Clark        | ..... | 404/10 |

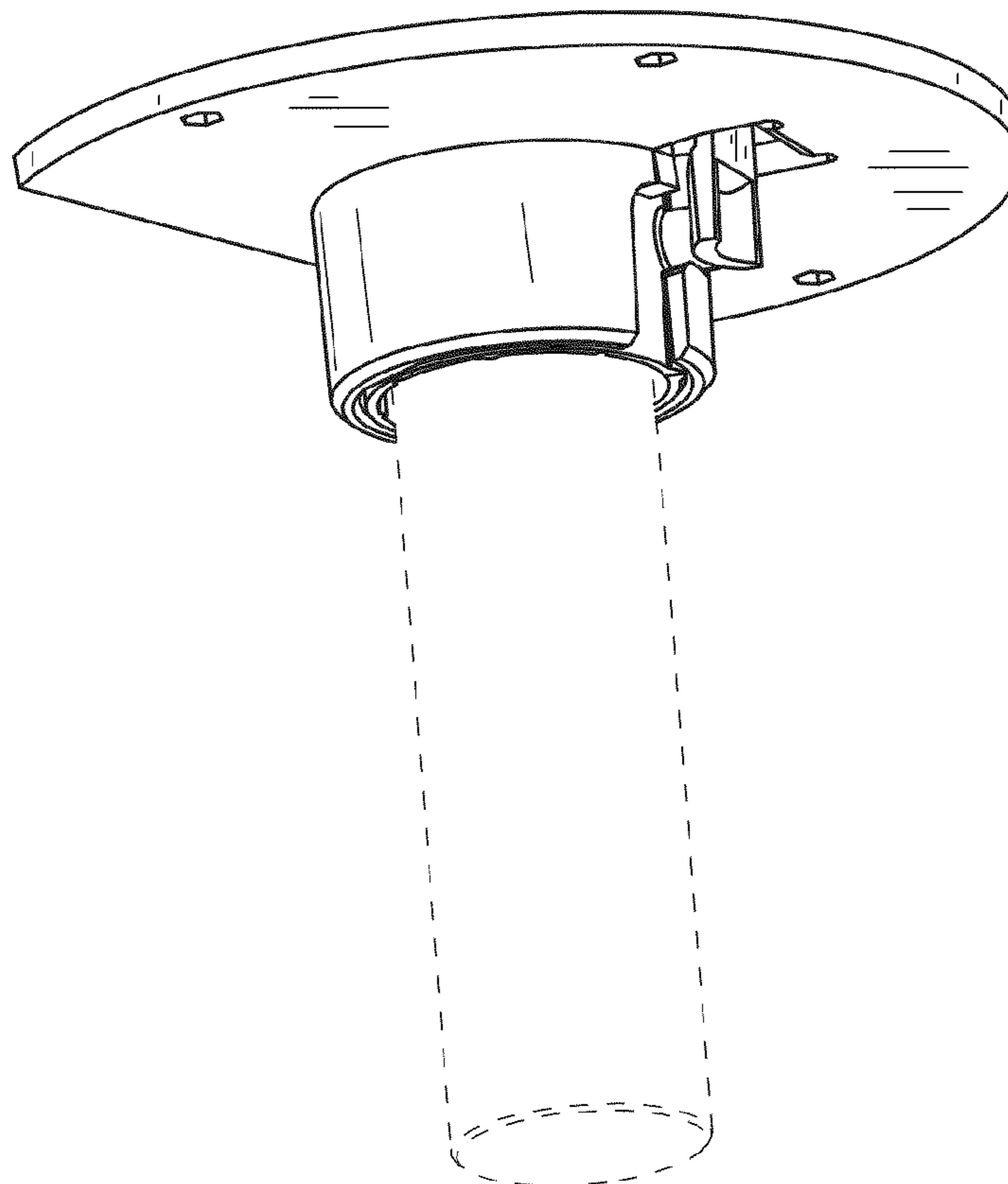
FIG. 7 is a plan view showing the bottom side of our design; and,

FIG. 8 is an exploded perspective view showing the components of our design.

The broken lines showing an attached component is included for the purpose of illustrating use and environment and form no part of the claimed design.

\* cited by examiner

**1 Claim, 5 Drawing Sheets**



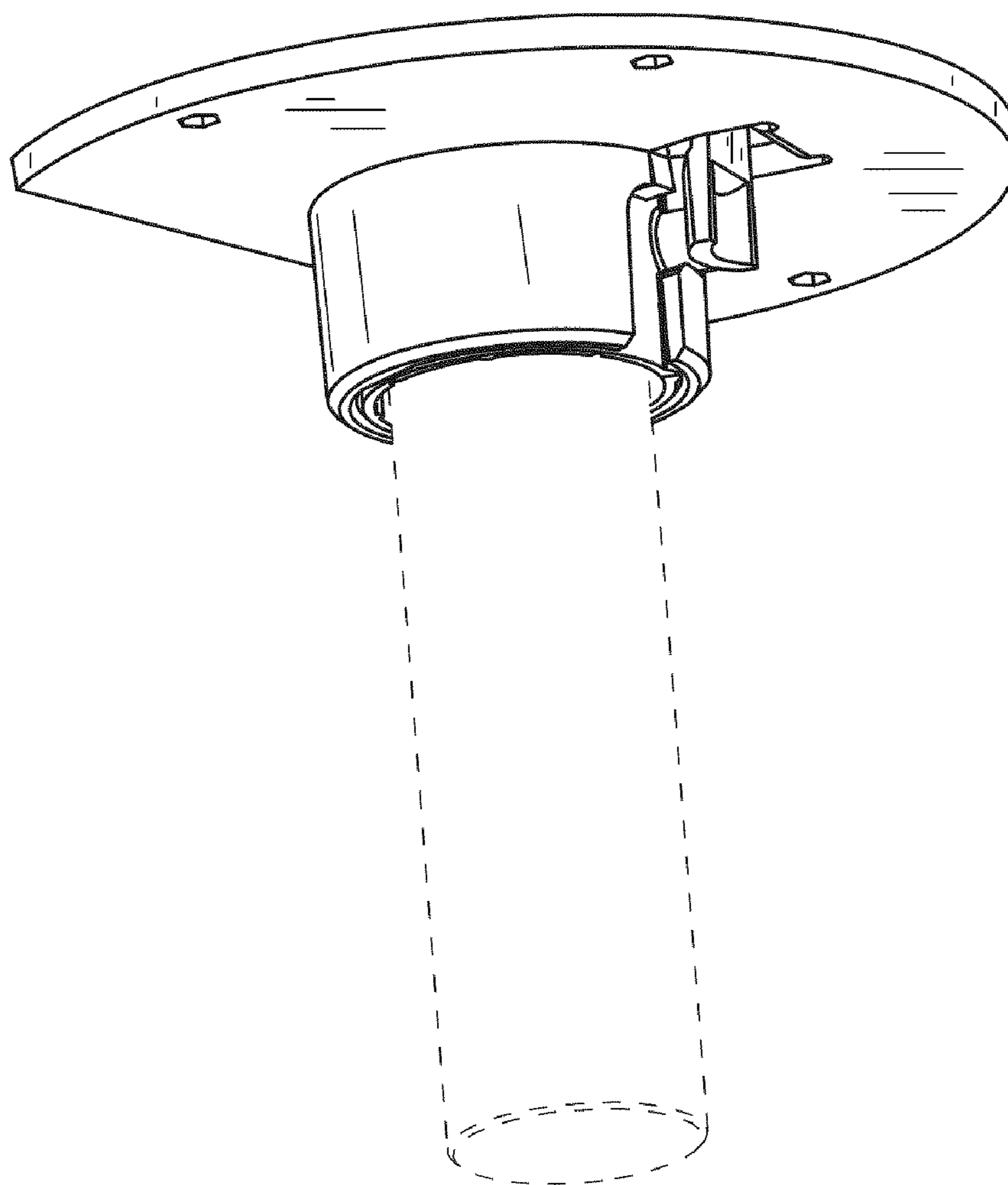
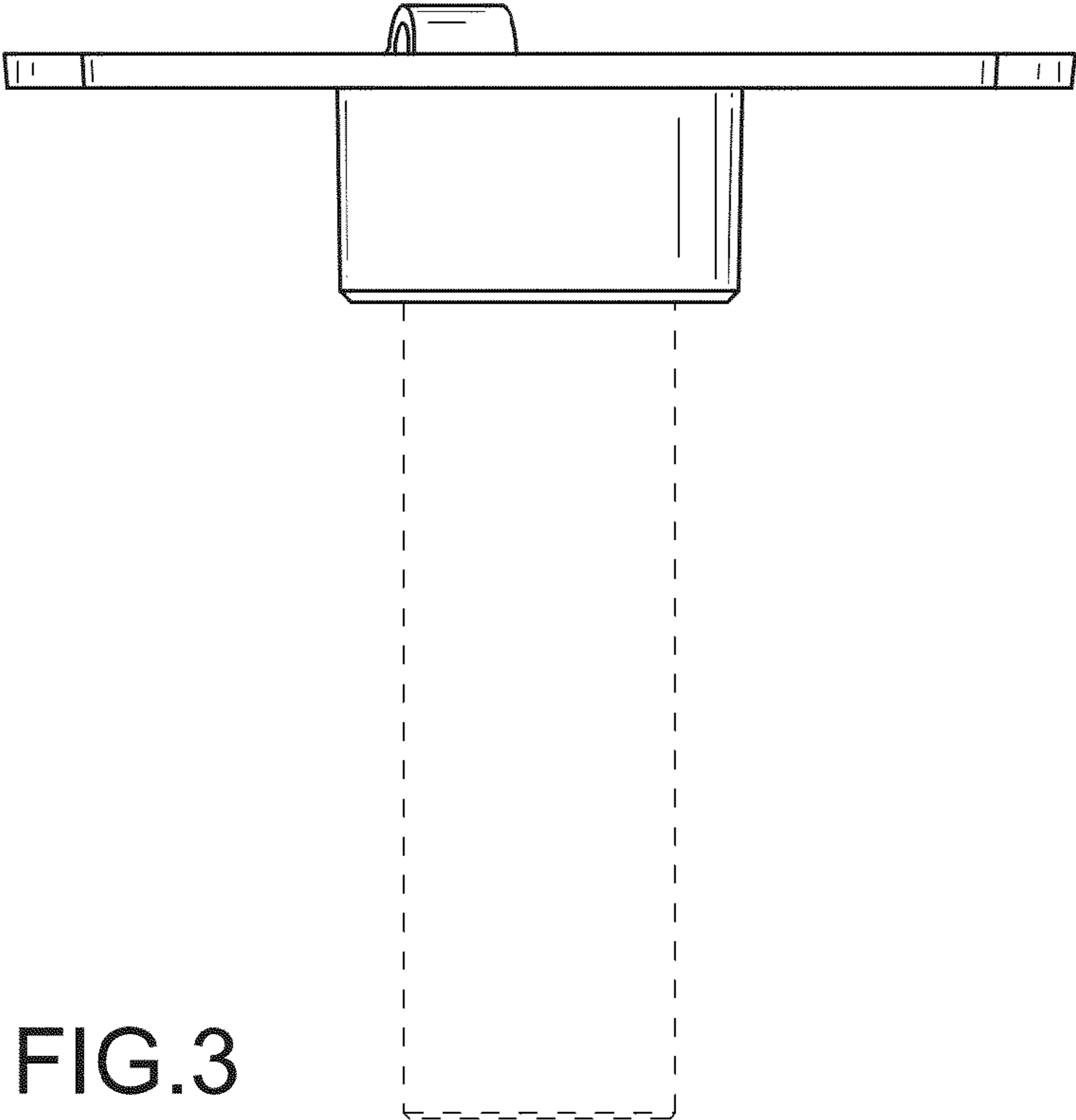
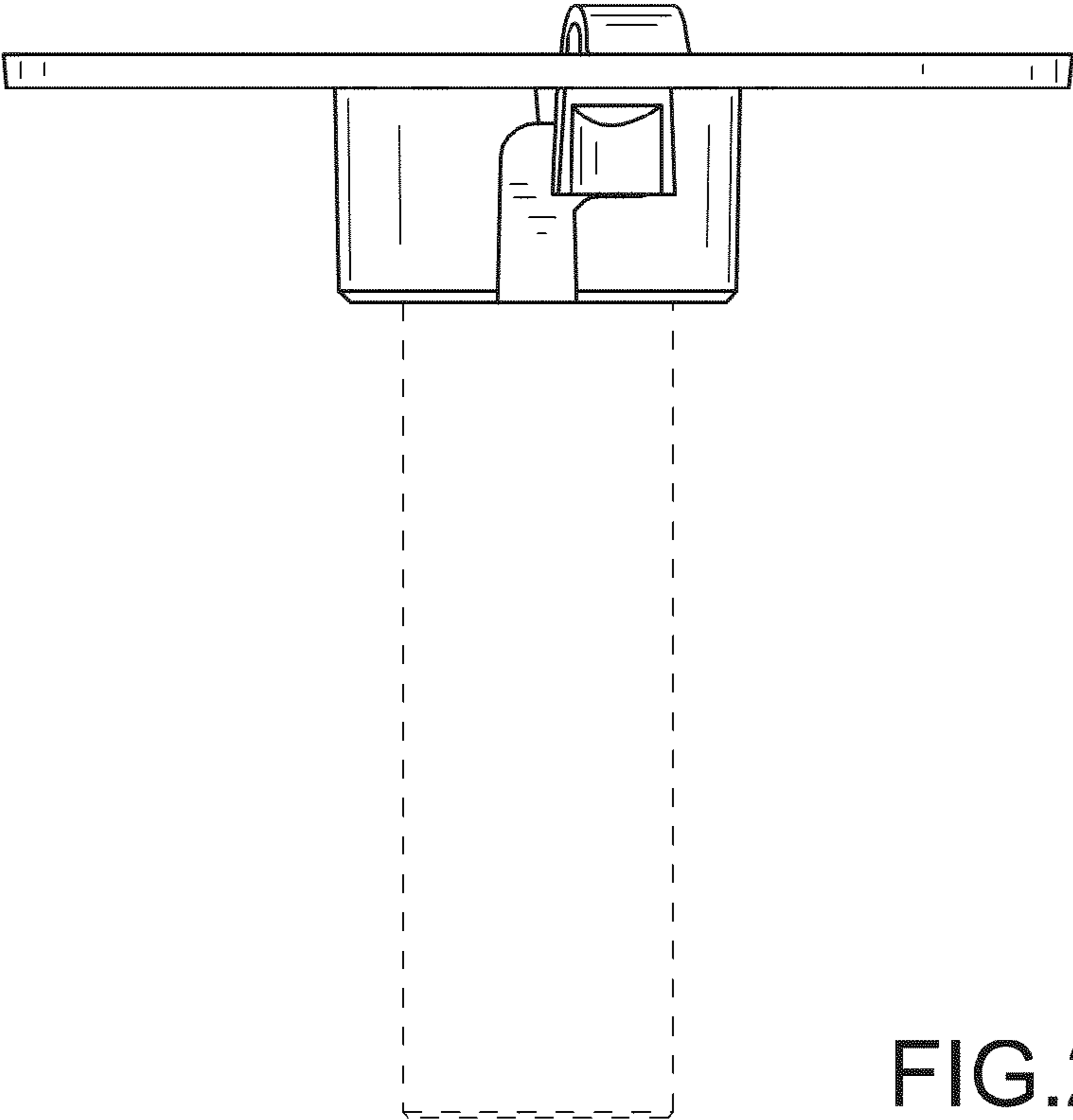


FIG.1



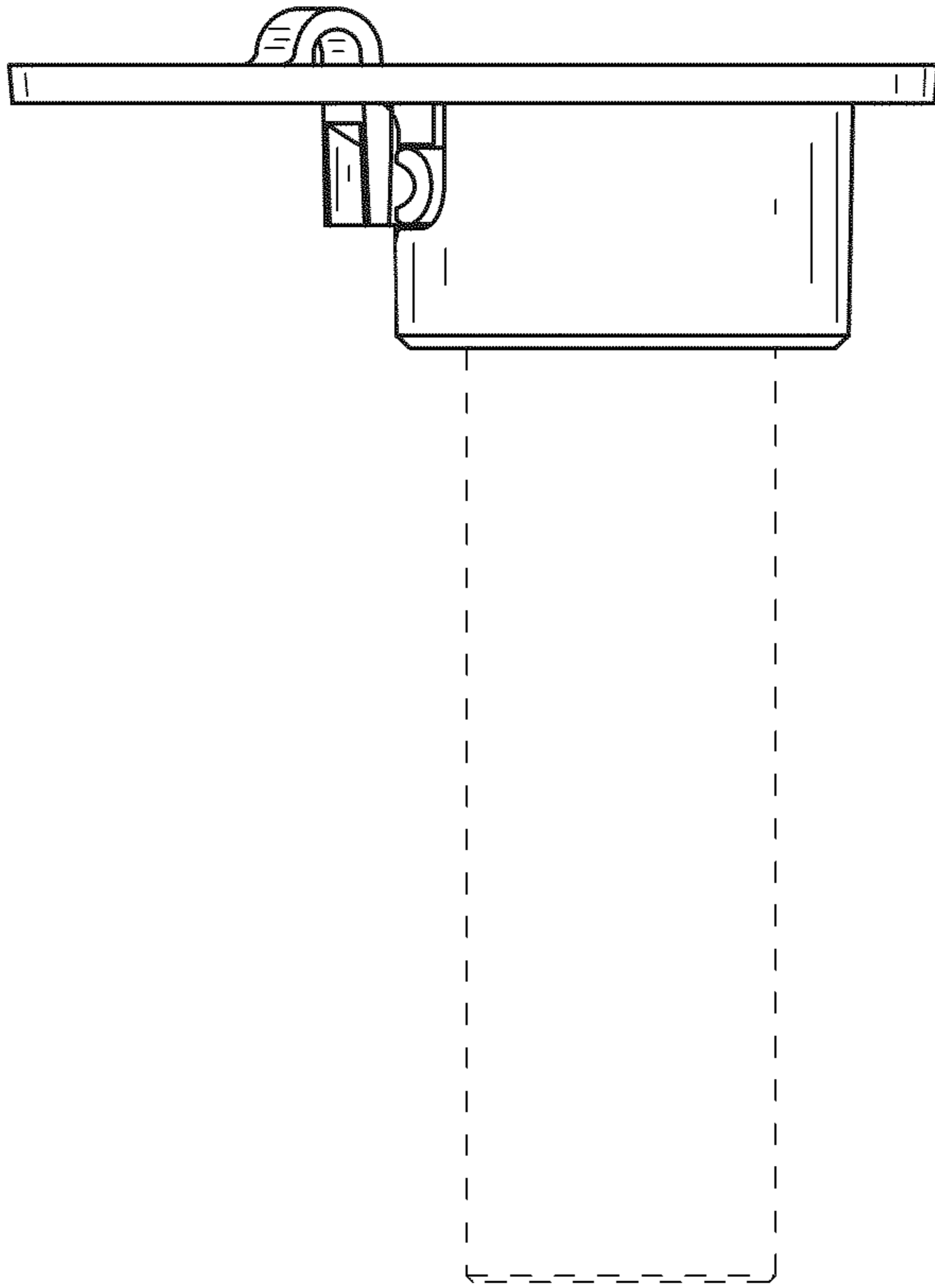


FIG. 4

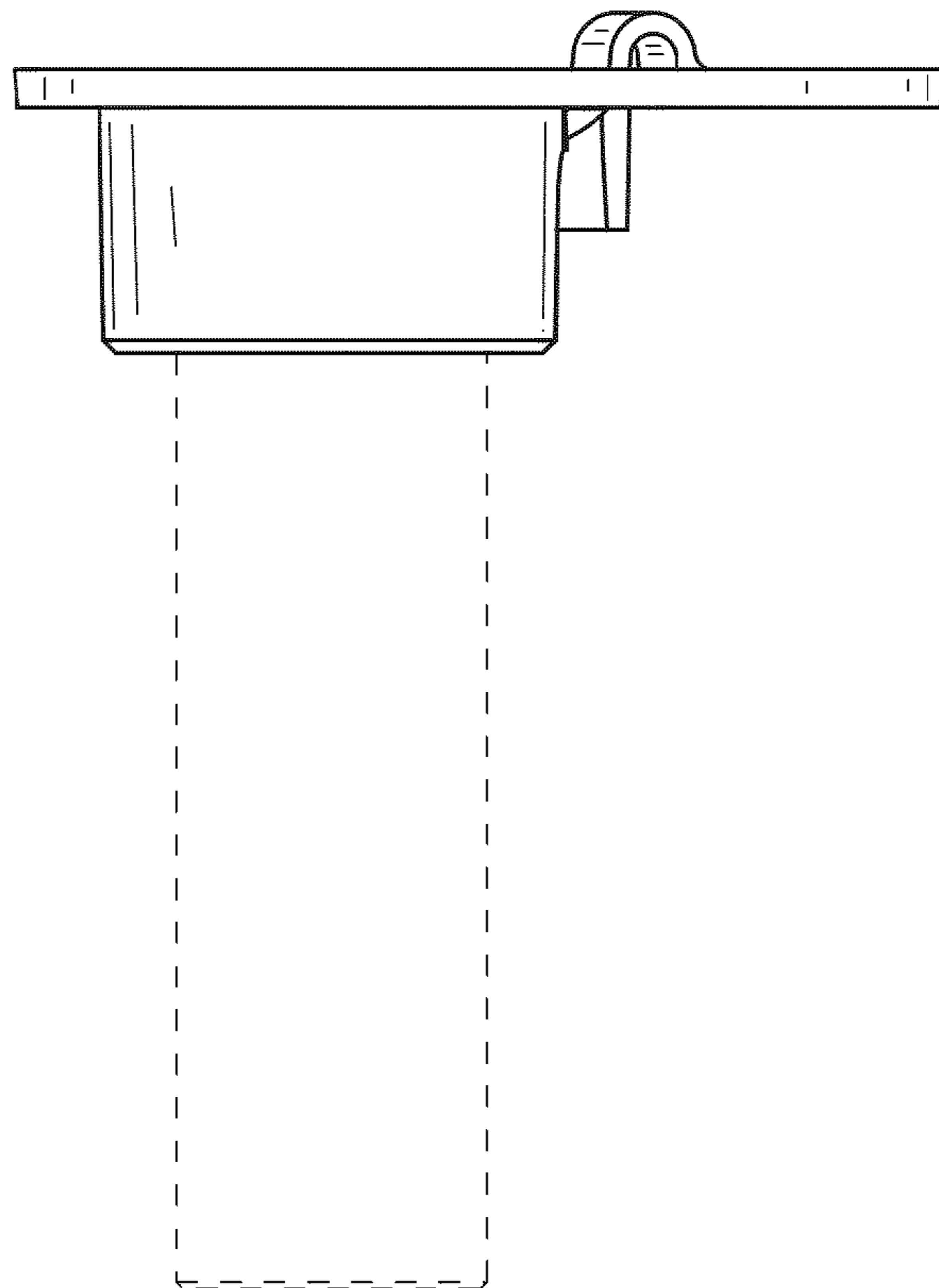


FIG. 5

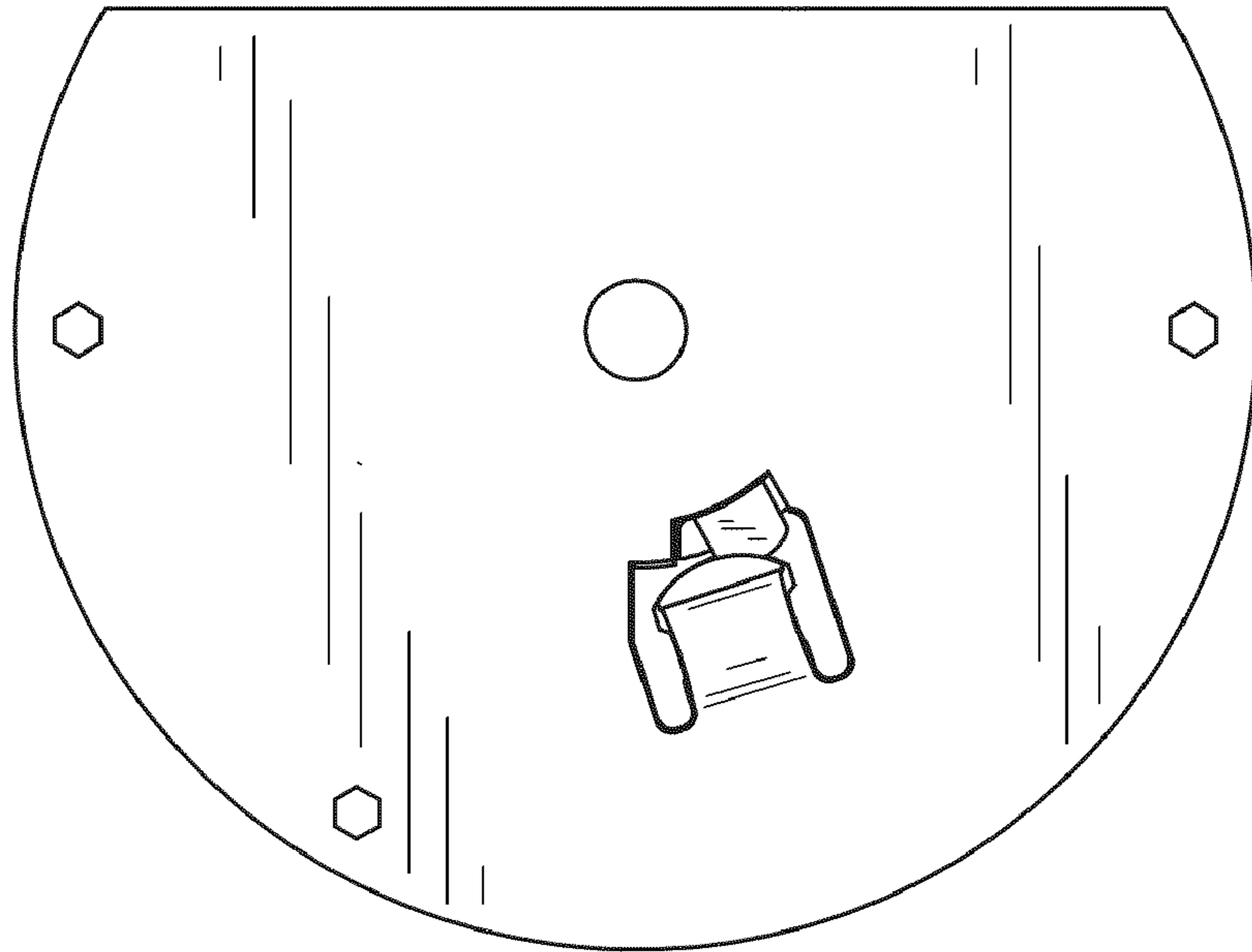


FIG. 6

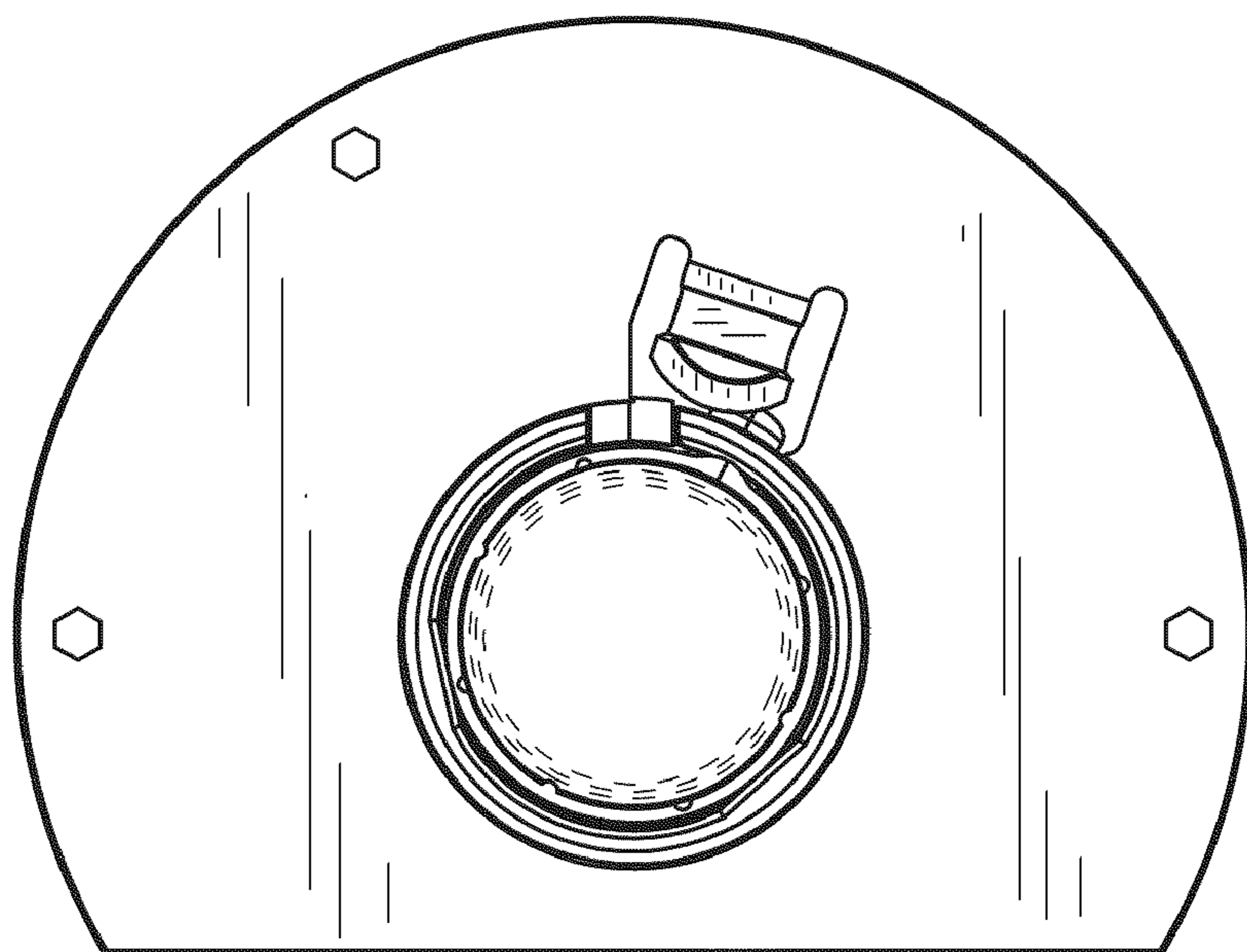


FIG. 7

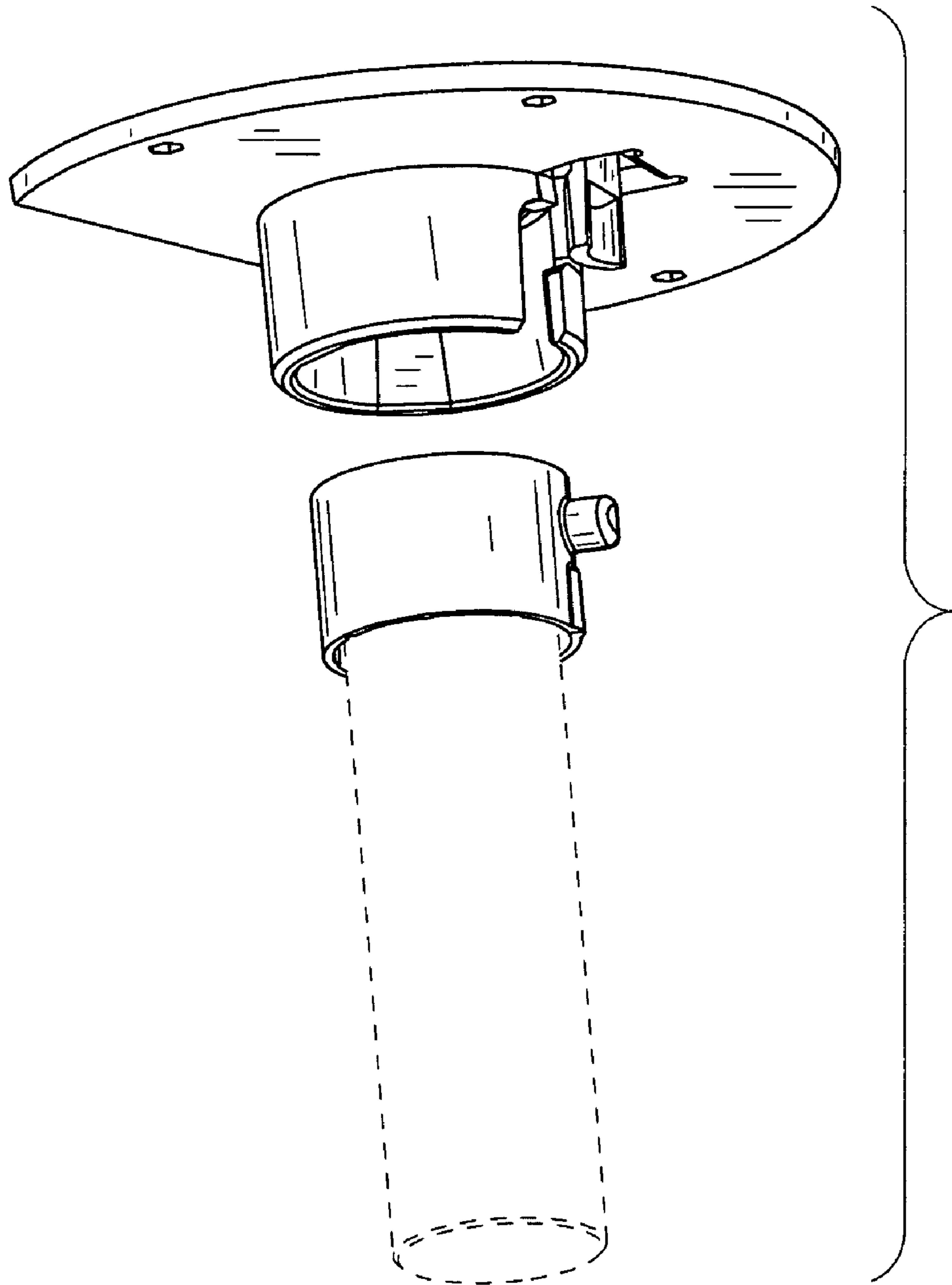


FIG.8