



US00D596925S

(12) **United States Design Patent**
Kidman

(10) **Patent No.:** **US D596,925 S**

(45) **Date of Patent:** **** *Jul. 28, 2009**

(54) **DOUBLE SWITCH COVER PLATE**

(75) Inventor: **Brent L. Kidman**, Spanish Fork, UT (US)

(73) Assignee: **Cheetah USA Corp.**, Sandy, UT (US)

(*) Notice: This patent is subject to a terminal disclaimer.

(**) Term: **14 Years**

(21) Appl. No.: **29/280,685**

(22) Filed: **Jun. 4, 2007**

Related U.S. Application Data

(63) Continuation-in-part of application No. 11/328,650, filed on Jan. 10, 2006, now Pat. No. 7,284,996, and a continuation-in-part of application No. 11/542,746, filed on Oct. 4, 2006, which is a continuation of application No. 10/435,716, filed on May 8, 2003, now Pat. No. 7,118,413, which is a continuation of application No. 09/974,306, filed on Oct. 10, 2001, now Pat. No. 6,609,927.

(51) **LOC (9) Cl.** **11-05**

(52) **U.S. Cl.** **D8/353**

(58) **Field of Classification Search** D8/350-353; D13/156, 177, 152, 154, 158, 173, 169, 171, D13/139.1-139.8, 146, 147; D14/159; D25/60; 292/357; 248/27.3; 174/66, 67, 55, 58, 535; 200/303; 220/241, 3.92, 3.5-3.8, 242; 439/536, 439/535, 892

See application file for complete search history.

(56) **References Cited**

U.S. PATENT DOCUMENTS

2,740,873 A 4/1956 Cronk
4,340,795 A * 7/1982 Arthur 200/295
4,355,198 A * 10/1982 Gartland, Jr. 174/66
4,500,746 A 2/1985 Meehan
4,631,354 A * 12/1986 Boteler 174/66

4,733,330 A * 3/1988 Tanaka et al. 361/641
4,833,277 A * 5/1989 Jacoby et al. 174/66
4,835,343 A * 5/1989 Graef et al. 174/66
5,041,698 A * 8/1991 Takagi et al. 174/66
5,073,681 A * 12/1991 Hubben et al. 174/66
D327,212 S * 6/1992 Hubben et al. D8/353
5,180,886 A 1/1993 Dierenbach et al.
D336,744 S * 6/1993 Kahn et al. D13/171
D346,949 S * 5/1994 Comerci et al. D8/353
5,375,728 A * 12/1994 West 220/3.8
5,594,208 A * 1/1997 Cancellieri et al. 174/58
5,723,817 A 3/1998 Arenas et al.
5,835,980 A * 11/1998 Houssian 174/67
5,863,016 A * 1/1999 Makwinski et al. 248/27.1

(Continued)

OTHER PUBLICATIONS

Pass & Seymour Legrand "Switches" Pass & Seymour catalog, no date, pp. A-1-A-23.

(Continued)

Primary Examiner—Stella M Reid
Assistant Examiner—Mark A Goodwin
(74) *Attorney, Agent, or Firm*—Pate Pierce & Baird

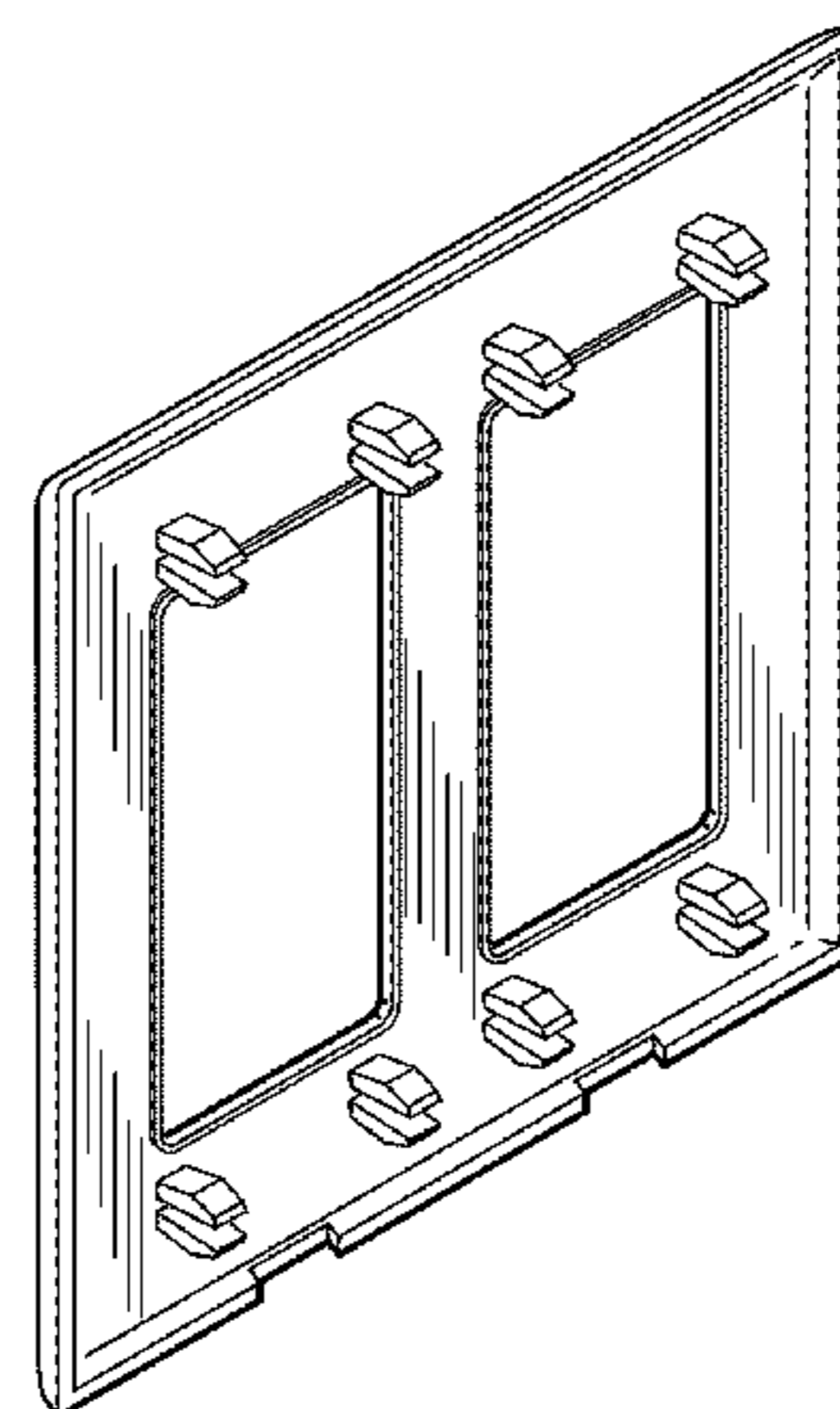
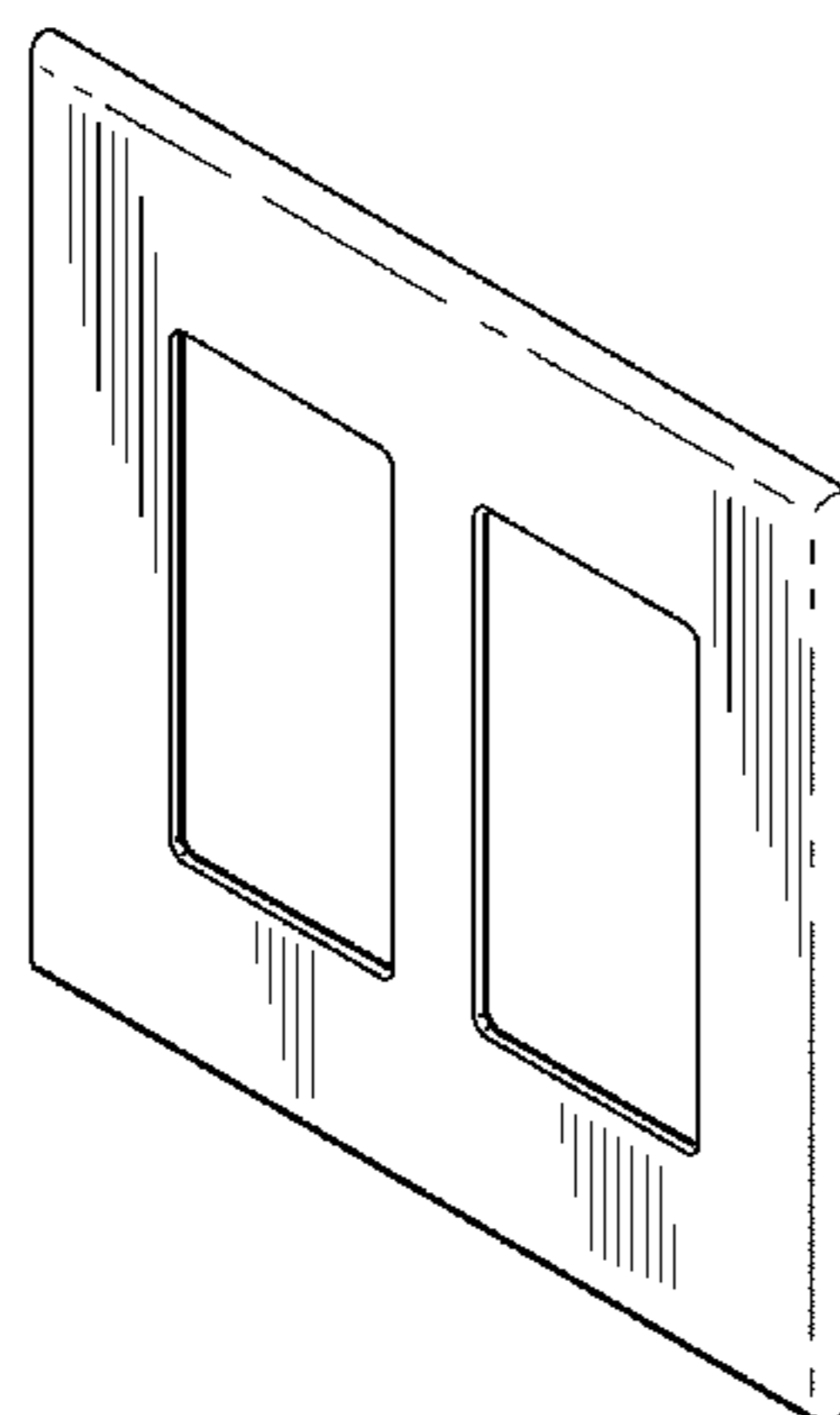
(57) **CLAIM**

The ornamental design for a double, switch cover plate, as shown and described.

DESCRIPTION

FIG. 1 is a left side elevation view of an double switch cover plate showing my new design;
FIG. 2 is a rear elevation view thereof;
FIG. 3 is a right side elevation view thereof;
FIG. 4 is a top plan view thereof;
FIG. 5 is a front elevation view thereof;
FIG. 6 is a bottom plan view thereof;
FIG. 7 is a front perspective view hereof; and,
FIG. 8 is a rear perspective view thereof.

1 Claim, 2 Drawing Sheets



US D596,925 S

Page 2

U.S. PATENT DOCUMENTS

5,895,888 A * 4/1999 Arenas et al. 174/66
6,005,308 A 12/1999 Bryde et al.
6,023,021 A * 2/2000 Matthews et al. 174/66
6,218,617 B1 * 4/2001 Estanislao et al. 174/66
6,355,885 B1 * 3/2002 Rintz et al. 174/66
D484,392 S * 12/2003 Mayo et al. D8/353
6,943,297 B2 * 9/2005 Capella 174/66
7,071,414 B2 * 7/2006 Kim 174/66
7,075,009 B1 * 7/2006 Rohmer 174/66
7,102,081 B2 * 9/2006 Xu et al. 174/66
7,122,740 B2 * 10/2006 Xu et al. 174/66
7,279,636 B2 * 10/2007 Oddsen et al. 174/66
7,284,996 B2 * 10/2007 Kidman 439/136

7,318,732 B2 * 1/2008 Kidman 439/136
2003/0079898 A1 * 5/2003 Kidman 174/66
2003/0226681 A1 * 12/2003 Lindenstrauss et al. 174/66
2003/0226682 A1 * 12/2003 Tufano et al. 174/66
2003/0226683 A1 * 12/2003 Tufano et al. 174/66
2006/0086525 A1 * 4/2006 Xu et al. 174/66

OTHER PUBLICATIONS

Pass & Seymour Legrand "Straight Blade Devices" Pass & Seymour catalog, no date, pp. B-1-B-49.

Pass & Seymour Legrand "Wall Plates & Specialties" Pass & Seymour catalog, no date, pp. S-1-S-57.

* cited by examiner



FIG. 1

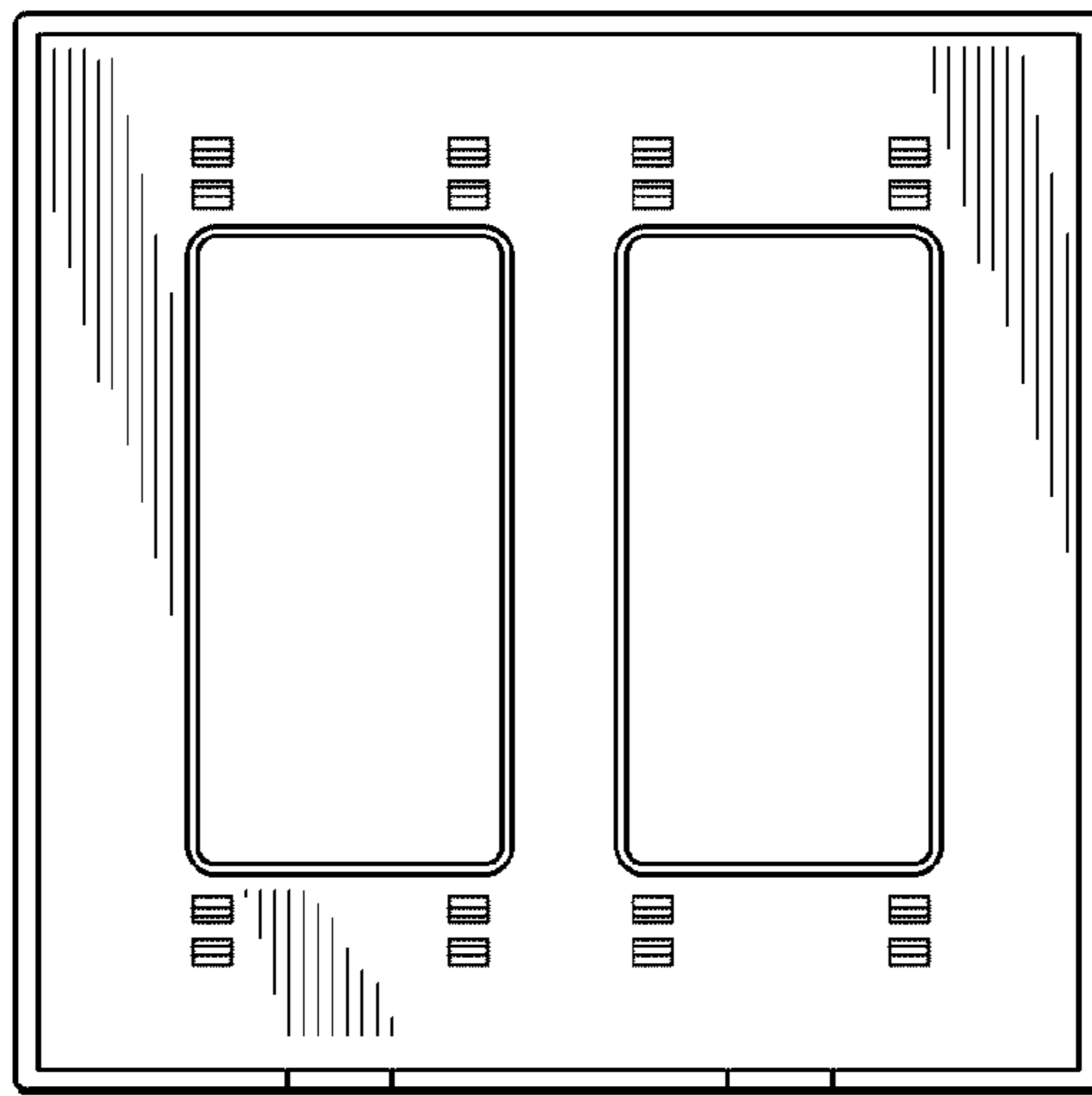


FIG. 2

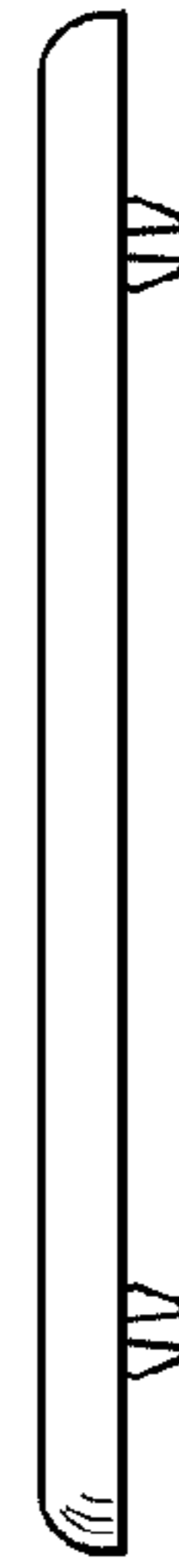


FIG. 3

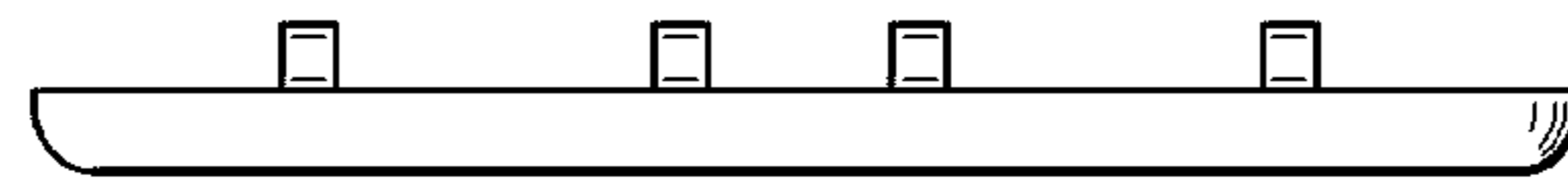


FIG. 4

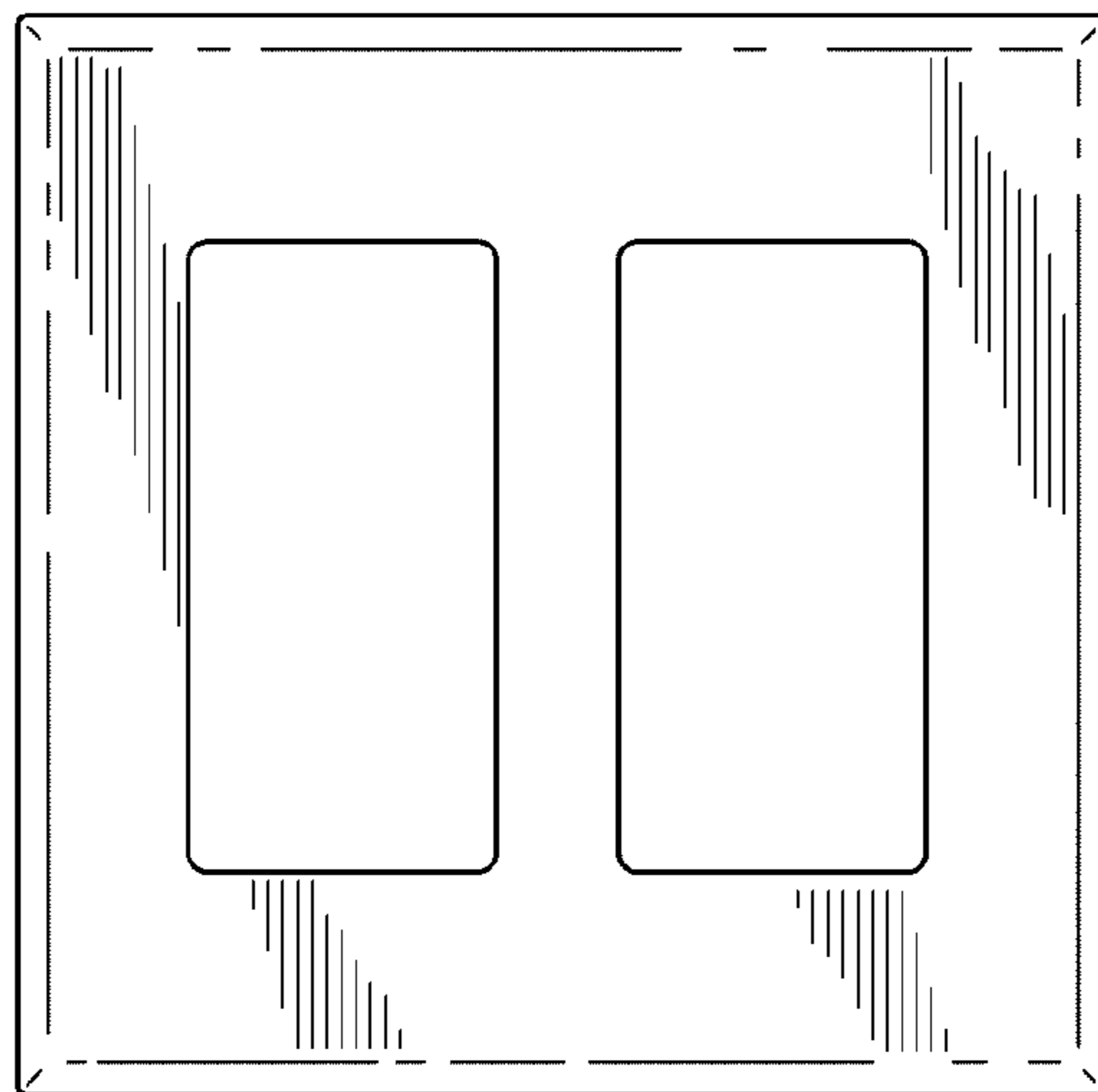


FIG. 5

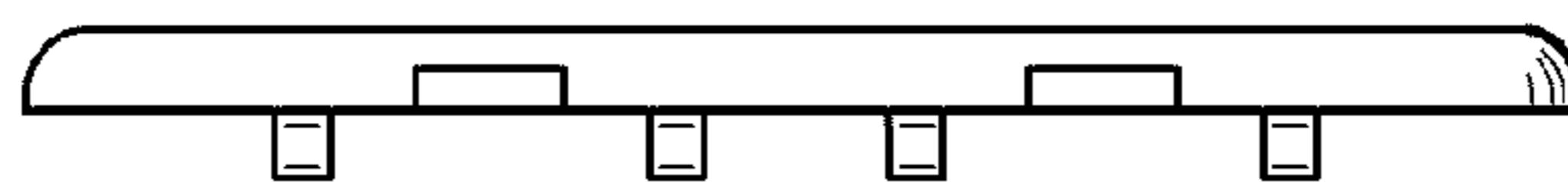


FIG. 6

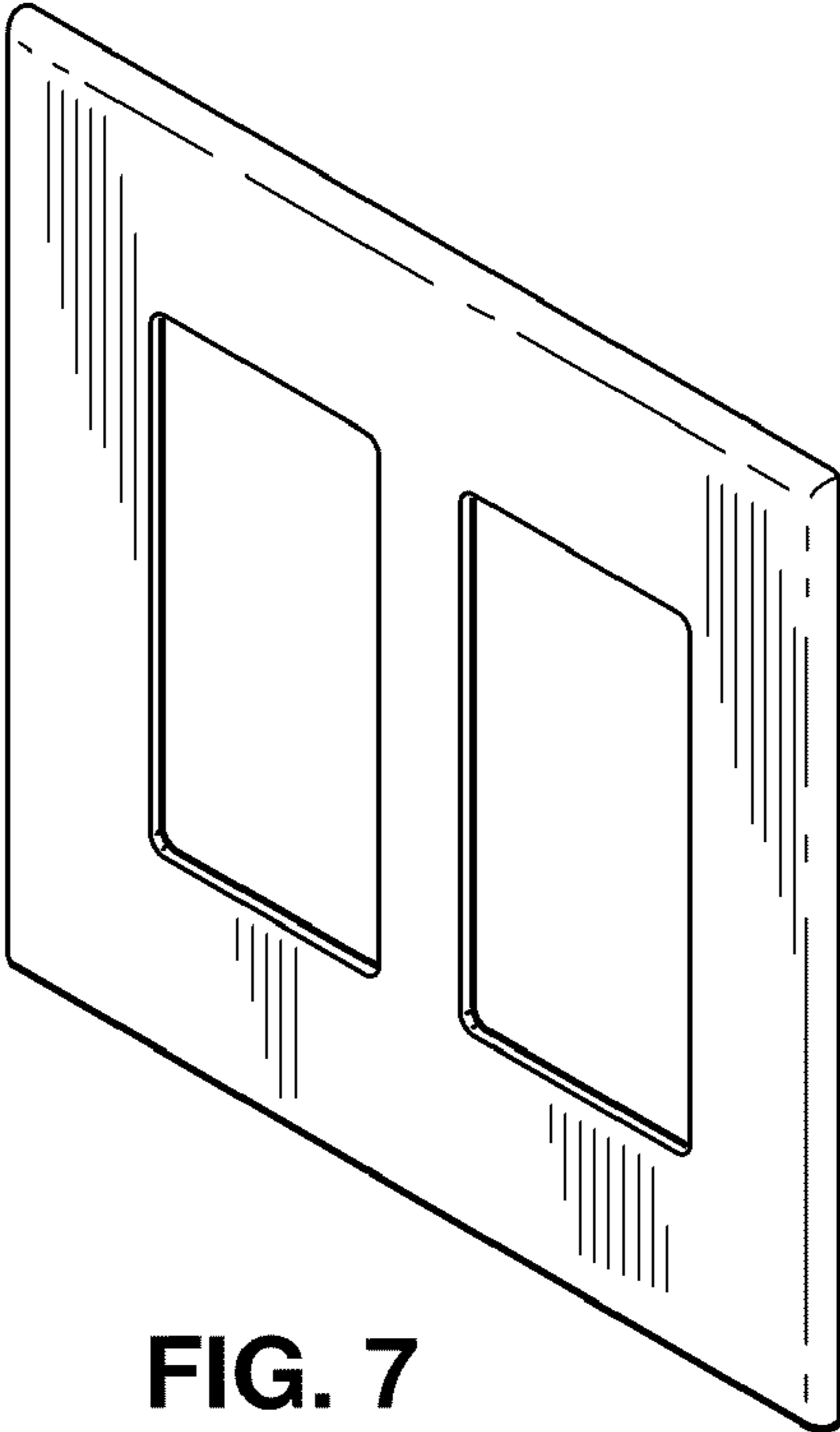


FIG. 7

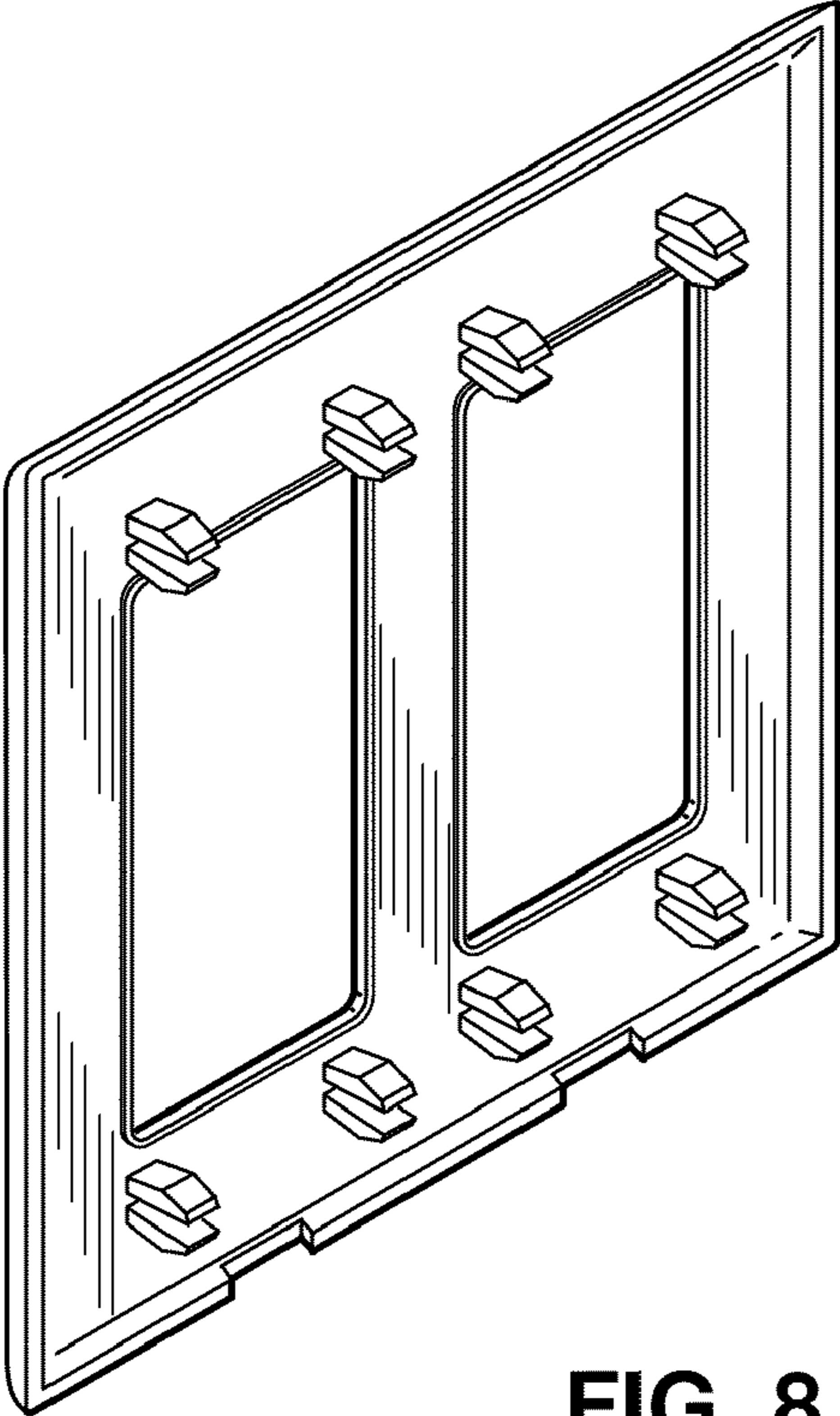


FIG. 8