



US00D596922S

(12) **United States Design Patent**
Falconer et al.

(10) **Patent No.:** **US D596,922 S**
(45) **Date of Patent:** **** Jul. 28, 2009**

(54) **DIESEL TANK CAP LOCK HOUSING**

(75) Inventors: **Robert P. Falconer**, Fort Worth, TX
(US); **Jewel B. Smith**, Fort Worth, TX
(US)

(73) Assignee: **Blaylock Industries, Inc.**, Fort Worth,
TX (US)

(**) Term: **14 Years**

(21) Appl. No.: **29/324,765**

(22) Filed: **Sep. 19, 2008**

(51) **LOC (9) Cl.** **08-07**

(52) **U.S. Cl.** **D8/343; D8/336**

(58) **Field of Classification Search** D8/330,
D8/331, 336, 343, 346; 70/14, 51, 52, 102,
70/141, 142, 158, 237, 242, 244, 258, DIG. 43,
70/DIG. 56; 292/246, 248, 44, 256, 256.5
See application file for complete search history.

(56) **References Cited**

U.S. PATENT DOCUMENTS

- 3,613,044 A * 10/1971 Rarick 439/528
- 3,930,388 A 1/1976 Barras
- 4,030,628 A 6/1977 Hippert, Jr.
- 4,080,496 A * 3/1978 Mee 544/295
- 4,217,925 A * 8/1980 Clark 137/385
- D258,489 S * 3/1981 Gipson D8/333
- D258,715 S * 3/1981 Gipson D8/333
- 4,254,888 A 3/1981 Chandler
- D268,090 S * 3/1983 Shanklin D8/331
- 4,527,407 A * 7/1985 Shanklin 70/167
- 4,538,434 A 9/1985 Janzen, Sr. et al.

- D311,857 S * 11/1990 Webster D8/333
- 5,033,280 A 7/1991 Johnson
- 5,400,626 A * 3/1995 Villani 70/178
- D389,442 S * 1/1998 Kantor D12/162
- 5,927,111 A 7/1999 Nachbauer
- 2003/0106896 A1 6/2003 West, Sr. et al.
- 2008/0141741 A1* 6/2008 Bisailon 70/171

* cited by examiner

Primary Examiner—Prabhakar Deshmukh

(74) *Attorney, Agent, or Firm*—Bracewell & Giuliani LLP

(57) **CLAIM**

The ornamental design for a diesel tank cap lock housing, as shown and described.

DESCRIPTION

FIG. 1 is a perspective view of a diesel tank cap lock housing and embodying our new design with the top hatch open.

FIG. 2 is a perspective view of a diesel tank cap lock housing and embodying our new design with the top hatch closed.

FIG. 3 is a rear view thereof.

FIG. 4 is a front view thereof.

FIG. 5 is a side view thereof.

FIG. 6 is a side view as seen from the opposite side of that in FIG. 5.

FIG. 7 is a top view thereof; and,

FIG. 8 is a bottom view thereof.

The broken lines environment is for illustrative purpose only and forms no part of claimed design.

1 Claim, 5 Drawing Sheets

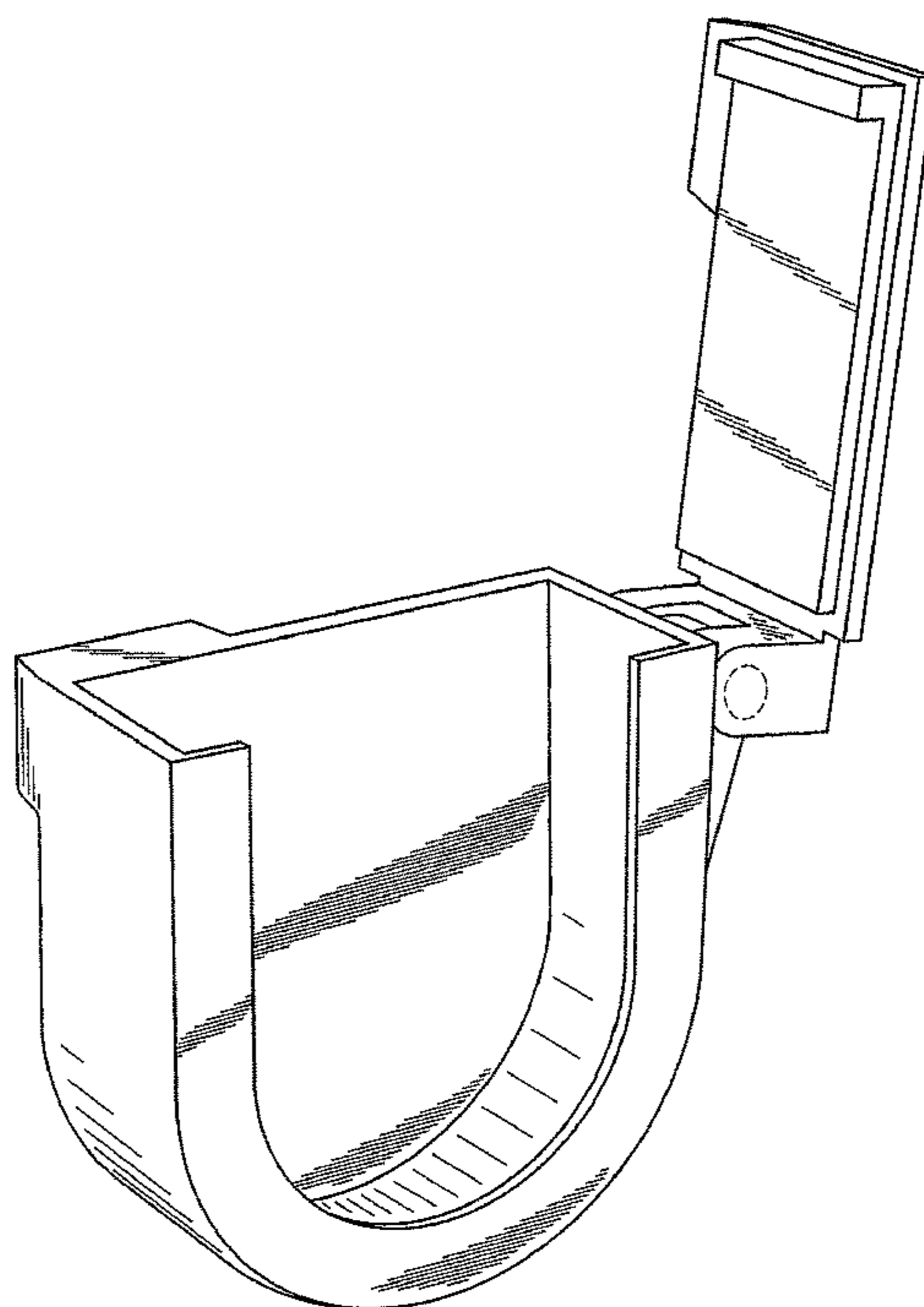


Fig. 1

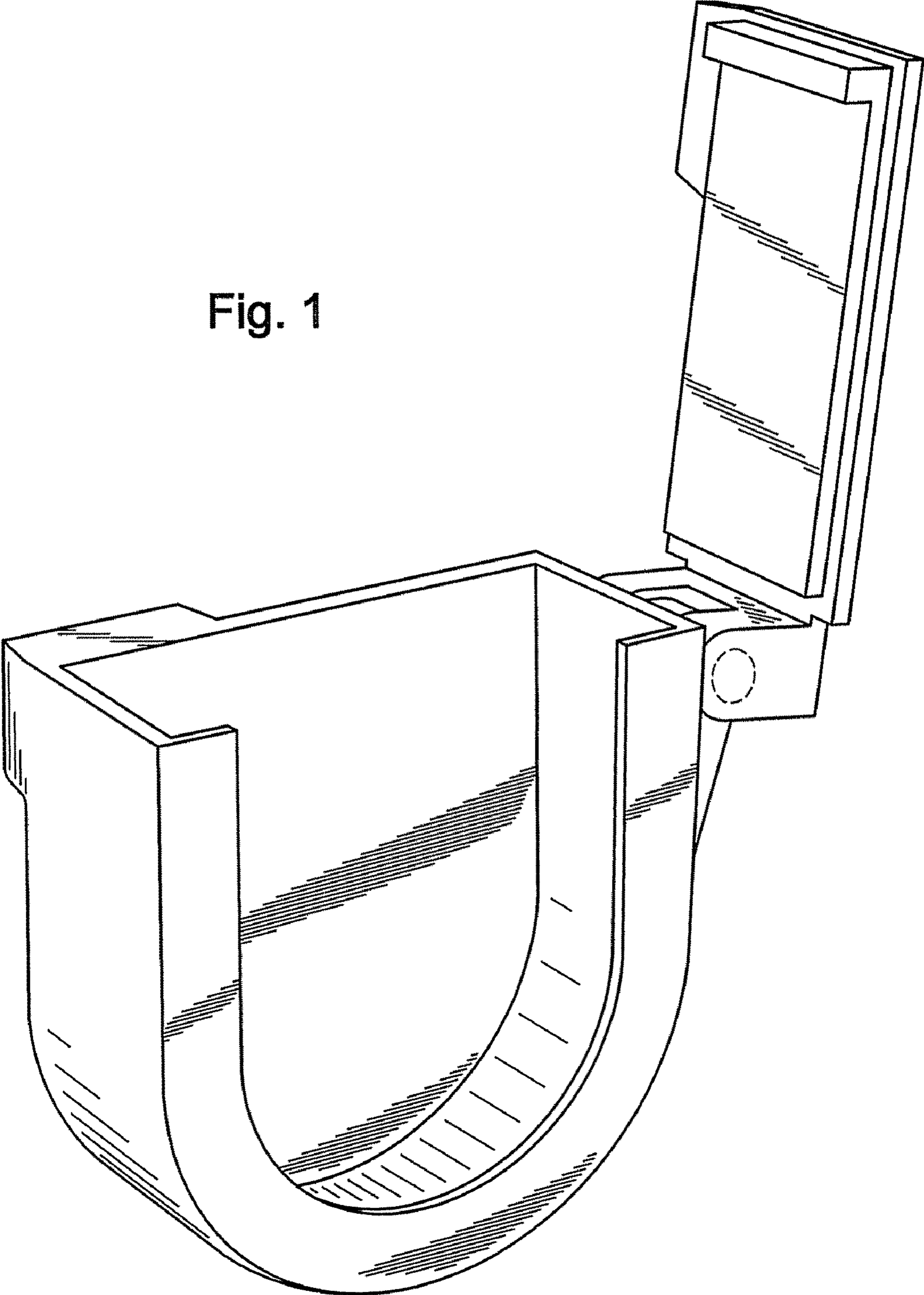


Fig. 2

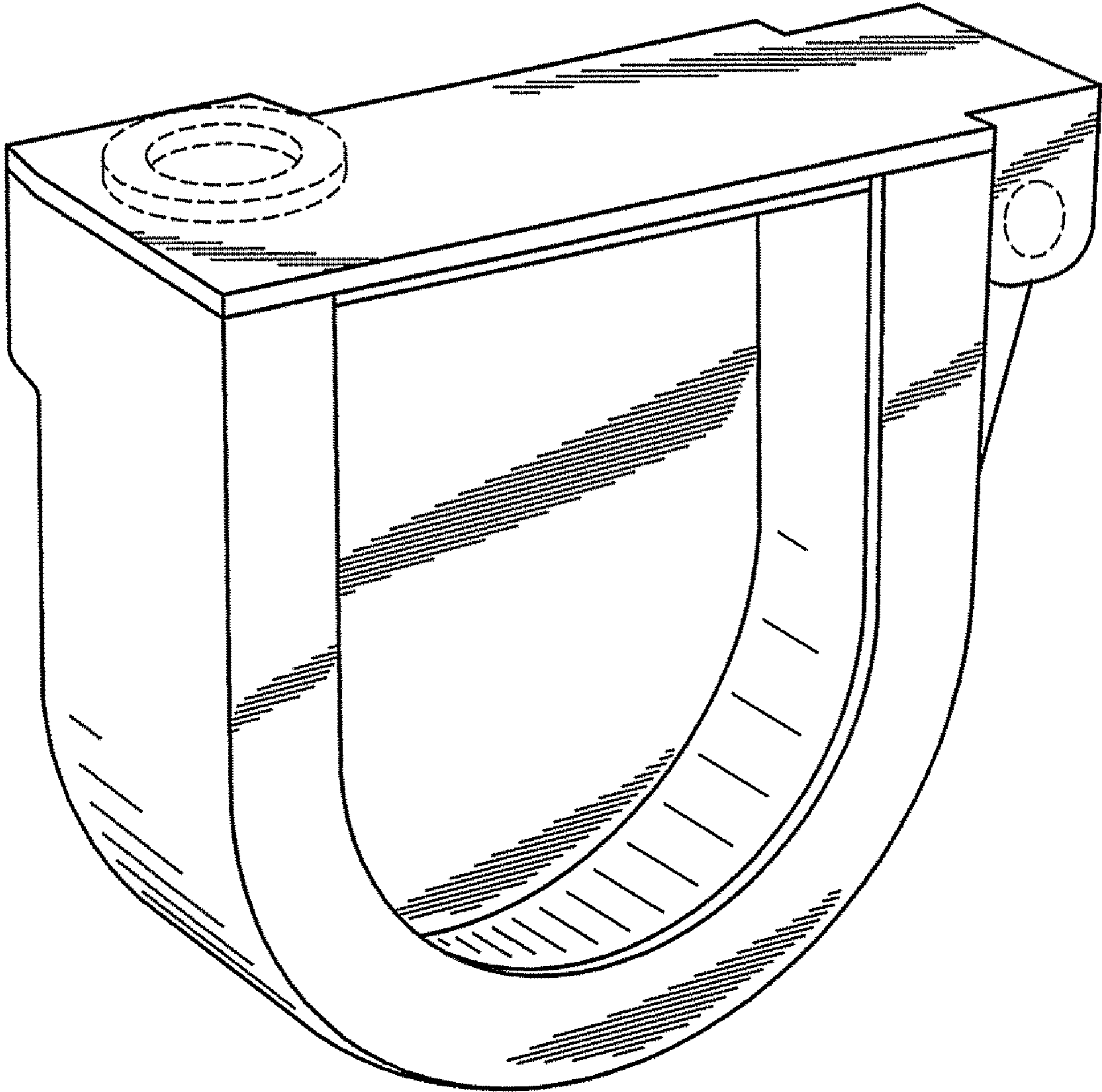


Fig. 3

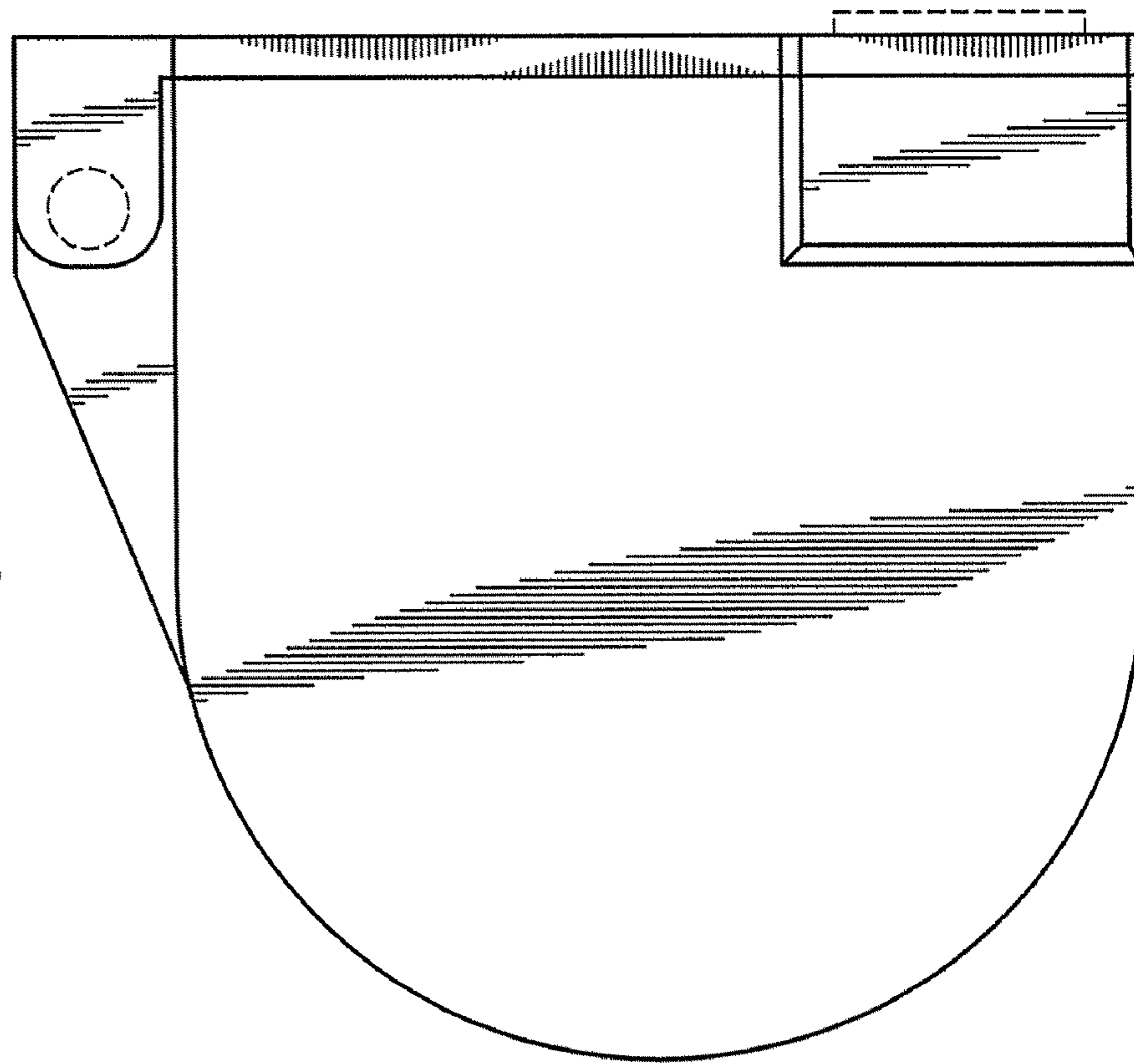


Fig. 4

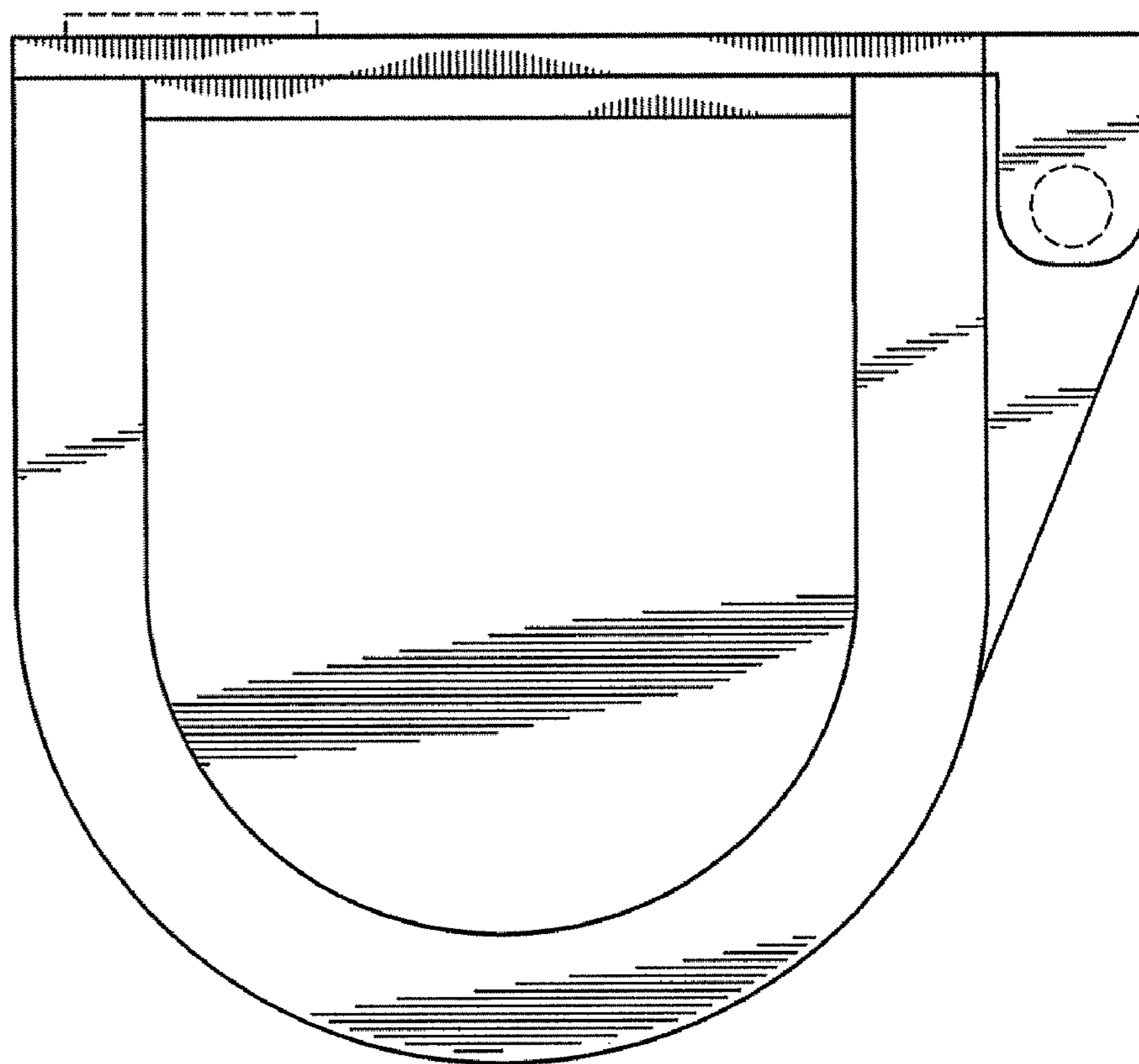


Fig. 6

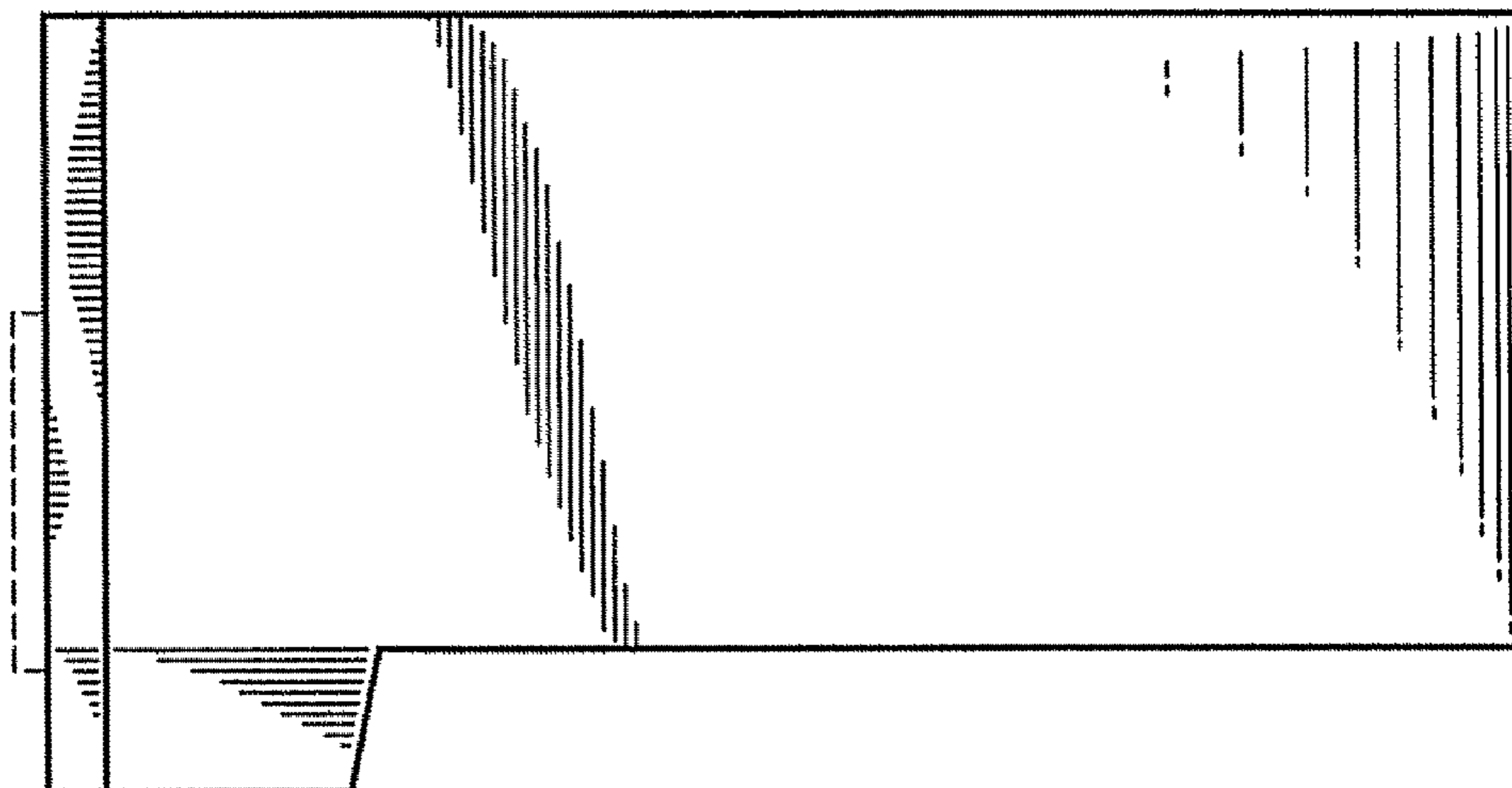


Fig. 5

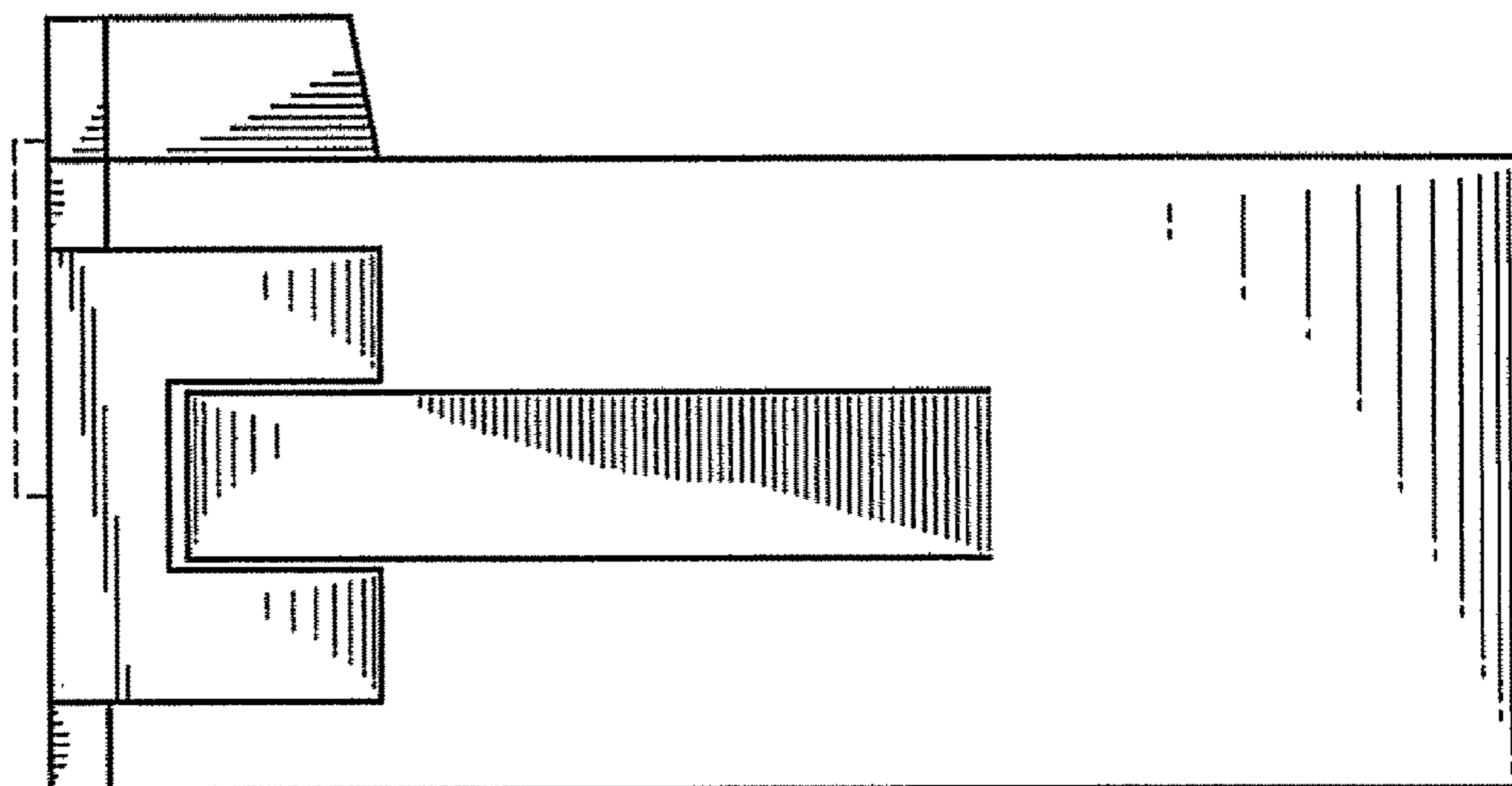


Fig. 8

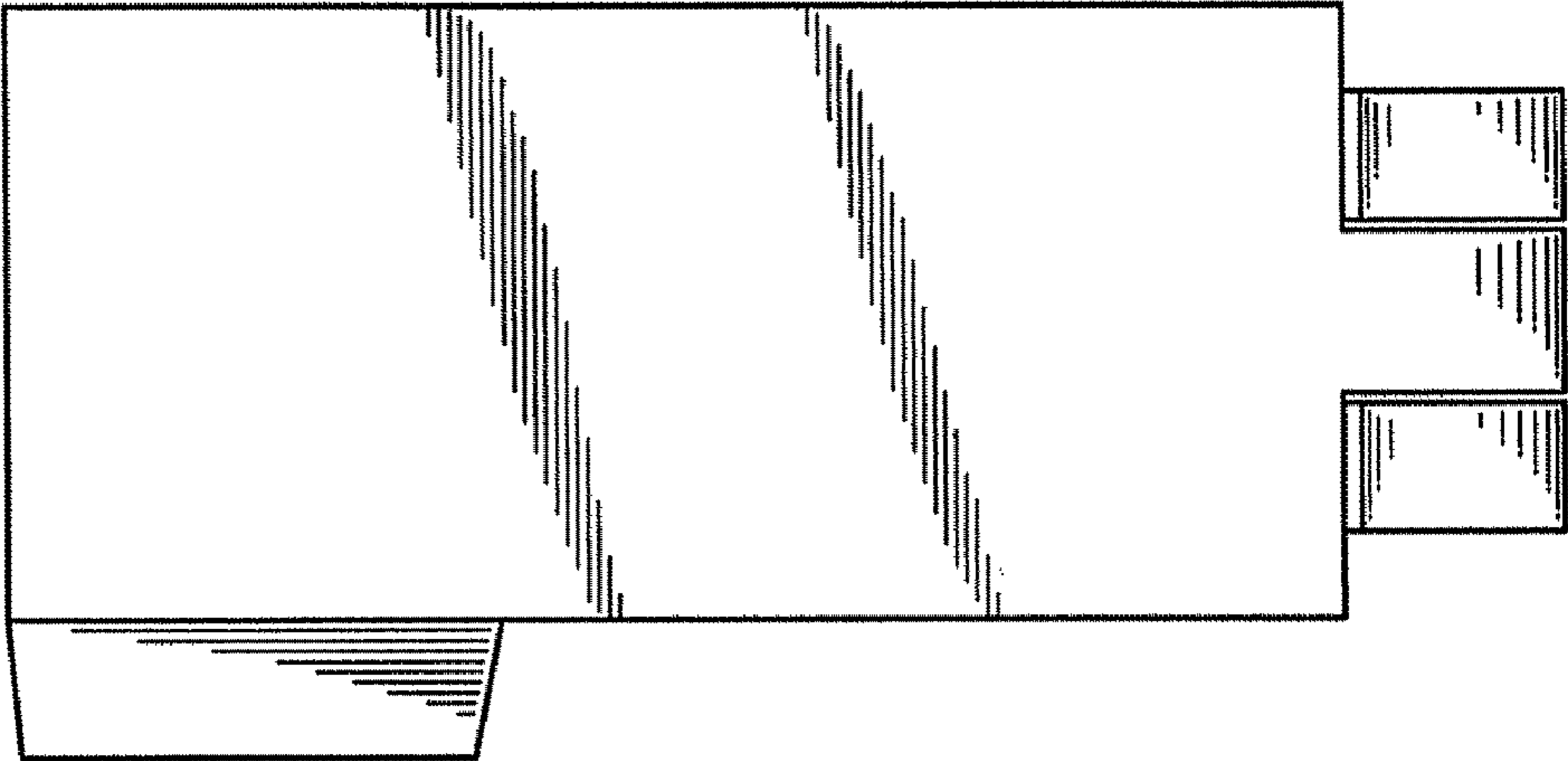


Fig. 7

