

US00D596921S

(12) **United States Design Patent**
Hageman et al.

(10) **Patent No.:** **US D596,921 S**

(45) **Date of Patent:** **** Jul. 28, 2009**

(54) **LOCKING PIN**

(75) Inventors: **David Hageman**, Chagrin Falls, OH
(US); **Matt Schron**, Bay Village, OH
(US); **Dean Marshall**, San Rafael, CA
(US); **John McGhee**, Parkdale, OR (US)

(73) Assignee: **Jergens, Inc.**, Cleveland, OH (US)

(**) Term: **14 Years**

(21) Appl. No.: **29/310,846**

(22) Filed: **Sep. 12, 2008**

(51) **LOC (9) Cl.** **08-07**

(52) **U.S. Cl.** **D8/343; D8/330**

(58) **Field of Classification Search** D8/330,
D8/331, 343, 300, 349, 367, 354; 70/14,
70/57, 183, 258, 384, 431, 169, 182, 132,
70/187, 289

See application file for complete search history.

(56) **References Cited**

U.S. PATENT DOCUMENTS

4,049,313 A * 9/1977 Lundberg 292/307 R
4,689,978 A * 9/1987 Drummond 70/431
D350,686 S * 9/1994 Myers D8/343
D398,221 S * 9/1998 Weber et al. D8/371
D468,621 S * 1/2003 Farrar et al. D8/339
D498,408 S * 11/2004 Haas D8/338

6,886,376 B2 * 5/2005 Kuo 70/58
D511,674 S * 11/2005 Myers et al. D8/343
D515,399 S * 2/2006 Ho D8/330
D534,054 S * 12/2006 Garcia et al. D8/330
D559,079 S * 1/2008 Berry et al. D8/343
D581,248 S * 11/2008 Wu et al. D8/343

* cited by examiner

Primary Examiner—Prabhakar Deshmukh

(74) *Attorney, Agent, or Firm*—Fay Sharpe LLP

(57) **CLAIM**

The ornamental design for a locking pin, as shown and described.

DESCRIPTION

FIG. 1 is a perspective view of a locking pin showing our new design;

FIG. 2 is a top view of the pin shown in FIG. 1;

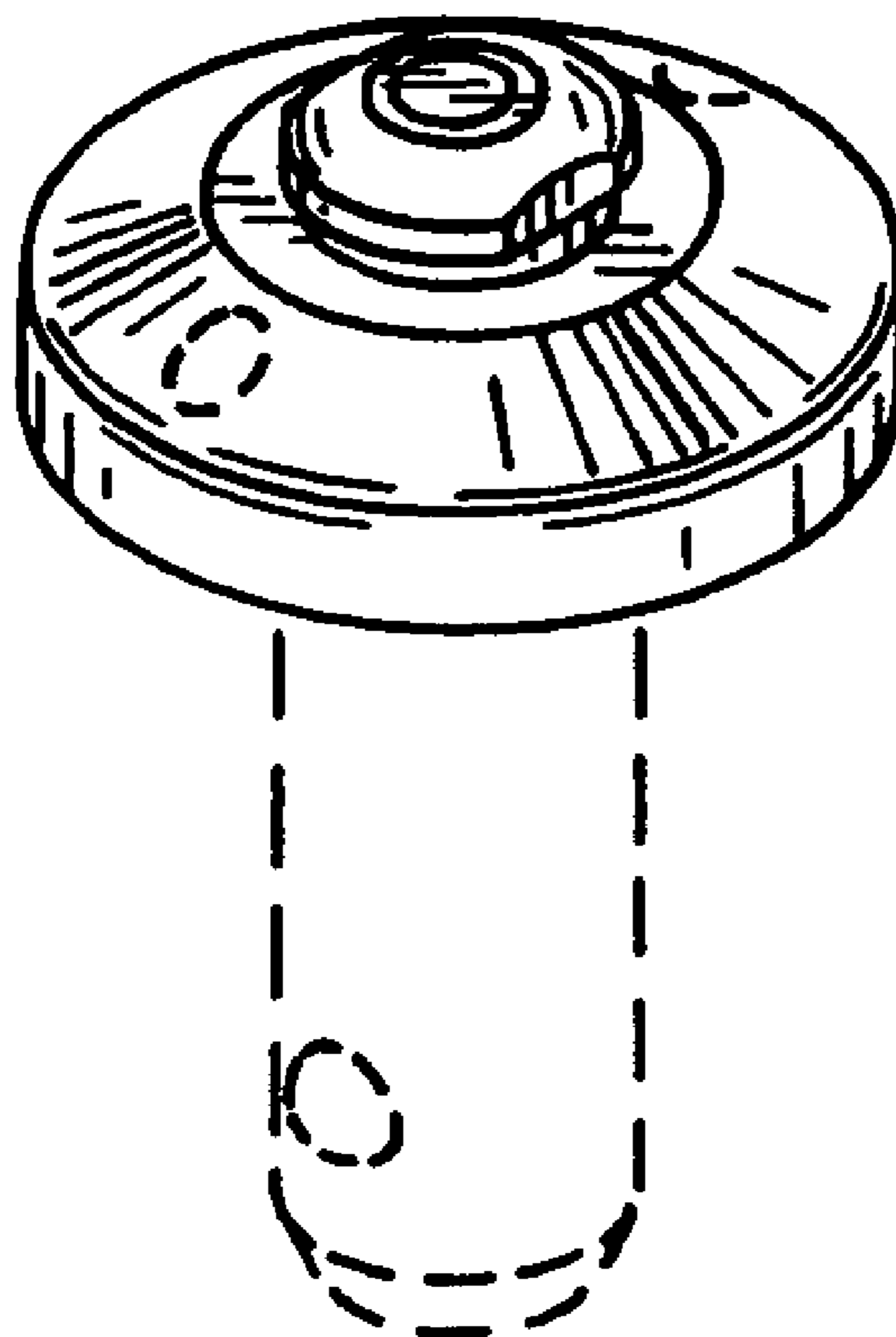
FIG. 3 is a front view of the pin shown in FIG. 1 wherein the rear view is a mirror image of the front view;

FIG. 4 is a right side view of the pin shown in FIG. 1 wherein the left side view is a mirror image of the right side view; and,

FIG. 5 is a bottom view of the pin shown in FIG. 1.

The broken lines are for illustrative purposes only and form no part of the claimed design.

1 Claim, 1 Drawing Sheet



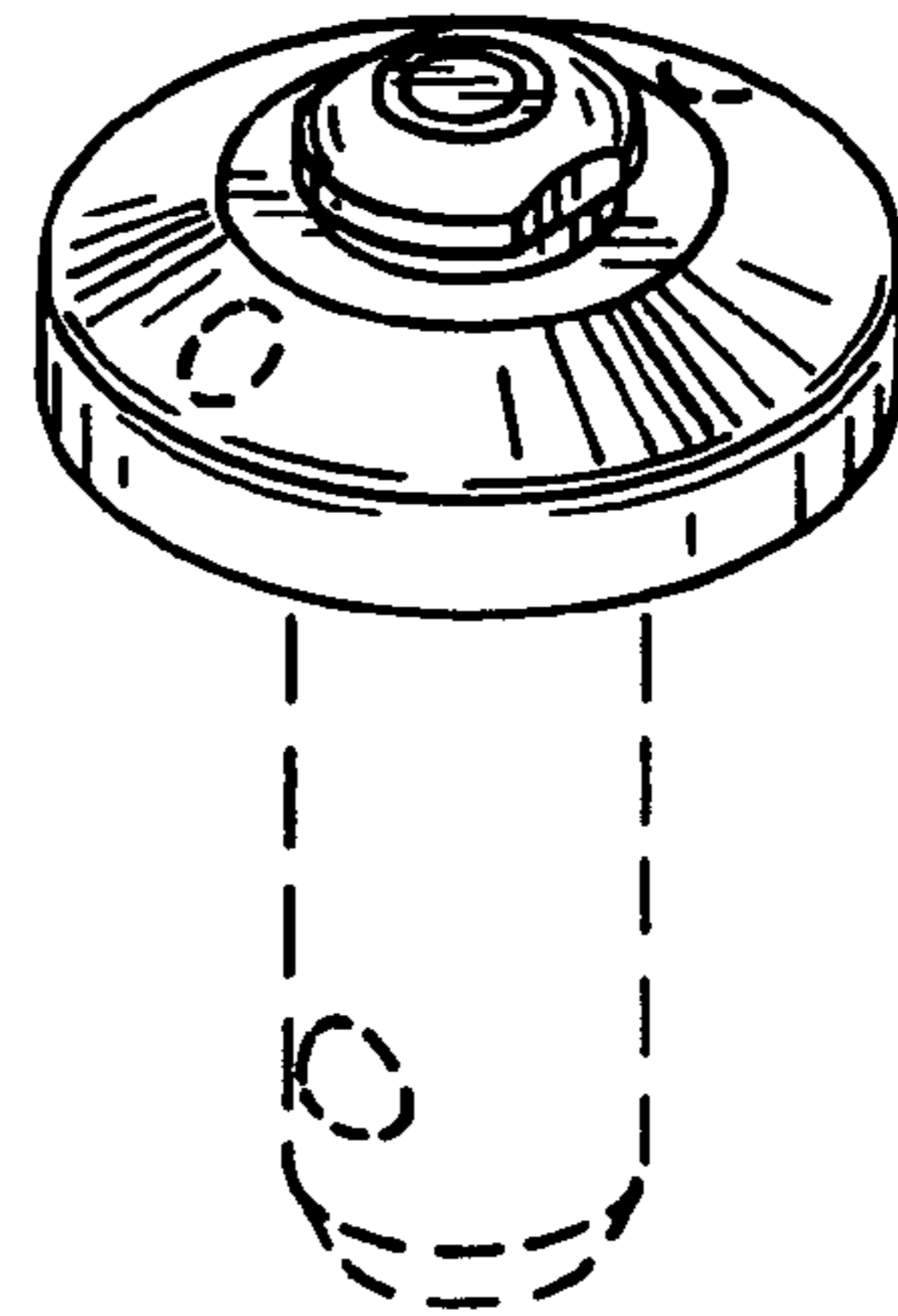


FIG. 1

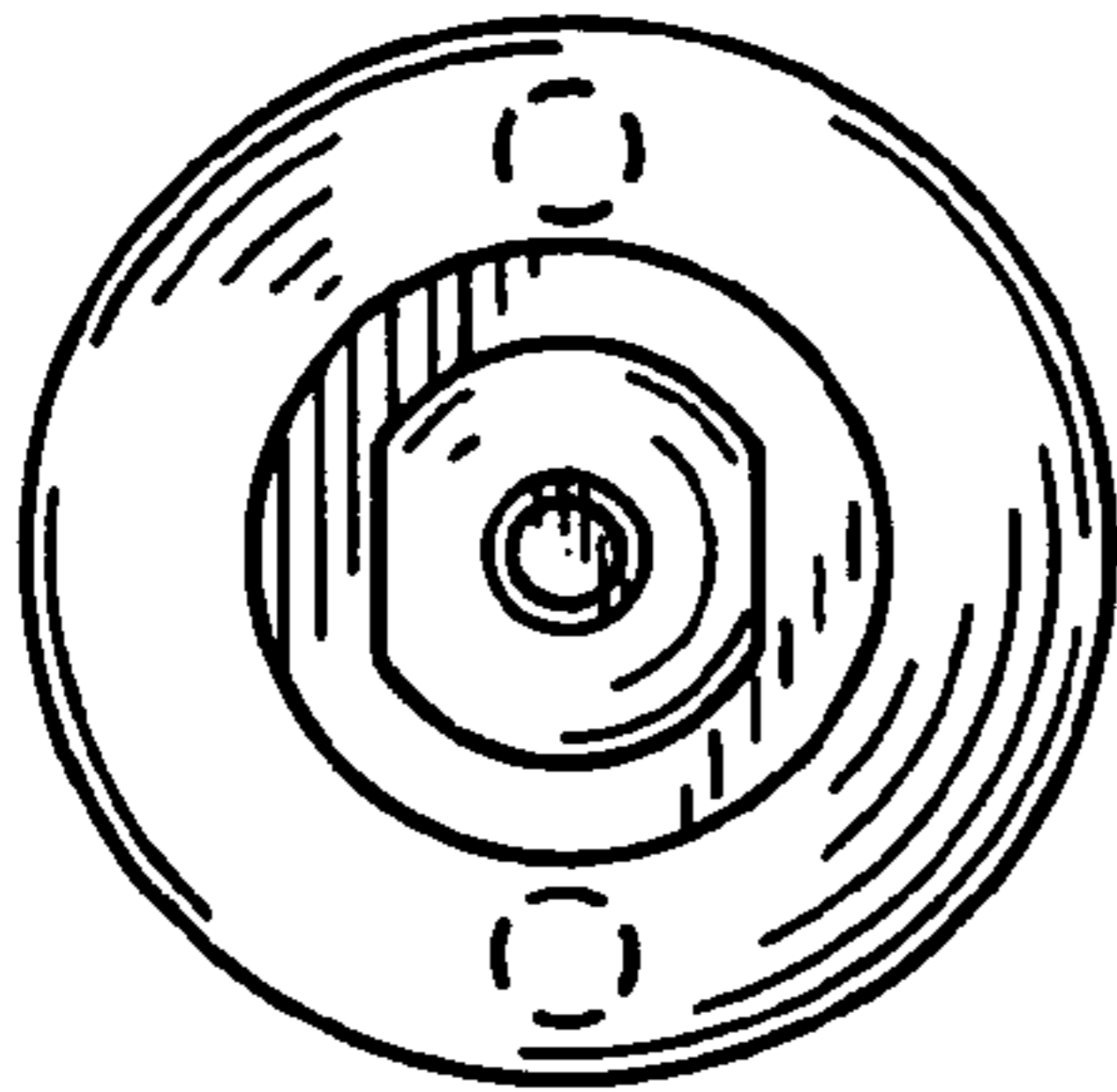


FIG. 2

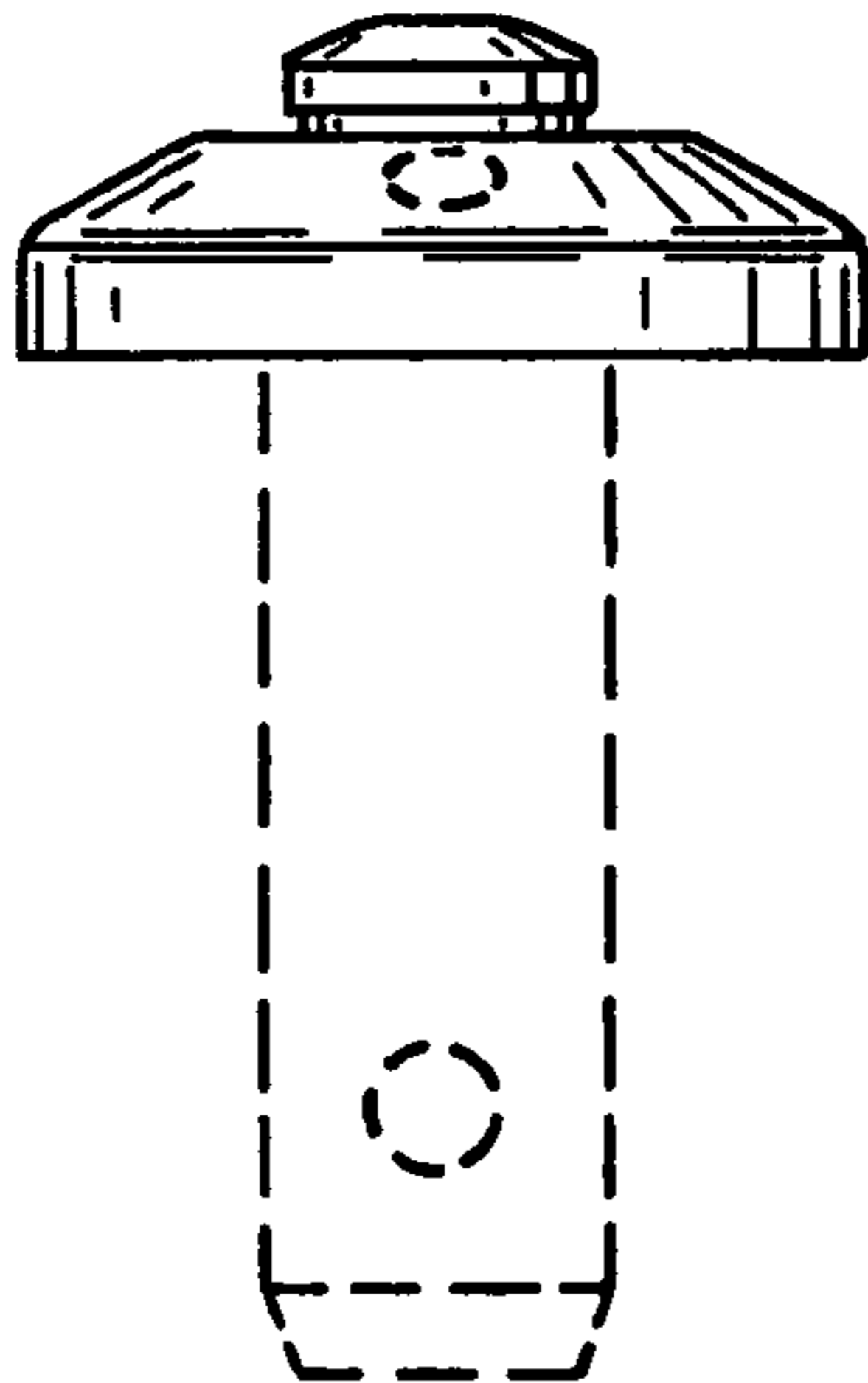


FIG. 4

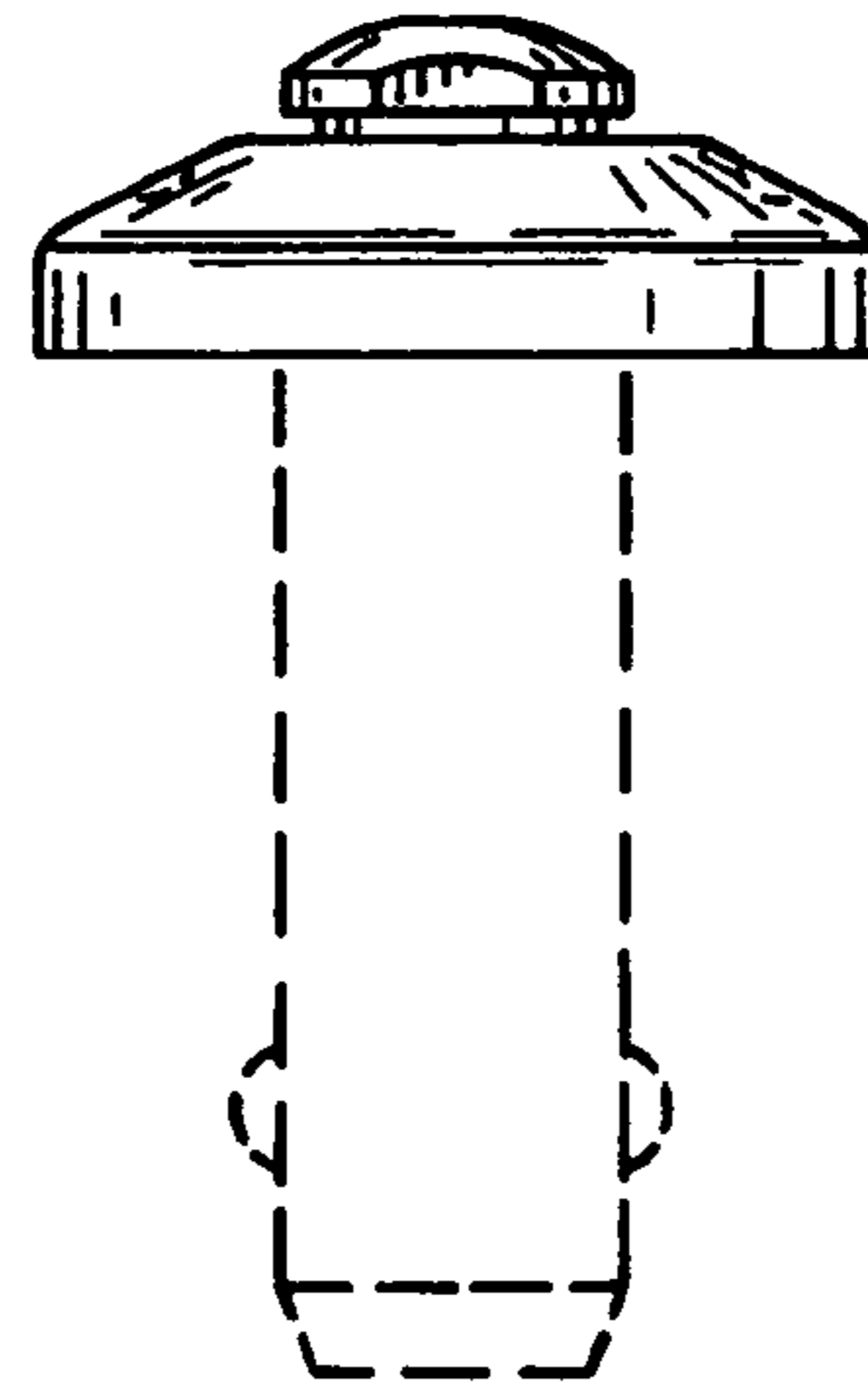


FIG. 3

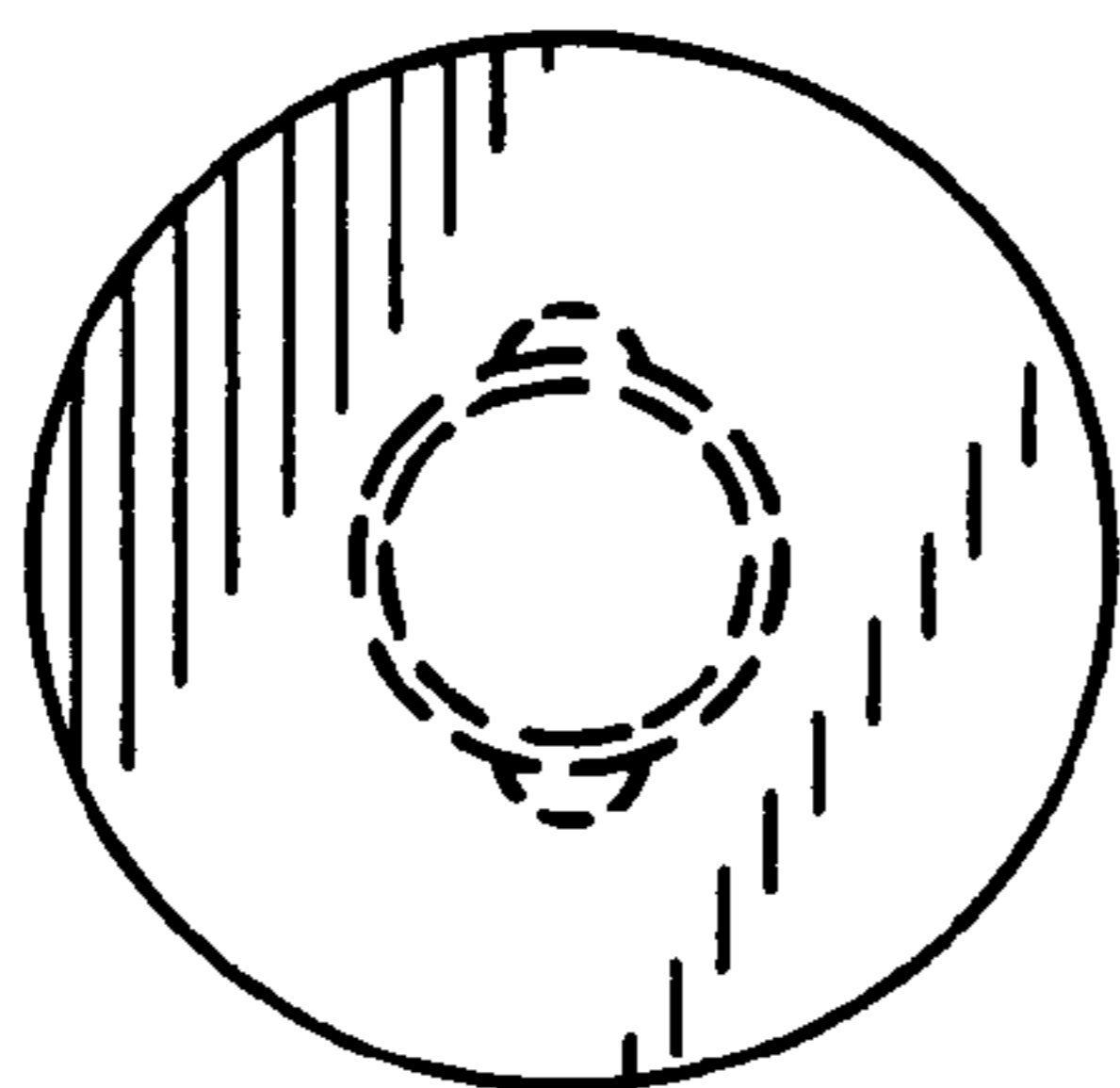


FIG. 5