



US00D596920S

(12) **United States Design Patent**
Cotton et al.

(10) **Patent No.:** **US D596,920 S**
(45) **Date of Patent:** **** Jul. 28, 2009**

(54) **MARINE SLAM LATCH**

(75) Inventors: **Oren Lee Cotton**, Anacortes, WA (US);
Brian P. Vogeding, Newark, DE (US)

(73) Assignee: **Southco, Inc.**, Concordville, PA (US)

(**) Term: **14 Years**

(21) Appl. No.: **29/306,551**

(22) Filed: **Apr. 10, 2008**

(51) **LOC (9) Cl.** **08-07**

(52) **U.S. Cl.** **D8/331**

(58) **Field of Classification Search** D8/300-309,
D8/330, 331, 343, 321, DIG. 10; 70/77,
70/91, 136, 141, 174, 208, 471; 292/336.3,
292/322, 359, 348, 337, 195, 198, 207, DIG. 26,
292/DIG. 31; 16/207, 214, 371, 408, 409,
16/440

See application file for complete search history.

(56) **References Cited**

U.S. PATENT DOCUMENTS

D324,636 S	3/1992	Schlack et al.	
5,299,844 A *	4/1994	Gleason	292/240
D370,620 S	6/1996	Ziemer	
5,984,383 A *	11/1999	Parikh et al.	292/121
6,109,669 A *	8/2000	Pinkow	292/175
D452,808 S *	1/2002	Kyle	D8/331
6,460,902 B1 *	10/2002	Kyle	292/165
D475,602 S *	6/2003	McCloskey	D8/331
D489,959 S *	5/2004	Jackson et al.	D8/331
D506,120 S *	6/2005	Straka et al.	D8/331
D530,181 S *	10/2006	Straka et al.	D8/301
D565,930 S *	4/2008	Peng	D8/331
D585,724 S *	2/2009	Wu et al.	D8/331

OTHER PUBLICATIONS

M1-Compression Latches Product List, comprised of 5 pages, printed May 8, 2008 from Southco, Inc.'s website www.southco.com.

M1-Flush Pull Latches Product List, comprised of 5 pages, printed May 8, 2008 from Southco, Inc.'s website www.southco.com.

M5-D-Handle Compression Latches Product List, comprised of 1 page, printed May 8, 2008 from Southco, Inc.'s website www.southco.com.

M5-Flush Pull Latches Product List, comprised of 1 page, printed May 8, 2008 from Southco, Inc.'s website www.southco.com.

One (1) Sheet of photographs taken of Orcas 2"Slam Latch, manufactured by Southco, Inc.

One (1) Sheet of photographs taken of Orcas M1 Competition Latch, manufactured by Southco, Inc.

* cited by examiner

Primary Examiner—Prabhakar Deshmukh
(74) *Attorney, Agent, or Firm*—Paul & Paul

(57) **CLAIM**

The ornamental design for marine slam latch, as shown and described.

DESCRIPTION

FIG. 1 is a top plan view of a marine slam latch housing showing our new design;

FIG. 2 is bottom plan view thereof;

FIG. 3 is a front elevational view thereof, the rear elevational view being a mirror image thereof;

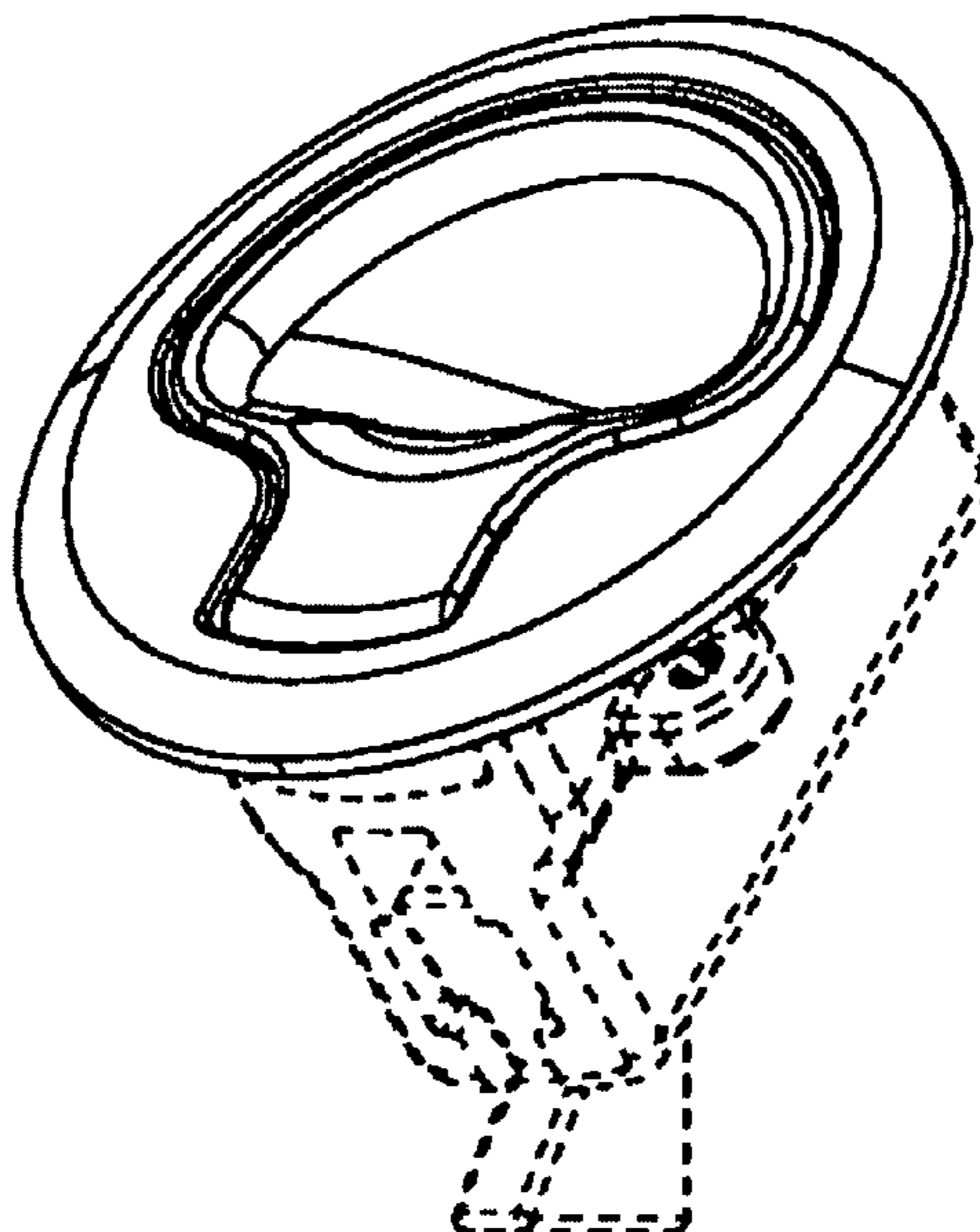
FIG. 4 is a right side elevational view thereof, the left side elevational view being a mirror image thereof;

FIG. 5 is a top rear perspective view thereof; and,

FIG. 6 is a top front perspective view thereof.

The broken lines are for illustrative purpose only and form no part of the claimed design.

1 Claim, 2 Drawing Sheets



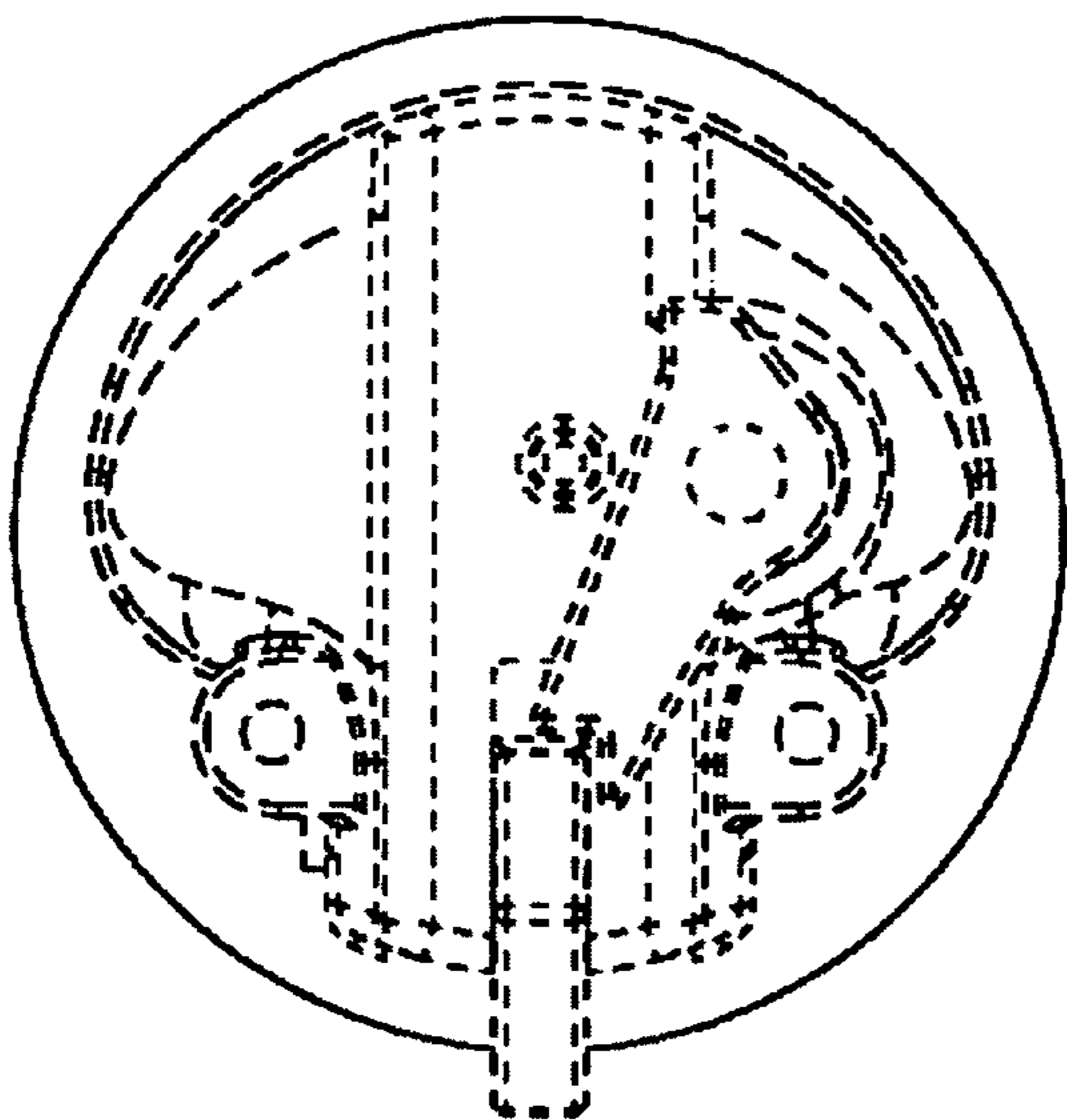


Figure 2

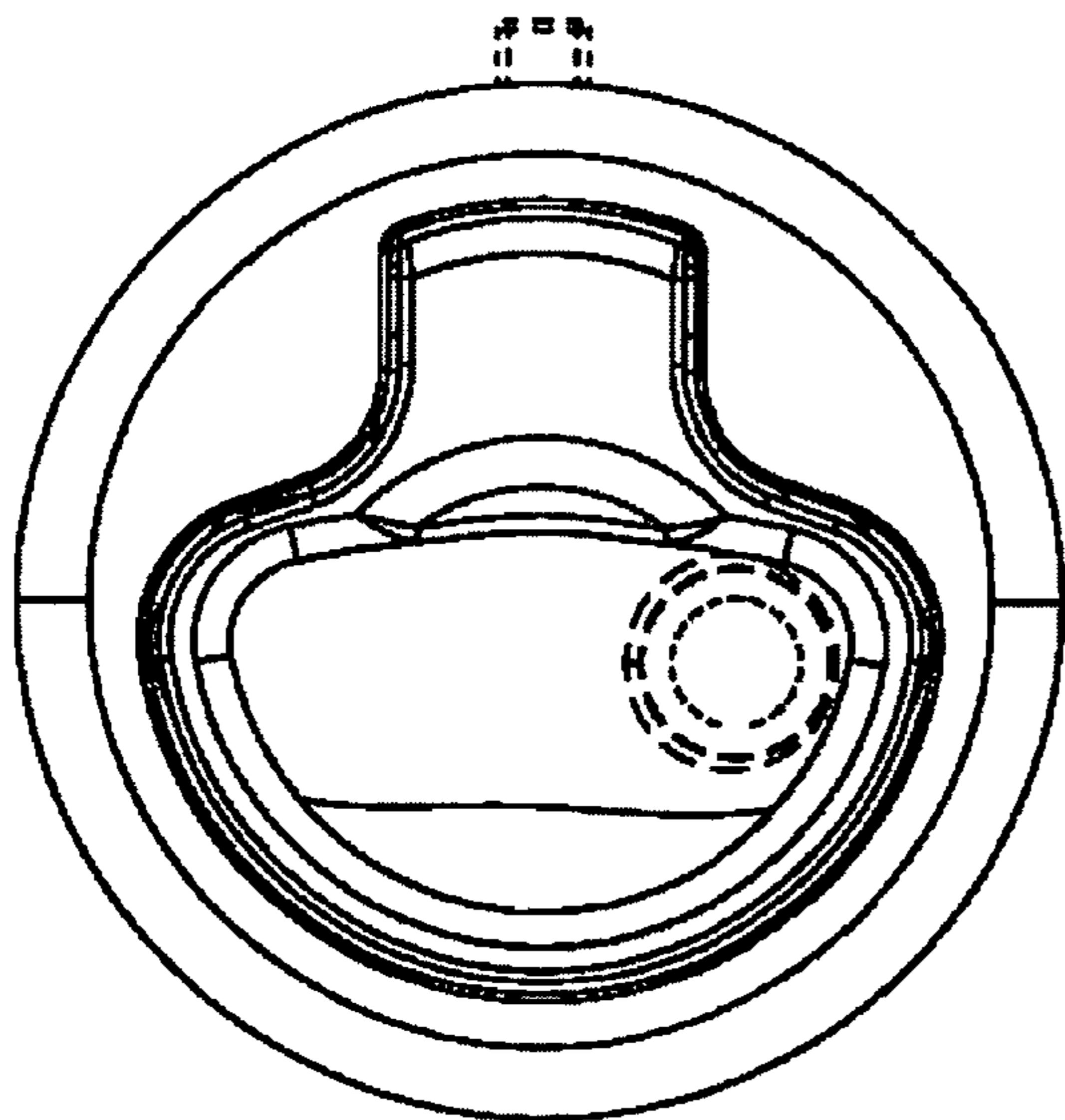


Figure 1

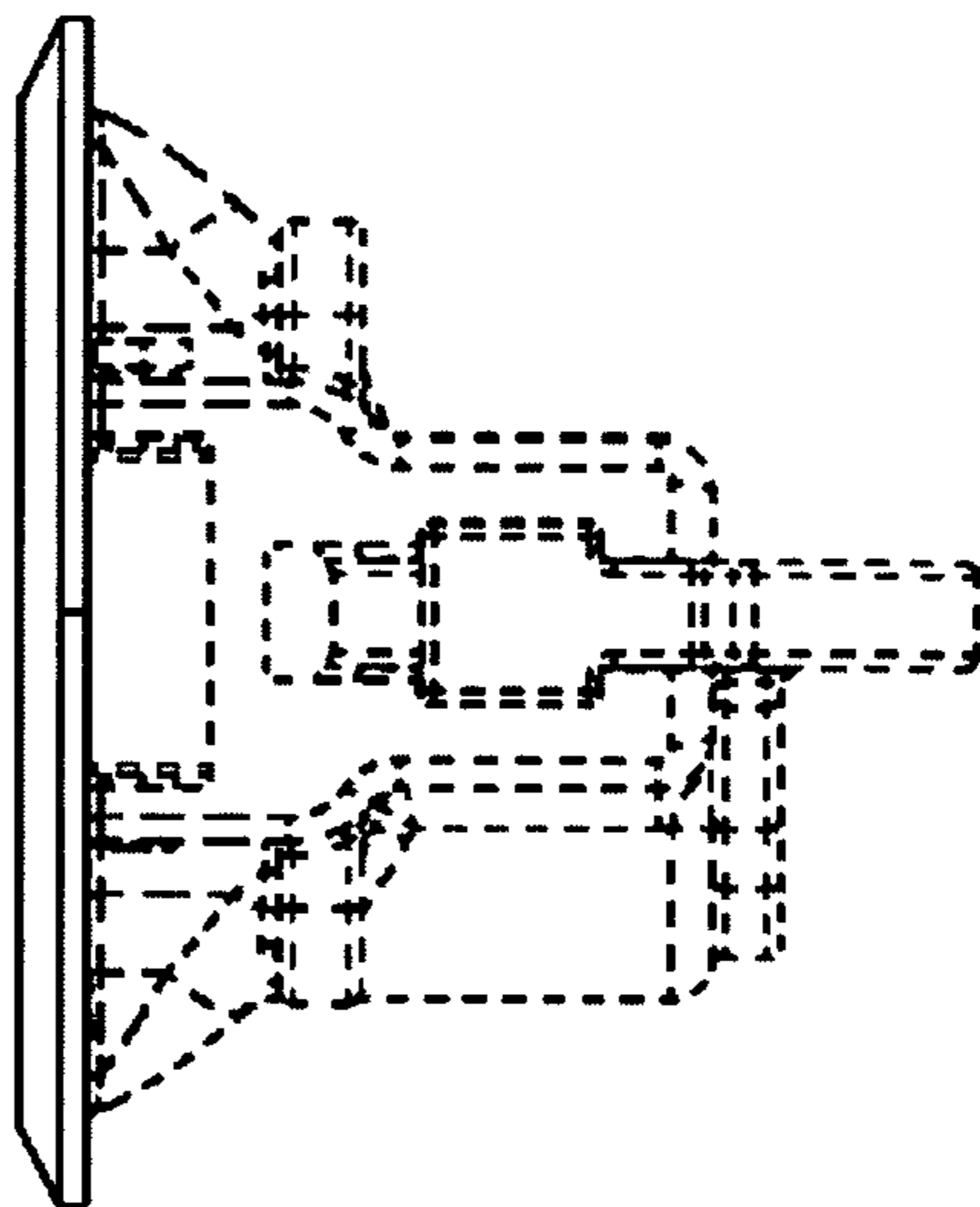


Figure 3

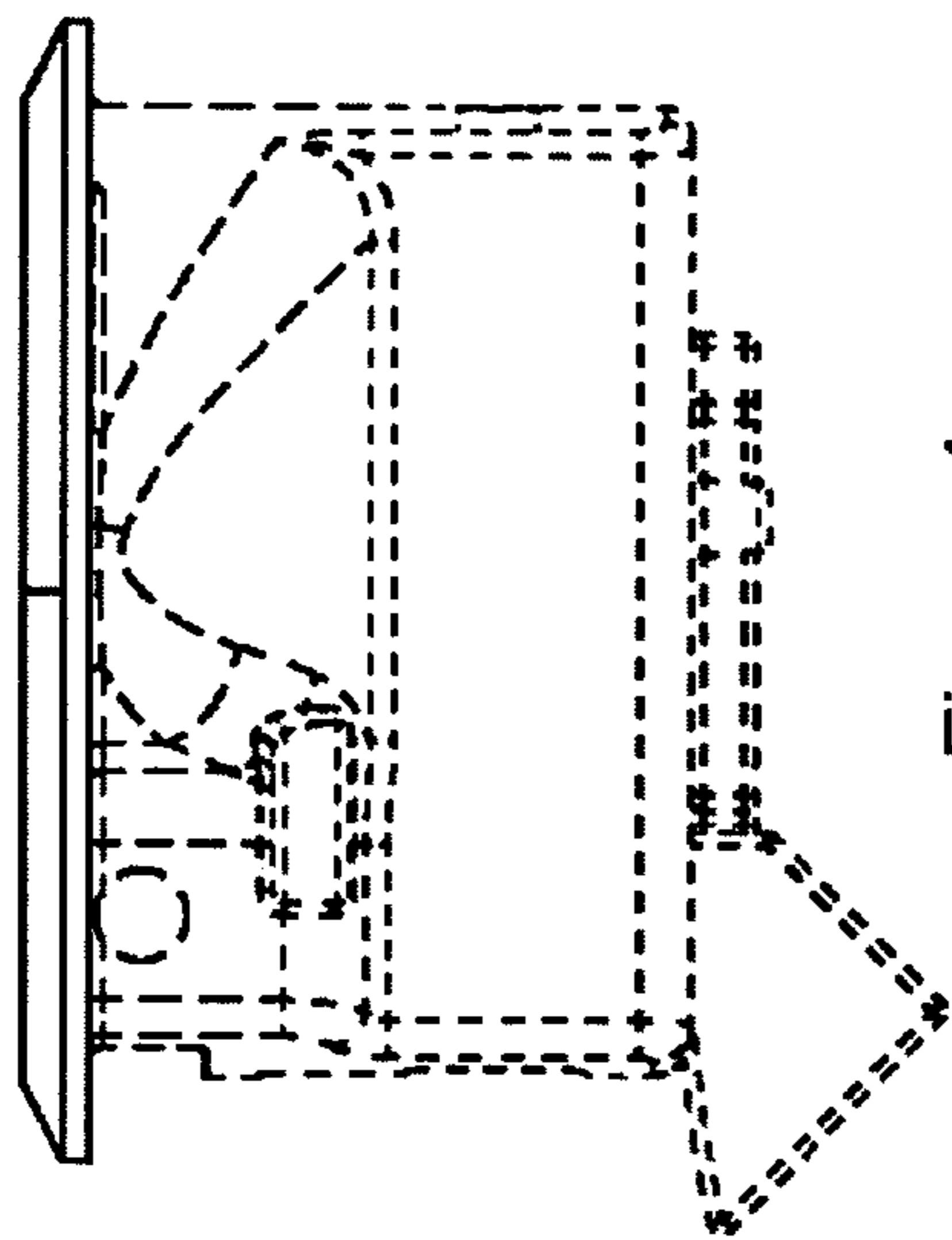


Figure 4

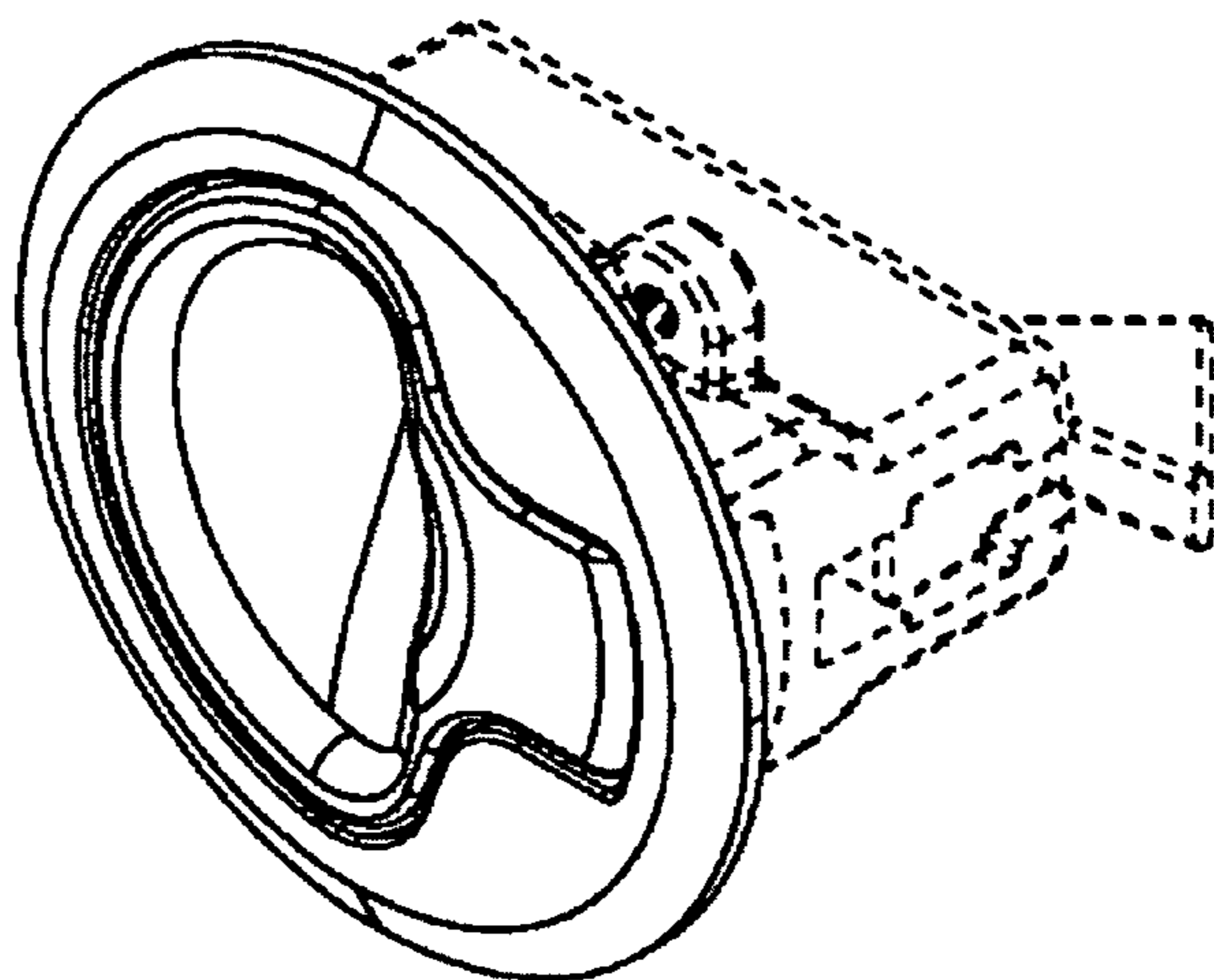


Figure 6

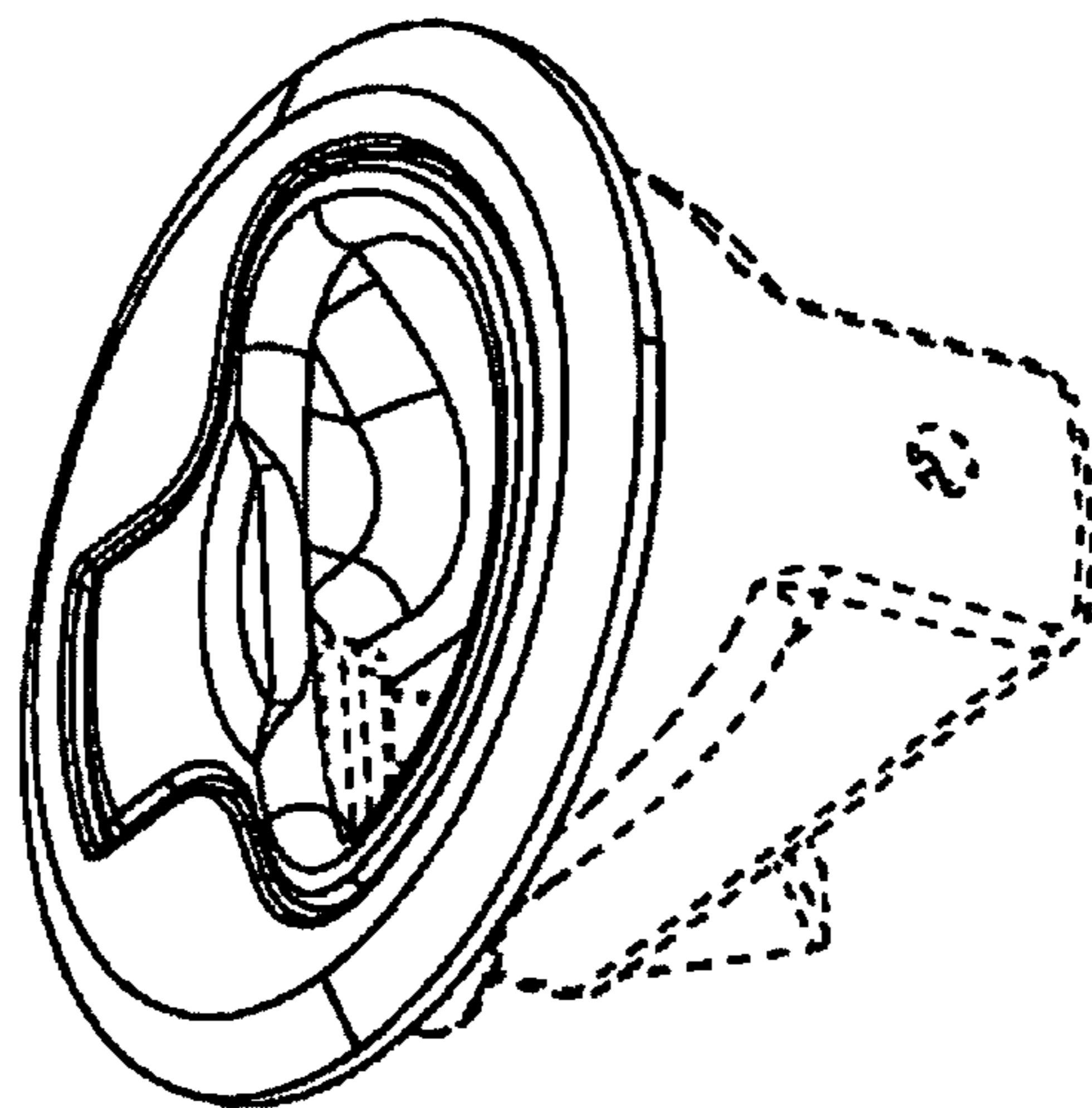


Figure 5