



US00D596915S

(12) **United States Design Patent**  
**Garcia et al.**

(10) **Patent No.:** **US D596,915 S**  
(45) **Date of Patent:** **\*\* Jul. 28, 2009**

(54) **CUTTING DEVICE**

(75) Inventors: **Michael Garcia**, Oakland Park, FL  
(US); **Glenn Robinson**, Coral Springs,  
FL (US)

(73) Assignee: **IBT Holdings, LLC**, Deerfield Beach,  
FL (US)

(\*\*) Term: **14 Years**

(21) Appl. No.: **29/308,925**

(22) Filed: **Jul. 17, 2008**

(51) **LOC (9) Cl.** ..... **08-03**

(52) **U.S. Cl.** ..... **D8/99**

(58) **Field of Classification Search** ..... D8/98,  
D8/99; 30/162, 320, 335, 336, 337, 125  
See application file for complete search history.

(56) **References Cited**

**U.S. PATENT DOCUMENTS**

5,502,896	A	*	4/1996	Chen	.....	30/162
D386,959	S	*	12/1997	Okada	.....	D8/99
D398,829	S	*	9/1998	Okada	.....	D8/99
D399,114	S	*	10/1998	Okada	.....	D8/99
D442,054	S	*	5/2001	Okada et al.	.....	D8/99
D453,673	S	*	2/2002	Chen	.....	D8/99
D459,189	S	*	6/2002	Chong	.....	D8/99

D464,245	S	*	10/2002	Jacquet	.....	D8/99
D499,948	S	*	12/2004	Kondo et al.	.....	D8/99
D517,894	S	*	3/2006	Kondo et al.	.....	D8/99
D553,936	S	*	10/2007	Takamasa	.....	D8/99
D565,919	S	*	4/2008	Kondo et al.	.....	D8/99

\* cited by examiner

*Primary Examiner*—Philip S Hyder

(74) *Attorney, Agent, or Firm*—Dan De La Rosa

(57) **CLAIM**

The ornamental design for a cutting device, as shown and described.

**DESCRIPTION**

FIG. 1 is a front perspective view of the cutting device of the present invention;

FIG. 2 is a right side elevational view thereof;

FIG. 3 is a left side elevational view thereof;

FIG. 4 is a top plan view thereof;

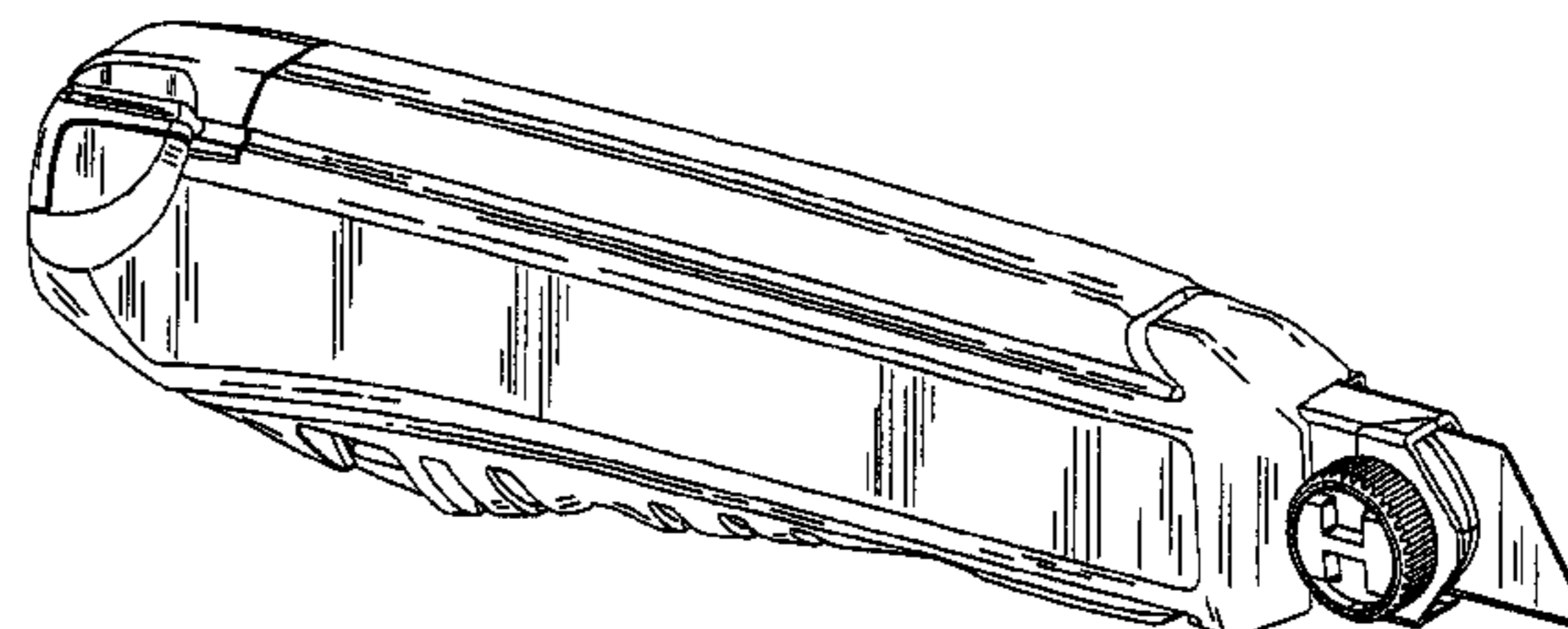
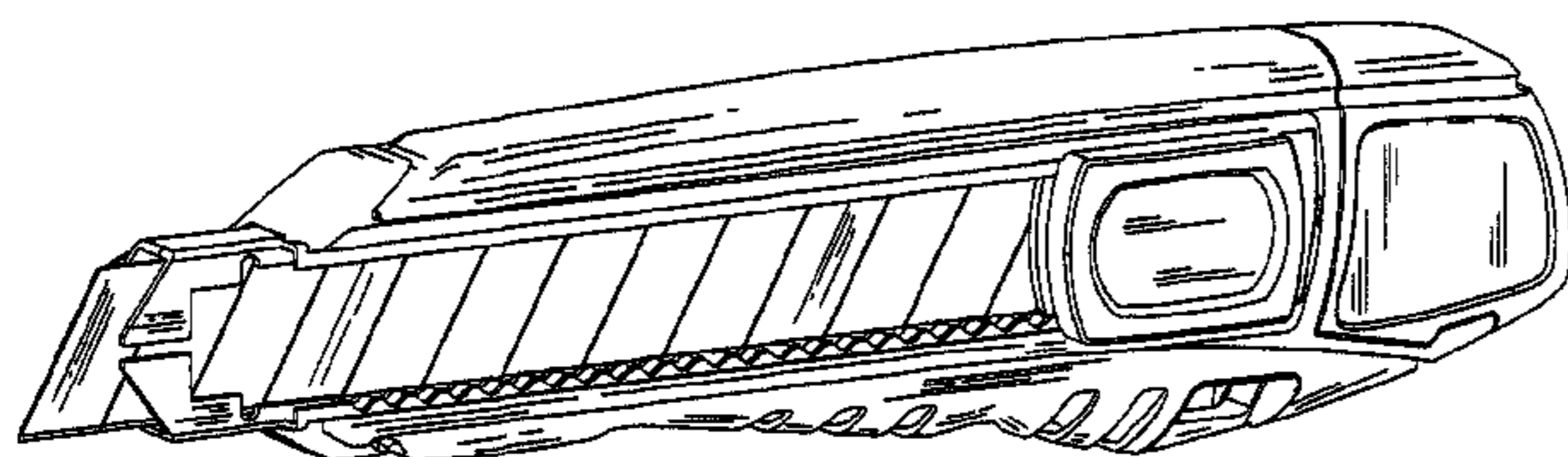
FIG. 5 is a bottom plan view thereof;

FIG. 6 is a front elevational view thereof;

FIG. 7 is a rear elevational view thereof; and,

FIG. 8 is a rear perspective view of the cutting device.

**1 Claim, 5 Drawing Sheets**



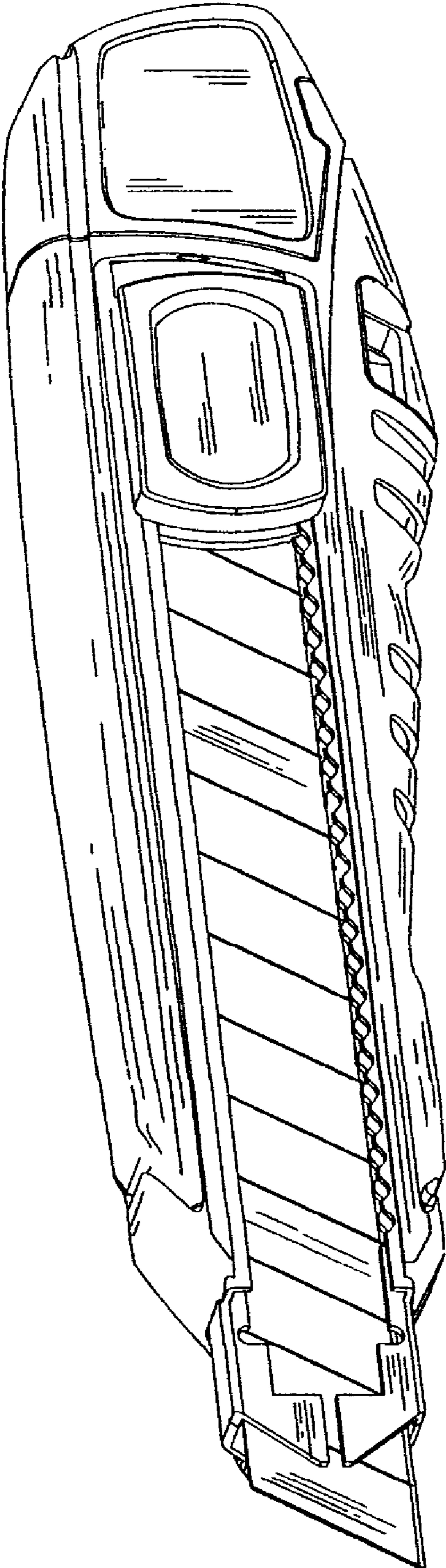


Fig. 1

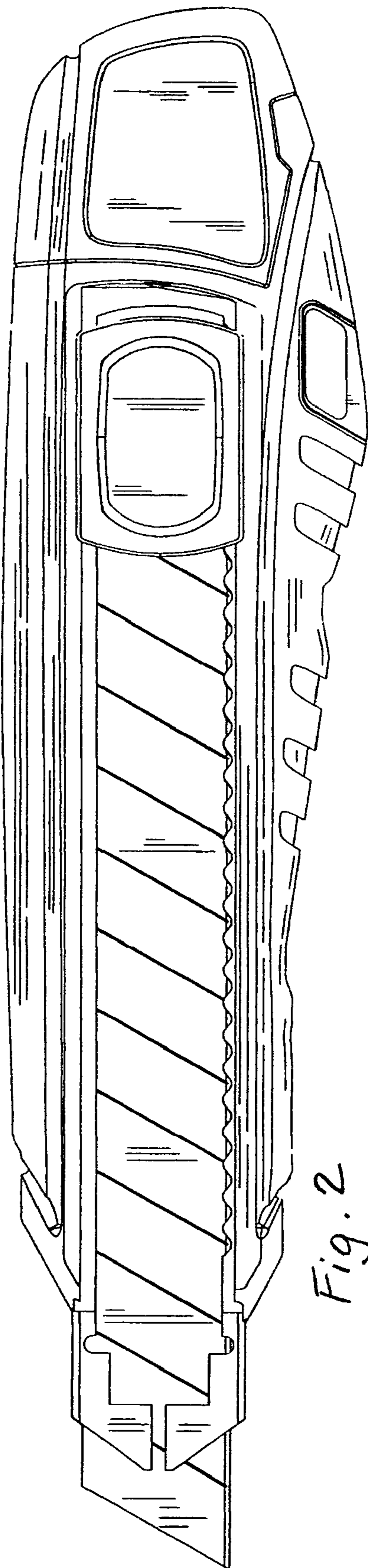


Fig. 2

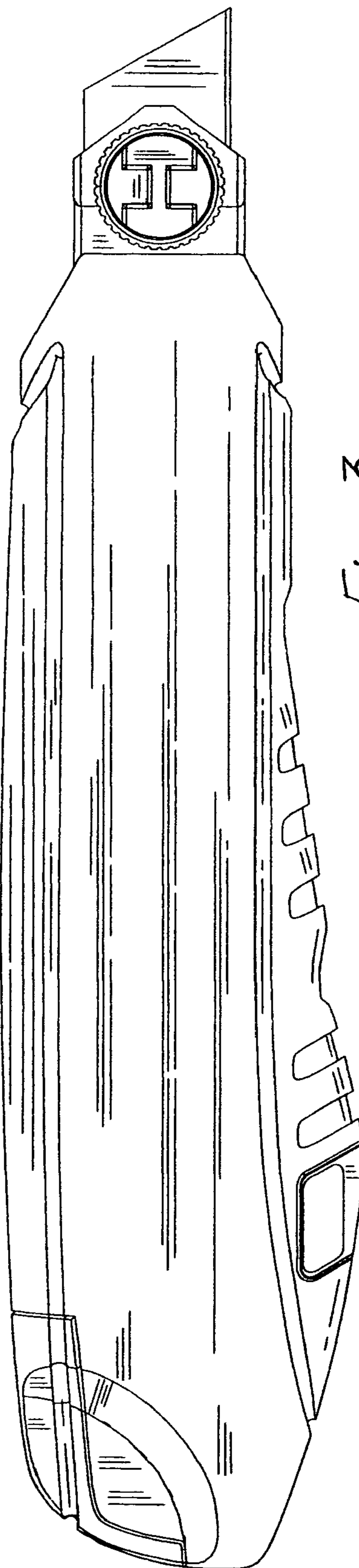


Fig. 3

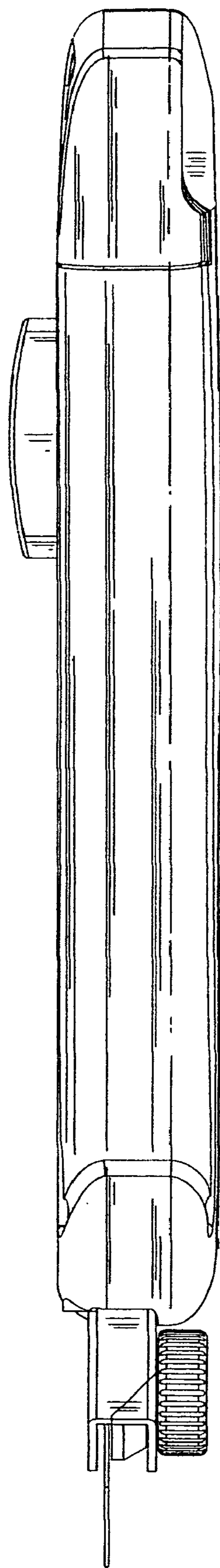


Fig. 4

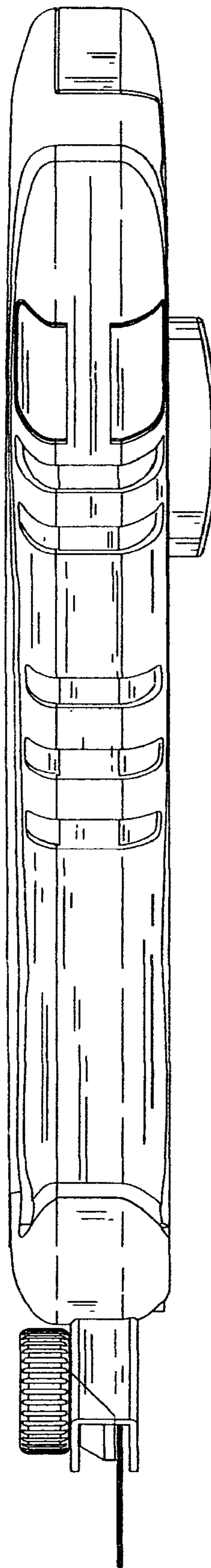


Fig. 5



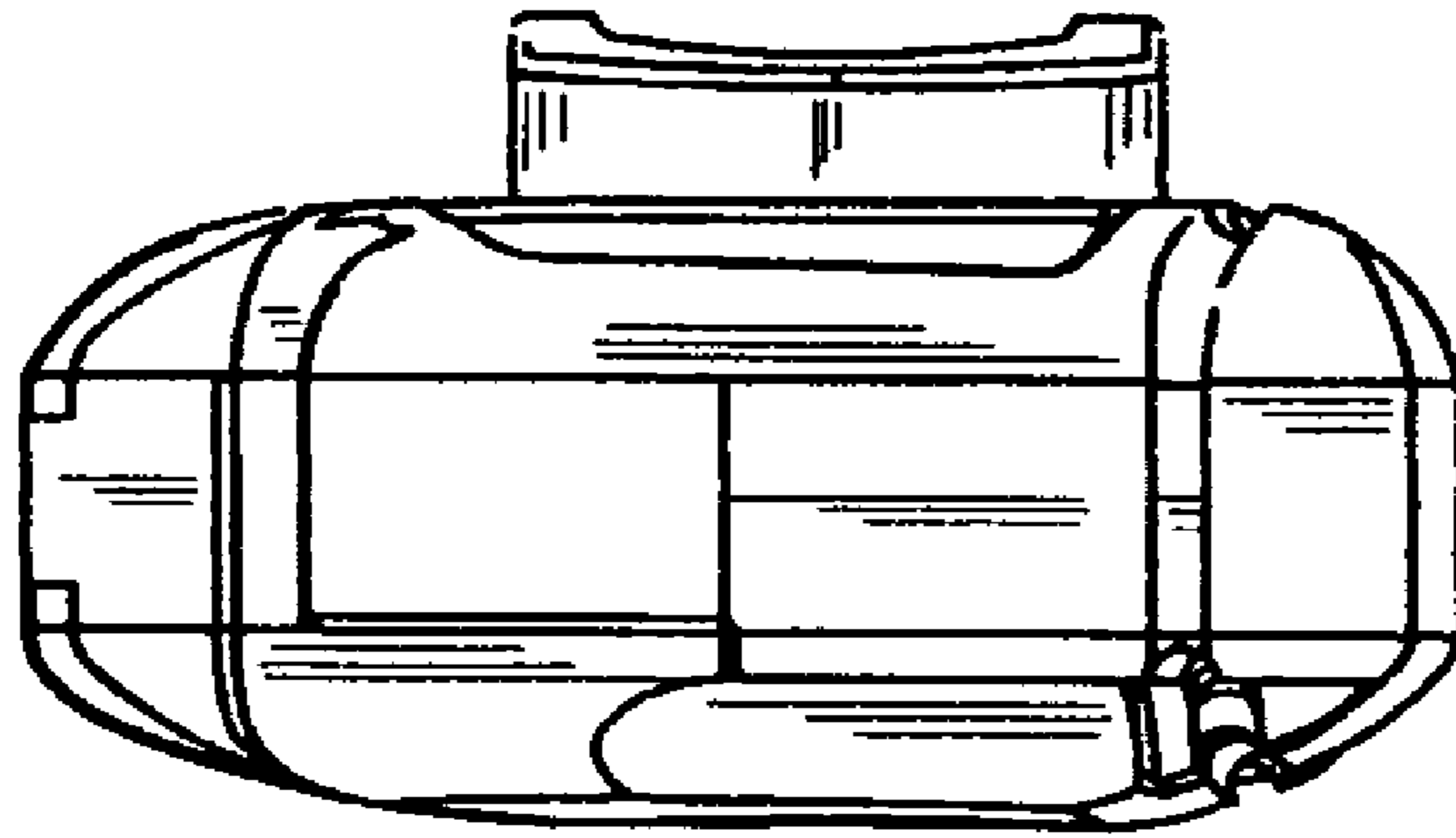


Fig. 7

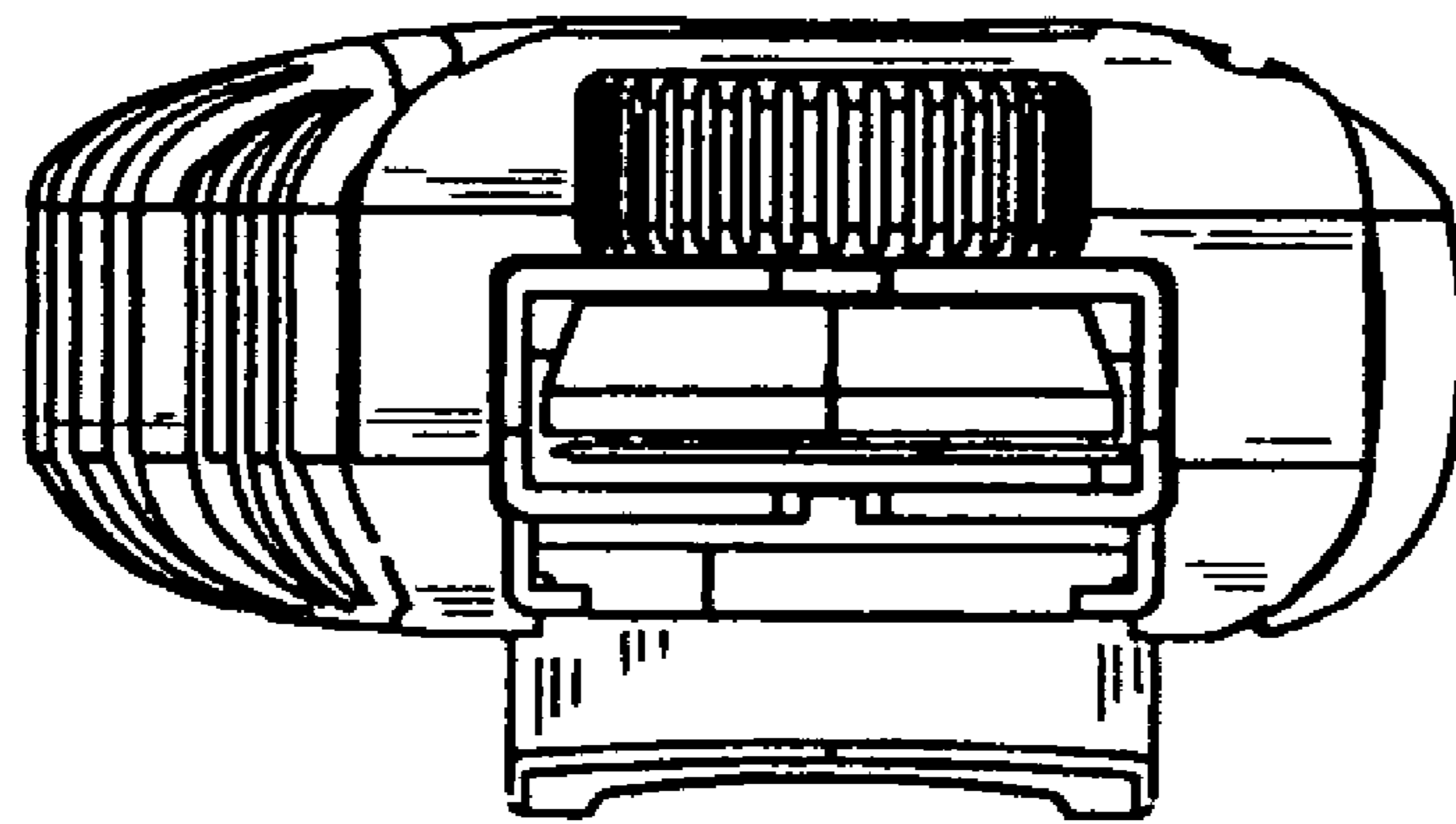


Fig. 6

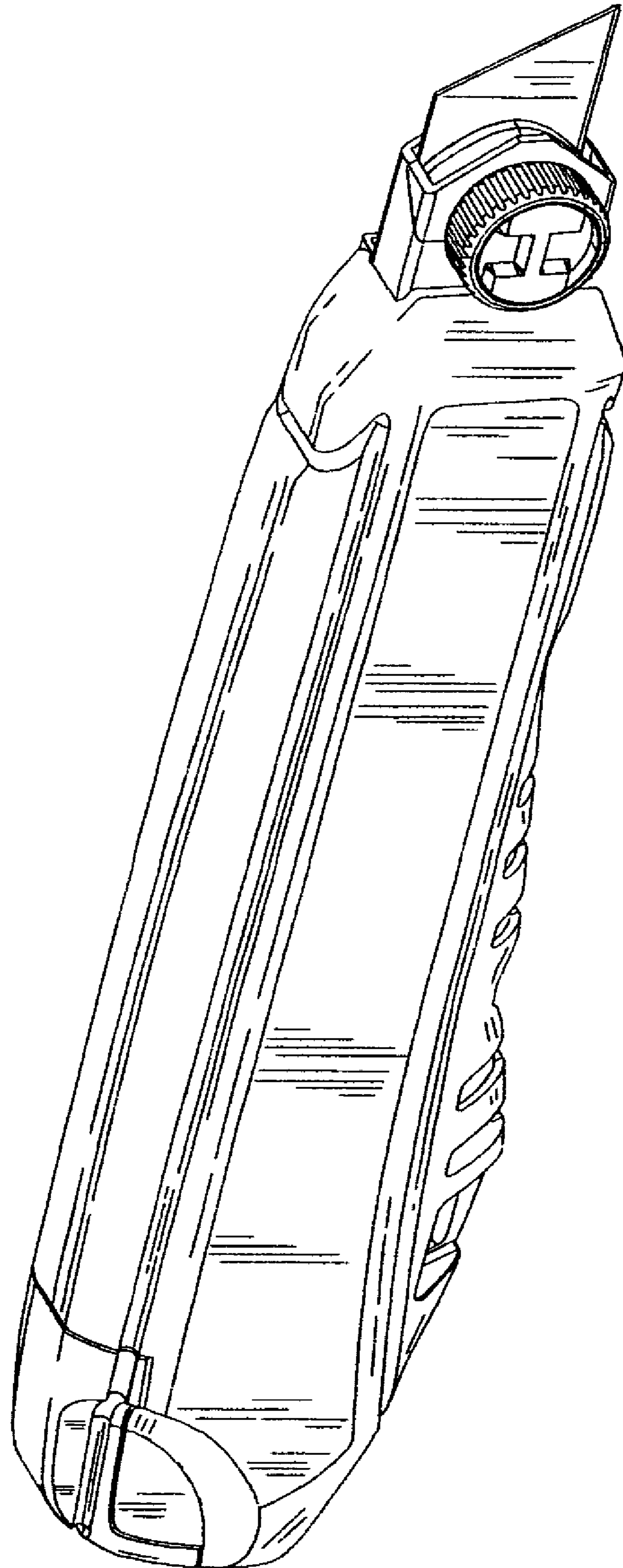


Fig. 8