

US00D596914S

(12) **United States Design Patent**  
**Huang**

(10) **Patent No.:** **US D596,914 S**

(45) **Date of Patent:** **\*\* Jul. 28, 2009**

(54) **UTILITY KNIFE**

(76) **Inventor:** **Yin Han Huang**, No. 4, Lane 342,  
Pengyi Road, Taiping, Taichung (TW)

(\*\*) **Term:** **14 Years**

(21) **Appl. No.:** **29/305,410**

(22) **Filed:** **Mar. 19, 2008**

(51) **LOC (9) Cl.** ..... **08-03**

(52) **U.S. Cl.** ..... **D8/99**

(58) **Field of Classification Search** ..... D8/98,  
D8/99, 107; D22/118; 30/155, 156, 157,  
30/158, 159, 160, 161, 329, 330, 331  
See application file for complete search history.

(56) **References Cited**

**U.S. PATENT DOCUMENTS**

6,688,003	B2 *	2/2004	Scarla	.....	30/156
D494,437	S *	8/2004	Scarla	.....	D8/99
6,915,577	B2 *	7/2005	Scala	.....	30/156
D516,403	S *	3/2006	Ping	.....	D8/99
D522,835	S *	6/2006	Ping	.....	D8/99
D526,878	S *	8/2006	Ping	.....	D8/99
D546,158	S *	7/2007	Ping	.....	D8/99

D568,136	S *	5/2008	Ping	.....	D8/99
D568,137	S *	5/2008	Hernandez, Jr.	.....	D8/99
D574,691	S *	8/2008	Ping	.....	D8/99

\* cited by examiner

*Primary Examiner*—Philip S Hyder

(57) **CLAIM**

The ornamental design for a utility knife, as shown.

**DESCRIPTION**

FIG. 1 is a perspective view of a utility knife showing my new design;

FIG. 2 is a front end view thereof;

FIG. 3 is a rear end view thereof;

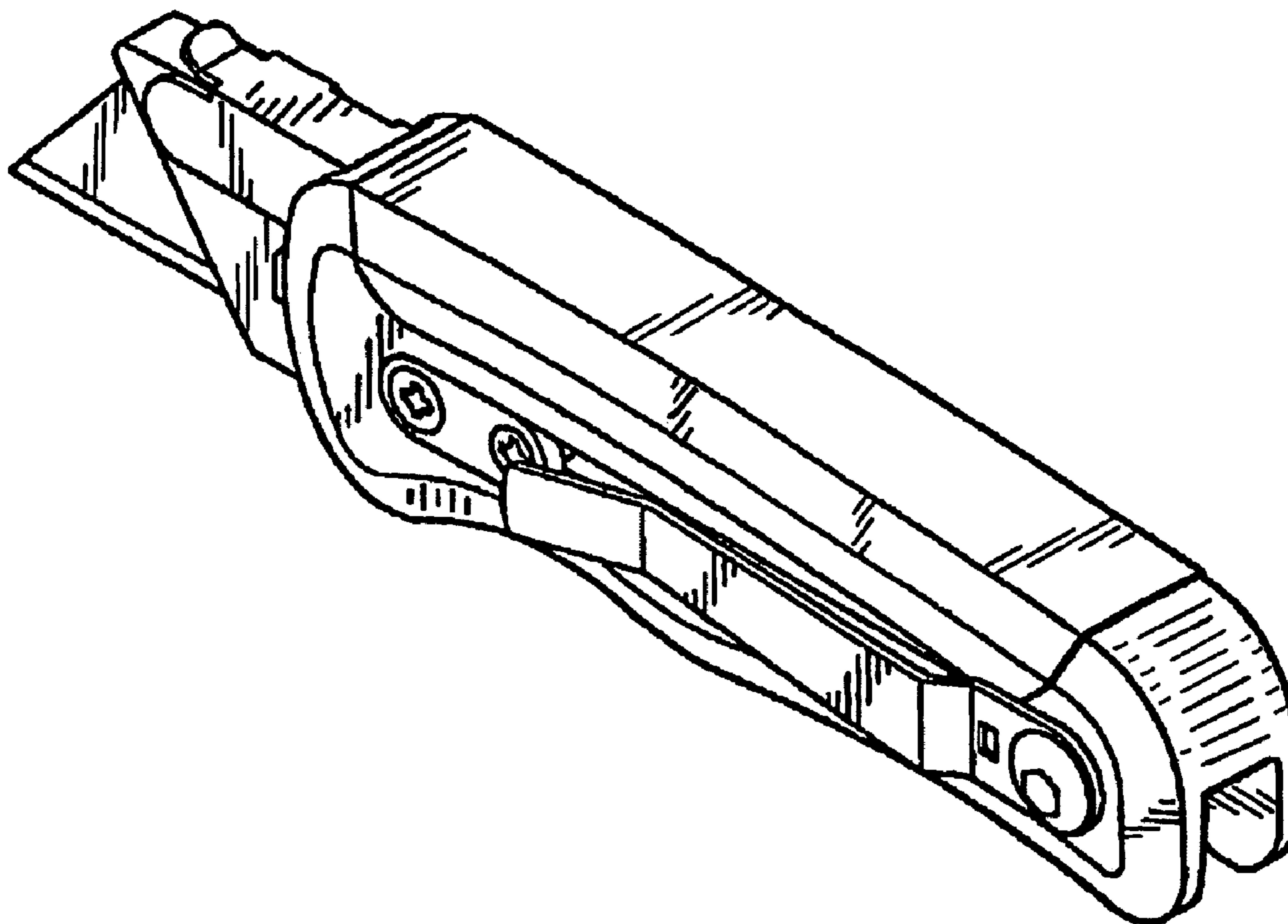
FIG. 4 is a right side view thereof;

FIG. 5 is a top plan view thereof; and,

FIG. 6 is another perspective view of the utility knife with the blade being extended therefrom.

The broken lines illustrate portions of the design that form no part of the claimed design.

**1 Claim, 4 Drawing Sheets**



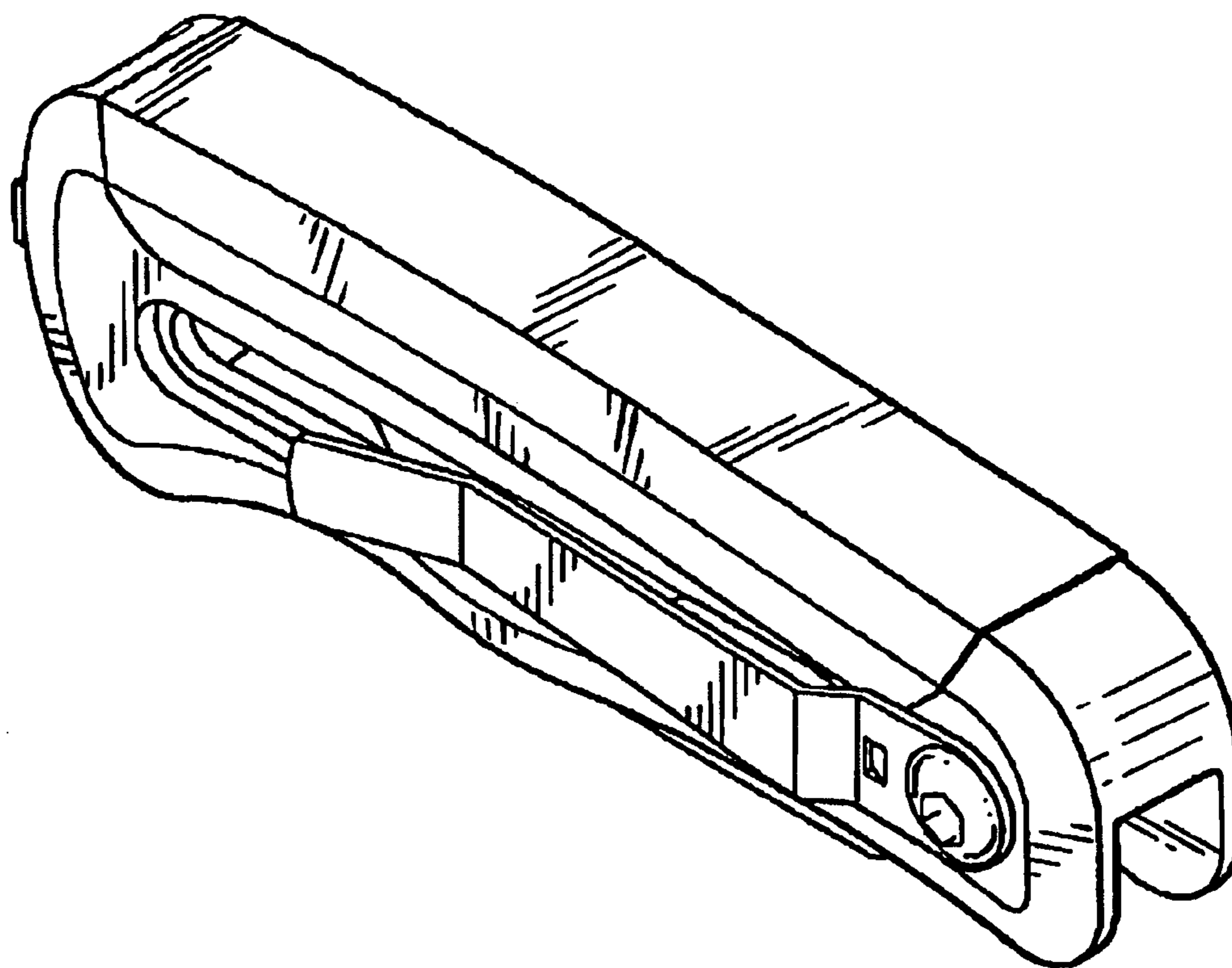


FIG. 1

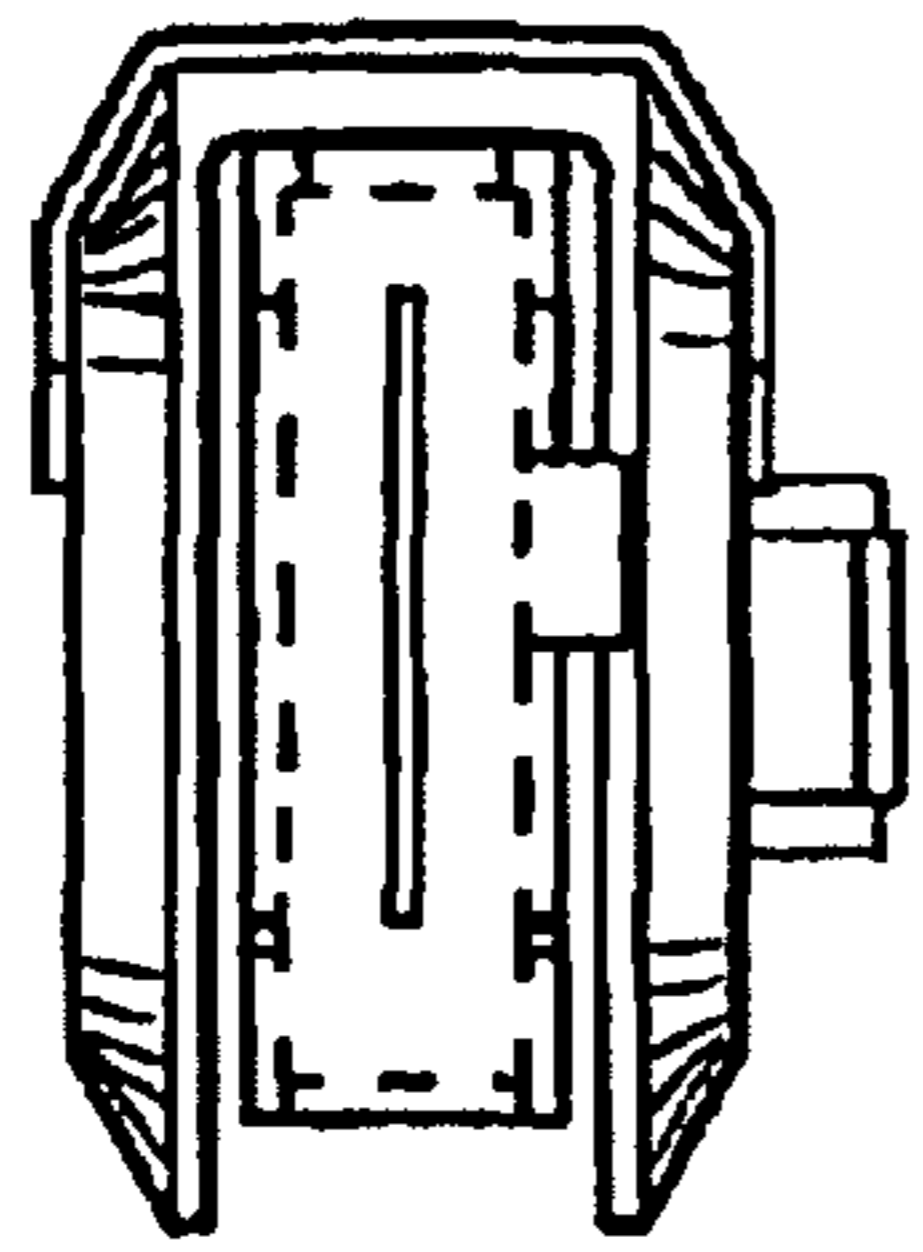


FIG. 2

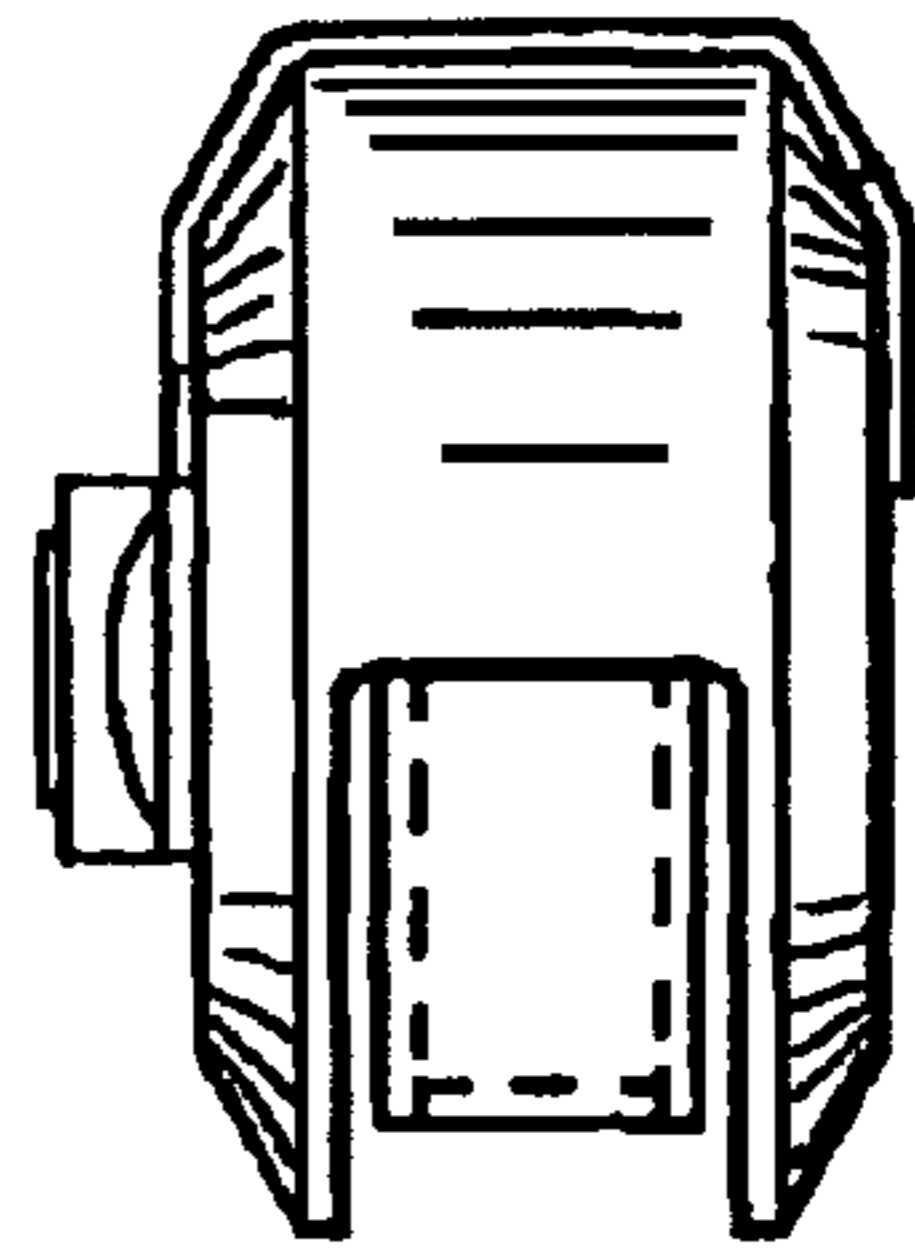


FIG. 3

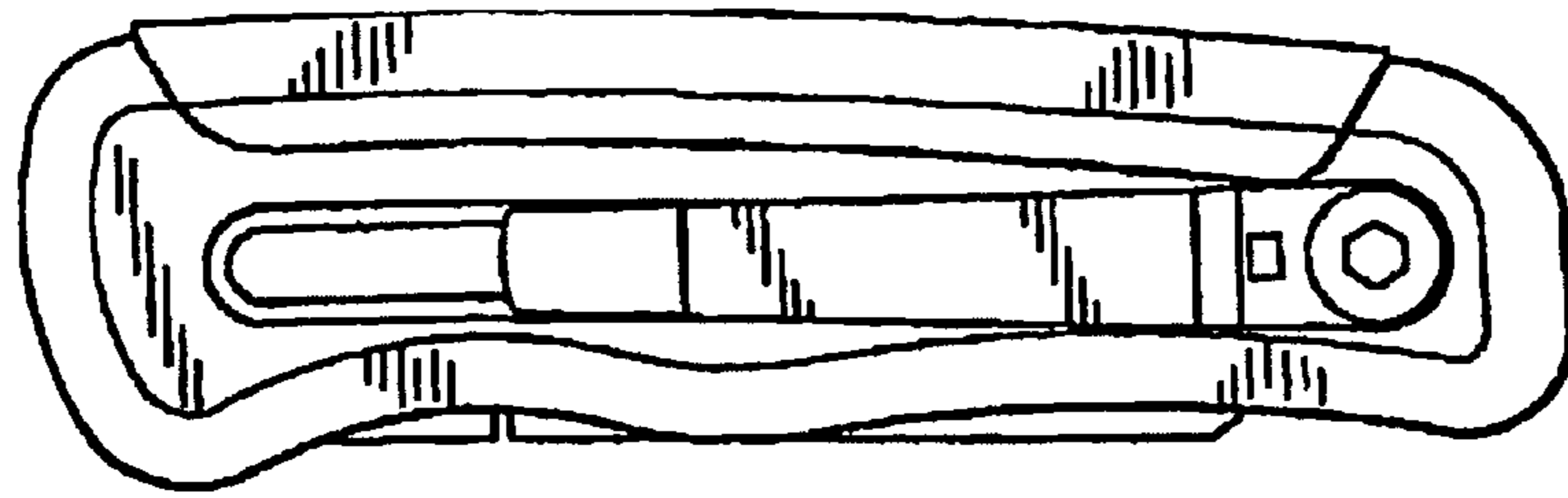


FIG. 4

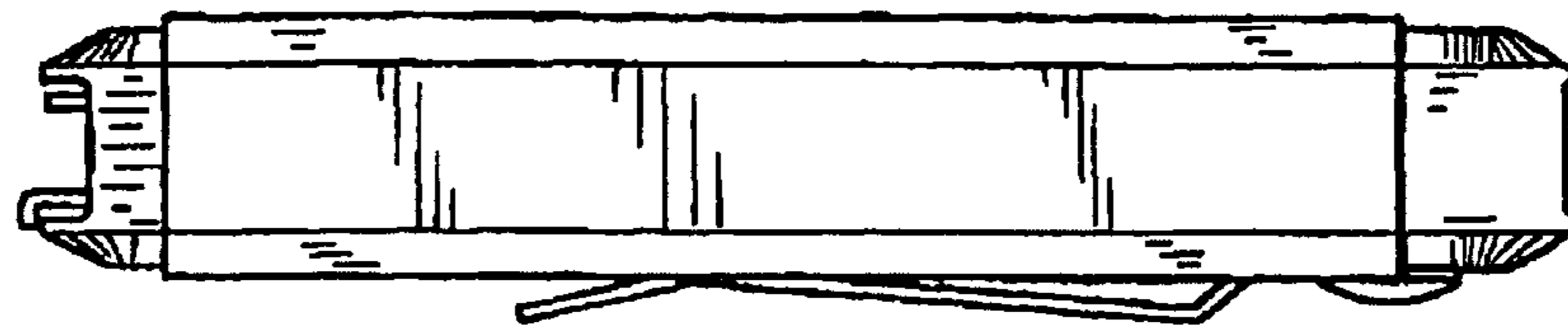


FIG. 5

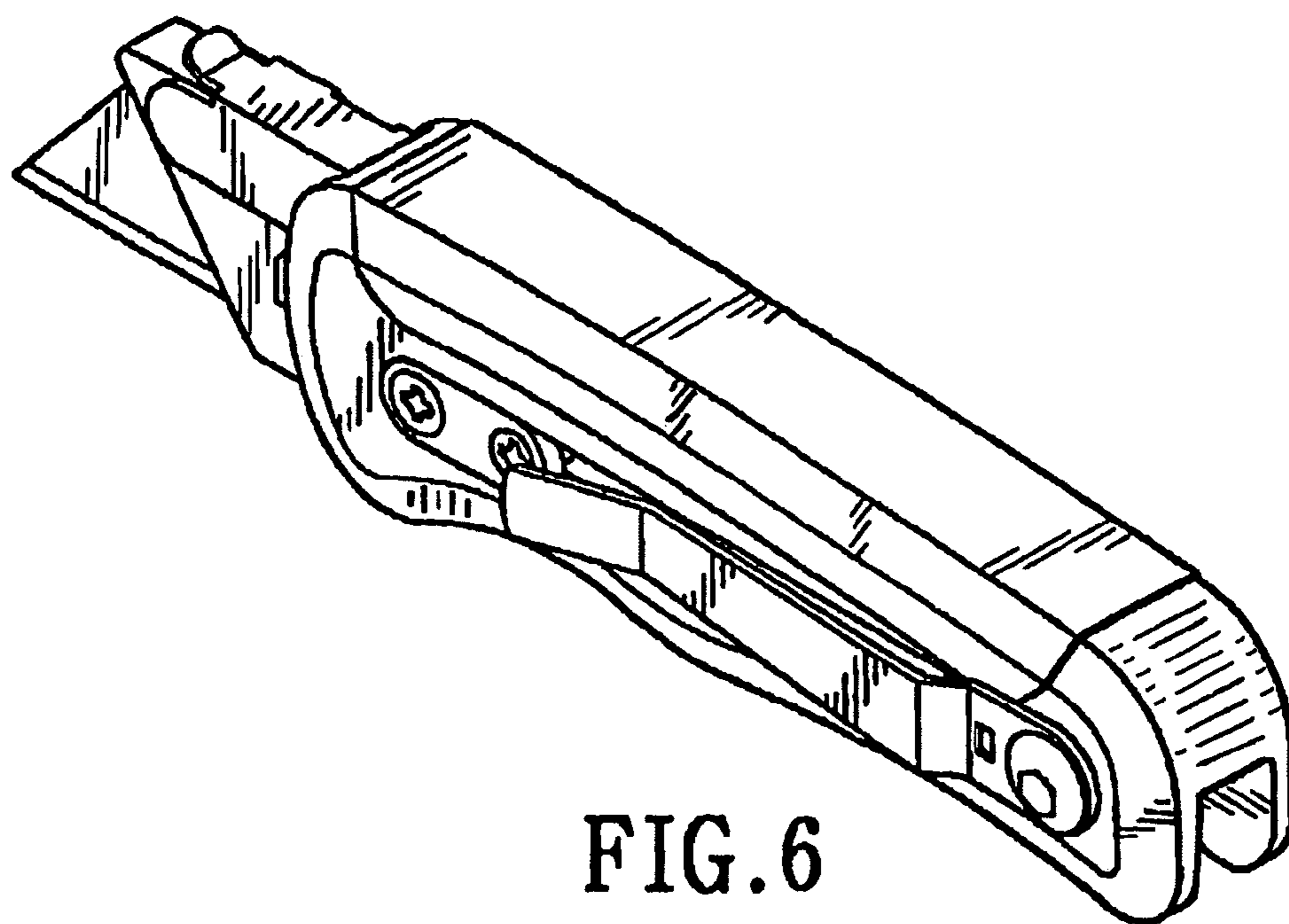


FIG. 6