



US00D596913S

(12) **United States Design Patent**
Anderson et al.

(10) **Patent No.:** **US D596,913 S**
(45) **Date of Patent:** **** Jul. 28, 2009**

(54) **ADJUSTABLE WRECKING BAR**

(75) Inventors: **Alan D. Anderson**, Willow Spring, NC (US); **Bob Thompson**, Fuquay Varina, NC (US)

(73) Assignee: **Cooper Brands, Inc.**, Houston, TX (US)

(**) Term: **14 Years**

(21) Appl. No.: **29/318,373**

(22) Filed: **May 19, 2008**

(51) **LOC (9) Cl.** **08-05**

(52) **U.S. Cl.** **D8/89**

(58) **Field of Classification Search** D8/14,
D8/88, 89; 254/18, 21, 25, 129, 130, 131;
7/166; 30/137

See application file for complete search history.

(56) **References Cited**

U.S. PATENT DOCUMENTS

1,486,820	A *	3/1924	Wilder	254/25
1,508,489	A *	9/1924	Vlcek	254/25
2,210,602	A *	8/1940	Scott	254/131
5,957,429	A *	9/1999	Khachatoorian	254/25
D442,840	S *	5/2001	Waddell	D8/89
6,257,553	B1 *	7/2001	Khachatoorian	254/25
6,308,934	B1 *	10/2001	Gallo	254/25
6,488,266	B2 *	12/2002	Macor	254/25
D493,086	S *	7/2004	Taylor et al.	D8/89
6,948,700	B2	9/2005	Wood		
D568,124	S *	5/2008	Stevens, Sr.	D8/14
7,503,545	B2 *	3/2009	Verbowski	254/25

OTHER PUBLICATIONS

Dead-On Tools, Annihilator, www.deadonstore.com, available as early as Feb. 22, 2008.

The Gutster LLC, The Gutster™ Demo Bar Series I, www.thegutster.com, available as early as Feb. 20, 2008.

Danaher Tool Group, GearWrench®, www.gearwrench.com, available as early as Jun. 16, 2008.

* cited by examiner

Primary Examiner—Philip S Hyder

(74) *Attorney, Agent, or Firm*—SAIDMAN DesignLaw Group

(57) **CLAIM**

The ornamental design for an adjustable wrecking bar, as shown and described.

DESCRIPTION

FIG. 1 is a side perspective view of an adjustable wrecking bar showing our new design;

FIG. 2 is a top view thereof, showing our design in a retracted position;

FIG. 3 is a bottom view thereof;

FIG. 4 is a left-side view thereof;

FIG. 5 is a right-side view thereof;

FIG. 6 is a front view thereof;

FIG. 7 is a rear view thereof;

FIG. 8 is a top view thereof showing our design in an extended position;

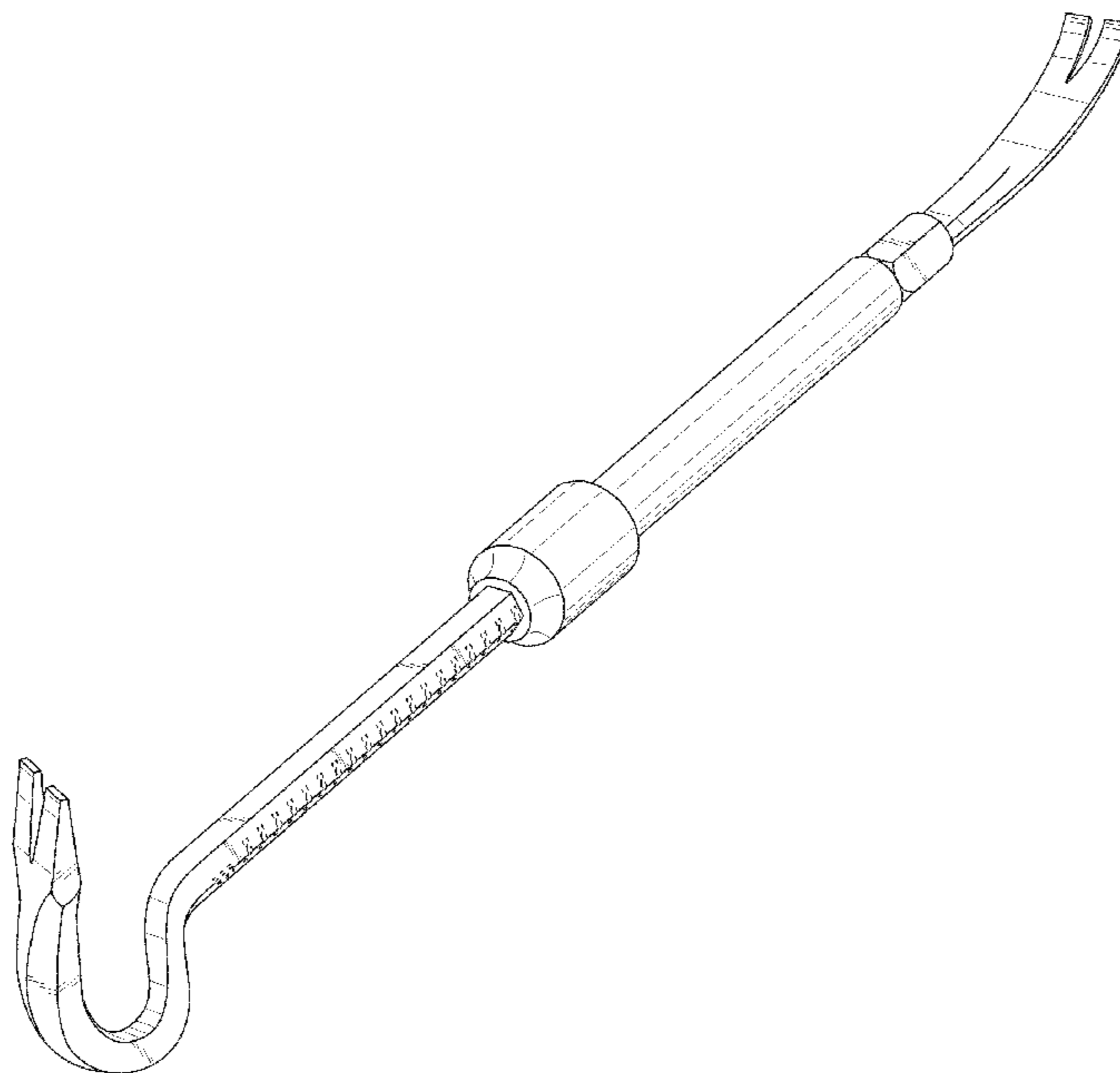
FIG. 9 is a bottom view thereof;

FIG. 10 is a left-side view thereof; and,

FIG. 11 is a right-side view thereof.

The dashed line showing of structural lines is included for the purpose of illustrating non-claimed subject matter and forms no part of the claimed design.

1 Claim, 6 Drawing Sheets



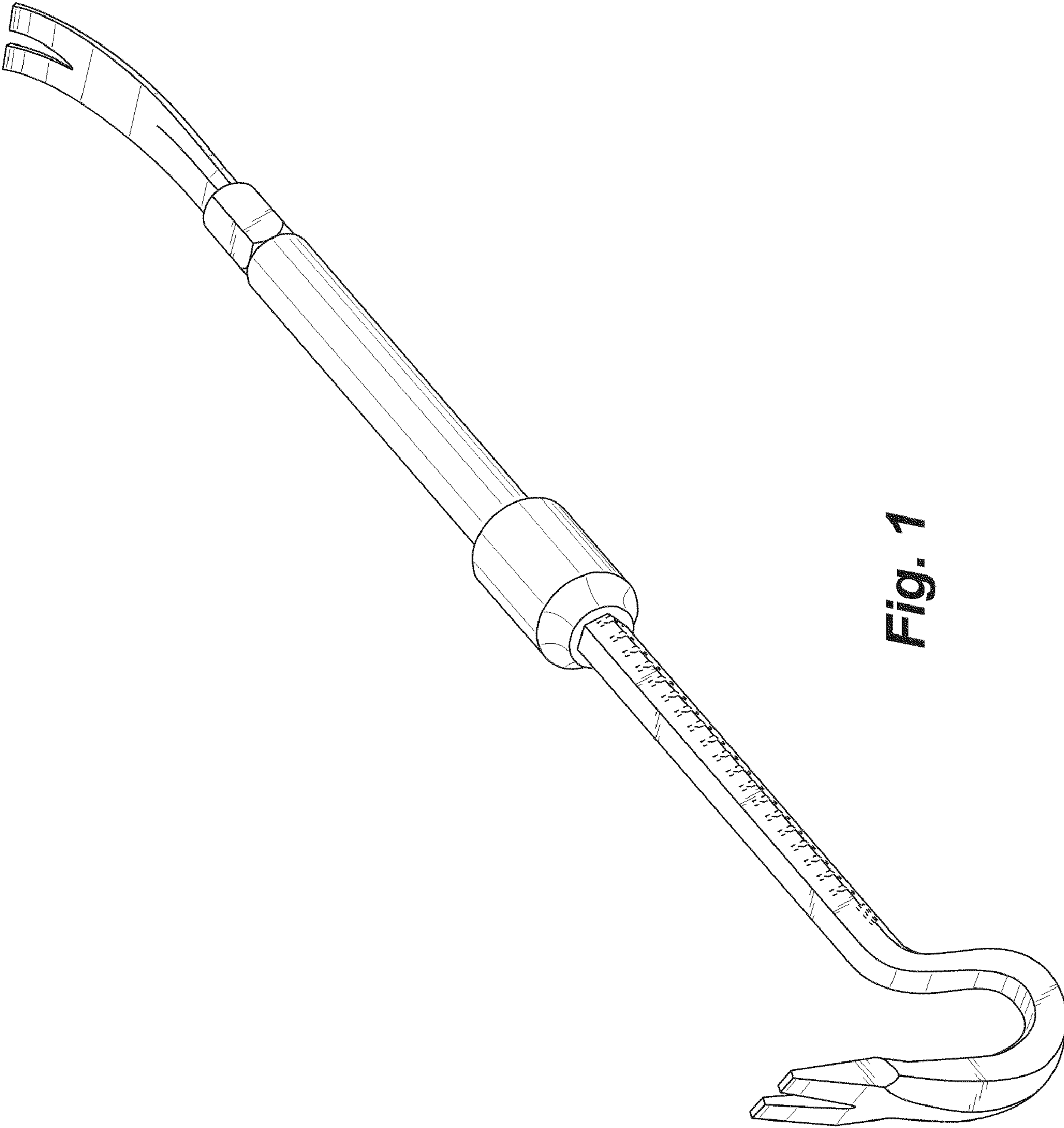


Fig. 1

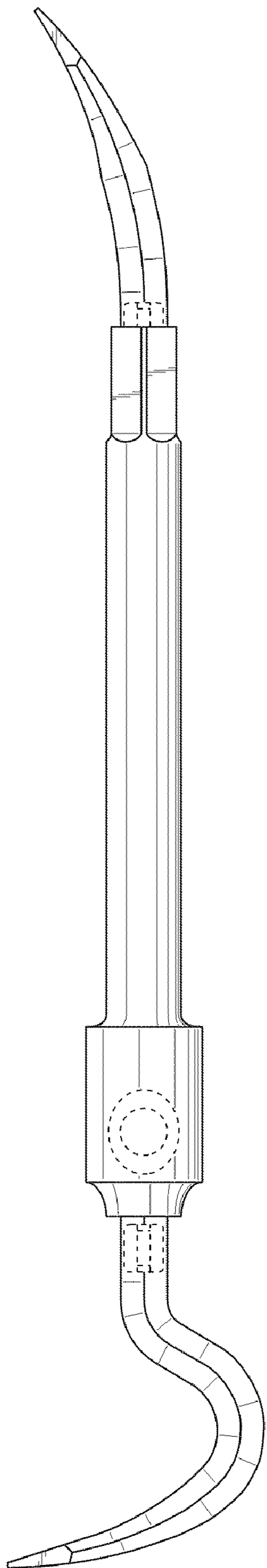


Fig. 2

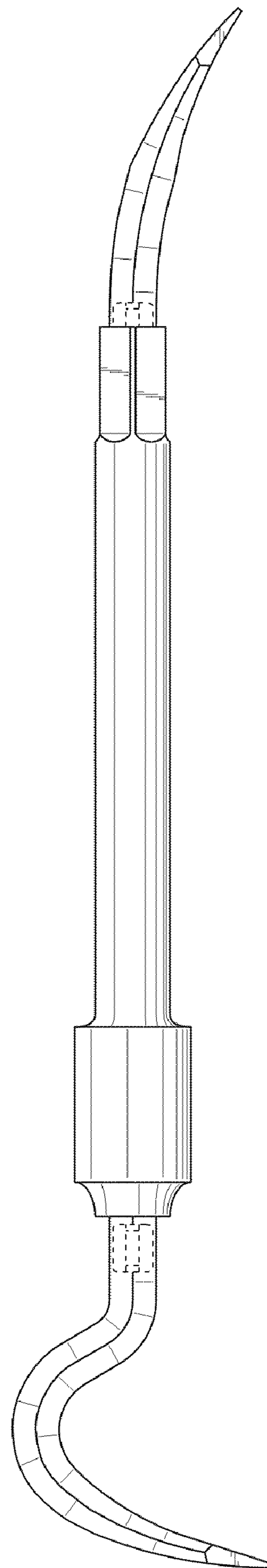


Fig. 3

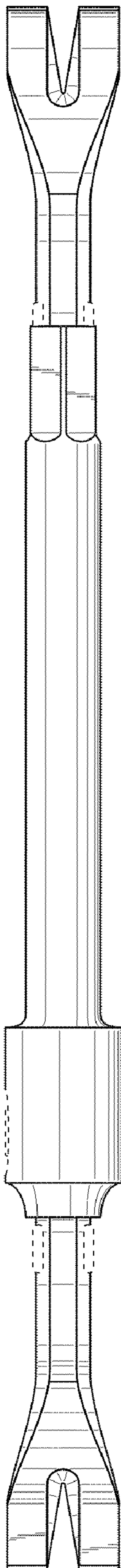


Fig. 4

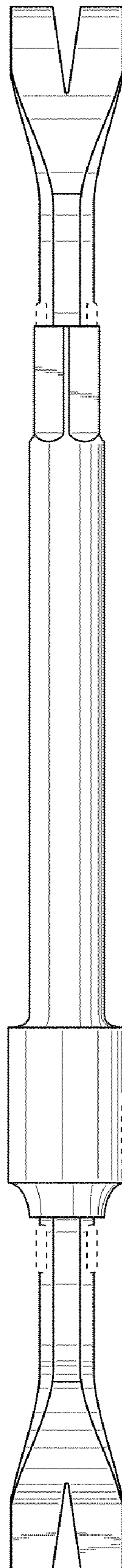


Fig. 5

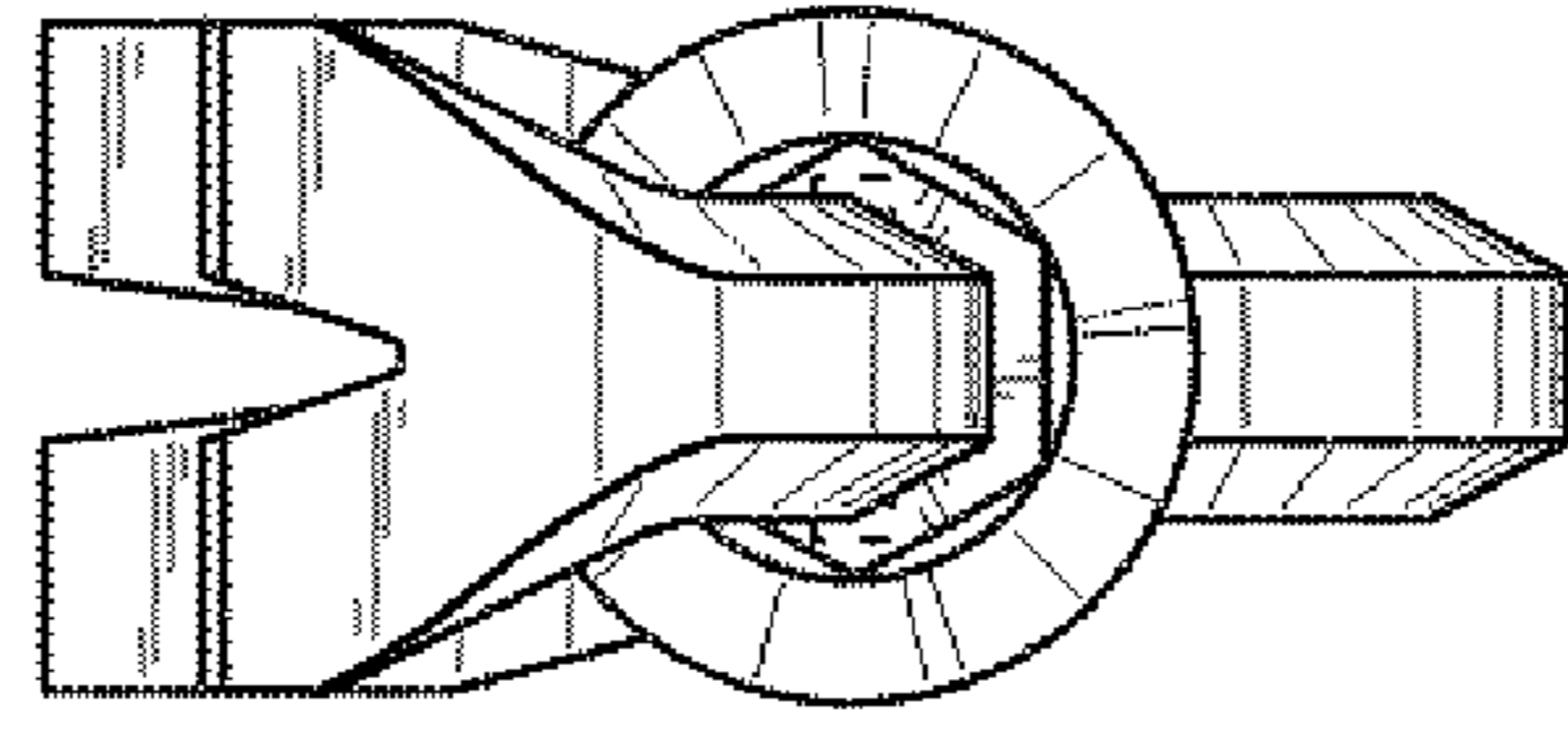


Fig. 7

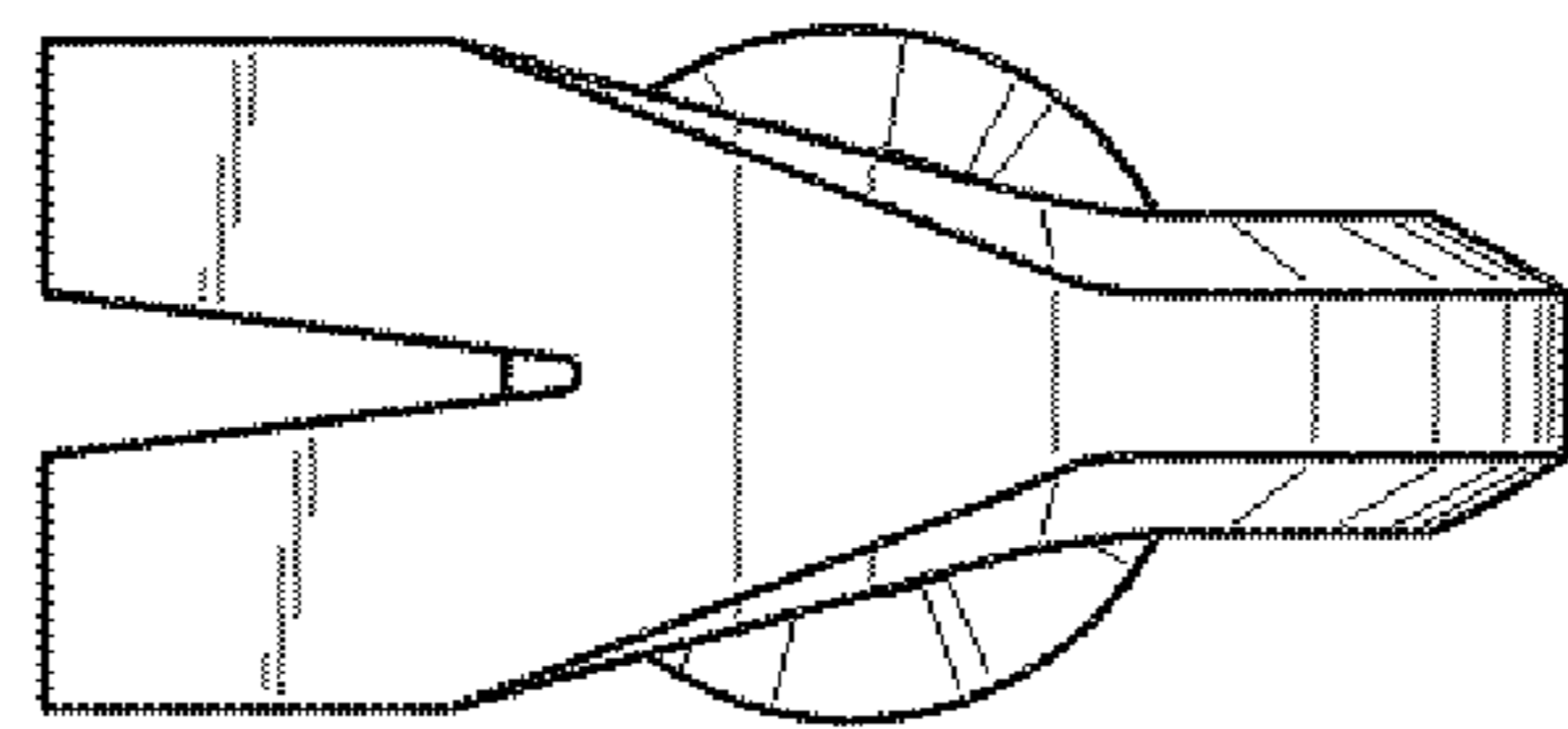


Fig. 6

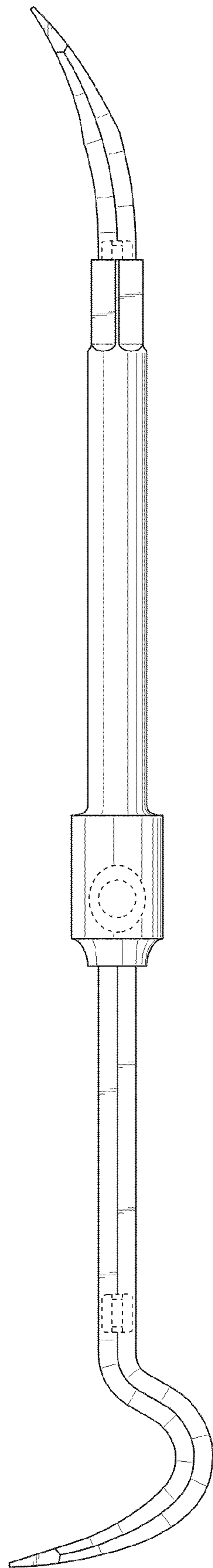


Fig. 8

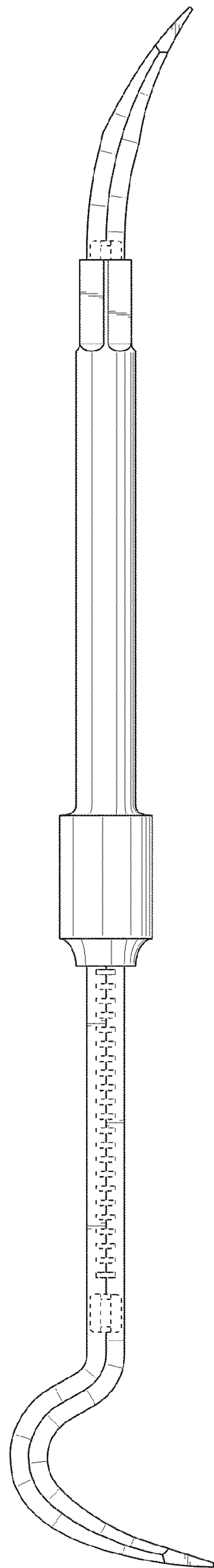


Fig. 9

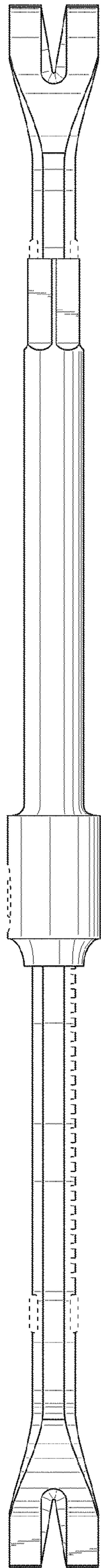


Fig. 10

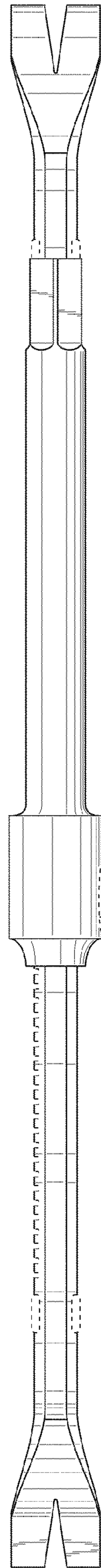


Fig. 11