



US00D596908S

(12) **United States Design Patent**  
**Clay et al.**

(10) **Patent No.:** **US D596,908 S**  
(45) **Date of Patent:** **\*\* Jul. 28, 2009**

(54) **WRENCH**

(75) Inventors: **Eric Russell Clay**, Valencia, CA (US);  
**Steven Richard Scott**, Belmont, CA  
(US)

(73) Assignee: **Motion Pro. Inc**, San Carlos, CA (US)

(\*\*) Term: **14 Years**

(21) Appl. No.: **29/326,150**

(22) Filed: **Oct. 13, 2008**

(51) **LOC (9) Cl.** ..... **08-05**

(52) **U.S. Cl.** ..... **D8/27**

(58) **Field of Classification Search** ..... D8/21-29;  
81/60, 177.1, 177.85, 121.1, 124.3, 165-170,  
81/110.1, 176.2, 124.6, 176.1, 176.15, 177.2;  
16/110.1; D15/144.1; 219/75, 227, 229,  
219/121.16, 121.18

See application file for complete search history.

(56) **References Cited**

U.S. PATENT DOCUMENTS

3,029,673	A *	4/1962	Mitchell	.....	D8/28
4,735,121	A *	4/1988	Coulson	.....	81/129
D388,296	S *	12/1997	Wei	.....	D8/28
D440,839	S *	4/2001	Lee	.....	D8/28
6,647,834	B2 *	11/2003	Hu	.....	81/119
2004/0020332	A1 *	2/2004	Hsieh	.....	81/186

\* cited by examiner

*Primary Examiner*—Philip S Hyder

*Assistant Examiner*—Randall H Gholson

(74) *Attorney, Agent, or Firm*—Patent Law Office of Larry  
Guernsey; Larry B. Guernsey

(57) **CLAIM**

The ornamental design for a wrench, as shown and described  
above.

**DESCRIPTION**

FIG. 1 is a top plan view of an ornamental design for a wrench  
of the present invention;

FIG. 2 is a right side plan view of an ornamental design for a  
wrench of the present invention;

FIG. 3 is a front plan view of an ornamental design for a  
wrench of the present invention;

FIG. 4 is a left side plan view of an ornamental design for a  
wrench of the present invention;

FIG. 5 is a rear plan view of an ornamental design for a  
wrench of the present invention;

FIG. 6 is a bottom plan view of an ornamental design for a  
wrench of the present invention;

FIG. 7 is a top isometric view of an ornamental design for a  
wrench of the present invention;

FIG. 8 is a second top isometric view of an ornamental design  
for a wrench of the present invention;

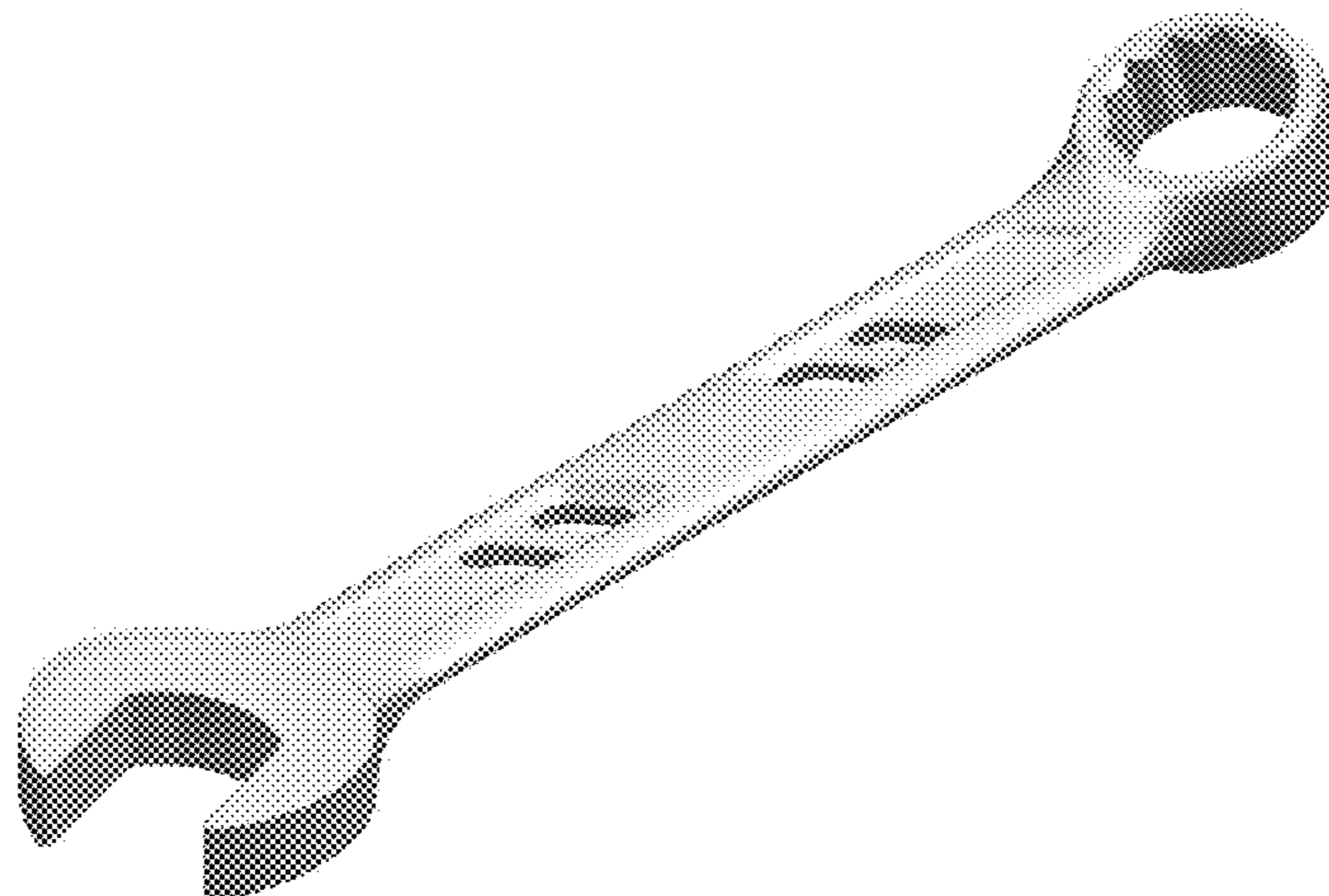
FIG. 9 is a top plan view of an alternate embodiment of an  
ornamental design for a wrench of the present invention as  
disclosed above with reference to FIG. 1, the difference being  
the number of holes included in the handle portion;

FIG. 10 is a bottom plan view of an alternate embodiment of  
an ornamental design for a wrench of the present invention as  
disclosed above with reference to FIG. 6, the difference being  
the number of holes included in the handle portion;

FIG. 11 is a top isometric view of an alternate embodiment of  
an ornamental design for a wrench of the present invention as  
disclosed above with reference to FIG. 7, the difference being  
the number of holes included in the handle portion; and,

FIG. 12 is a second top isometric view of an alternate embodi-  
ment of an ornamental design for a wrench of the present  
invention as disclosed above with reference to FIG. 8, the  
difference being the number of holes included in the handle  
portion.

**1 Claim, 12 Drawing Sheets**



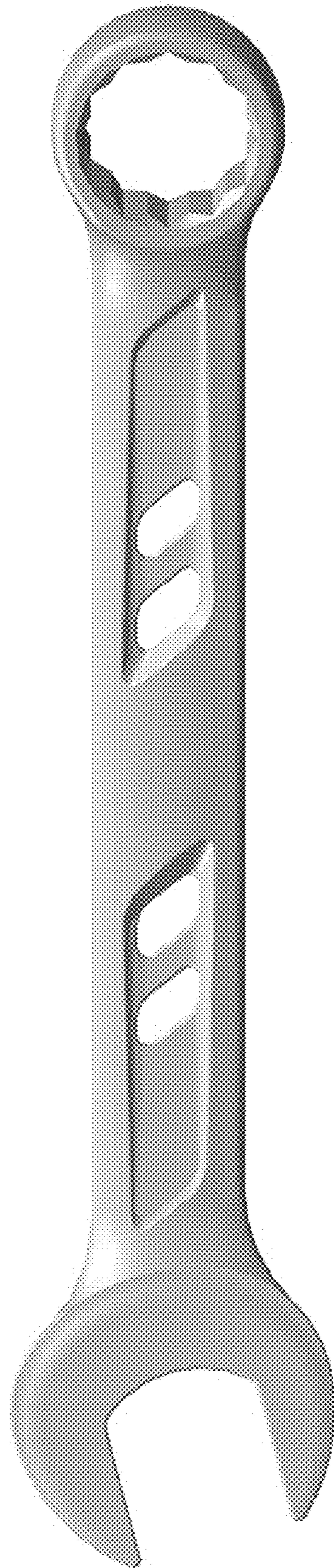


FIGURE 1

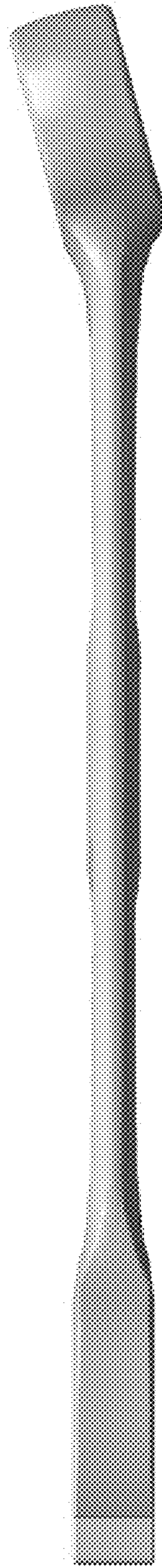


FIGURE 2

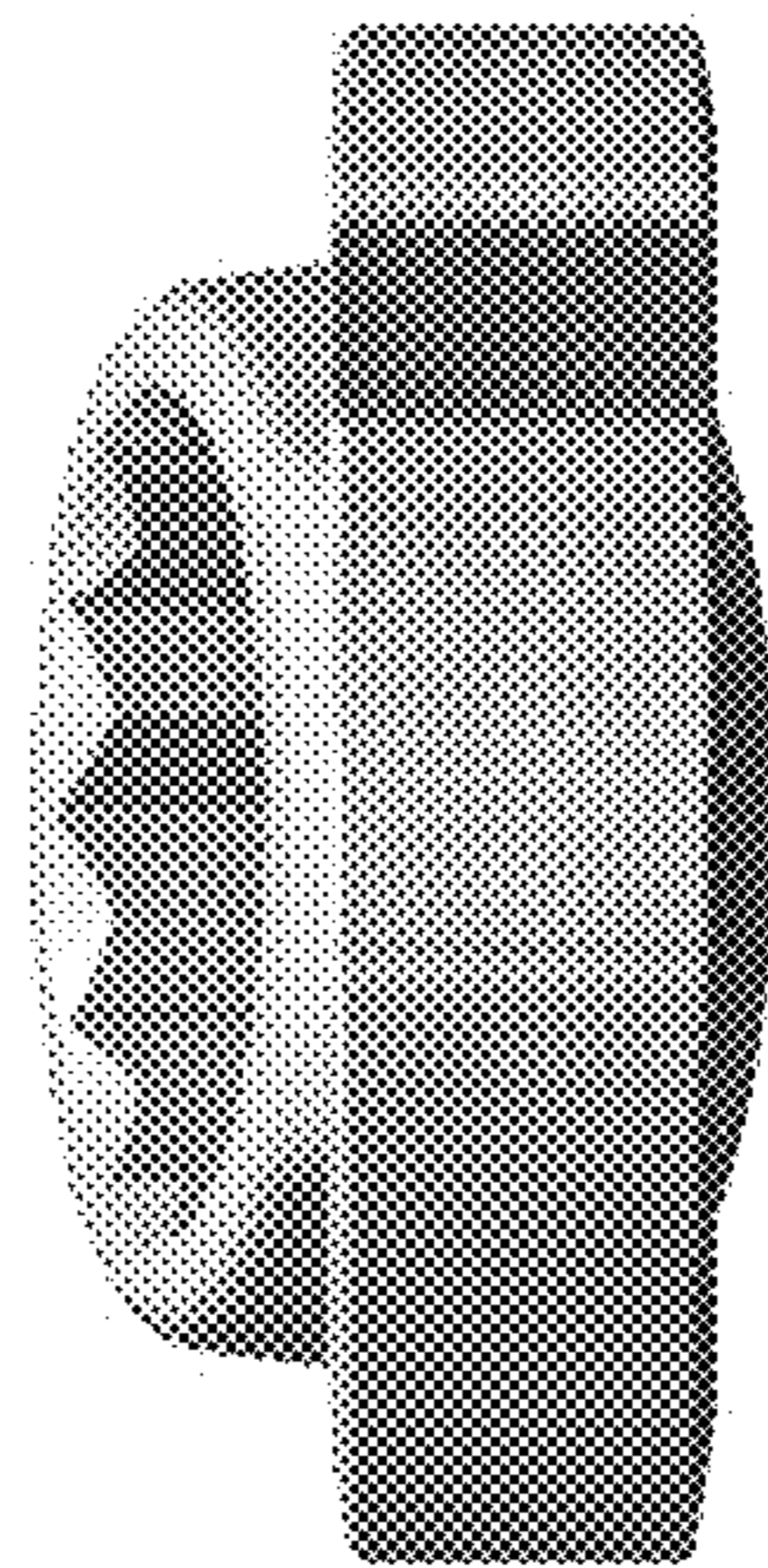


FIGURE 3

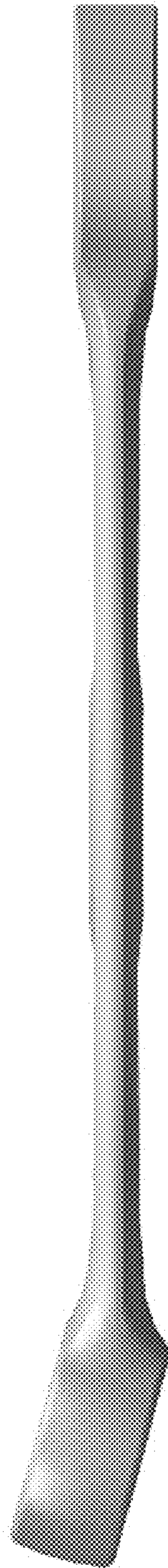


FIGURE 4

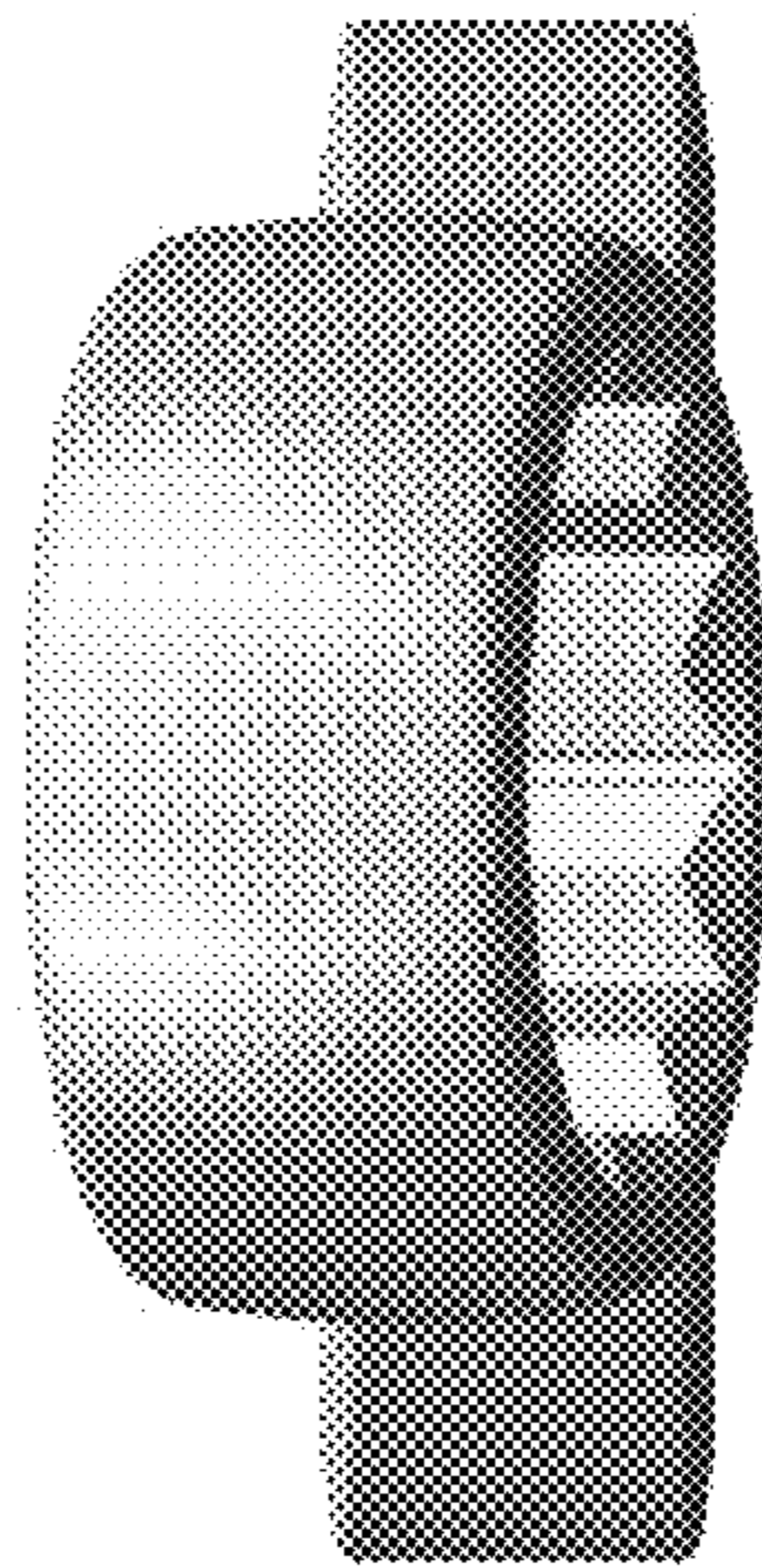


FIGURE 5

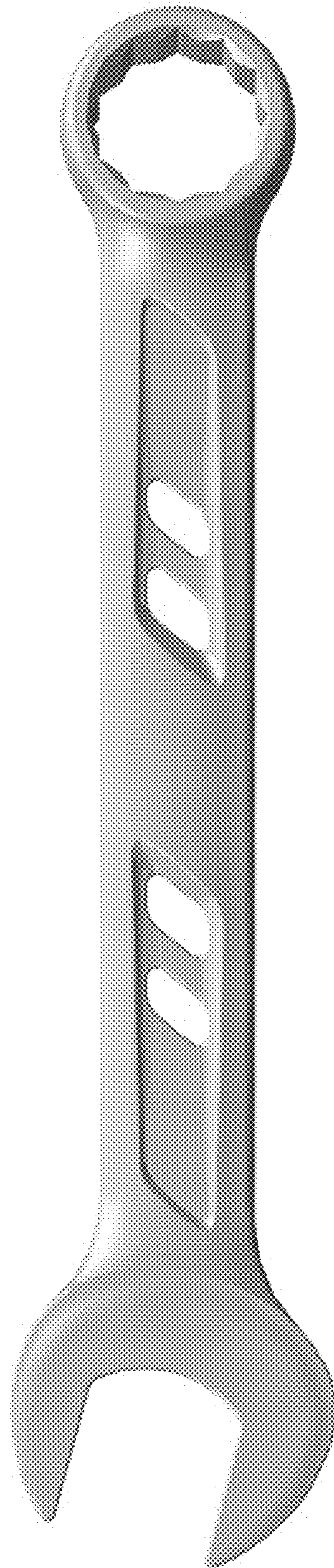


FIGURE 6



FIGURE 7





FIGURE 8

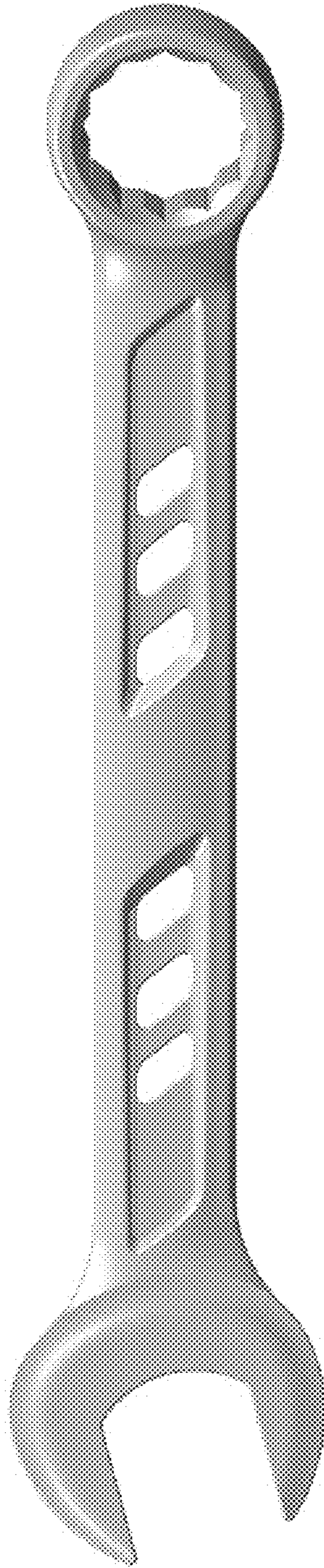


FIGURE 9

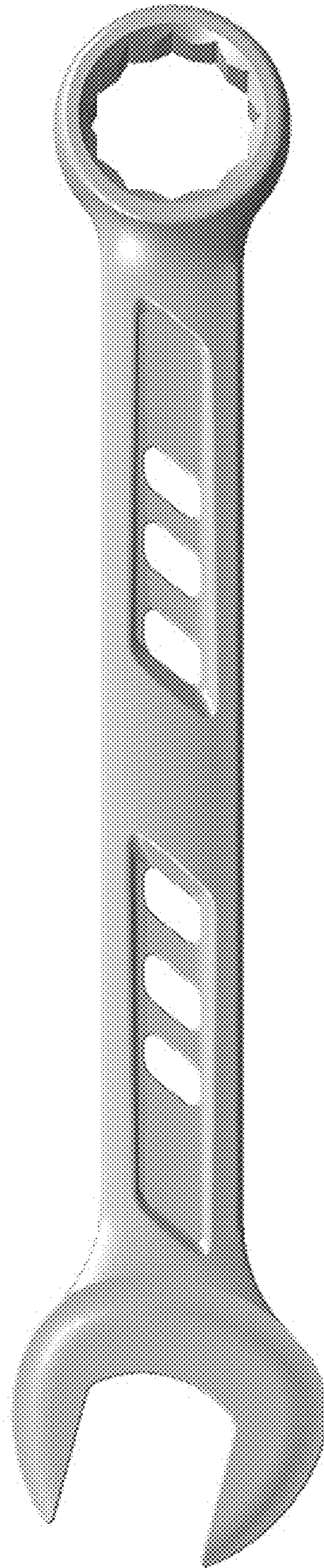


FIGURE 10



FIGURE 11

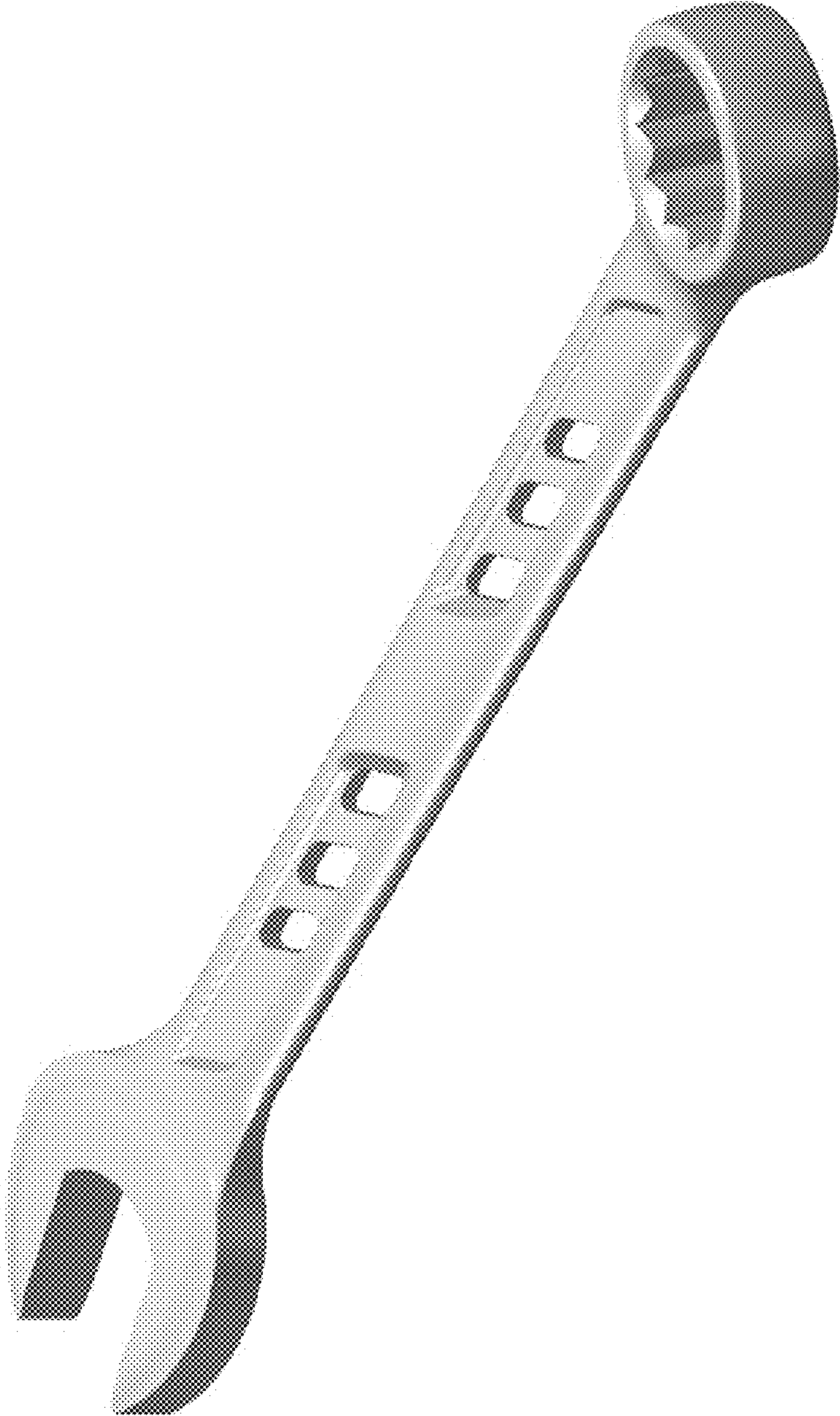


FIGURE 12