



US00D596907S

(12) **United States Design Patent**
Przygoda

(10) **Patent No.:** **US D596,907 S**

(45) **Date of Patent:** **** Jul. 28, 2009**

(54) **RHIZOME RAKE**

5,003,760 A 4/1991 Webb
D391,133 S * 2/1998 Lee D8/13
7,083,001 B1 8/2006 Schulte

(76) Inventor: **George M. Przygoda**, 5873 White
Walnut Rd., Pickneyville, IL (US) 62274

* cited by examiner

(**) Term: **14 Years**

Primary Examiner—Holly H Baynham

Assistant Examiner—Sheryl Lane

(21) Appl. No.: **29/308,576**

(74) *Attorney, Agent, or Firm*—Paul M. Denk

(22) Filed: **Jun. 24, 2008**

(57) **CLAIM**

(51) **LOC (9) Cl.** **08-01**

The ornamental design for the rhizome rake, as shown and described.

(52) **U.S. Cl.** **D8/13**

(58) **Field of Classification Search** D8/6,
D8/13; 56/400.1, 400.12, 400.13, 400.14,
56/400.15

See application file for complete search history.

DESCRIPTION

FIG. 1 is a perspective view thereof.

FIG. 2 is a front view thereof;

FIG. 3 is a rear view thereof;

FIG. 4 is a left side view;

FIG. 5 is a right side view;

FIG. 6 is a top plan view; and,

FIG. 7 is a bottom view of the invention.

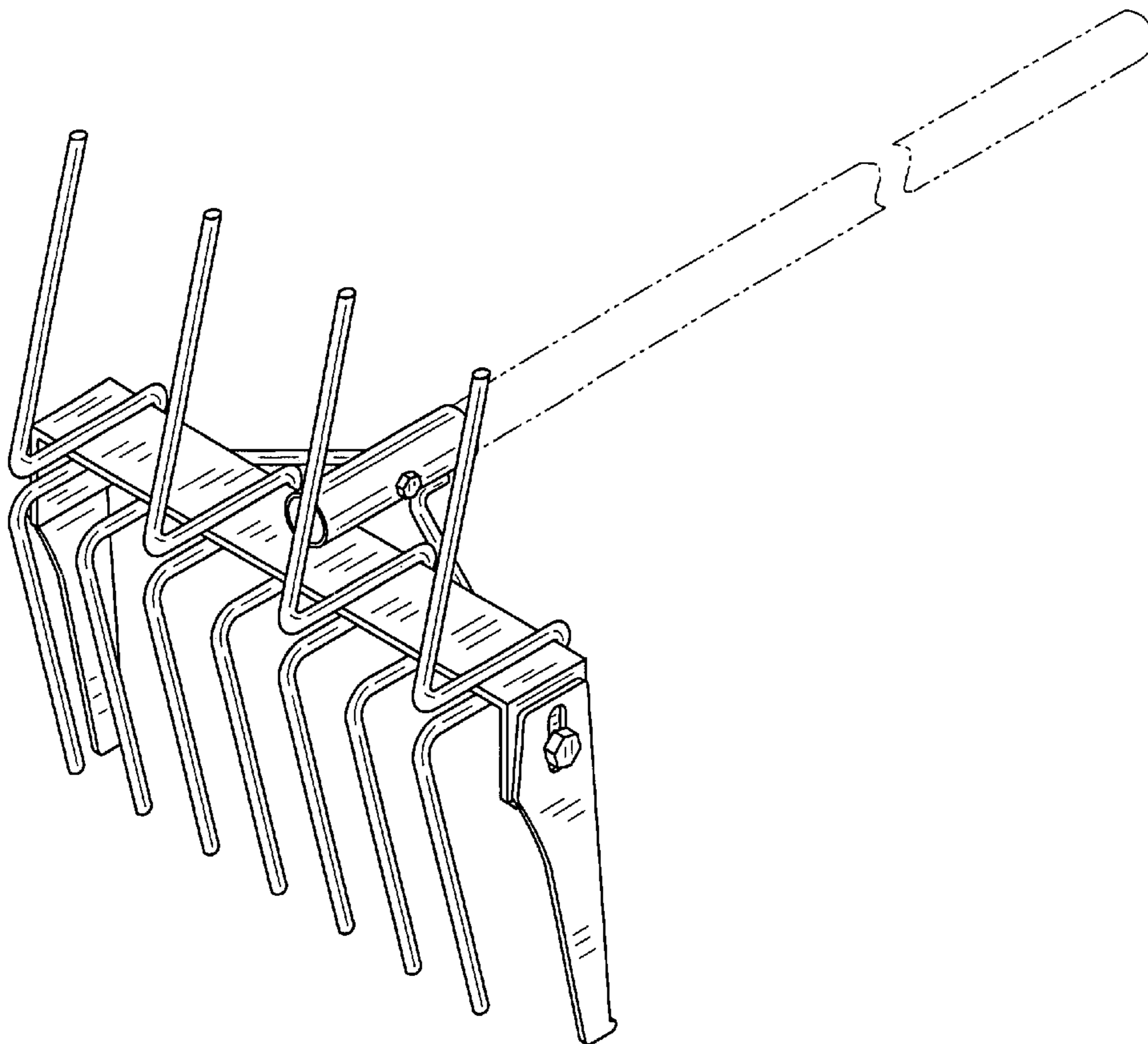
The broken line showing of the rake handle is included for the purpose of illustrating environmental structure and forms no part of the claimed design.

(56) **References Cited**

U.S. PATENT DOCUMENTS

850,228 A	4/1907	Jackson	
1,006,819 A	10/1911	Adams	
1,097,028 A *	5/1914	Keller 56/400.1
1,339,436 A	5/1920	Conrad	
2,080,763 A	5/1937	Cox	
2,787,882 A	4/1957	Huley	
3,735,574 A	5/1973	Heckner	
3,930,544 A	1/1976	Foster	
4,432,421 A	2/1984	Granberg	

1 Claim, 3 Drawing Sheets



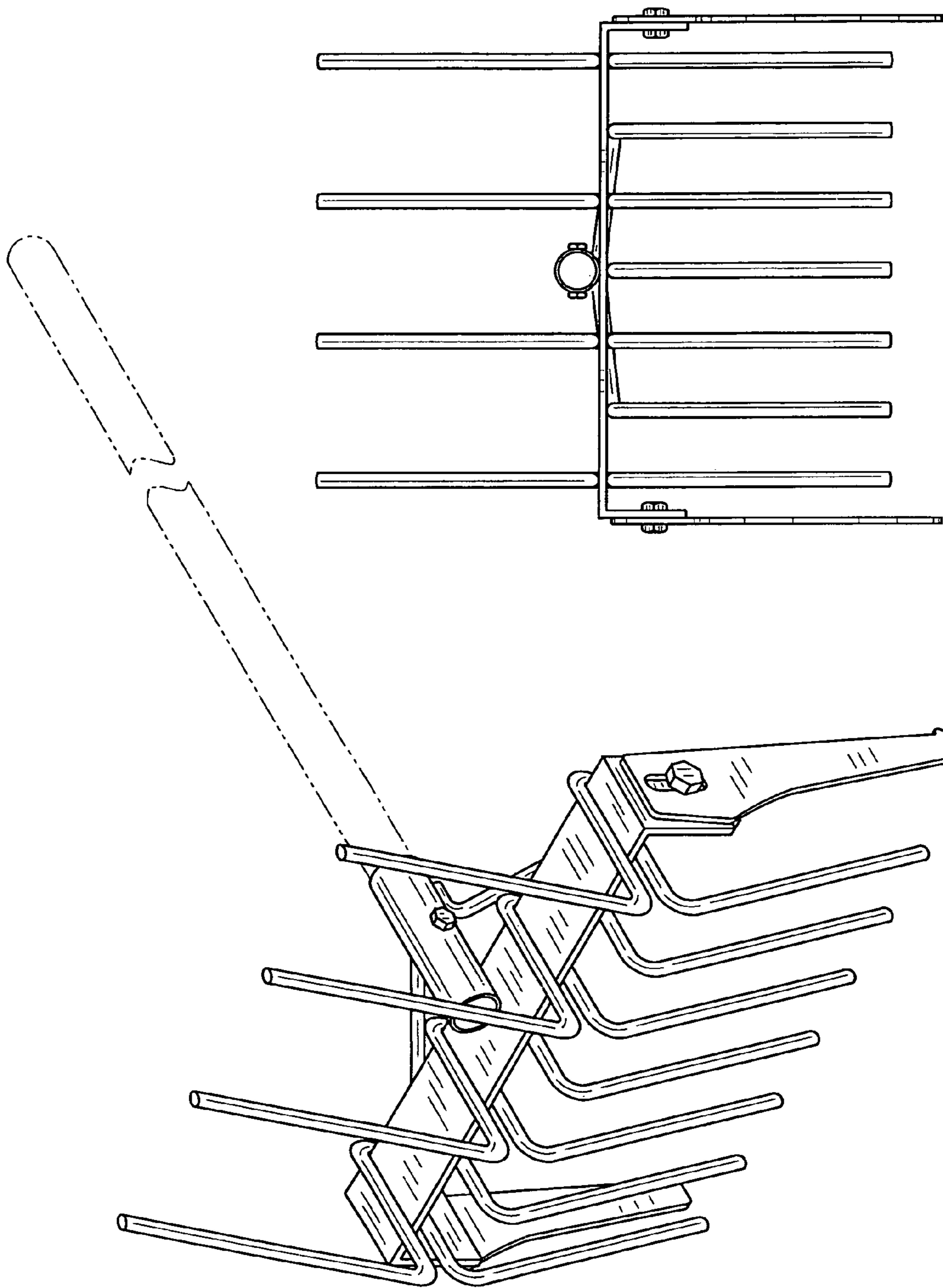


FIG. 1

FIG. 2

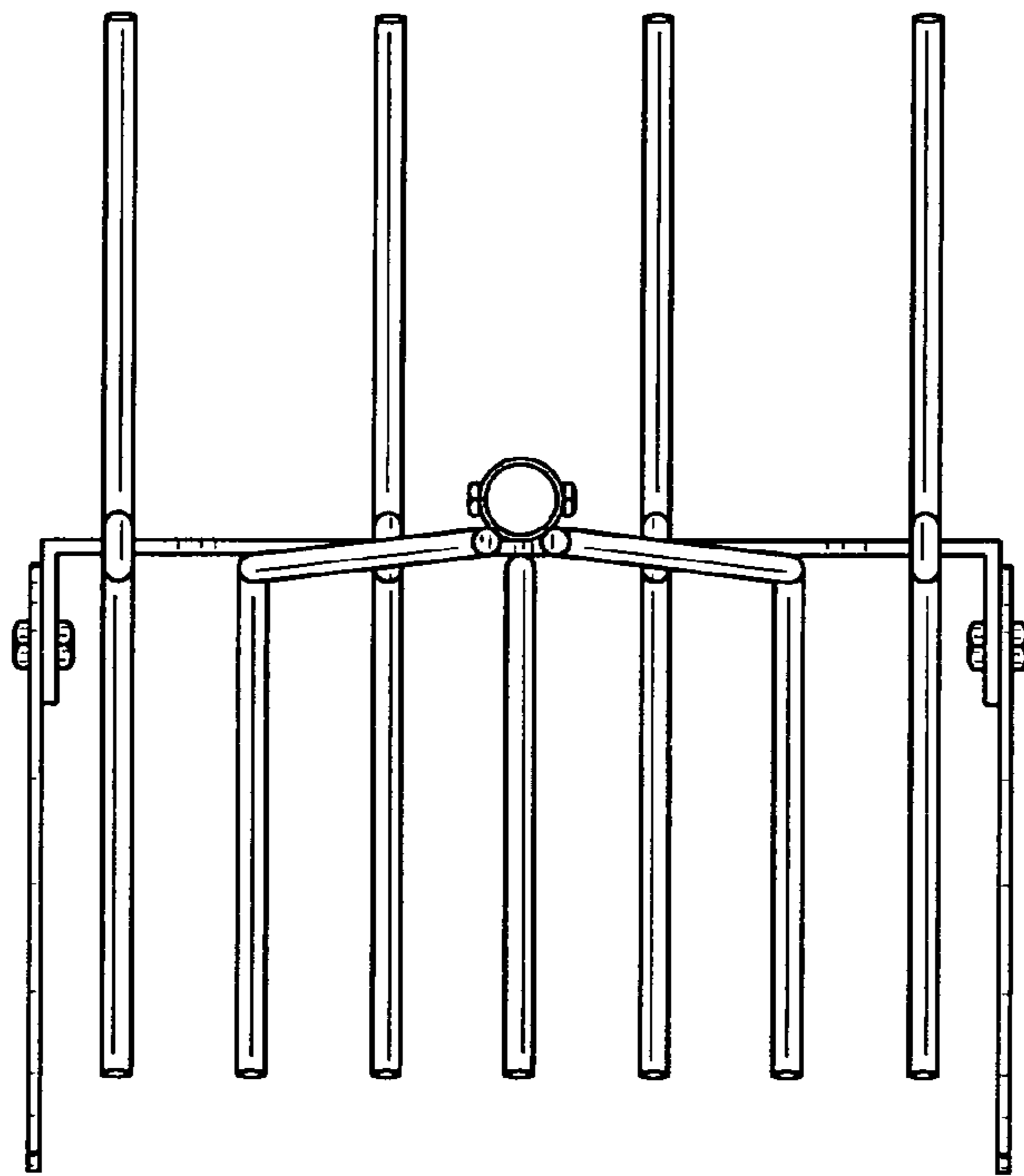


FIG. 3

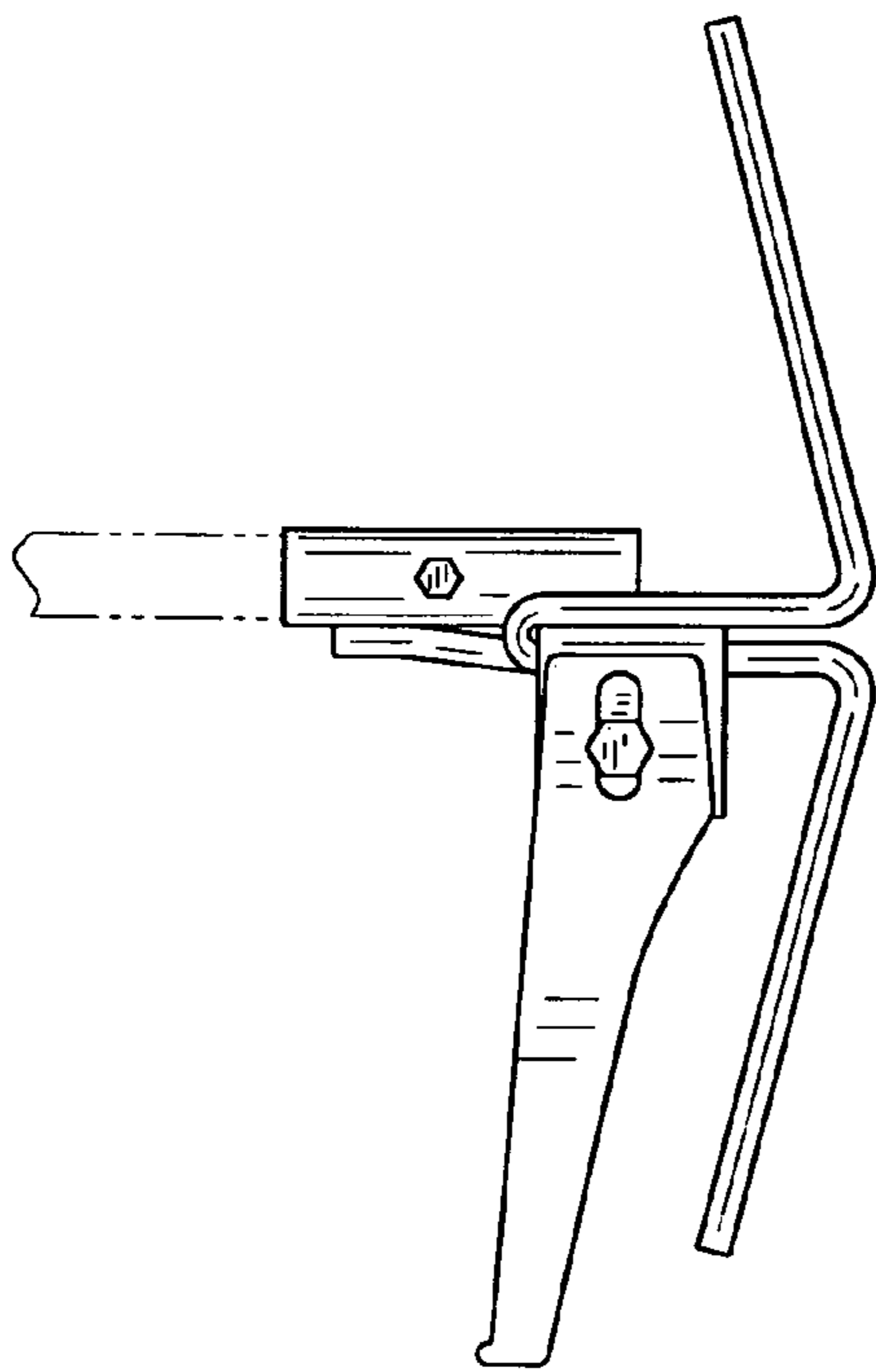


FIG. 4

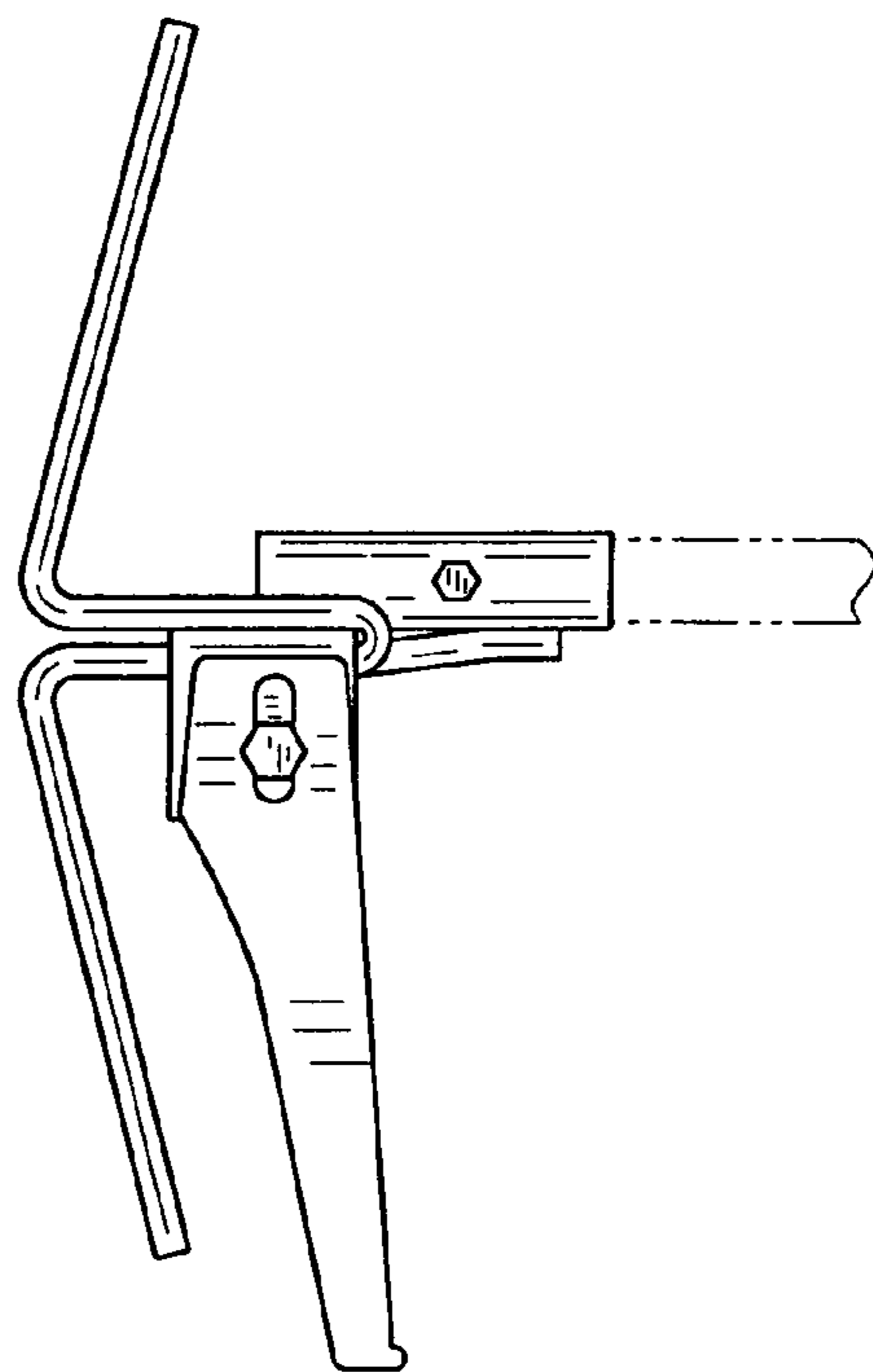


FIG. 5

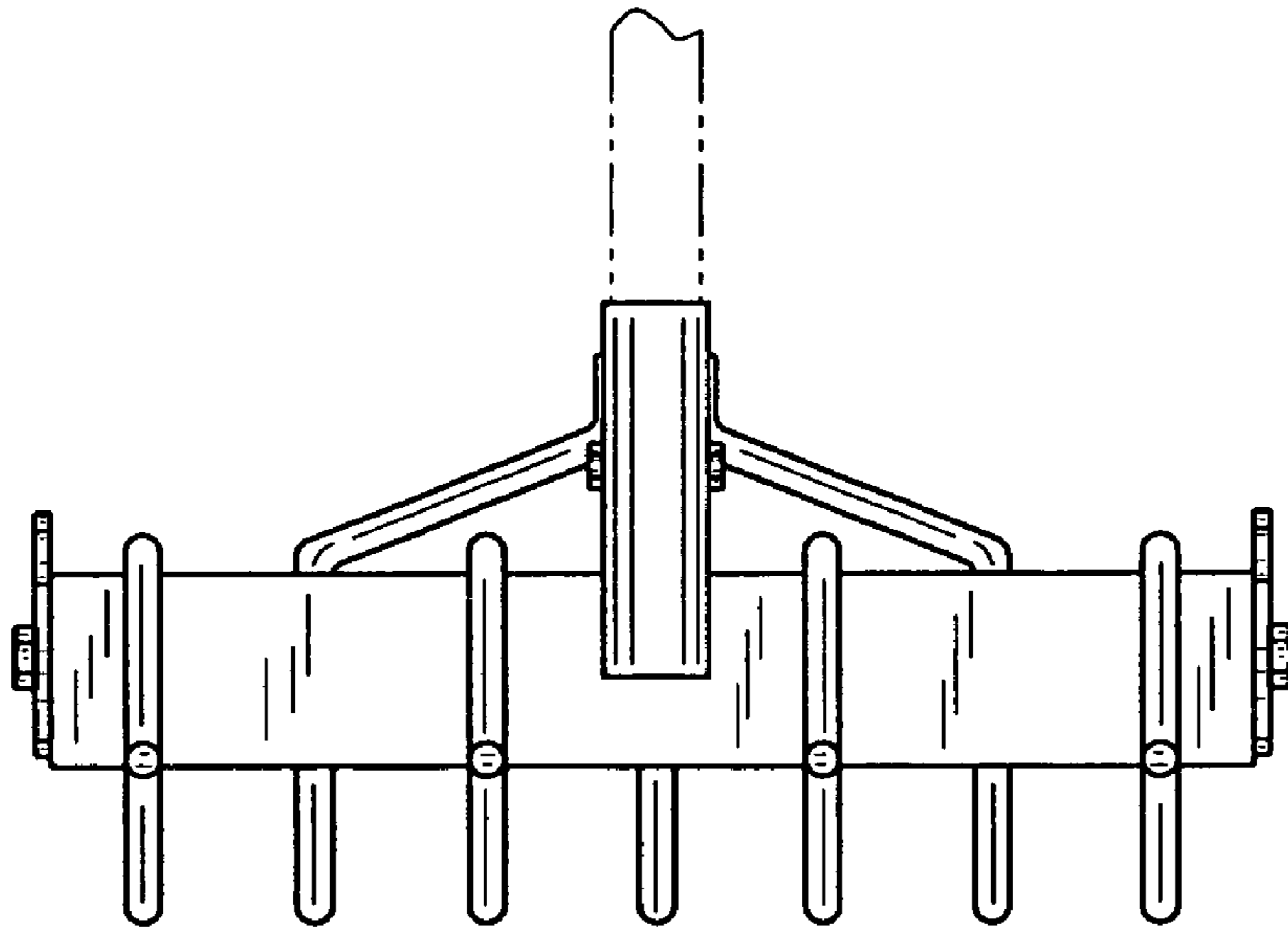


FIG. 6

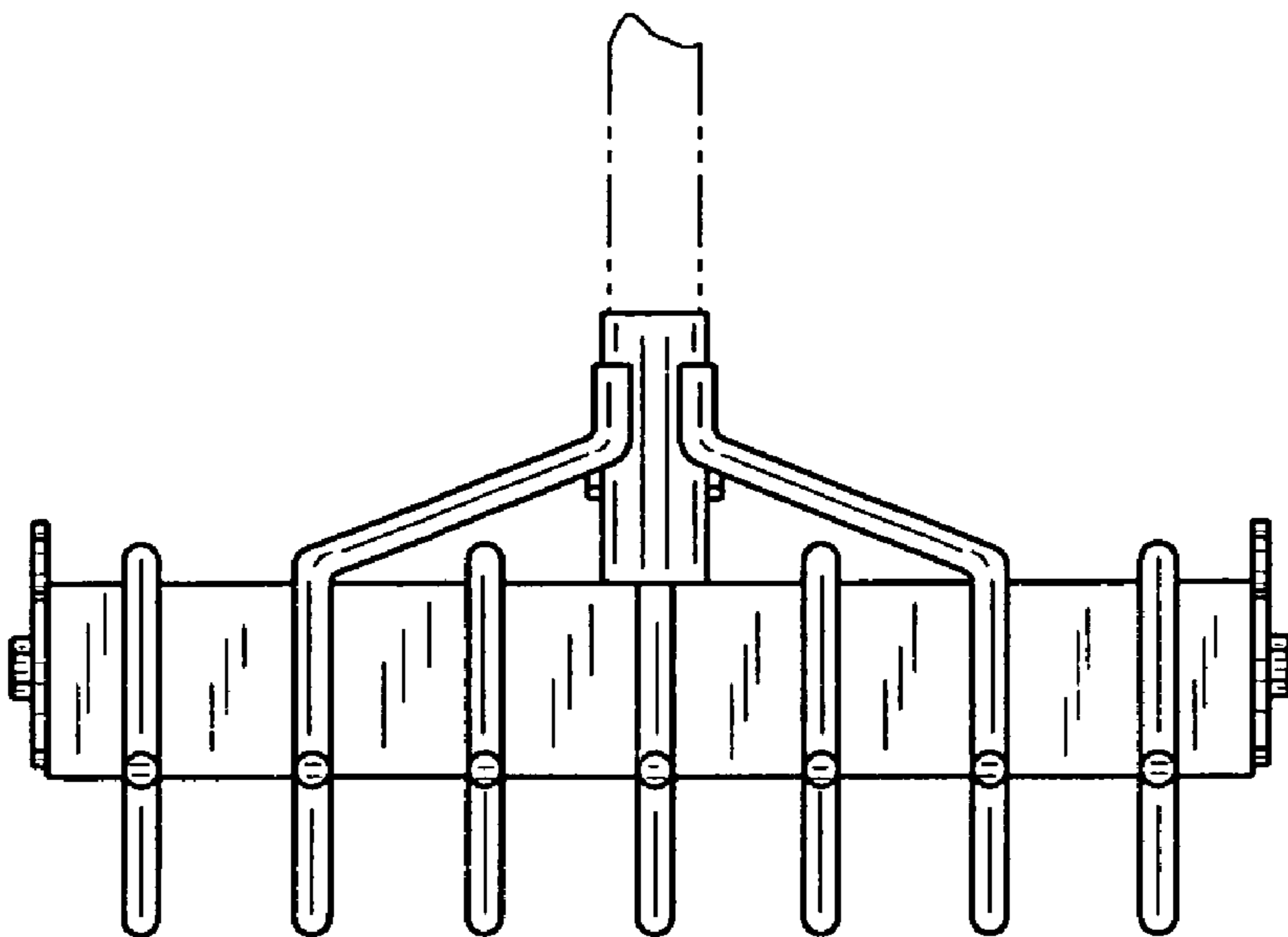


FIG. 7