



US00D596902S

(12) **United States Design Patent**
Hrovat

(10) **Patent No.:** **US D596,902 S**
(45) **Date of Patent:** **** Jul. 28, 2009**

(54) **MODULAR TRAY SET**

(75) Inventor: **Heimo Hrovat**, Bad Ischl (AT)

(73) Assignee: **H&H System Hrovat KG**, Wofgangsee (AT)

(**) Term: **14 Years**

(21) Appl. No.: **29/286,103**

(22) Filed: **Apr. 24, 2007**

(51) **LOC (9) Cl.** **07-01**

(52) **U.S. Cl.** **D7/550.1; D7/553.1**

(58) **Field of Classification Search** D3/272,
D3/304, 306-315; D6/336, 432, 441, 445-446,
D6/462, 465-466, 476, 510-511, 525, 406.6;
D7/354, 359-360, 550.1, 553.2, 554.3, 602;
D9/423, 425; D19/78-80, 92; D32/37; 206/103,
206/139, 203, 214-215, 307.1, 376, 503,
206/509, 511-512, 518; 220/533, DIG. 2,
220/DIG. 15; 229/100, 406, 913-914

See application file for complete search history.

(56) **References Cited**

U.S. PATENT DOCUMENTS

1,523,136	A *	1/1925	O'Connor	220/533
3,077,977	A *	2/1963	Wood	206/1.7
D200,264	S *	2/1965	Tudor	D3/310
D251,479	S *	4/1979	Cherry	D3/314
4,261,464	A *	4/1981	Maitland	206/708
4,436,215	A *	3/1984	Kleinert et al.	220/533
D285,219	S *	8/1986	Stein	D19/92
4,705,168	A *	11/1987	Ward	206/373
D350,669	S *	9/1994	Conti	D7/360
D356,921	S *	4/1995	Wolff	D6/629
D358,484	S *	5/1995	Cautereels et al.	D3/310
5,553,710	A *	9/1996	Takama	206/561
6,039,178	A *	3/2000	Ernst	206/376
6,959,811	B1 *	11/2005	Hoover	206/315.11

* cited by examiner

Primary Examiner—Robert M Spear

Assistant Examiner—Cynthia Underwood

(74) *Attorney, Agent, or Firm*—Carter, DeLuca, Farrell & Schmidt, LLP

(57) **CLAIM**

What is claimed the ornamental design for a modular tray set, as shown and described.

DESCRIPTION

FIG. 1 is a front perspective view of a tray design of a modular tray set design;

FIG. 2 is a top view of the tray design of the modular tray set design;

FIG. 3 is a bottom view of the tray design of the modular tray set design;

FIG. 4 is a front view of the tray design of the modular tray set design;

FIG. 5 is a right side view of the tray design of the modular tray set design;

FIG. 6 is a right side perspective view of a partition design of the modular tray set design;

FIG. 7 is a top view of the partition design of the modular tray set design;

FIG. 8 is a bottom view of the partition design of the modular tray set design;

FIG. 9 is a right side view of the partition design of the modular tray set design; and

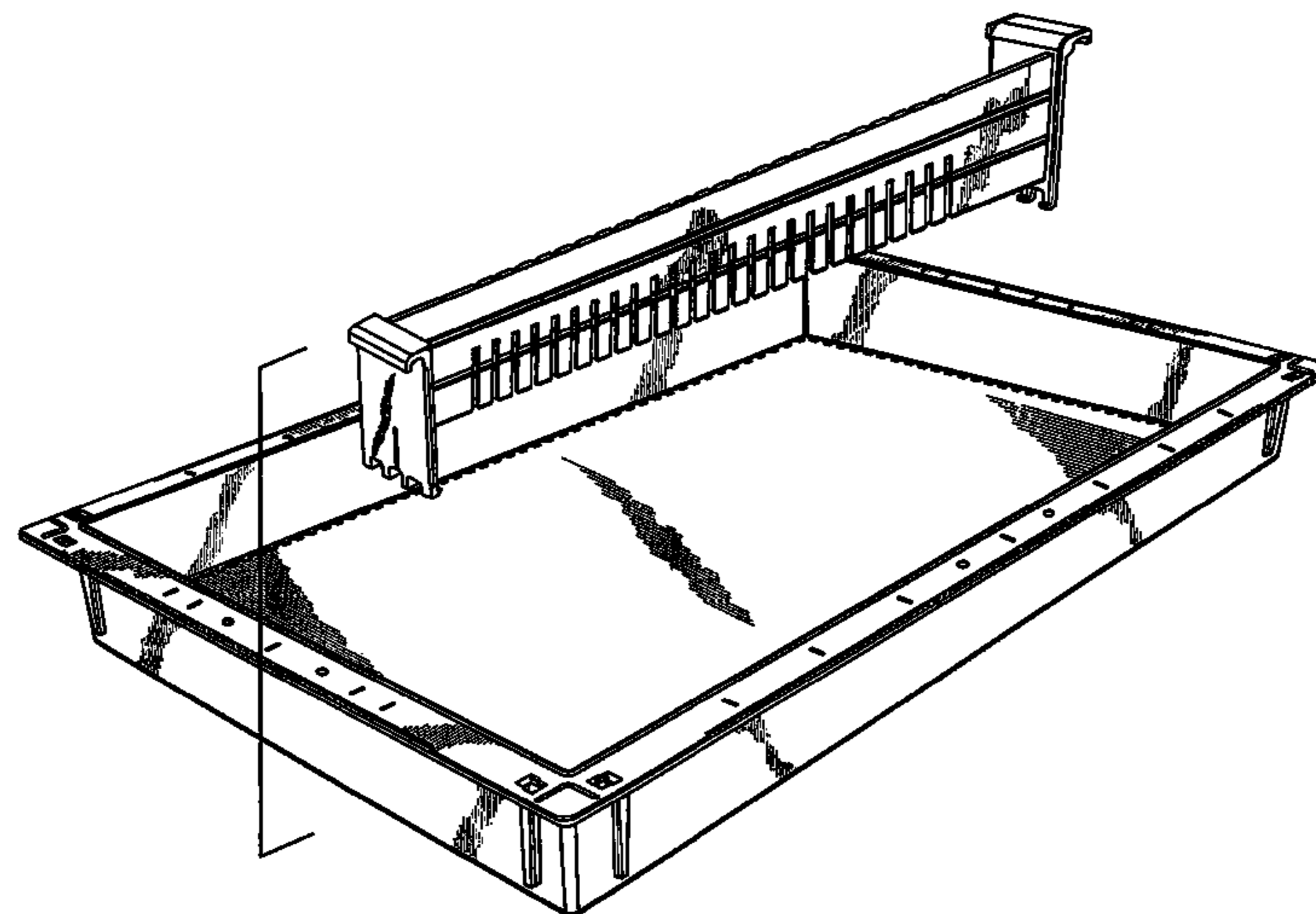
FIG. 10 is a front view of the partition design of the modular tray set design; and,

FIG. 11 is a perspective view of the modular tray set shown with partition.

The phantom lines showing indicia on the front of the modular tray set are included for the purpose of illustrating portions of the modular tray set and form no part of the claimed design.

The broken lines form no part of the claim.

1 Claim, 8 Drawing Sheets



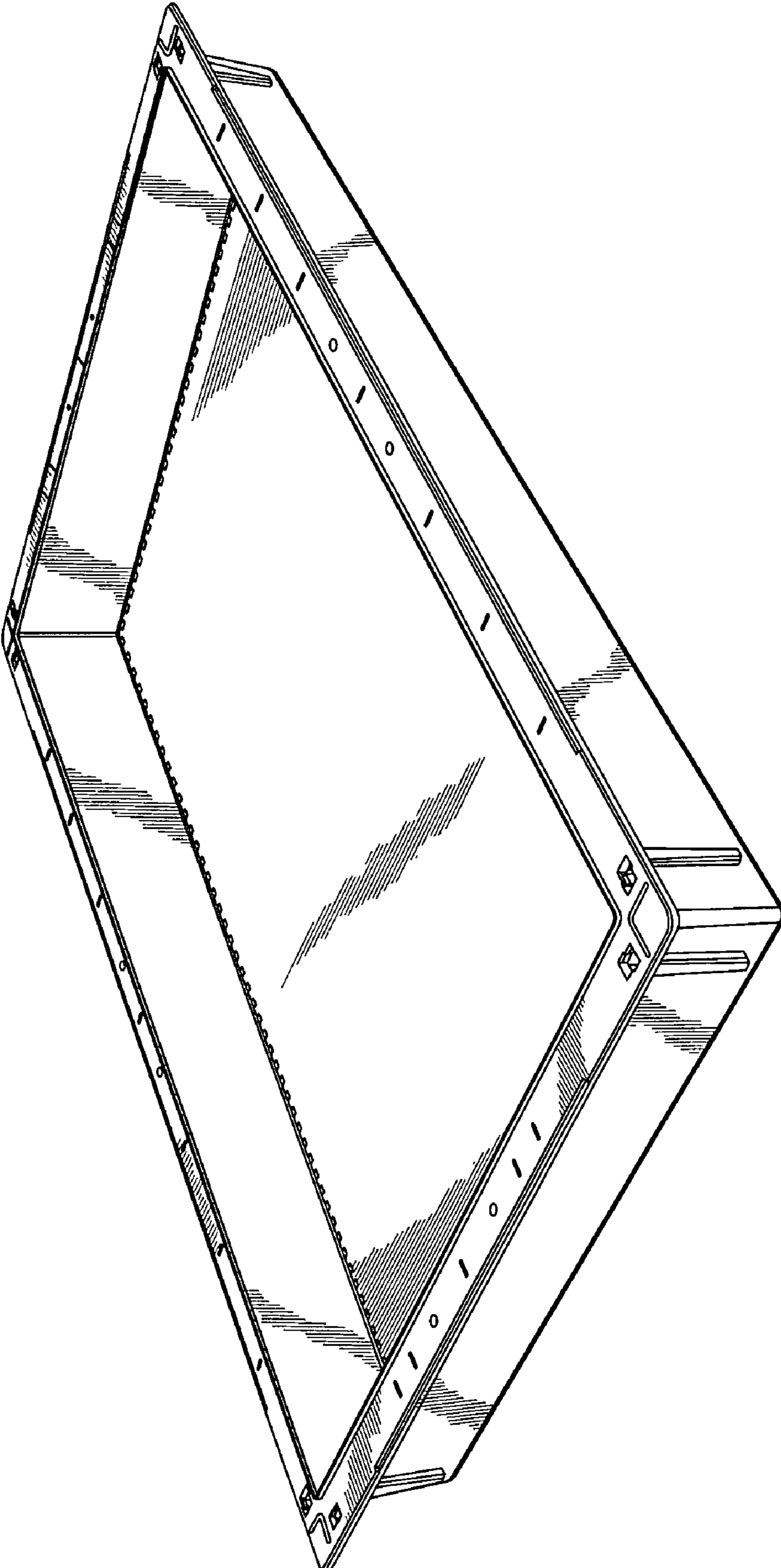


FIG. 1

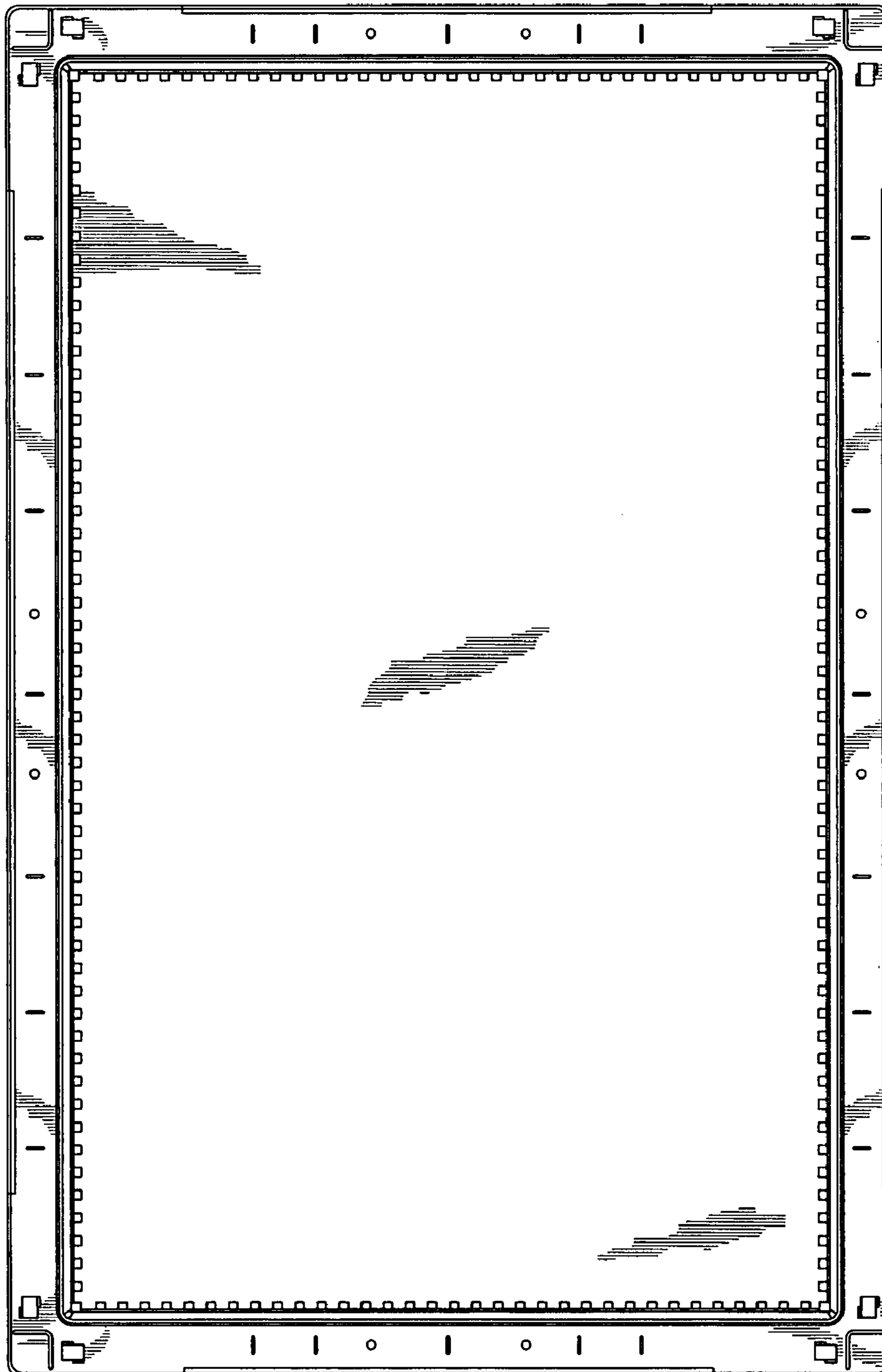


FIG. 2

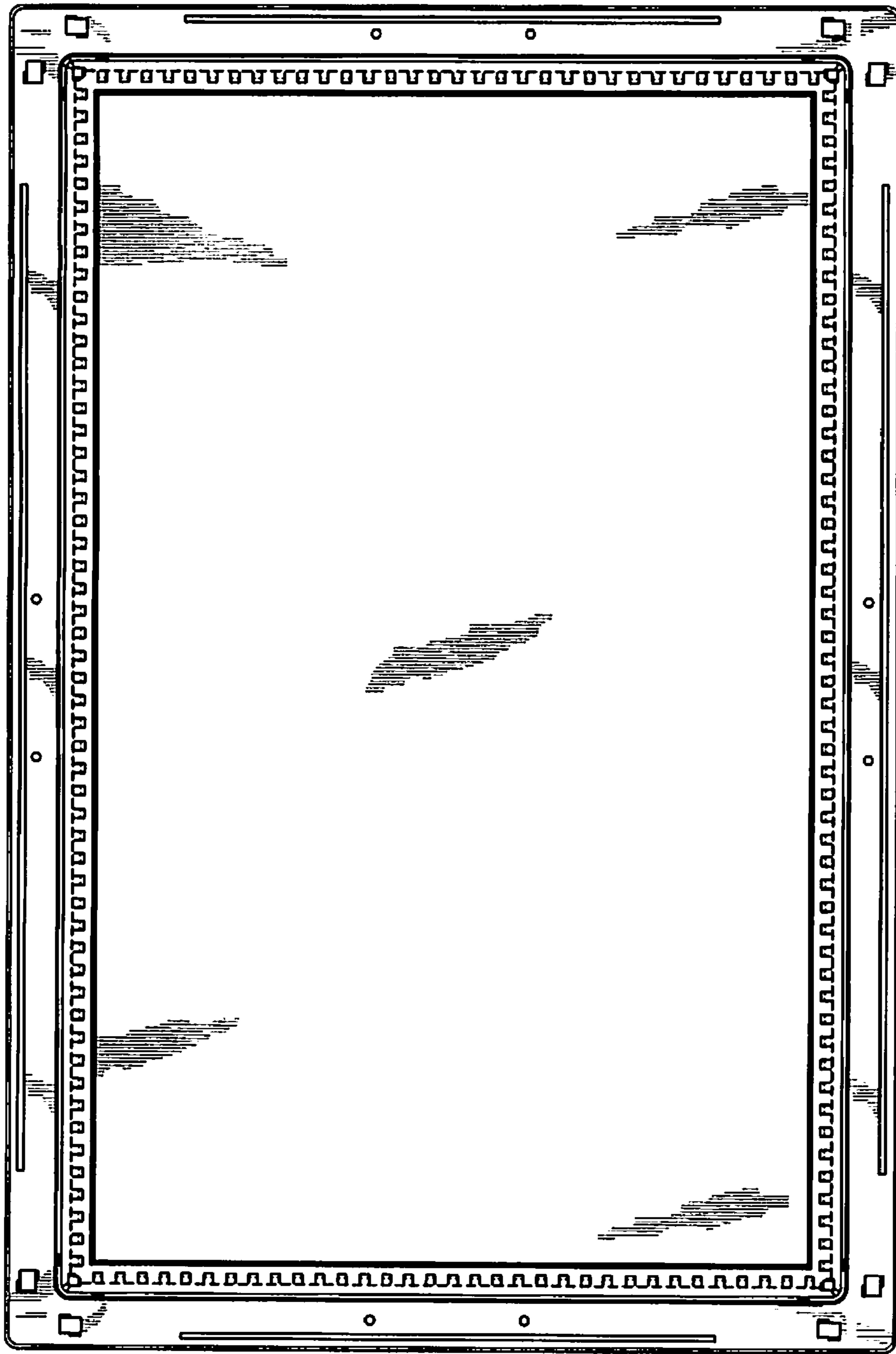


FIG. 3

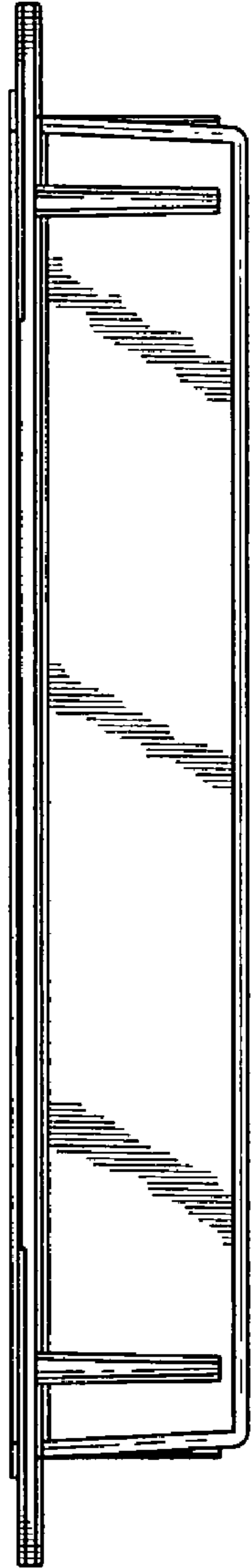


FIG. 4

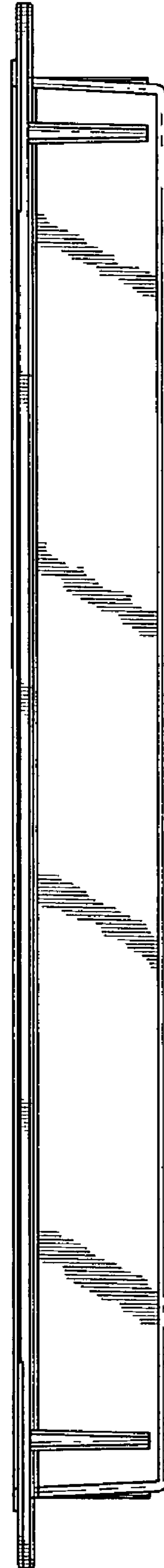


FIG. 5

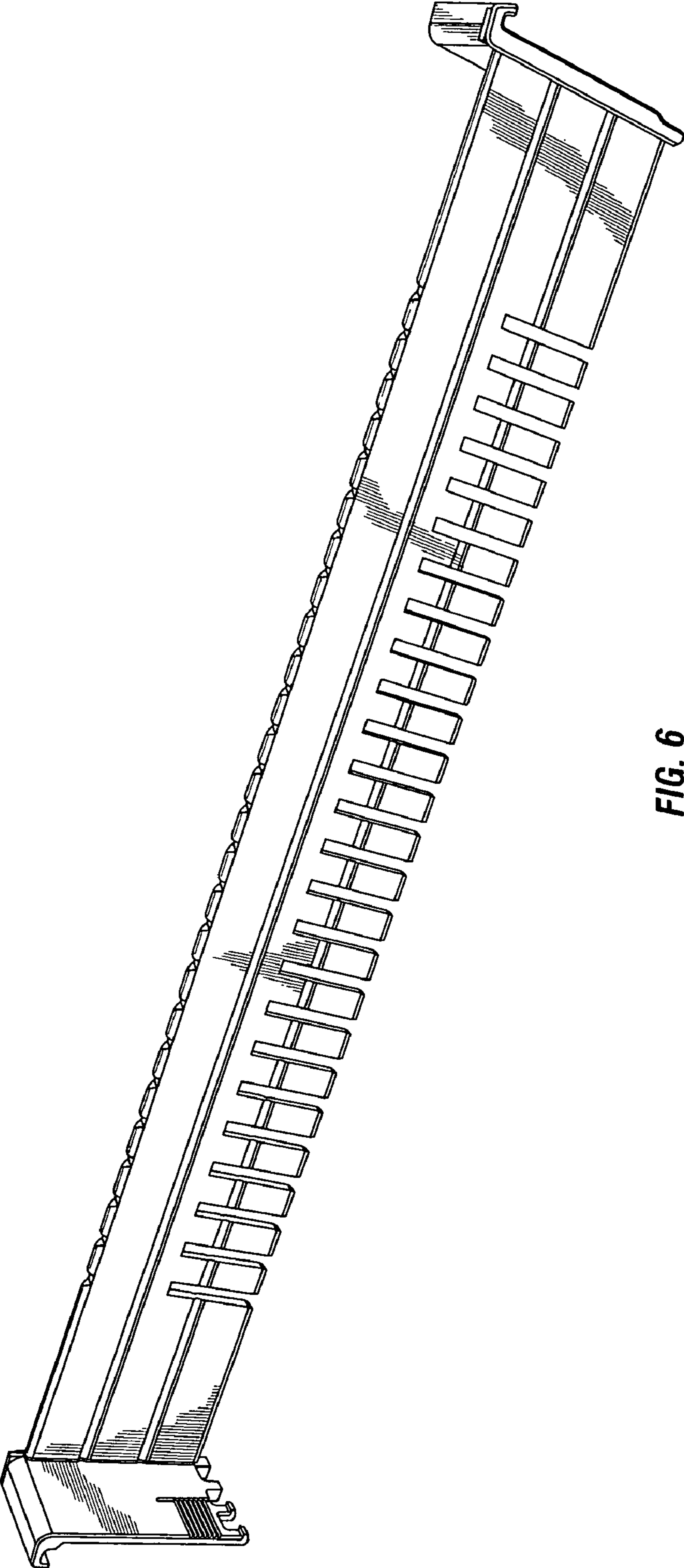


FIG. 6

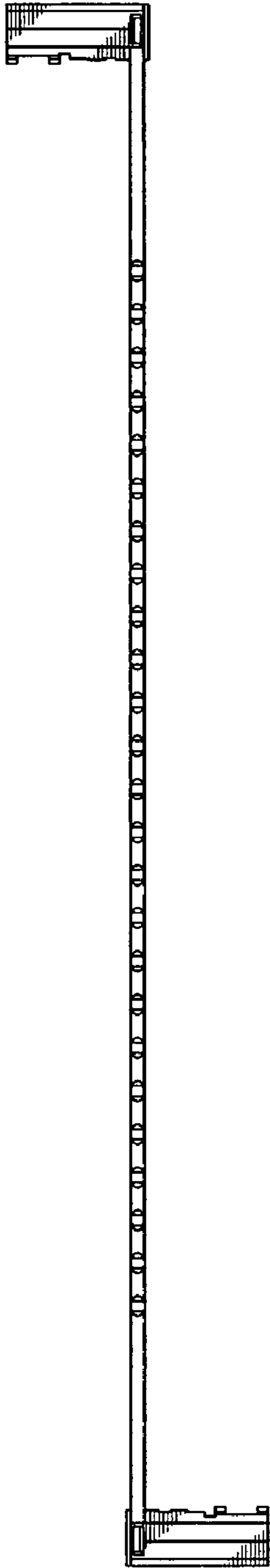


FIG. 7

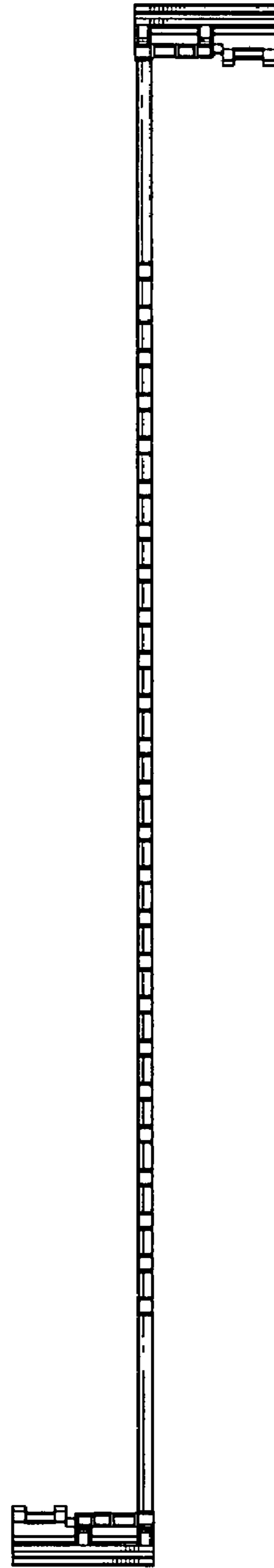


FIG. 8

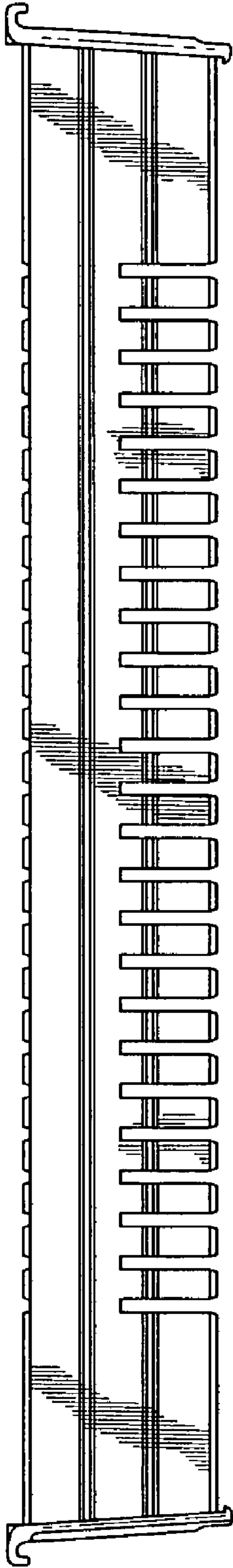


FIG. 9

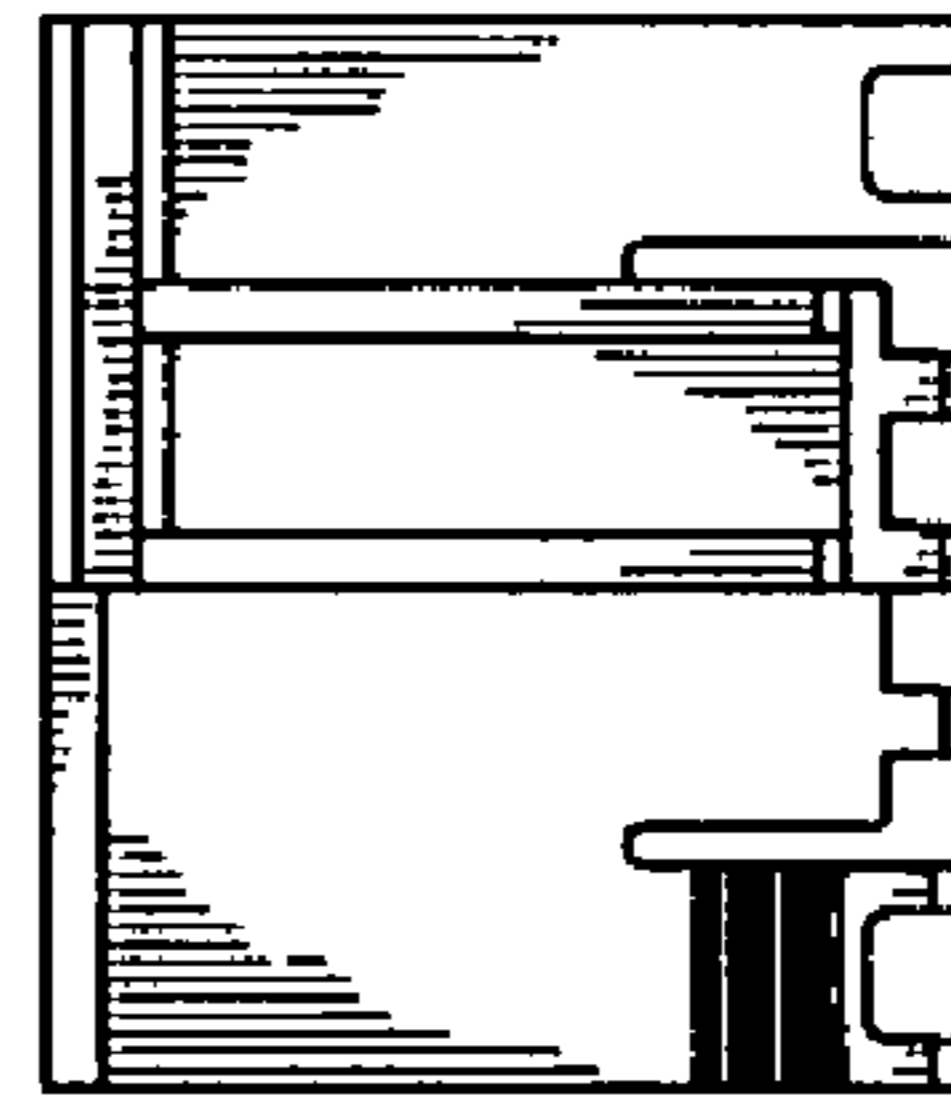


FIG. 10

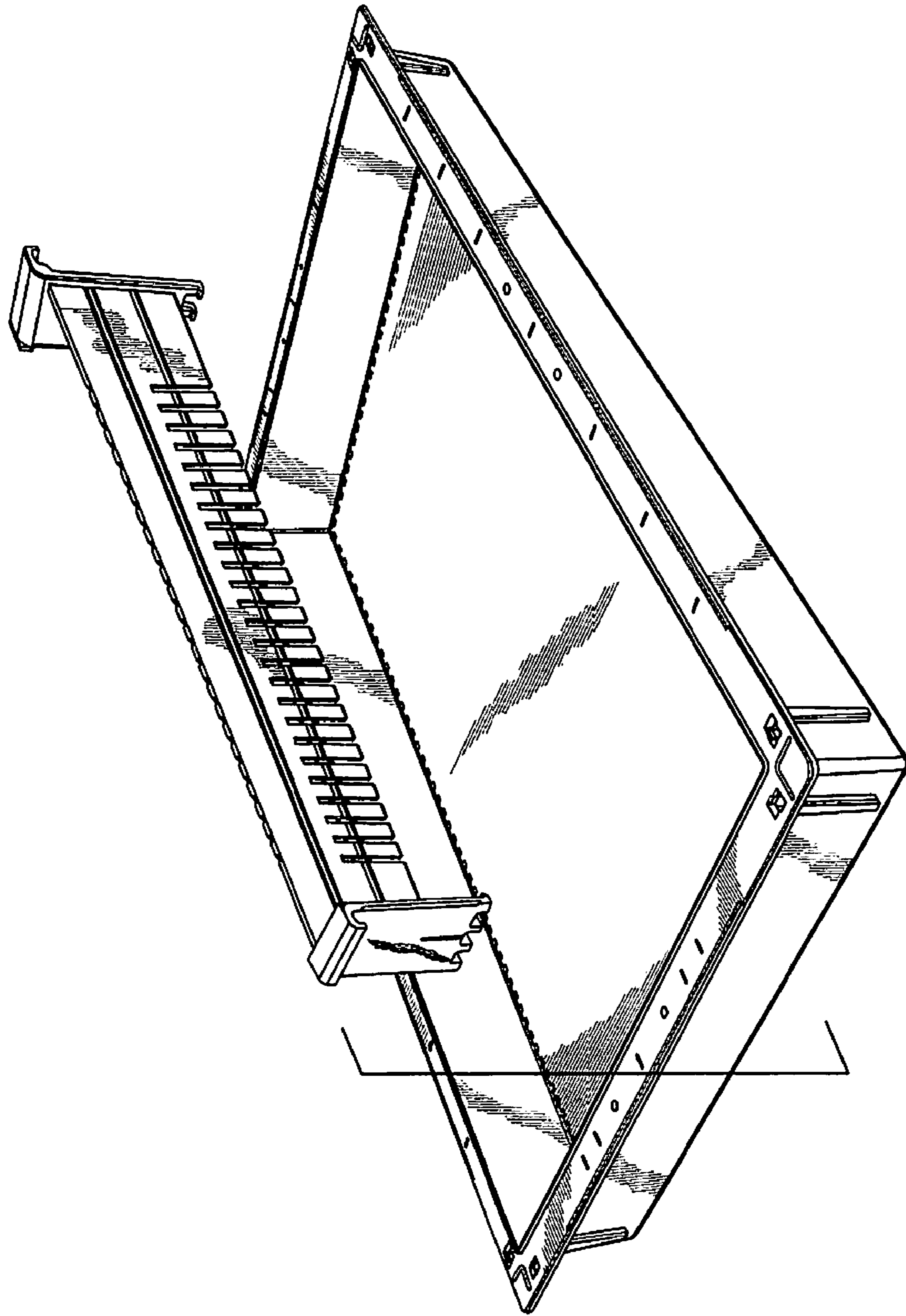


FIG. 11