



US00D596900S

(12) **United States Design Patent**
Kluger

(10) **Patent No.:** **US D596,900 S**

(45) **Date of Patent:** **** Jul. 28, 2009**

(54) **HALF SHOT GLASS**

(75) Inventor: **Gary Kluger**, Coral Gables, FL (US)

(73) Assignee: **American Gift Corporation**

(**) Term: **14 Years**

(21) Appl. No.: **29/324,731**

(22) Filed: **Sep. 18, 2008**

(51) **LOC (9) Cl.** **07-01**

(52) **U.S. Cl.** **D7/509; D7/515**

(58) **Field of Classification Search** D7/507,
D7/509-536; 220/703, 23.83

See application file for complete search history.

(56) **References Cited**

U.S. PATENT DOCUMENTS

D258,796 S *	4/1981	Paulides	D7/513
D299,624 S *	1/1989	Rothman et al.	D11/152
D335,728 S *	5/1993	Dziersk et al.	D34/1
D336,594 S *	6/1993	Trush	D7/537
5,242,071 A *	9/1993	Goebel	220/4.23
D395,379 S *	6/1998	Goodman	D7/513
D409,442 S *	5/1999	Kilpatrick et al.	D7/513
D515,870 S *	2/2006	Akopyan	D7/513
7,168,584 B2 *	1/2007	Akopyan	220/23.83
D539,091 S *	3/2007	Mansfield	D7/513

D557,985 S *	12/2007	Arcangeli	D7/536
D561,534 S *	2/2008	Marks	D7/523
D570,158 S *	6/2008	Massi et al.	D7/523
D572,533 S *	7/2008	Mansfield et al.	D7/513
D572,976 S *	7/2008	Mansfield	D7/524
D576,839 S *	9/2008	Mansfield	D7/513
D586,622 S *	2/2009	Silvers	D7/523

* cited by examiner

Primary Examiner—Marianne Pandozzi

(74) *Attorney, Agent, or Firm*—Lott & Friedland, PA

(57) **CLAIM**

The ornamental design for a half shot glass, substantially as shown and described.

DESCRIPTION

FIG. 1 is a perspective view of the half shot glass of the present invention;

FIG. 2 is a rear side view of the half shot glass of FIG. 1;

FIG. 3 is a front side view of the half shot glass of FIG. 1;

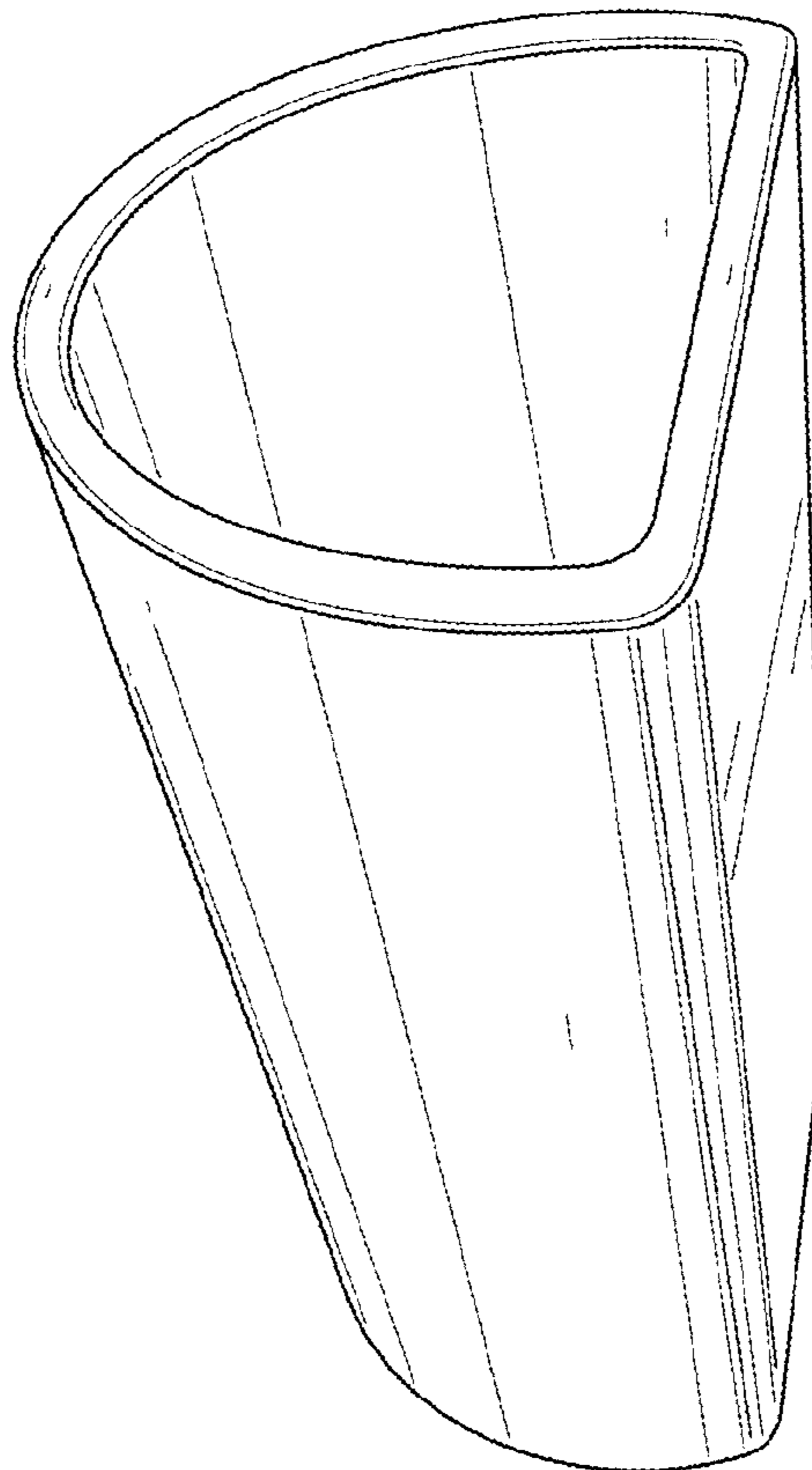
FIG. 4 is a right side view of the half shot glass of FIG. 1;

FIG. 5 is a left side view of the half shot glass of FIG. 1;

FIG. 6 is a top view of the half shot glass of FIG. 1; and,

FIG. 7 is a bottom view of the half shot glass of FIG. 1.

1 Claim, 4 Drawing Sheets



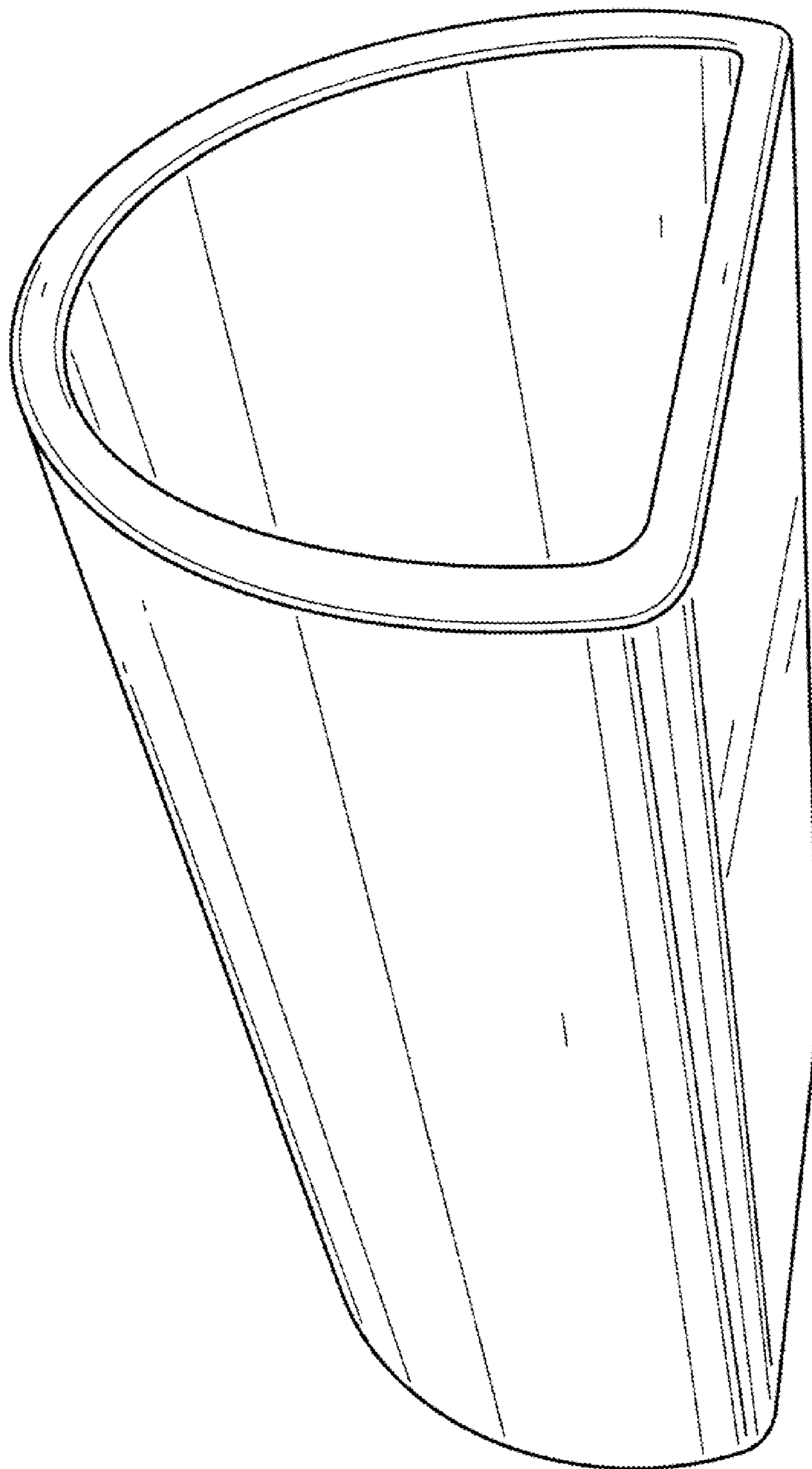


FIG. 1

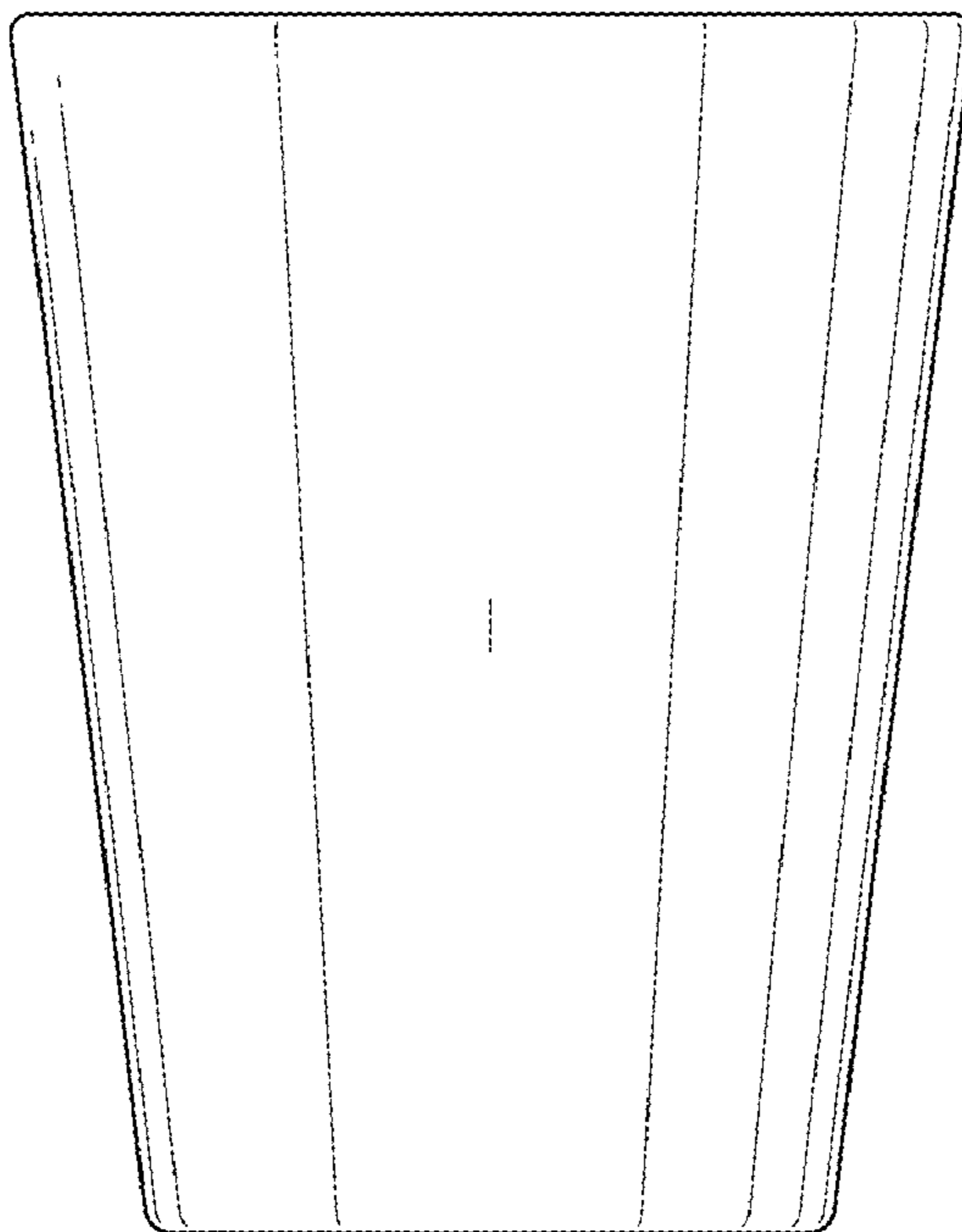


FIG. 2

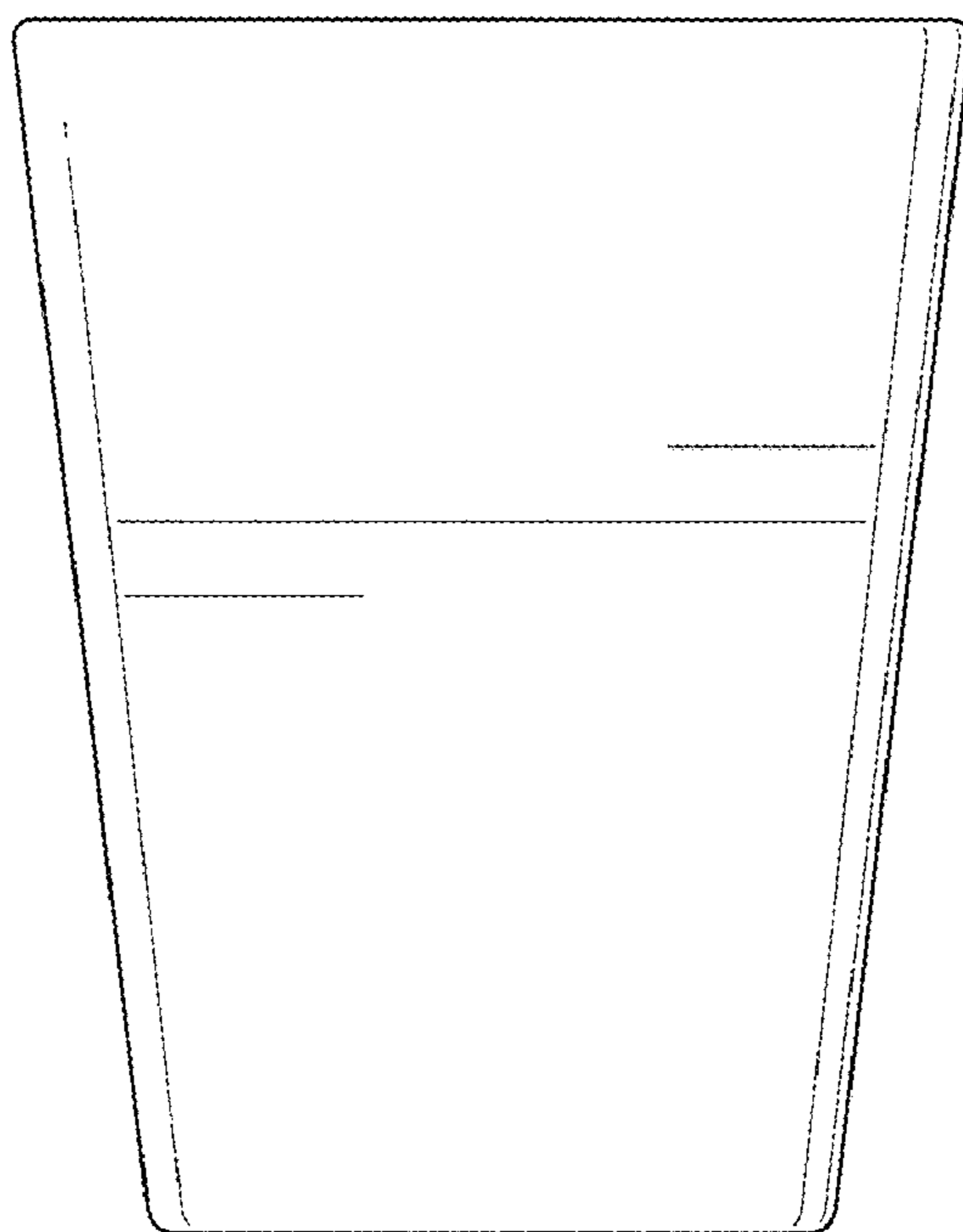


FIG. 3

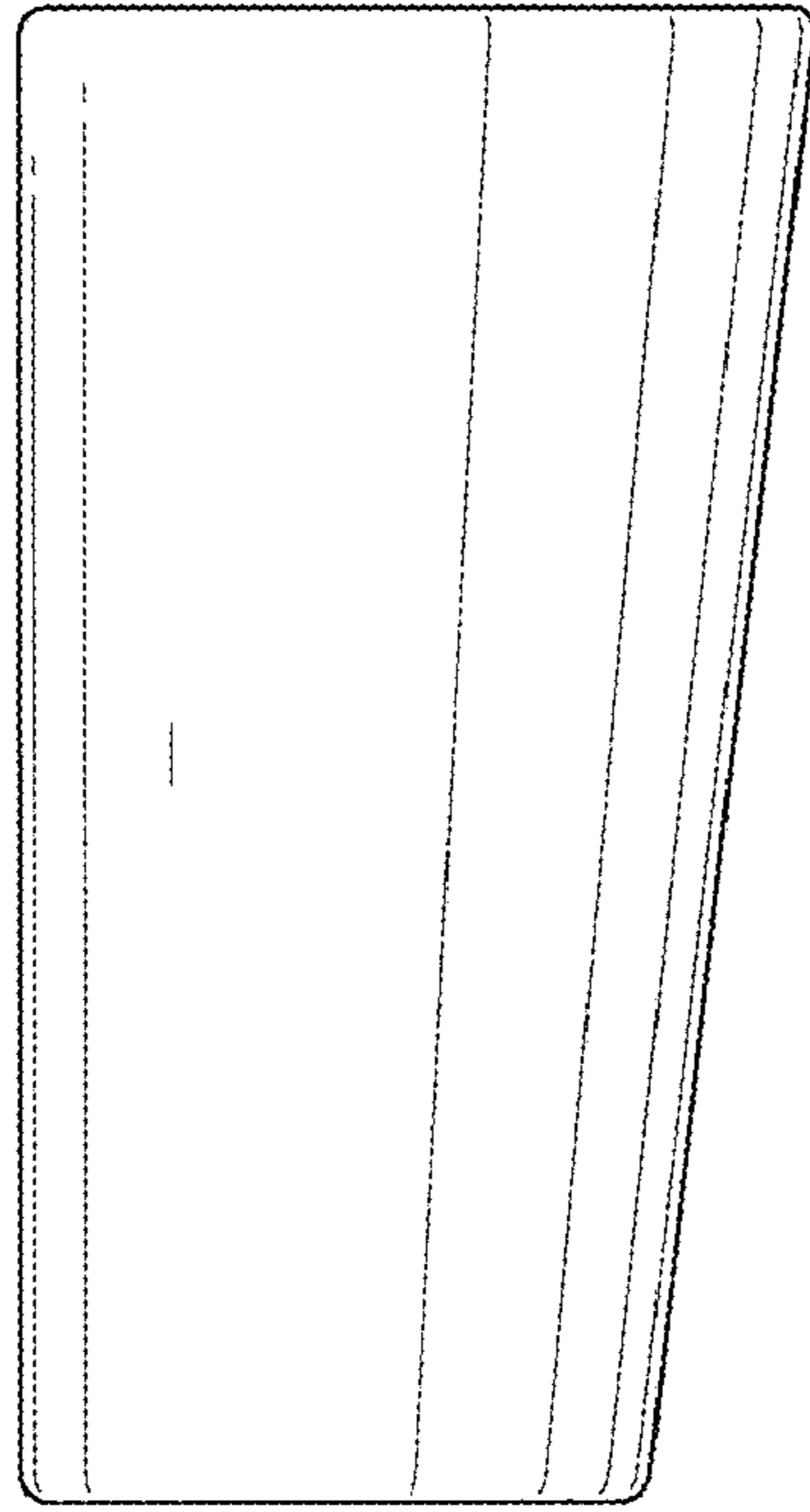


FIG. 4

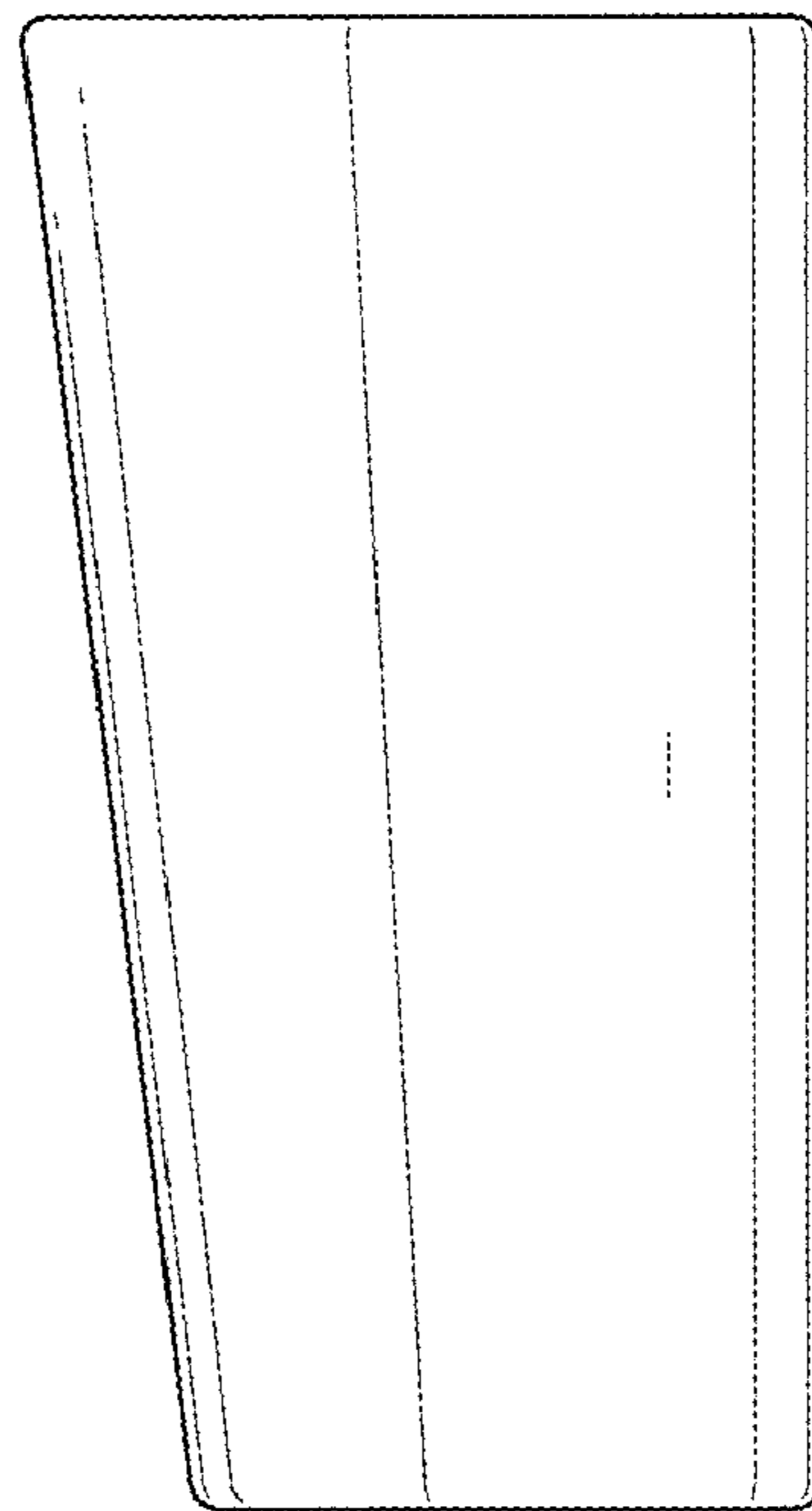


FIG. 5

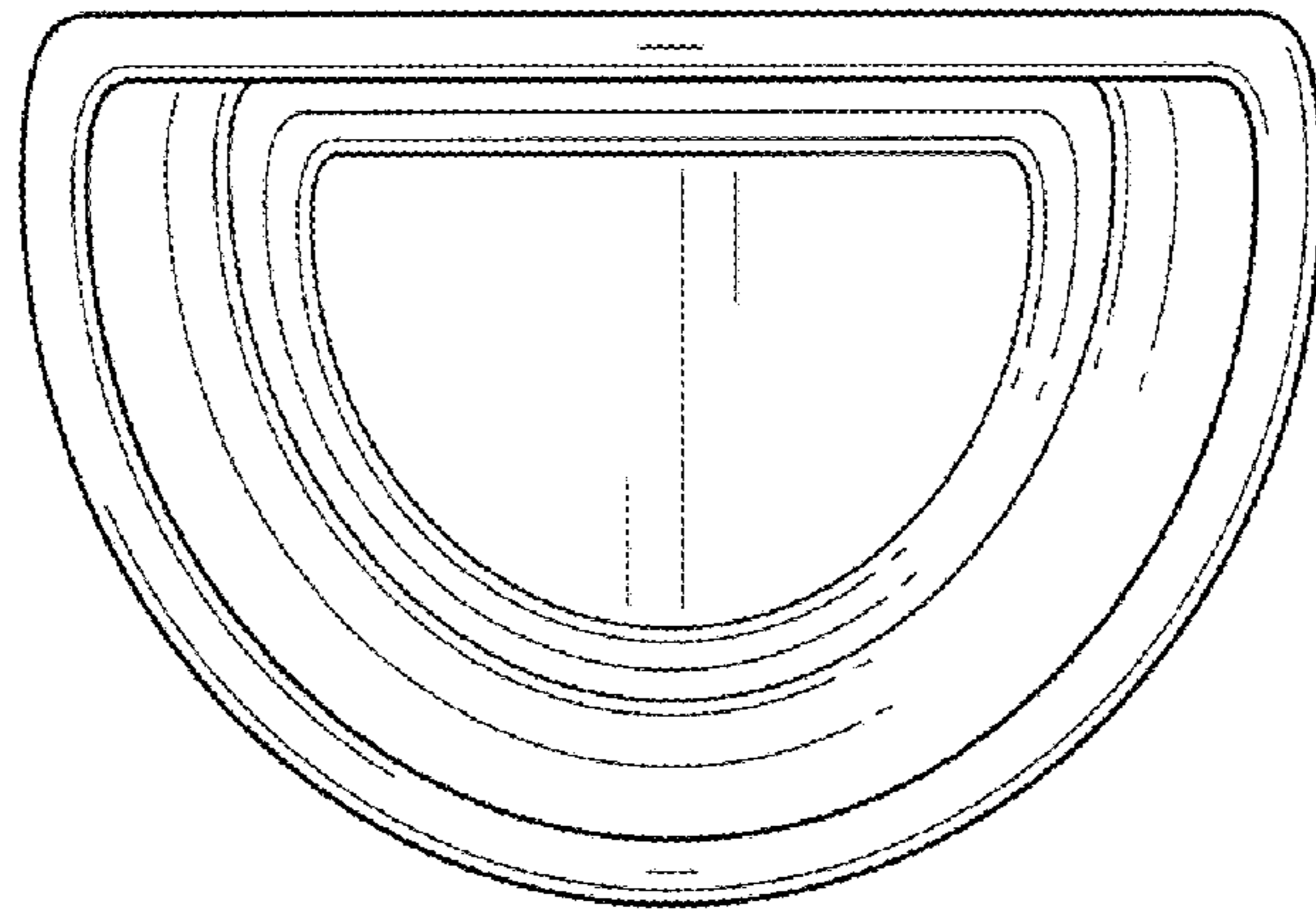


FIG. 6

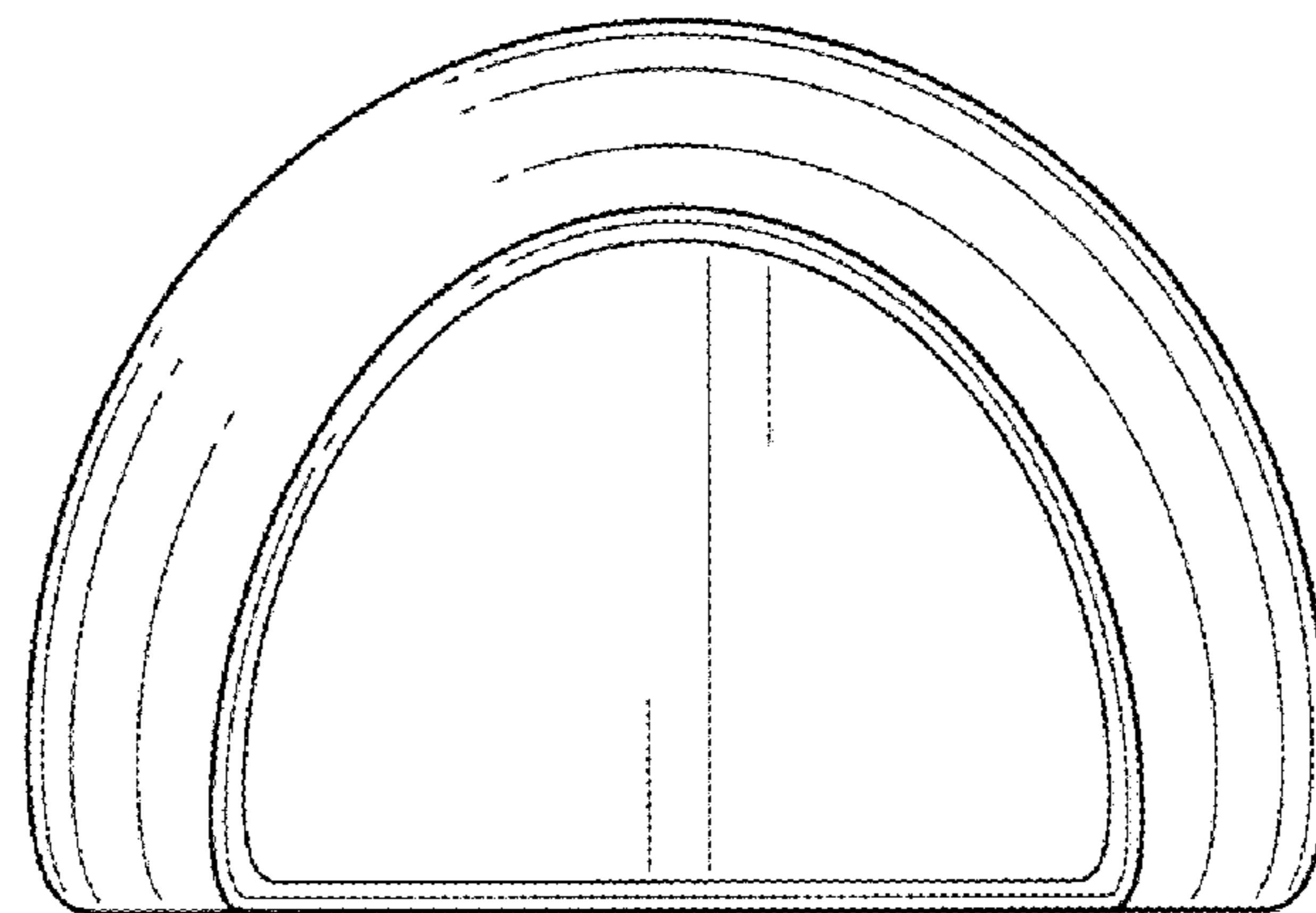


FIG. 7