



US00D596899S

(12) **United States Design Patent**
Spiller

(10) **Patent No.:** **US D596,899 S**

(45) **Date of Patent:** **** Jul. 28, 2009**

(54) **DRINKING MUG WITH WRITING INSTRUMENT**

D417,365 S * 12/1999 Huang D7/511
6,092,647 A * 7/2000 Yeh et al. 206/86
D530,981 S * 10/2006 Bin D7/510

(76) Inventor: **David V. Spiller**, 3615 Longridge Ave.,
Sherman Oaks, CA (US) 91423

* cited by examiner

(**) Term: **14 Years**

Primary Examiner—Robert M. Spear

Assistant Examiner—Cynthia Underwood

(21) Appl. No.: **29/312,259**

(74) *Attorney, Agent, or Firm*—Law Offices of Kamran Fattahi

(22) Filed: **Oct. 8, 2008**

(57) **CLAIM**

(51) **LOC (9) Cl.** **07-01**

The ornamental design for a drinking mug with writing instrument, as shown and described.

(52) **U.S. Cl.** **D7/507; D7/536**

(58) **Field of Classification Search** D7/533,
D7/509, 536, 511, 507, 513, 510, 505, 622,
D7/619, 523; D9/500, 716, 715; 220/703,
220/212, 710.5; 215/388, 398, 395, 387;
206/217; 229/402

See application file for complete search history.

DESCRIPTION

FIG. 1 is a right side elevation view of a drinking mug with a detachable writing instrument incorporated in the handle of the mug and mug surfaces on which the writing instrument can write, embodying my new design;

(56) **References Cited**

U.S. PATENT DOCUMENTS

D66,882 S * 3/1925 Saunders D7/622
D70,329 S * 6/1926 Johnson D7/536
D165,834 S * 2/1952 Gardner D7/536
D198,303 S * 5/1964 Dewenter D7/413
D239,151 S * 3/1976 Lundin D7/523
D333,001 S * 2/1993 Harvey D24/116
D370,831 S * 6/1996 Steinfels et al. D7/536
D371,049 S * 6/1996 Cuthbertson et al. D7/536

FIG. 2 is a front end elevation view thereof;

FIG. 3 is a left side elevation view thereof;

FIG. 4 is a rear end elevation view thereof;

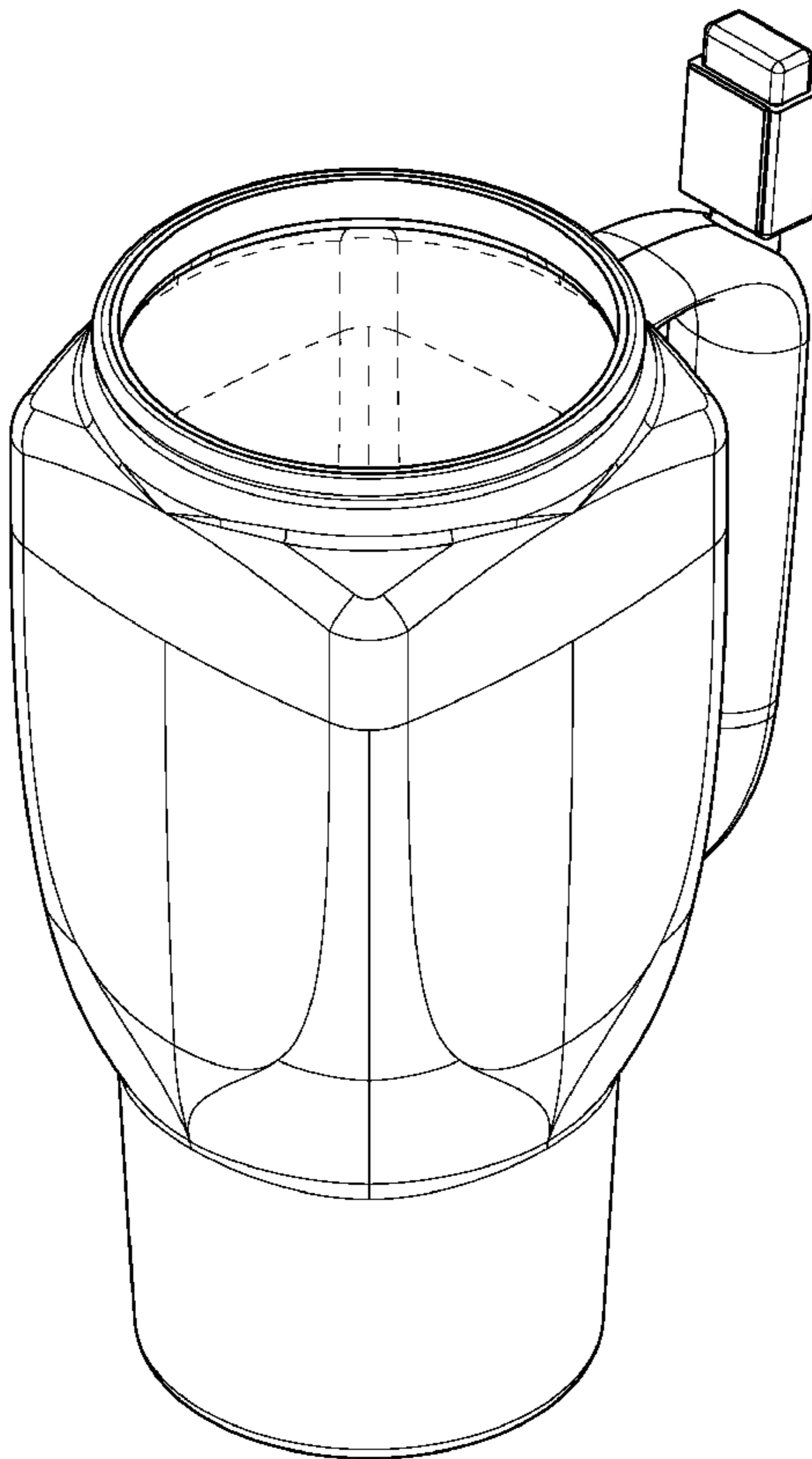
FIG. 5 is a top plan view thereof;

FIG. 6 is a bottom plan view thereof; and,

FIG. 7 is a left front perspective view thereof.

The broken lines depict unclaimed environmental structure.

1 Claim, 7 Drawing Sheets



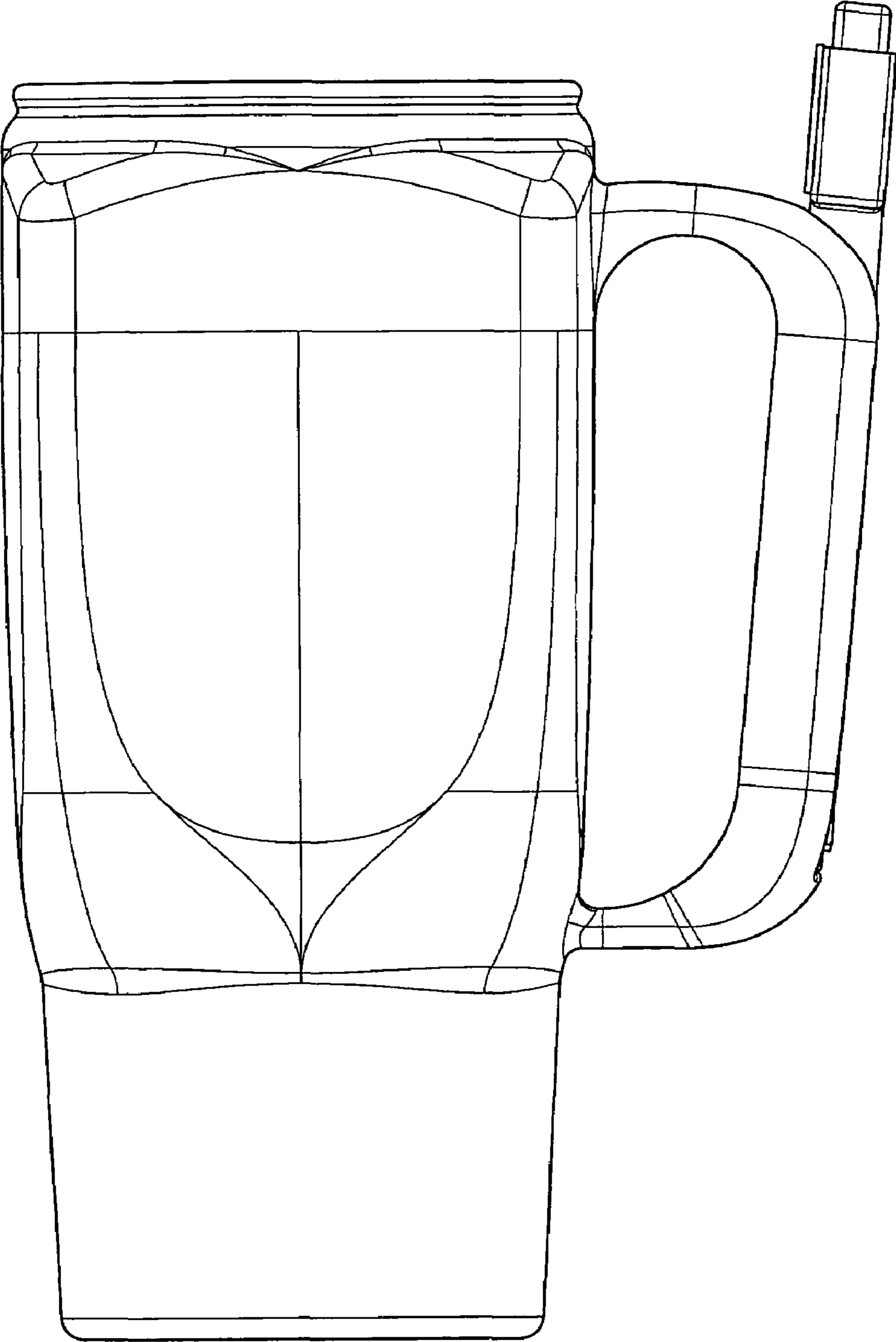


Fig. 1

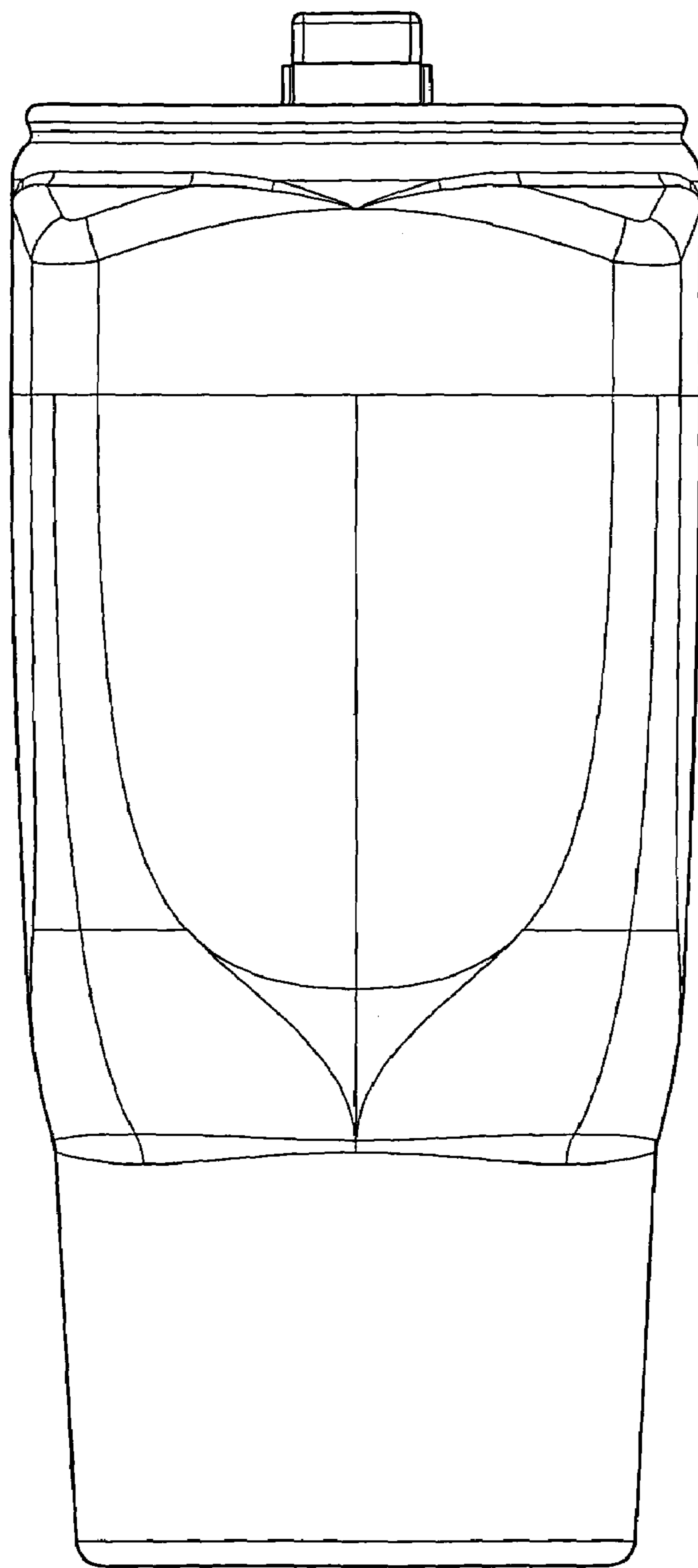


Fig. 2

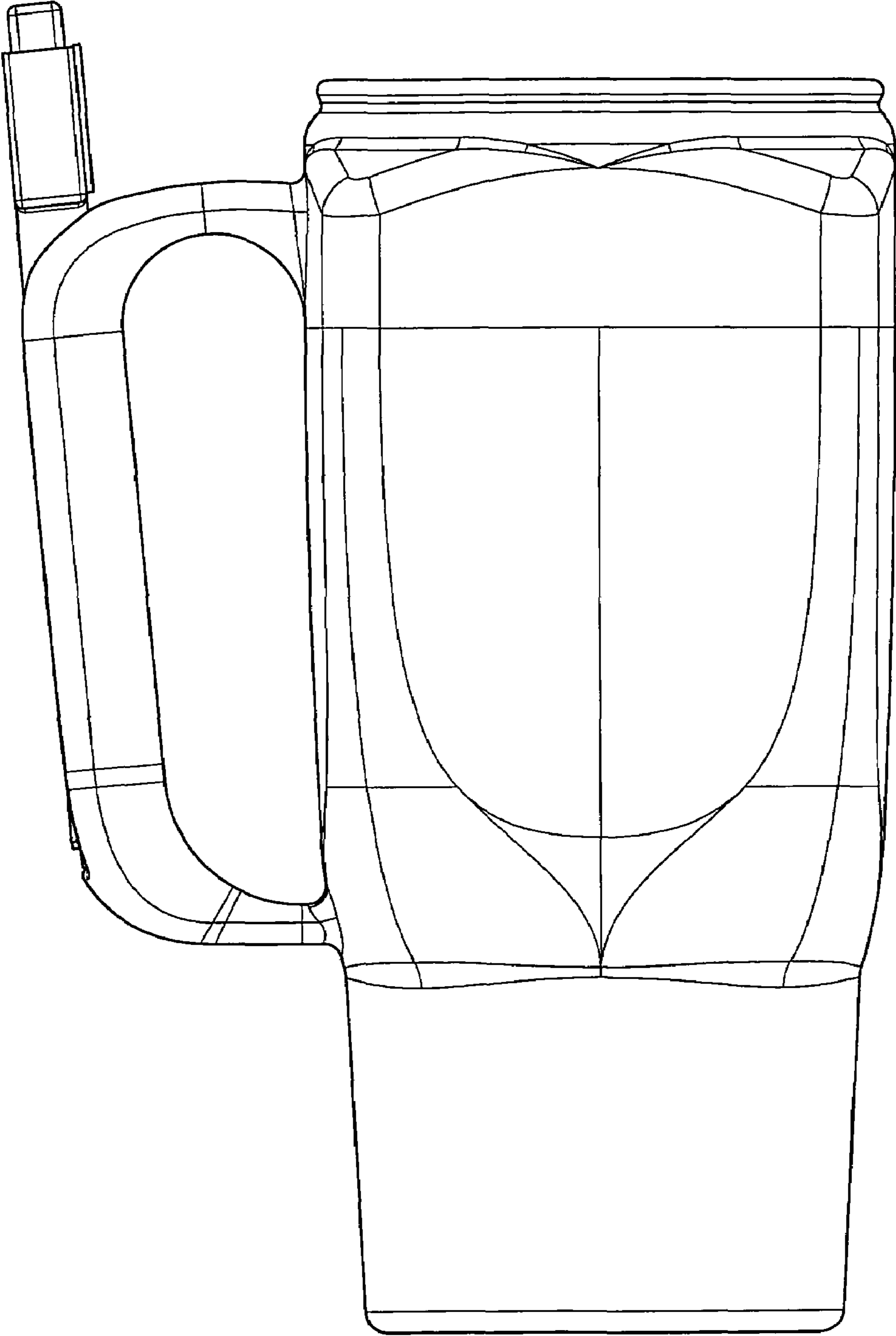


Fig. 3

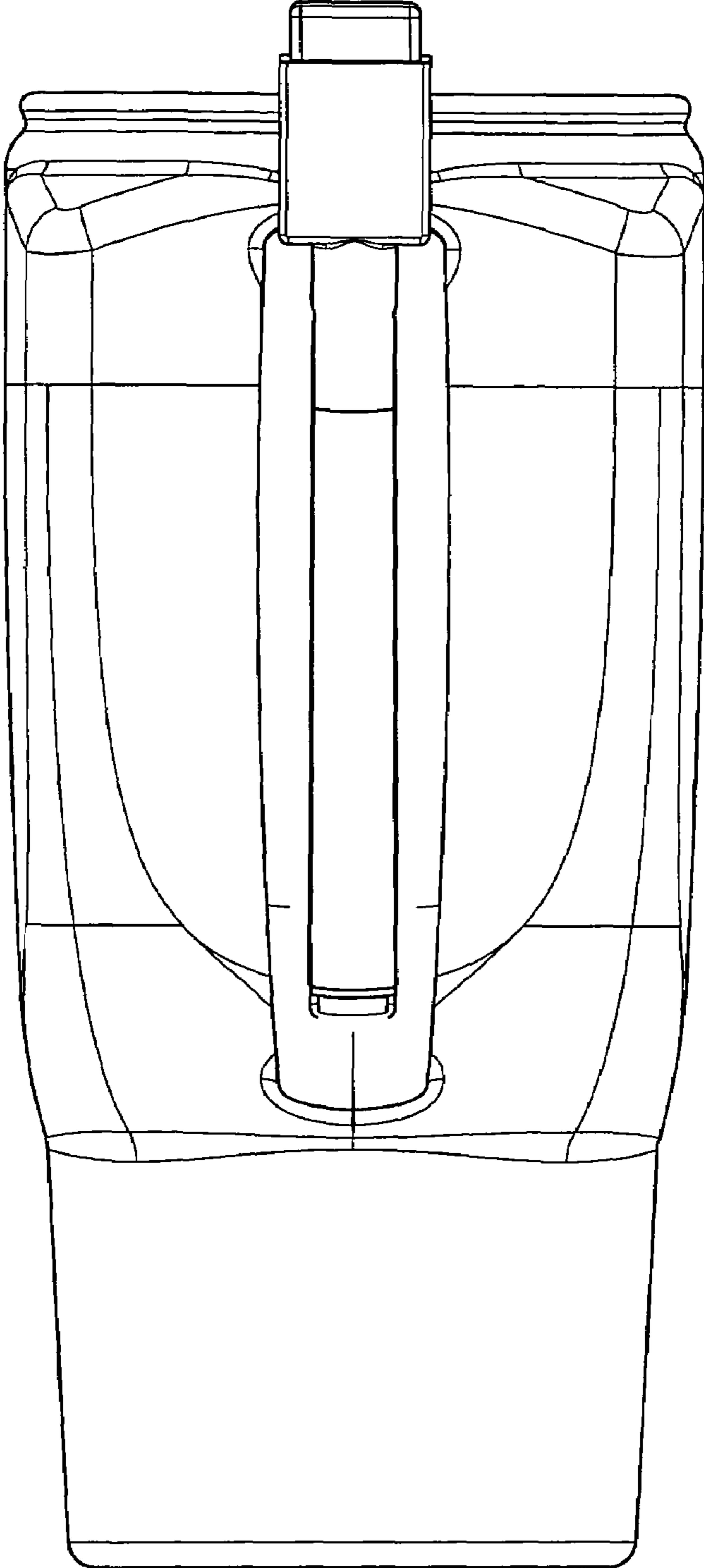


Fig. 4

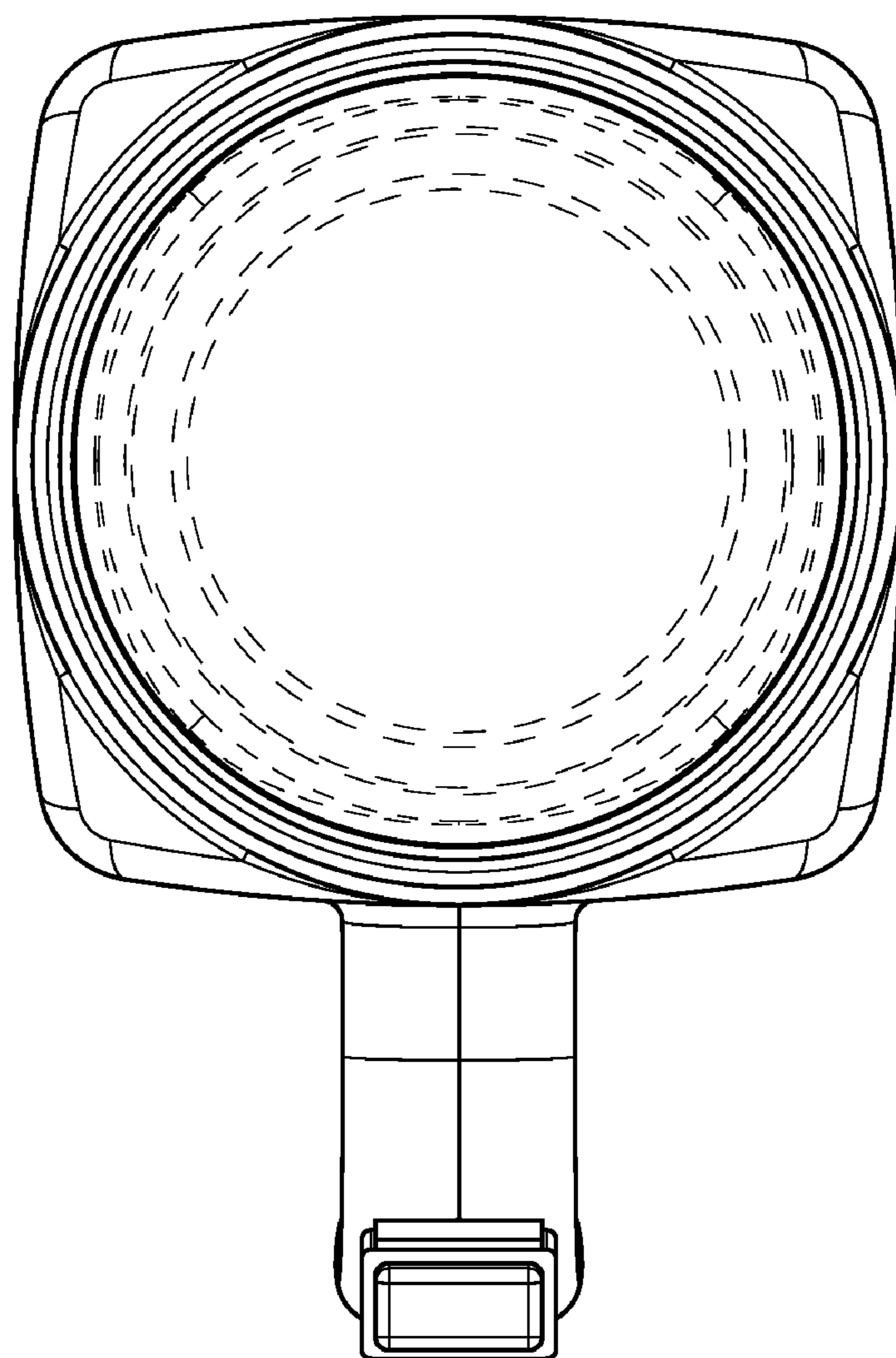


Fig. 5

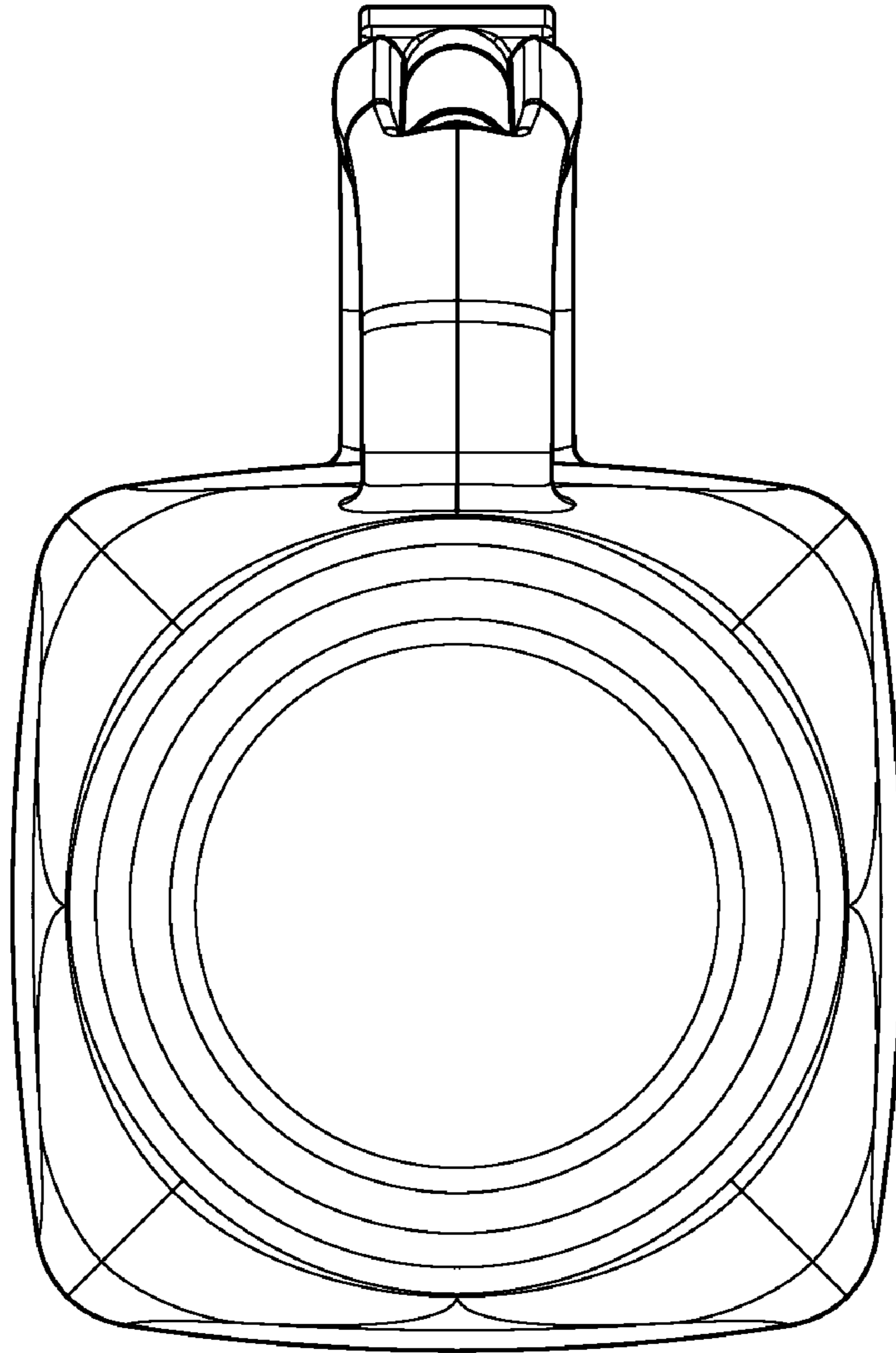


Fig. 6

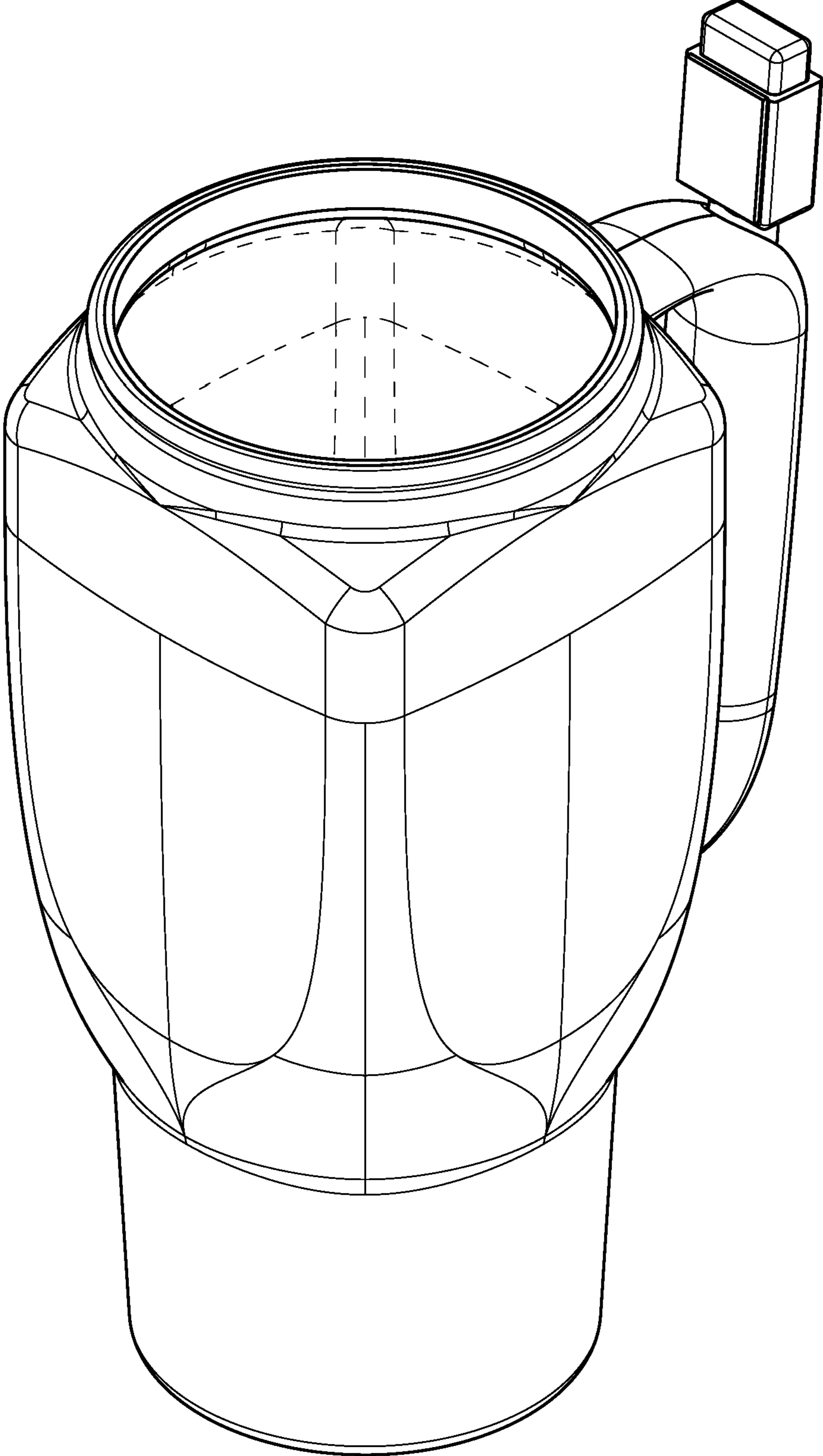


Fig. 7