



US00D596898S

(12) **United States Design Patent**
Tetreault et al.

(10) **Patent No.:** **US D596,898 S**
(45) **Date of Patent:** **** Jul. 28, 2009**

(54) **GRIPPING PORTION OF A COOKWARE HANDLE**

(75) Inventors: **Joel Tetreault**, Roswell, GA (US); **Lars Blacken**, Roswell, GA (US)

(73) Assignee: **Calphalon Corporation**, Atlanta, GA (US)

(**) Term: **14 Years**

(21) Appl. No.: **29/327,328**

(22) Filed: **Nov. 4, 2008**

(51) **LOC (9) Cl.** **07-02**

(52) **U.S. Cl.** **D7/395**

(58) **Field of Classification Search** D7/354–361, D7/393–395; D8/107, 307, 300; D4/138, D4/129; 16/430, 431, 110.1, 407; 220/573.1–573.5, 220/752, 753, 755, 756, 759, 771, 912
See application file for complete search history.

(56) **References Cited**

U.S. PATENT DOCUMENTS

D482,567 S *	11/2003	Demers	D7/395
D555,425 S *	11/2007	Rae	D7/395
D560,426 S *	1/2008	Prakasa	D7/395
D560,428 S *	1/2008	Prakasa	D7/395
D560,429 S *	1/2008	Prakasa	D7/395
D567,579 S *	4/2008	Rae	D7/393
D575,982 S *	9/2008	Rae	D7/393
D578,345 S *	10/2008	Rae	D7/393

* cited by examiner

Primary Examiner—Holly H Baynham

Assistant Examiner—Cynthia M Chin

(74) *Attorney, Agent, or Firm*—Gardner Groff Greenwald & Villanueva, PC
M

(57) **CLAIM**

The ornamental design for a gripping portion of a cookware handle, as shown and described.

DESCRIPTION

FIG. 1 is a perspective view of a gripping portion of a cookware handle according to the present invention and shown with a mounting portion attached to a portion of a pot.

FIG. 2 is a side view of the gripping portion of the cookware handle of FIG. 1, the opposite side view being a mirror image thereof.

FIG. 3 is a front view of the gripping portion of the cookware handle of FIG. 1.

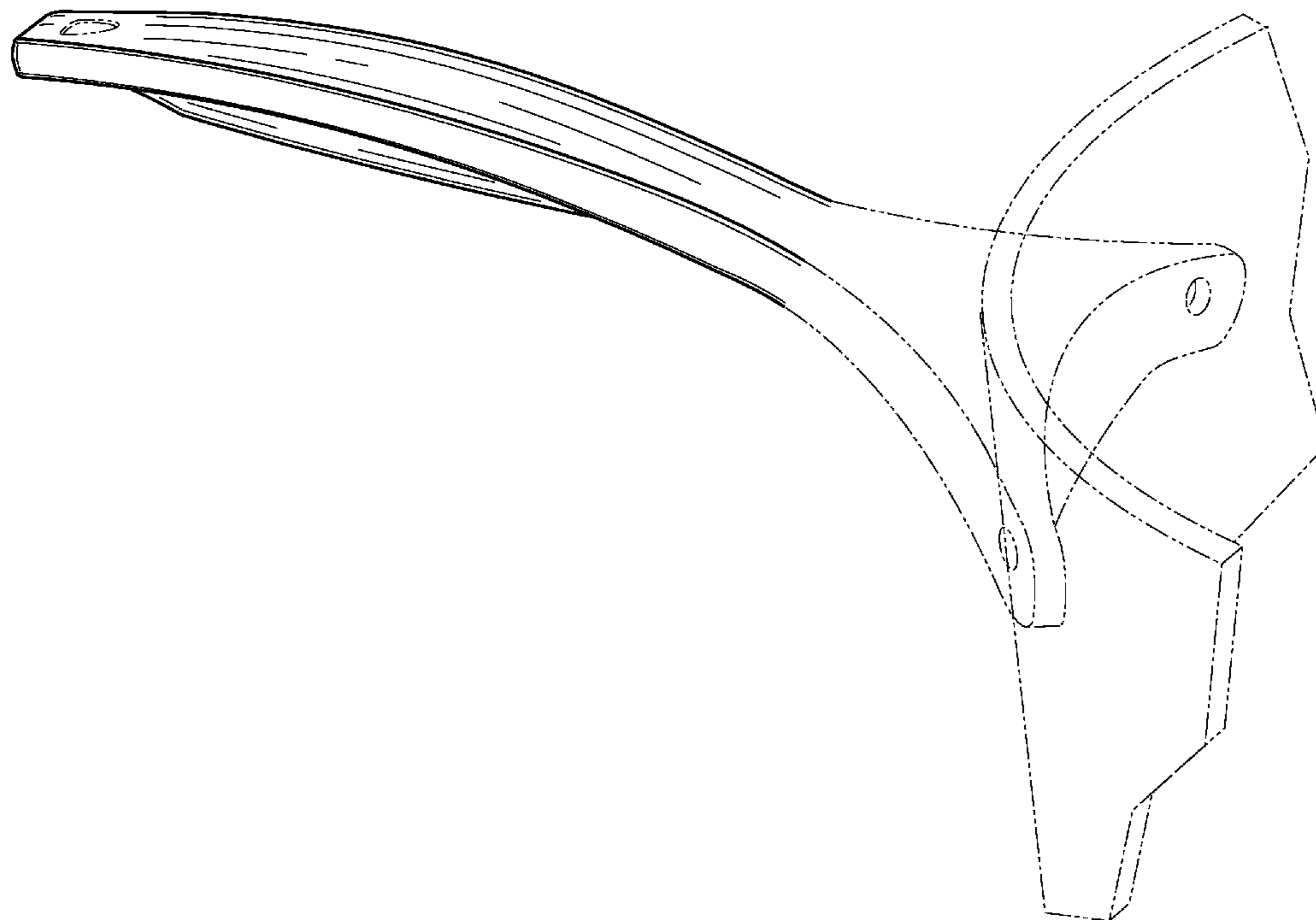
FIG. 4 is a rear view of the gripping portion of the cookware handle of FIG. 1.

FIG. 5 is a top view of the gripping portion of the cookware handle of FIG. 1; and,

FIG. 6 is a bottom view of the gripping portion of the cookware handle of FIG. 1.

The mounting portion shown in broken lines in FIGS. 1–6 is included for illustrative purposes only and forms no part of the claimed design.

1 Claim, 4 Drawing Sheets



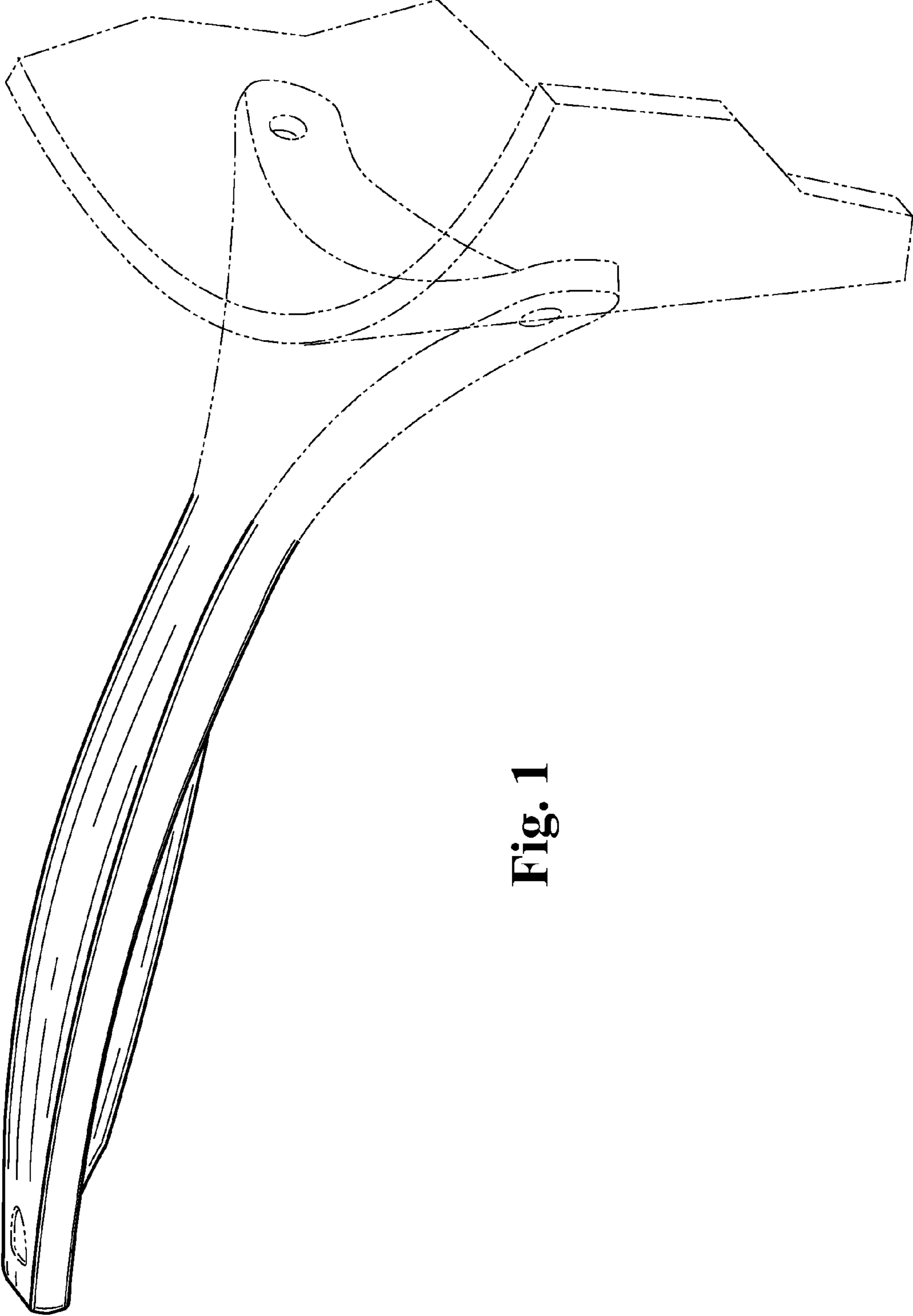


Fig. 1

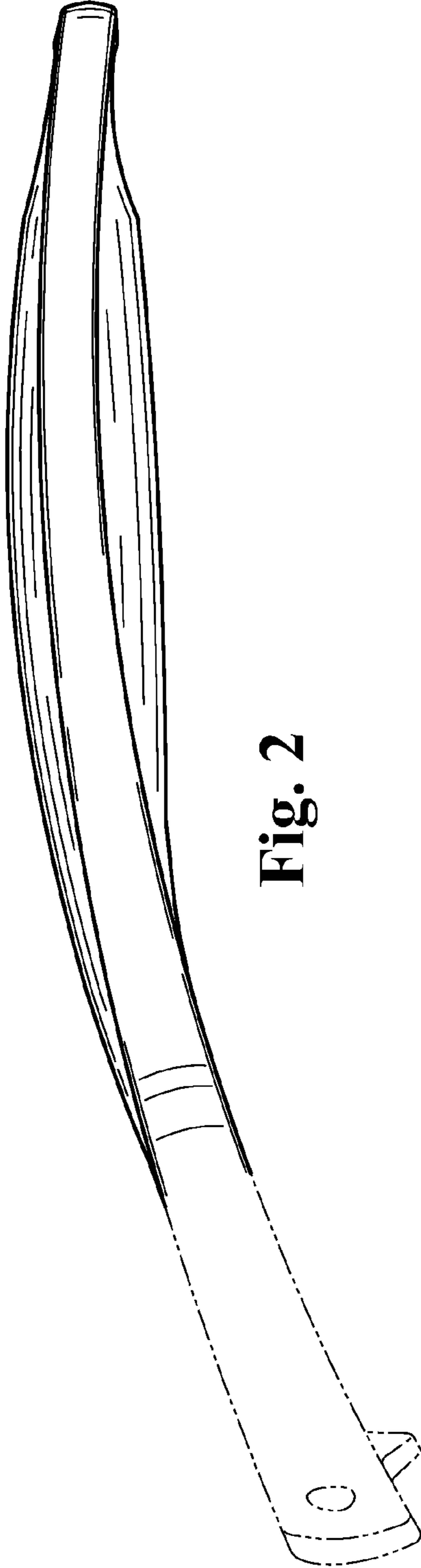


Fig. 2

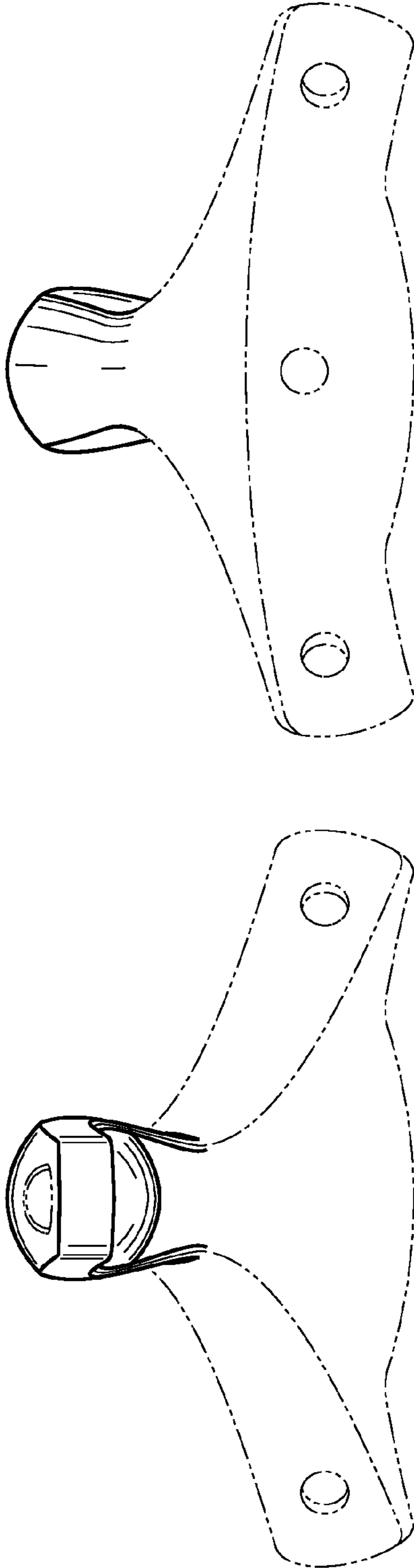


Fig. 3

Fig. 4

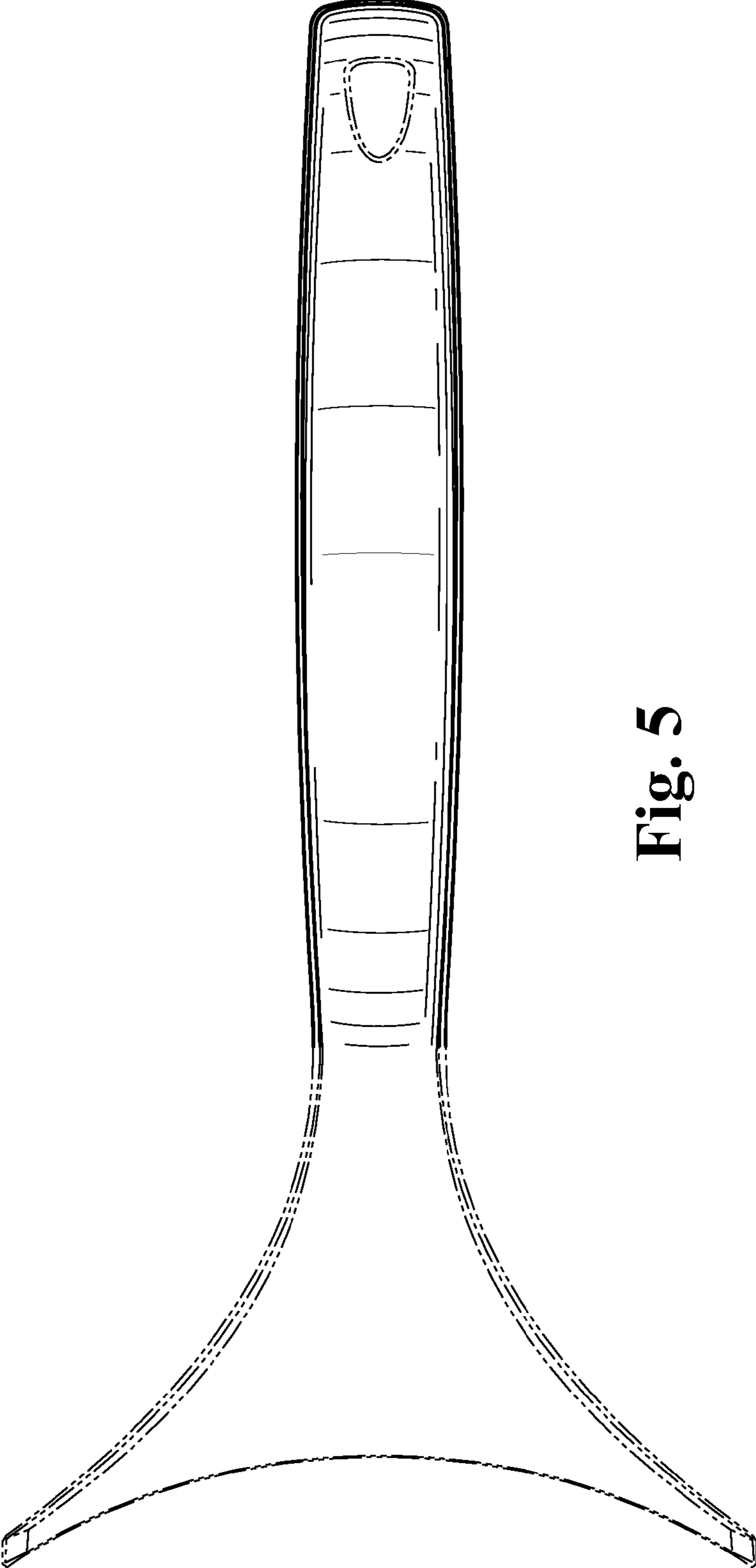


Fig. 5

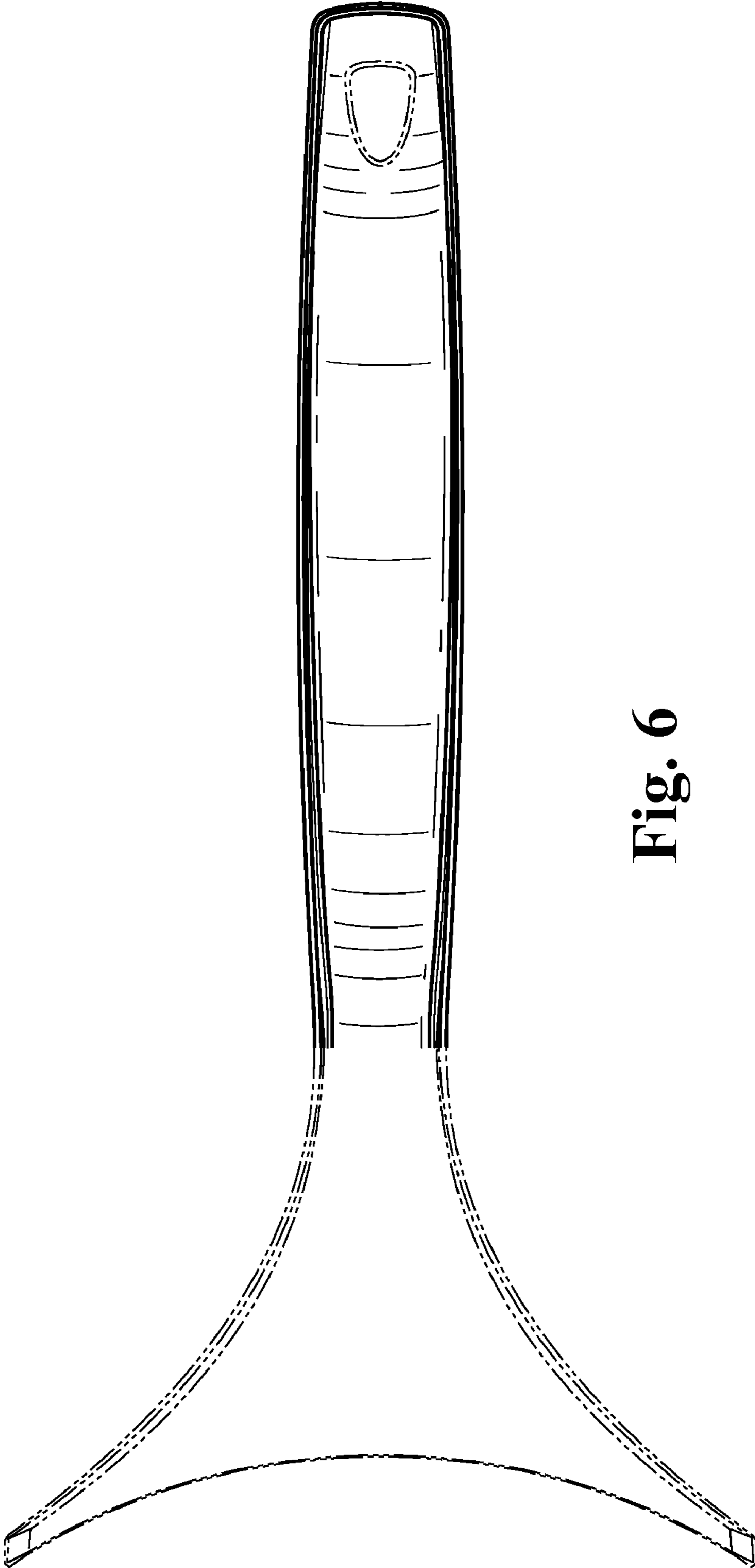


Fig. 6