



US00D596897S

(12) **United States Design Patent**
Tetreault et al.

(10) **Patent No.:** **US D596,897 S**
(45) **Date of Patent:** **** Jul. 28, 2009**

(54) **COOKWARE HANDLE**

D575,982 S * 9/2008 Rae D7/393
D578,345 S * 10/2008 Rae D7/393

(75) Inventors: **Joel Tetreault**, Roswell, GA (US); **Lars Blacken**, Roswell, GA (US)

* cited by examiner

(73) Assignee: **Calphalon Corporation**, Atlanta, GA (US)

Primary Examiner—Holly H Baynham

Assistant Examiner—Cynthia M Chin

(74) *Attorney, Agent, or Firm*—Gardner Groff Greenwald & Villanueva, PC

(**) Term: **14 Years**

(21) Appl. No.: **29/327,325**

(57) **CLAIM**

(22) Filed: **Nov. 4, 2008**

The ornamental design for a cookware handle, as shown and described.

(51) **LOC (9) Cl.** **07-02**

(52) **U.S. Cl.** **D7/395**

(58) **Field of Classification Search** D7/354–361, D7/393–395; D8/107, 307, 300; D4/138, D4/129; 16/430, 431, 110.1, 407; 220/573.1–573.5, 220/752, 753, 755, 756, 759, 771, 912
See application file for complete search history.

DESCRIPTION

FIG. 1 is a perspective view of a cookware handle according to the present invention and shown attached to a portion of a pot.

FIG. 2 is a side view of the cookware handle of FIG. 1, the opposite side view being a mirror image thereof.

FIG. 3 is a front view of the cookware handle of FIG. 1.

FIG. 4 is a rear view of the cookware handle of FIG. 1.

FIG. 5 is a top view of the cookware handle of FIG. 1; and,

FIG. 6 is a bottom view of the cookware handle of FIG. 1.

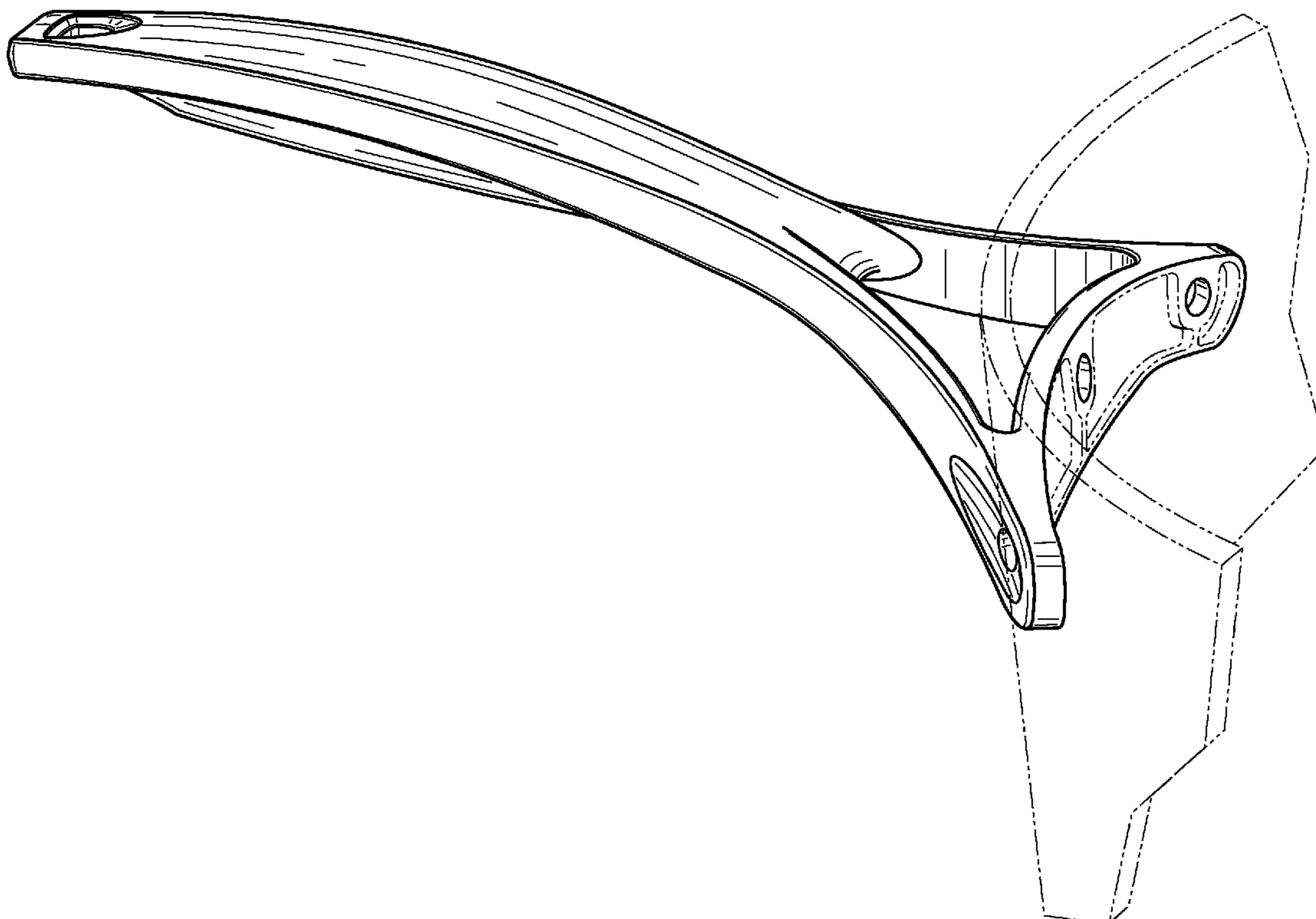
The broken lines of FIG. 1 are for illustrative purposes only and form no part of the claimed design.

(56) **References Cited**

U.S. PATENT DOCUMENTS

D482,567 S * 11/2003 Demers D7/395
D555,425 S * 11/2007 Rae D7/395
D560,426 S * 1/2008 Prakasa D7/395
D560,428 S * 1/2008 Prakasa D7/395
D560,429 S * 1/2008 Prakasa D7/395
D567,579 S * 4/2008 Rae D7/393

1 Claim, 4 Drawing Sheets



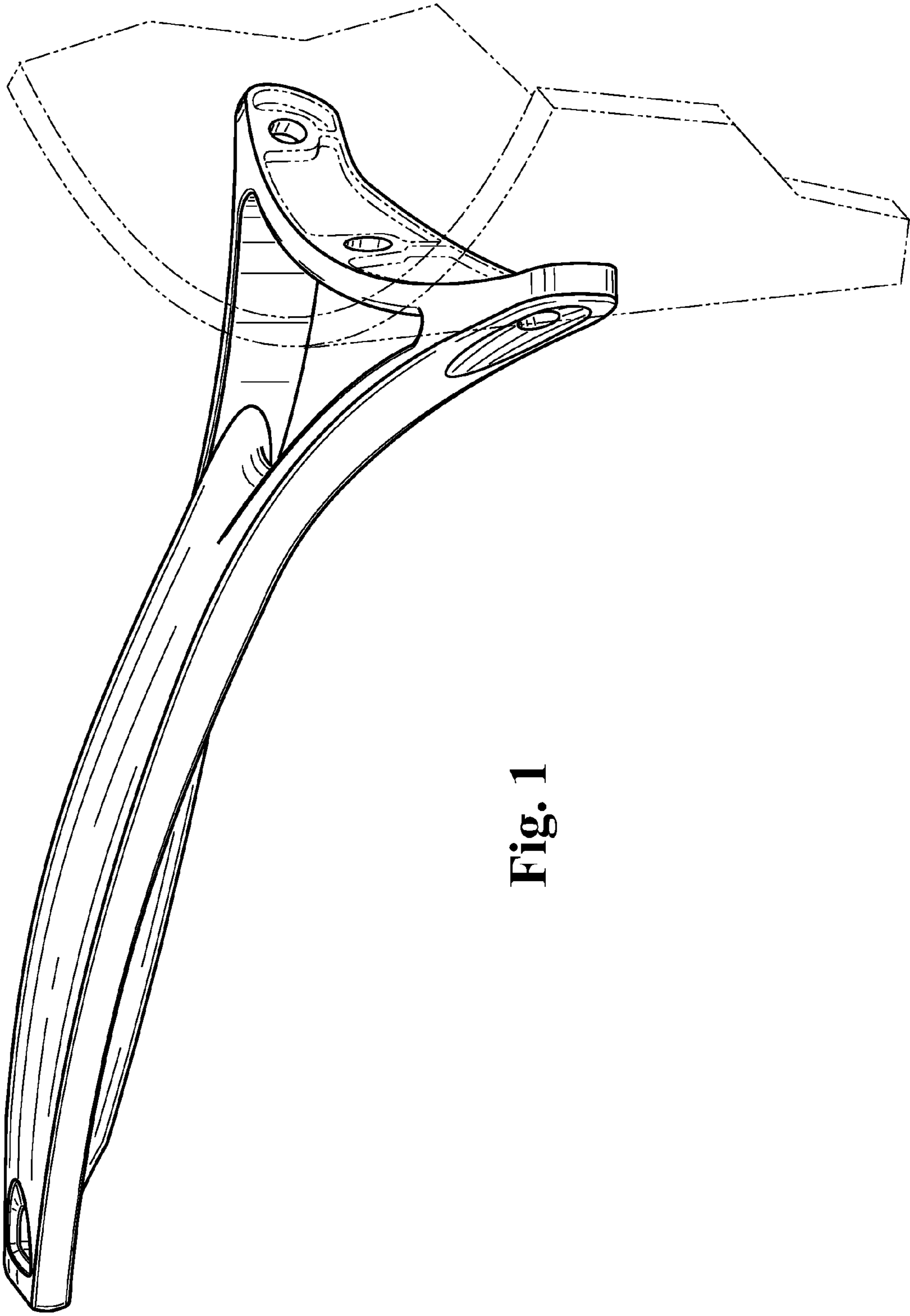


Fig. 1

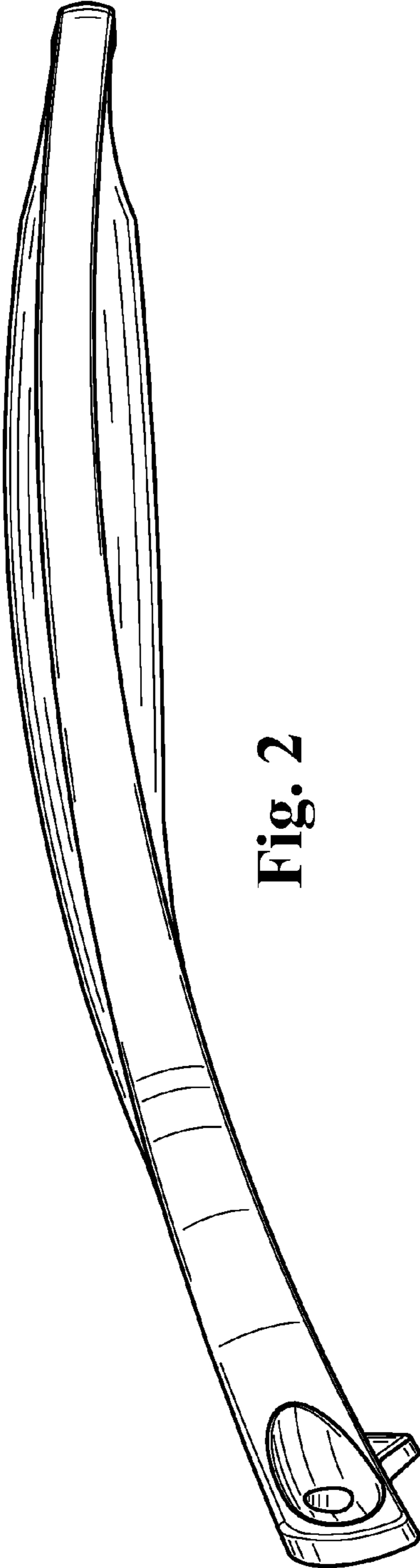


Fig. 2

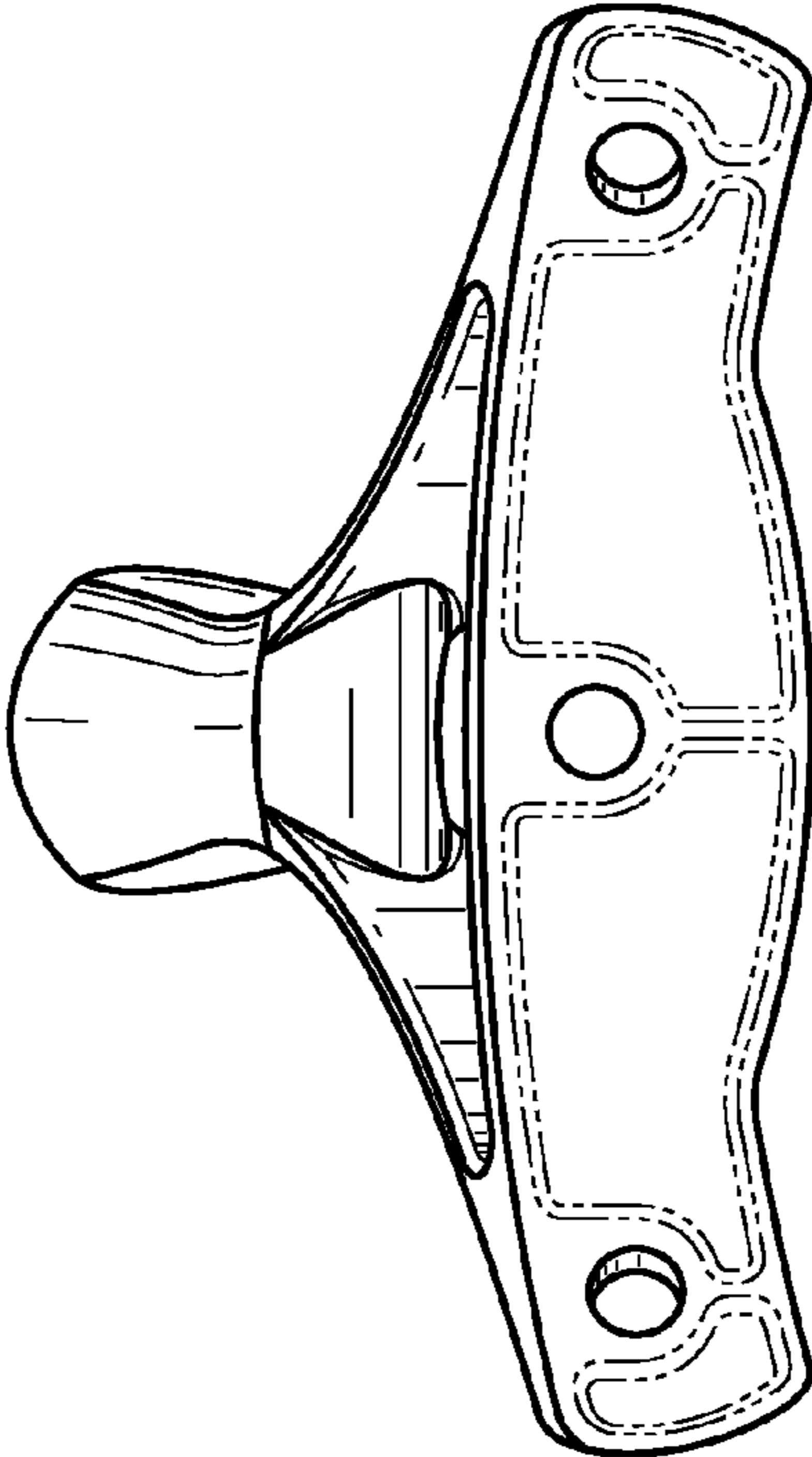


Fig. 4

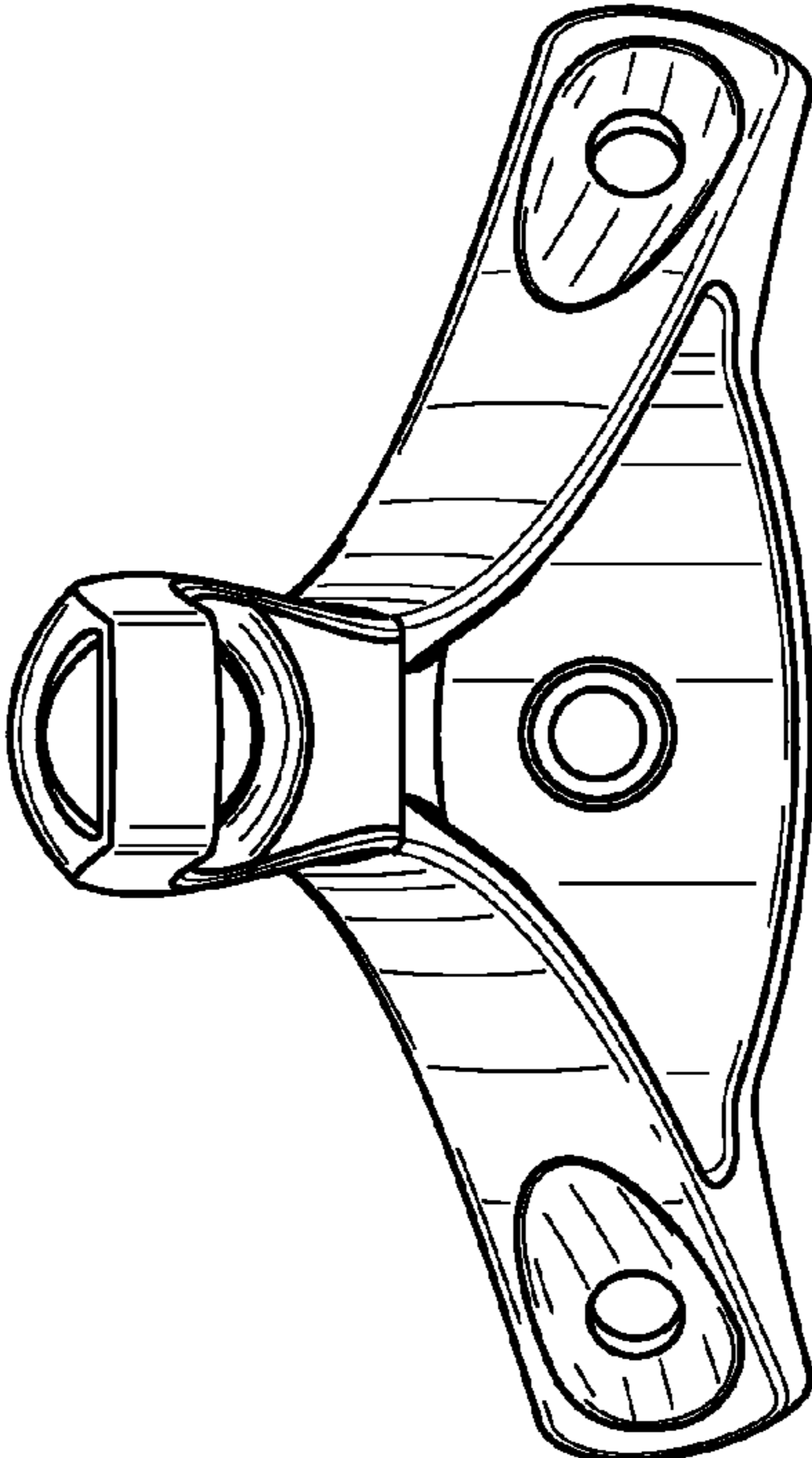


Fig. 3

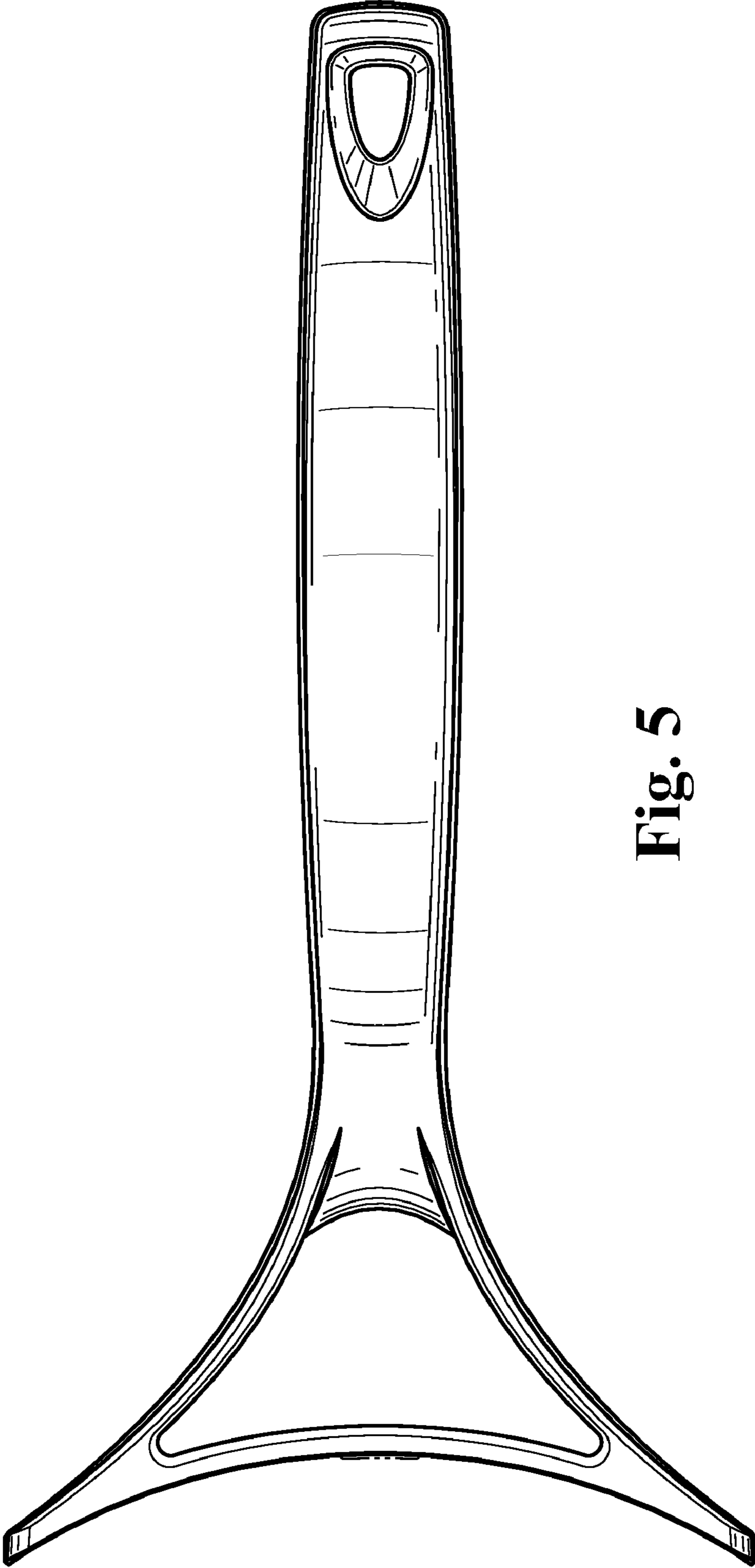


Fig. 5

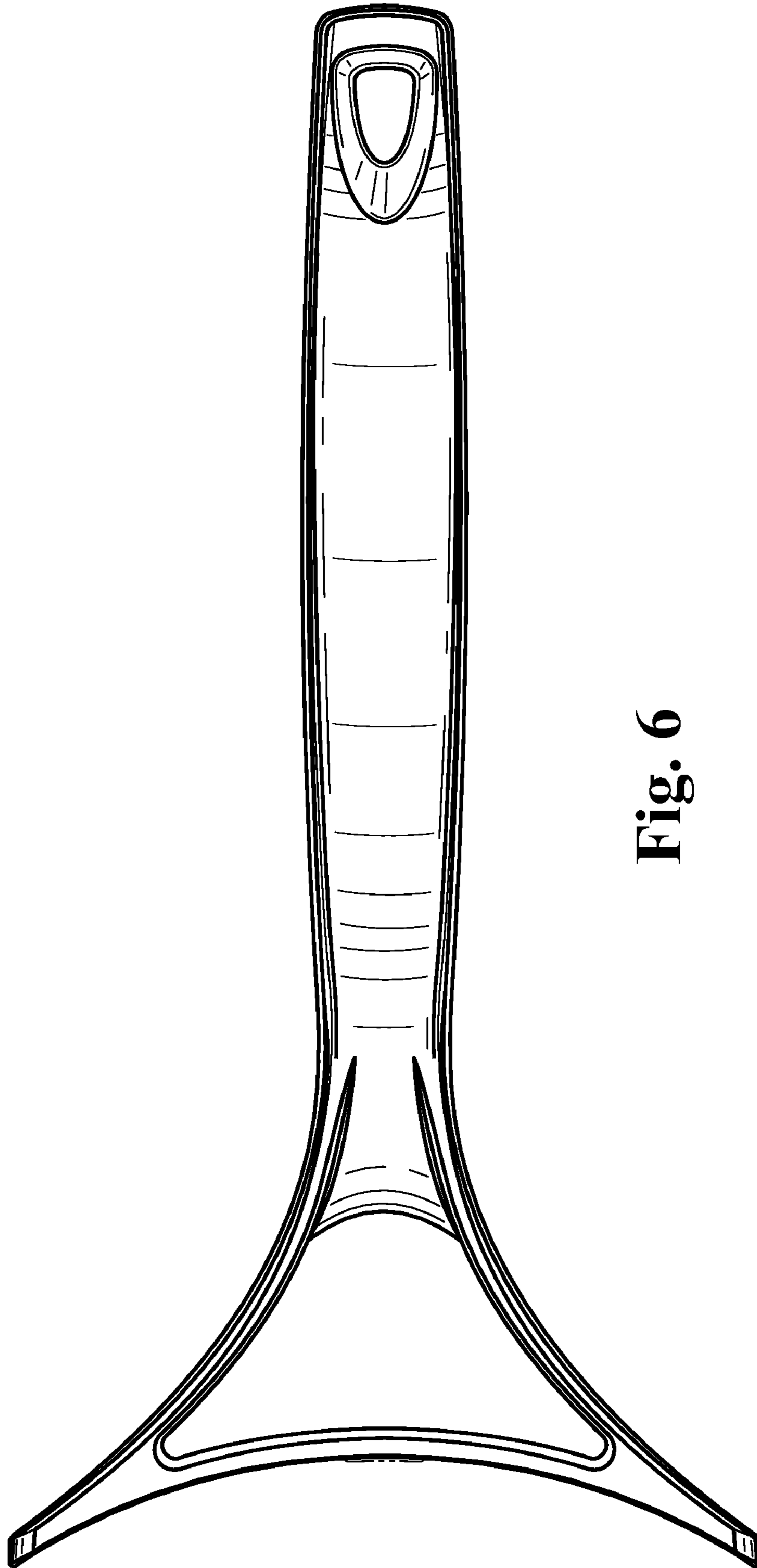


Fig. 6