



US00D596895S

(12) **United States Design Patent**  
**Tetreault et al.**

(10) **Patent No.:** **US D596,895 S**  
(45) **Date of Patent:** **\*\* Jul. 28, 2009**

(54) **MOUNTING PORTION OF A COOKWARE HANDLE**

D580,219 S \* 11/2008 Munari ..... D7/393  
\* cited by examiner

(75) Inventors: **Joel Tetreault**, Roswell, GA (US); **Lars Blacken**, Roswell, GA (US)

*Primary Examiner*—Holly H Baynham  
*Assistant Examiner*—Cynthia M Chin  
(74) *Attorney, Agent, or Firm*—Gardner Groff Greenwald & Villanueva, PC

(73) Assignee: **Calphalon Corporation**, Atlanta, GA (US)

(\*\*) Term: **14 Years**

(57) **CLAIM**

(21) Appl. No.: **29/327,335**

The ornamental design for a mounting portion of a cookware handle, as shown and described.

(22) Filed: **Nov. 4, 2008**

**DESCRIPTION**

(51) **LOC (9) Cl.** ..... **07-02**

FIG. 1 is a perspective view of a mounting portion of a cookware handle according to the present invention and shown attached to a portion of a pot.

(52) **U.S. Cl.** ..... **D7/393**

(58) **Field of Classification Search** ..... D7/354–361, D7/393–395; D8/107, 300, 303, 307; D4/138, D4/129; 16/421, 430, 431, 110.1, 407, DIG. 24; 220/573.1–573.5, 752, 753, 755, 756, 759, 220/771, 912  
See application file for complete search history.

FIG. 2 is a side view of the mounting portion of the cookware handle of FIG. 1, the opposite side view being a mirror image thereof.

FIG. 3 is a front view of the mounting portion of the cookware handle of FIG. 1.

(56) **References Cited**

**U.S. PATENT DOCUMENTS**

- 4,413,767 A \* 11/1983 Hellinger ..... 16/DIG. 24
- D482,567 S \* 11/2003 Demers ..... D7/395
- 6,685,048 B1 \* 2/2004 Ranzoni et al. .... 220/759
- D497,771 S \* 11/2004 Thomkins ..... D7/395
- D555,424 S \* 11/2007 Rae ..... D7/395
- D555,425 S \* 11/2007 Rae ..... D7/395
- D555,971 S \* 11/2007 Rae ..... D7/395
- D555,972 S \* 11/2007 Rae ..... D7/395
- D557,065 S \* 12/2007 Levy et al. .... D7/393
- D560,426 S \* 1/2008 Prakasa ..... D7/395

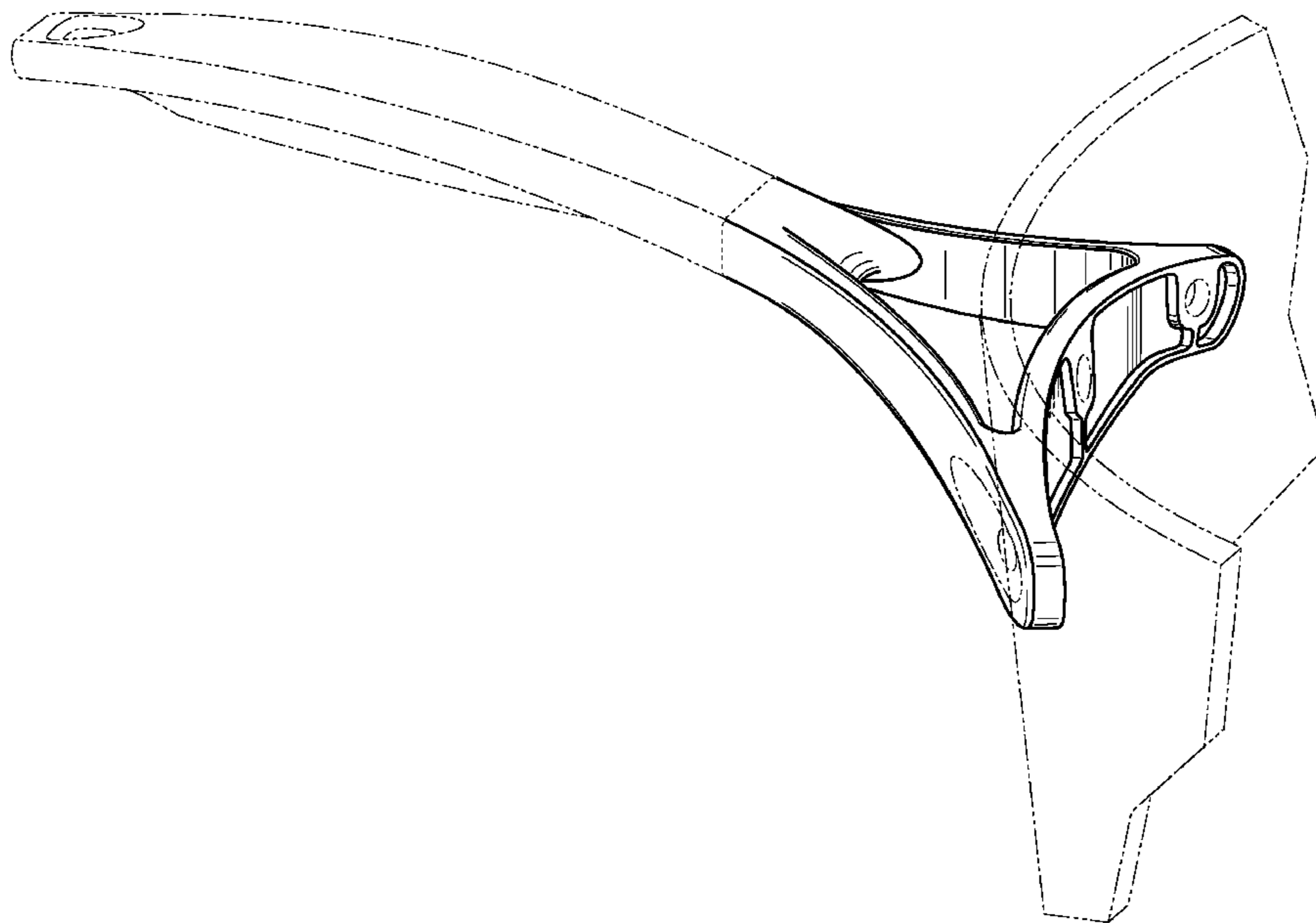
FIG. 4 is a rear view of the mounting portion of the cookware handle of FIG. 1.

FIG. 5 is a top view of the mounting portion of the cookware handle of FIG. 1; and,

FIG. 6 is a bottom view of the mounting portion of the cookware handle of FIG. 1.

The handle portion, and the boundary between the handle portion and the mounting portion, shown in broken lines in FIGS. 1–6 are included for illustrative purposes only and form no part of the claimed design.

**1 Claim, 4 Drawing Sheets**



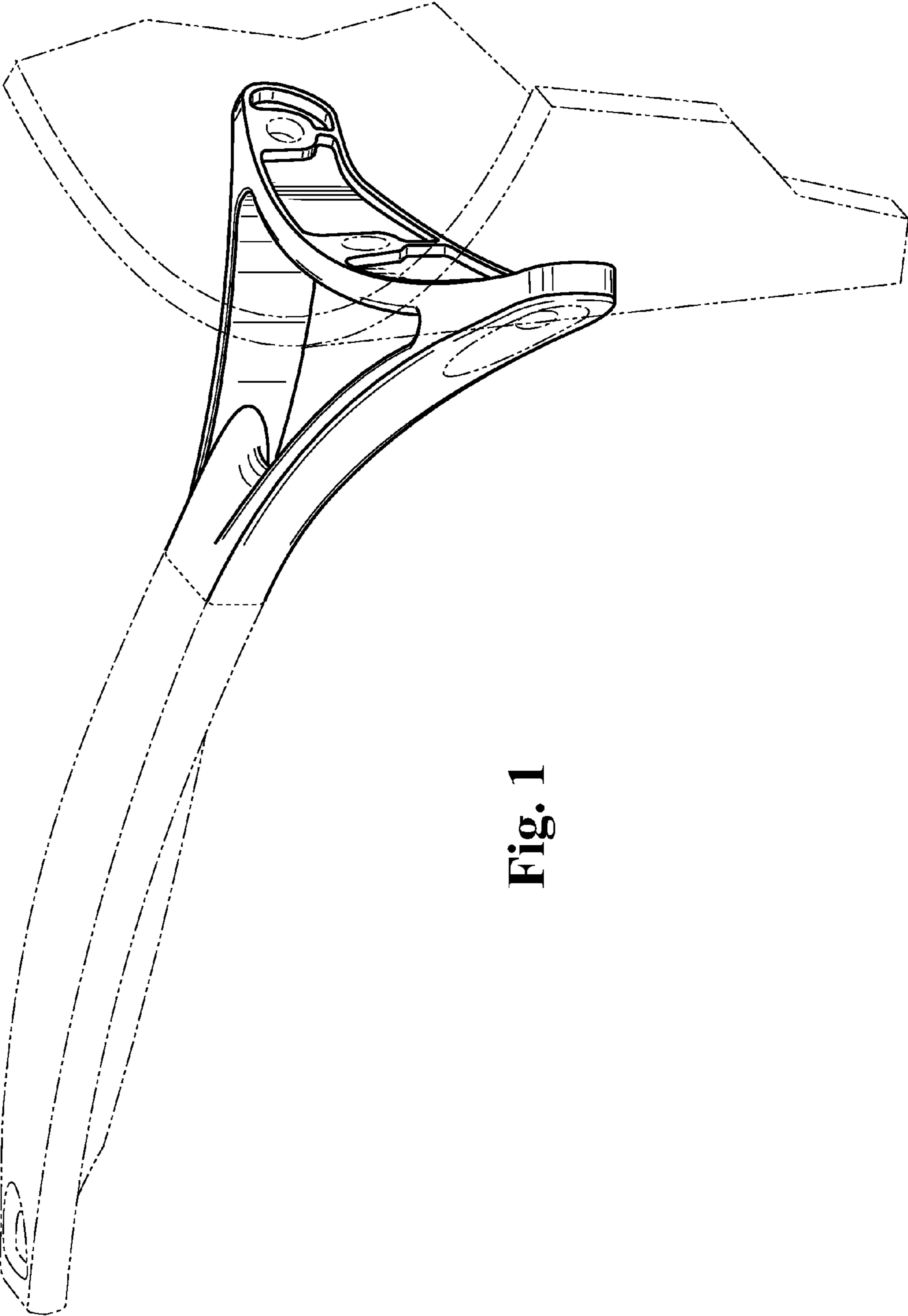


Fig. 1

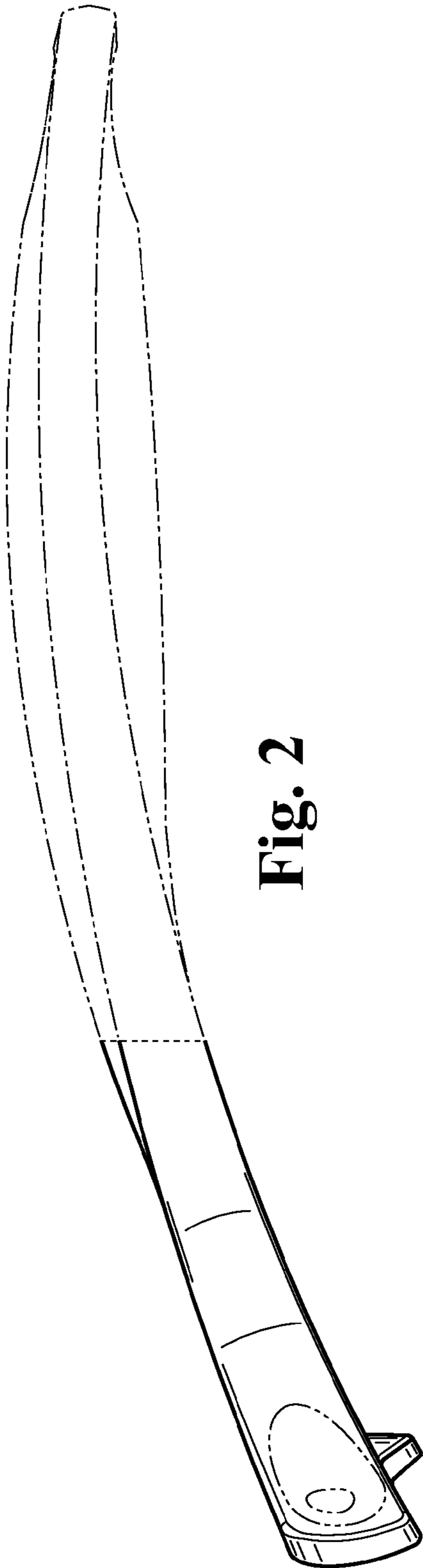


Fig. 2

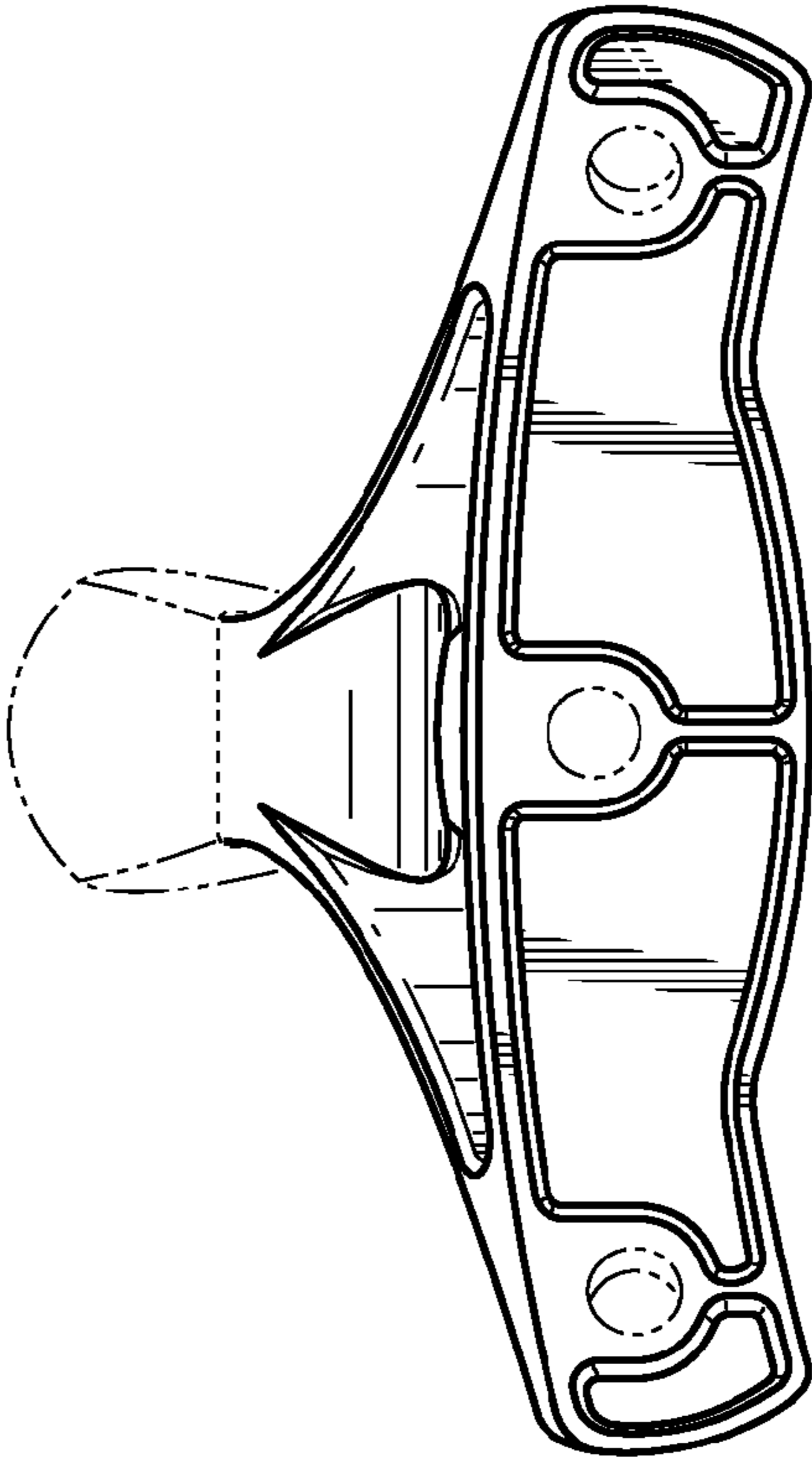


Fig. 4

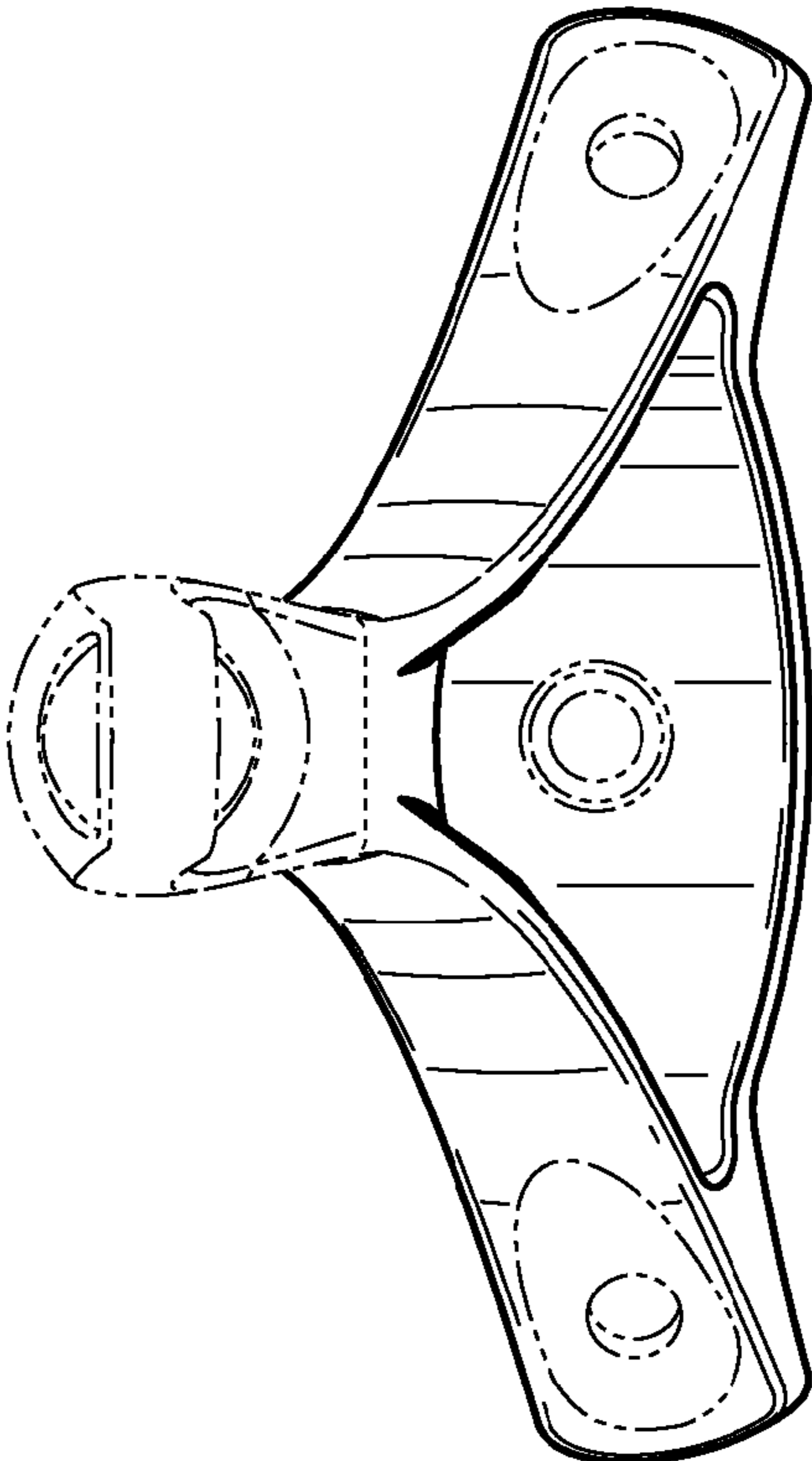


Fig. 3

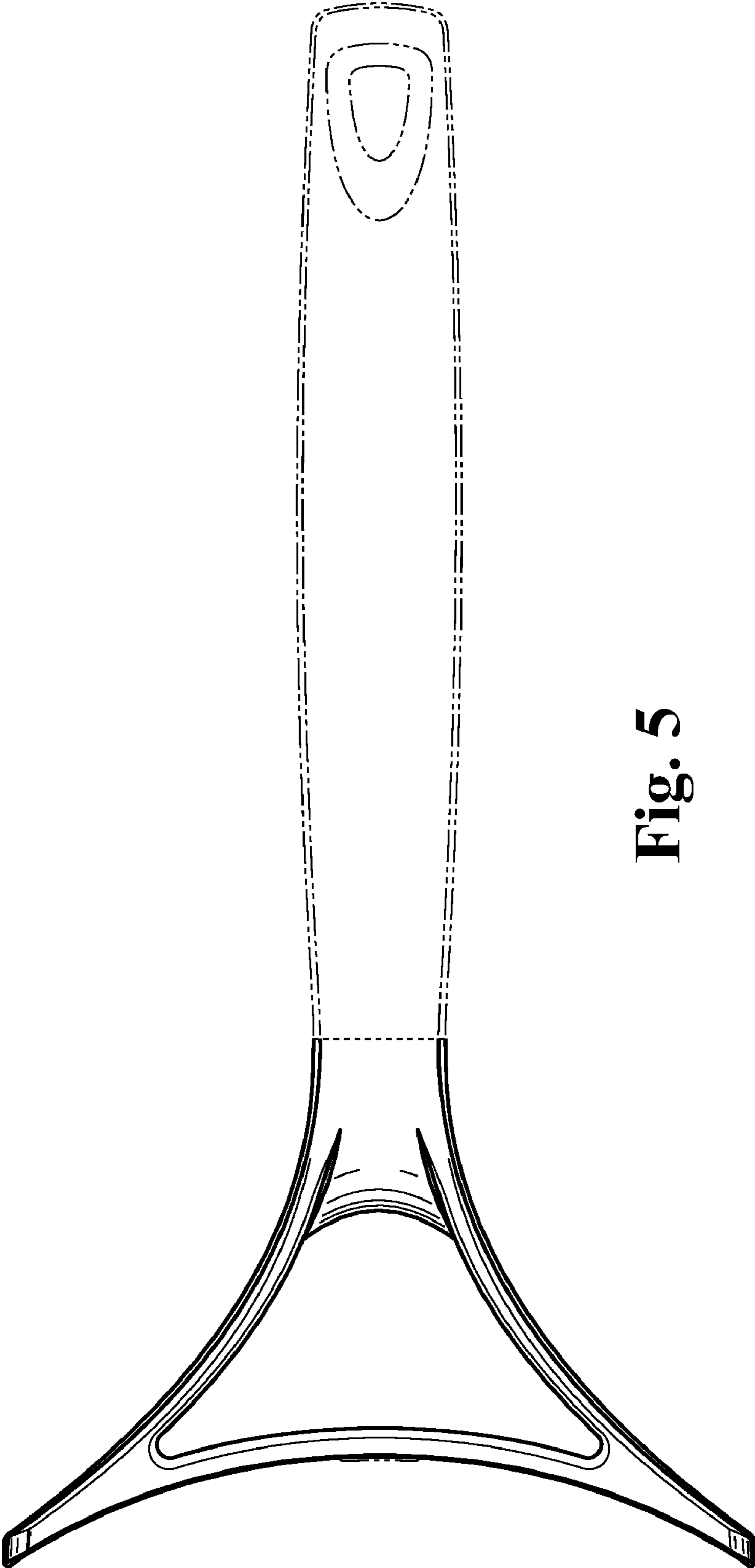
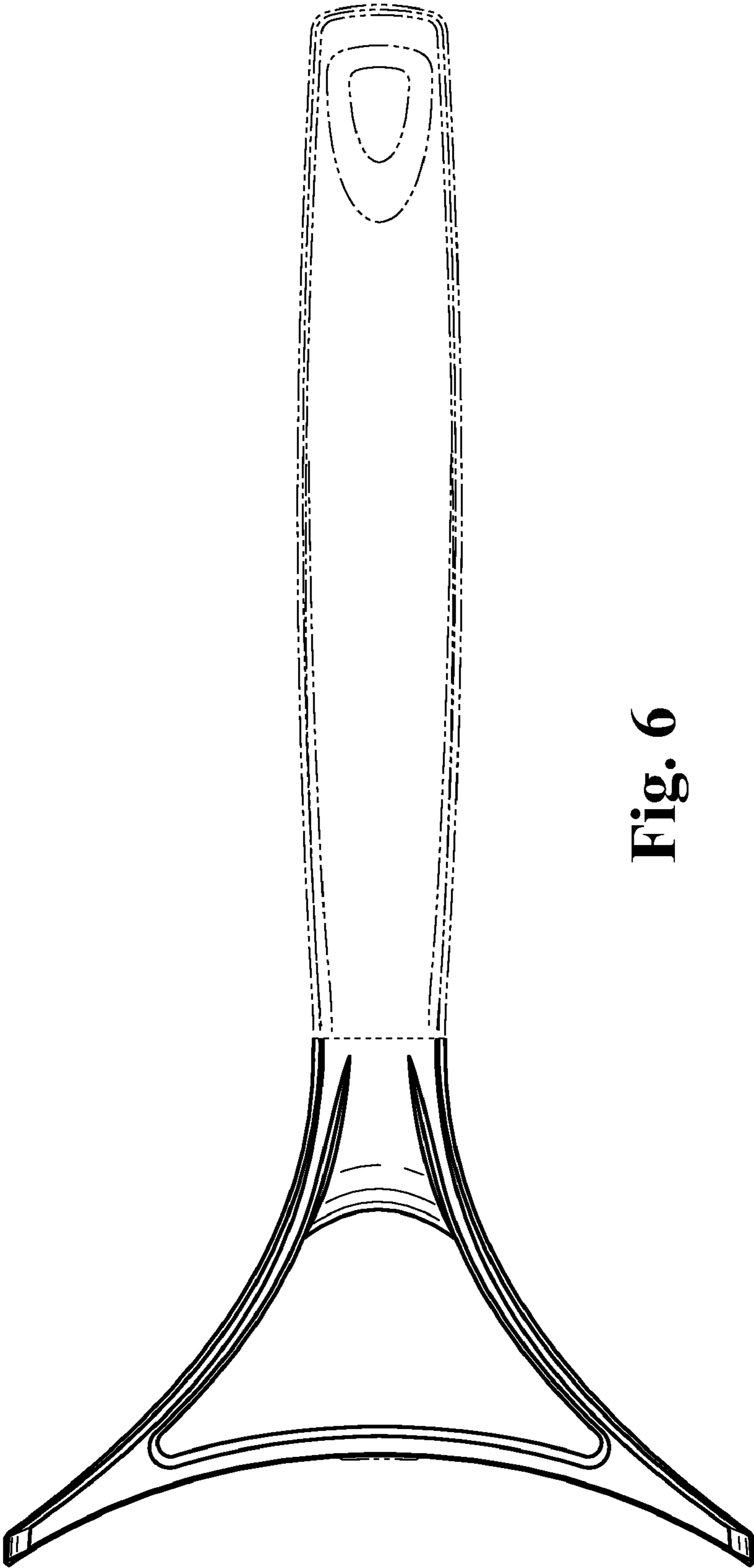


Fig. 5



**Fig. 6**