



US00D596892S

(12) **United States Design Patent**
Vanderminden

(10) **Patent No.:** **US D596,892 S**
(45) **Date of Patent:** **** Jul. 28, 2009**

(54) **COMBINED PEDESTAL TABLE WITH CENTER LID, FIRE PIT AND FIRE SCREEN**

(75) Inventor: **William M. Vanderminden,**
Queensbury, NY (US)

(73) Assignee: **Telescope Casual Furniture Co.,**
Granville, NY (US)

(**) Term: **14 Years**

(21) Appl. No.: **29/301,888**

(22) Filed: **Mar. 20, 2008**

(51) **LOC (9) Cl.** **07-02**

(52) **U.S. Cl.** **D7/335; D6/486**

(58) **Field of Classification Search** D7/332,
D7/334-337, 402-405, 407; 126/25 R, 29-30,
126/25 A, 25 AA, 9 R, 38, 37 R, 41 R, 40,
126/39 E, 39 H, 50, 276, 268, 519, 506; 99/481-482,
99/646 R; D6/480, 486; 108/50.13, 150,
108/51.1, 11; 312/236, 223.1, 351.2, 351.11,
312/100

See application file for complete search history.

(56) **References Cited**

U.S. PATENT DOCUMENTS

D131,939 S *	4/1942	Robinson	D7/332
D253,931 S *	1/1980	DeVischer et al.	D7/332
D280,580 S *	9/1985	Appel et al.	D6/486
D286,002 S *	10/1986	Brix	D7/332
D389,009 S *	1/1998	Baykal	D7/335
D394,779 S *	6/1998	Hilvitz	D7/335
D449,490 S *	10/2001	Frederick	D7/332
D468,952 S *	1/2003	Graham et al.	D7/332
D579,261 S *	10/2008	Chiang	D7/332

* cited by examiner

Primary Examiner—Ruth McInroy

(74) *Attorney, Agent, or Firm*—Francis C. Hand; Carella Byrne Bain et al.

(57) **CLAIM**

I claim the ornamental design for a combined pedestal table with center lid, fire pit and fire screen, as shown and described.

DESCRIPTION

FIG. 1 is a front perspective view of a combined pedestal table with center lid, fire pit and fire screen showing my new design, with the center lid covering the fire pit;

FIG. 2 is a front view of FIG. 1, the remaining side views and rear view being symmetrical;

FIG. 3 is a top view of FIG. 1;

FIG. 4 is a bottom view of FIG. 1;

FIG. 5 is a front perspective view of the pedestal table with the center lid removed to expose the fire pit;

FIG. 6 is a front view of FIG. 5, the remaining side views and rear view being symmetrical;

FIG. 7 is a top view of FIG. 5;

FIG. 8 is a bottom view of FIG. 5;

FIG. 9 is a front perspective view of a pedestal table with the fire screen covering the fire pit;

FIG. 10 is a front view of FIG. 9, the remaining side views and rear view being symmetrical;

FIG. 11 is a top view of FIG. 9; and,

FIG. 12 is a bottom view of FIG. 9.

1 Claim, 12 Drawing Sheets

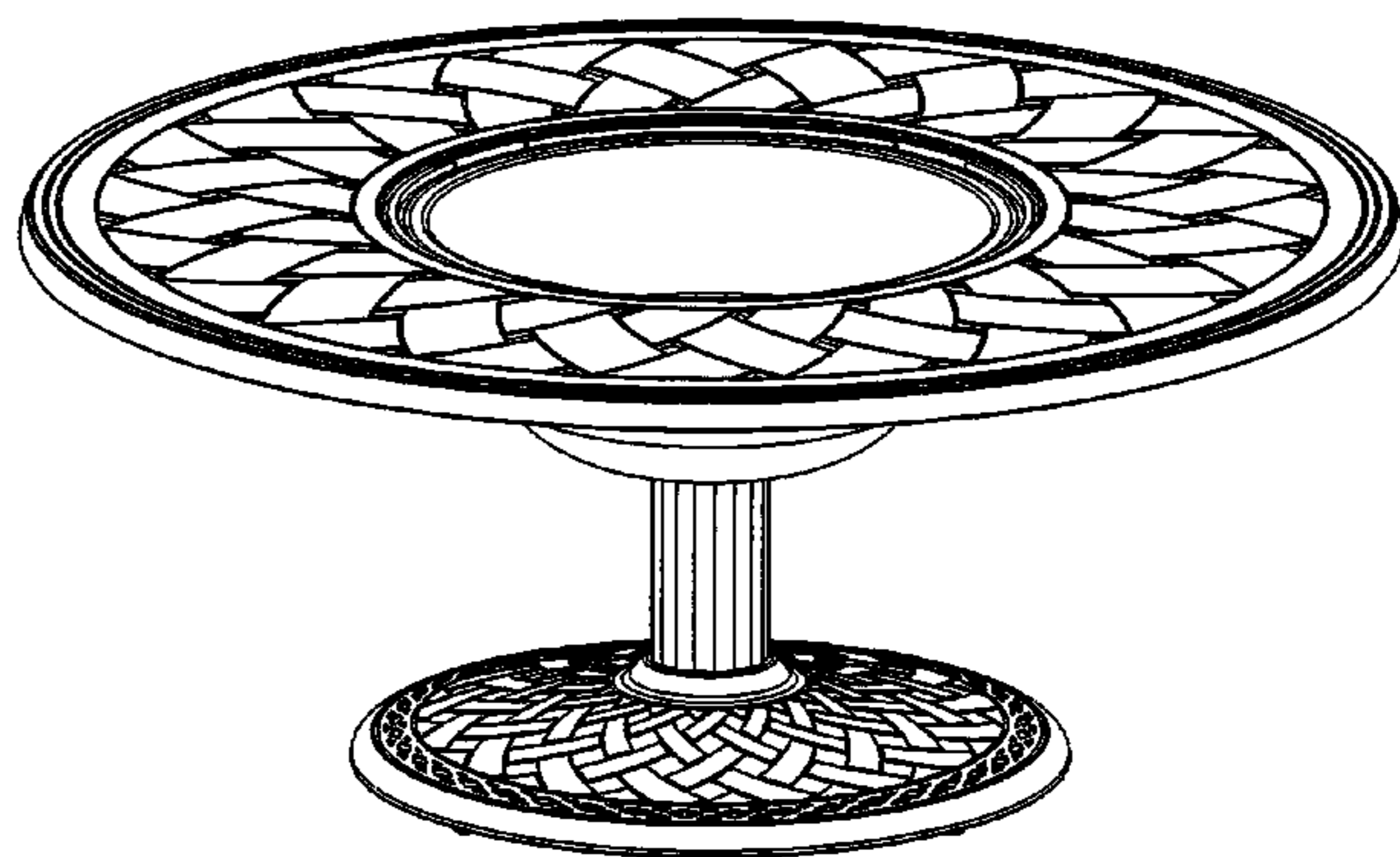
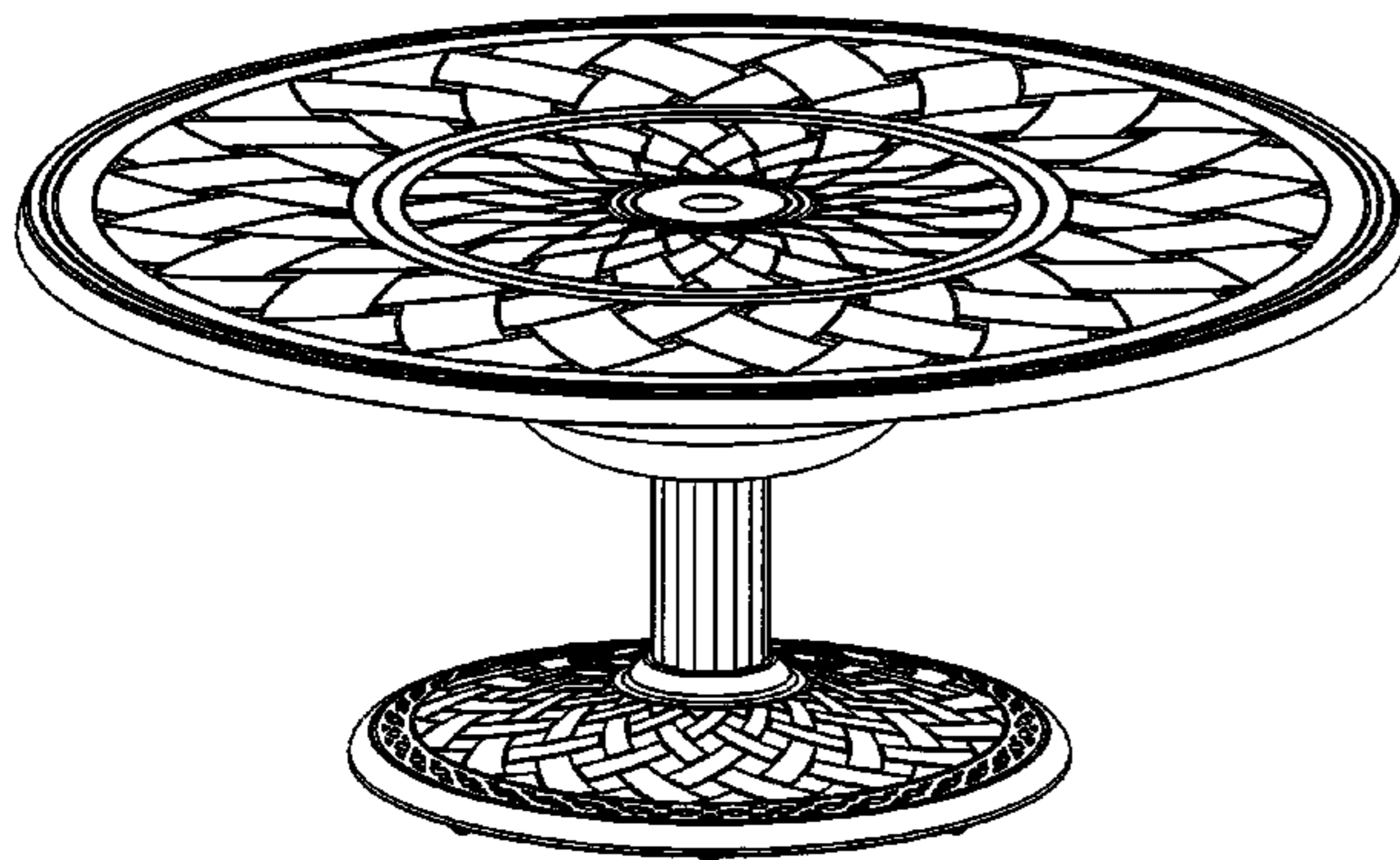


FIG. 1

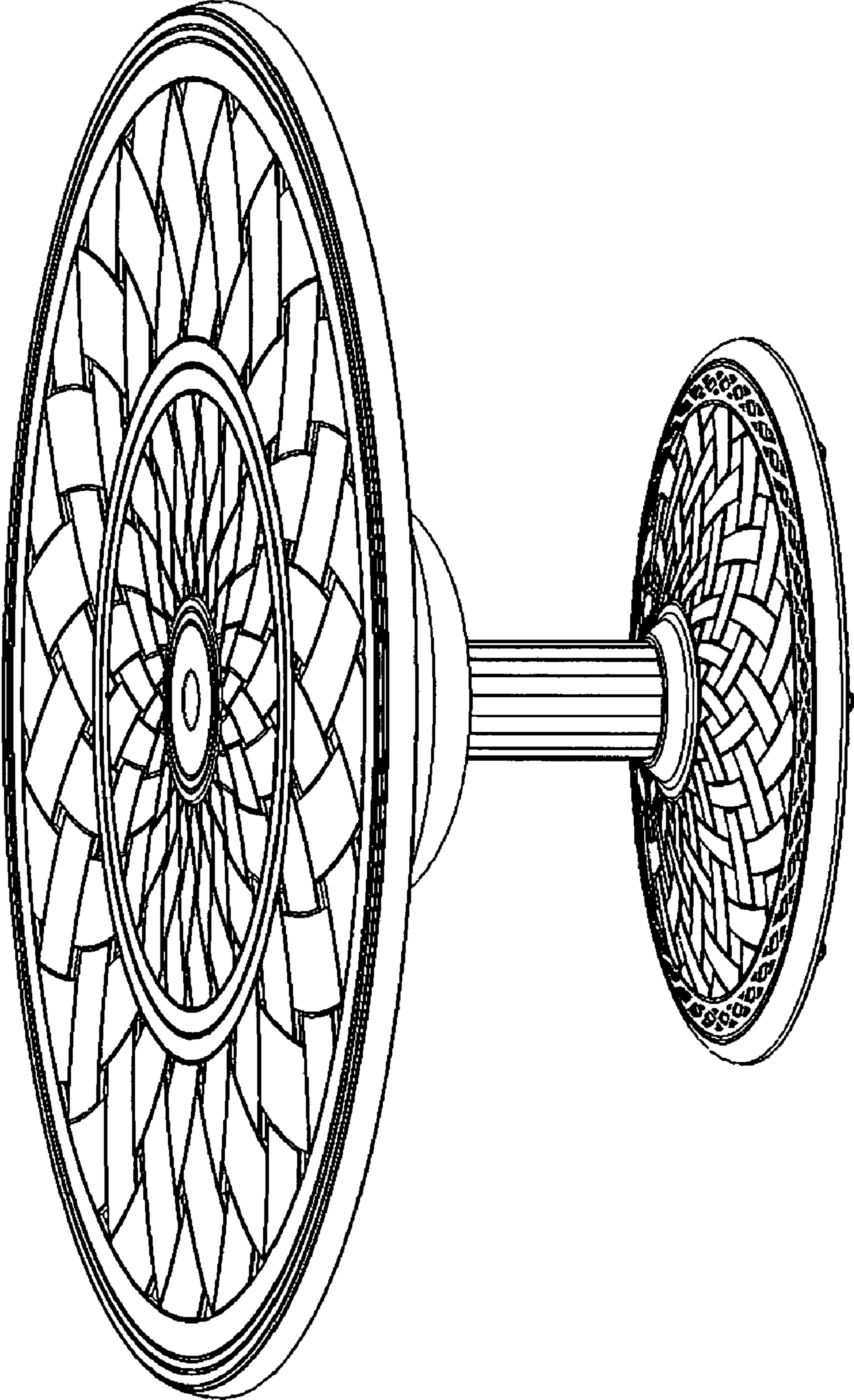


FIG. 2

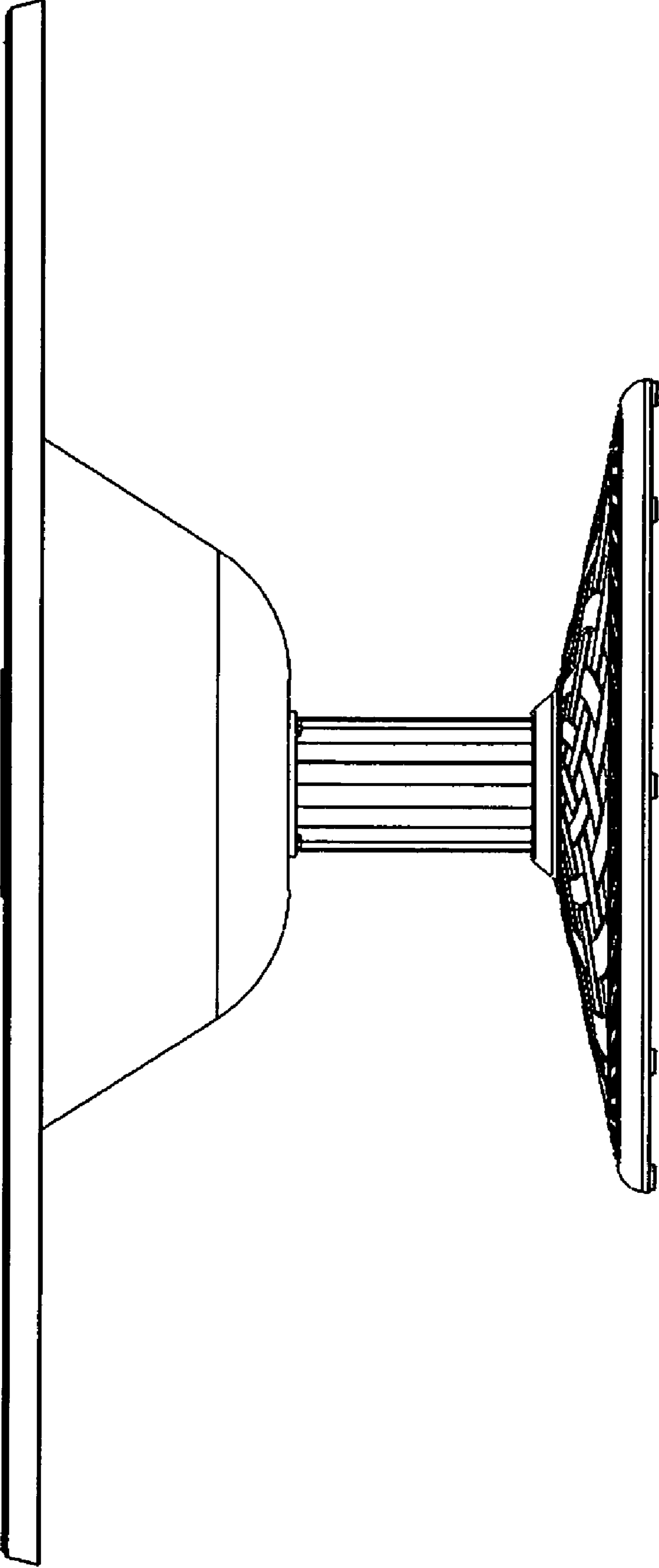


FIG. 3

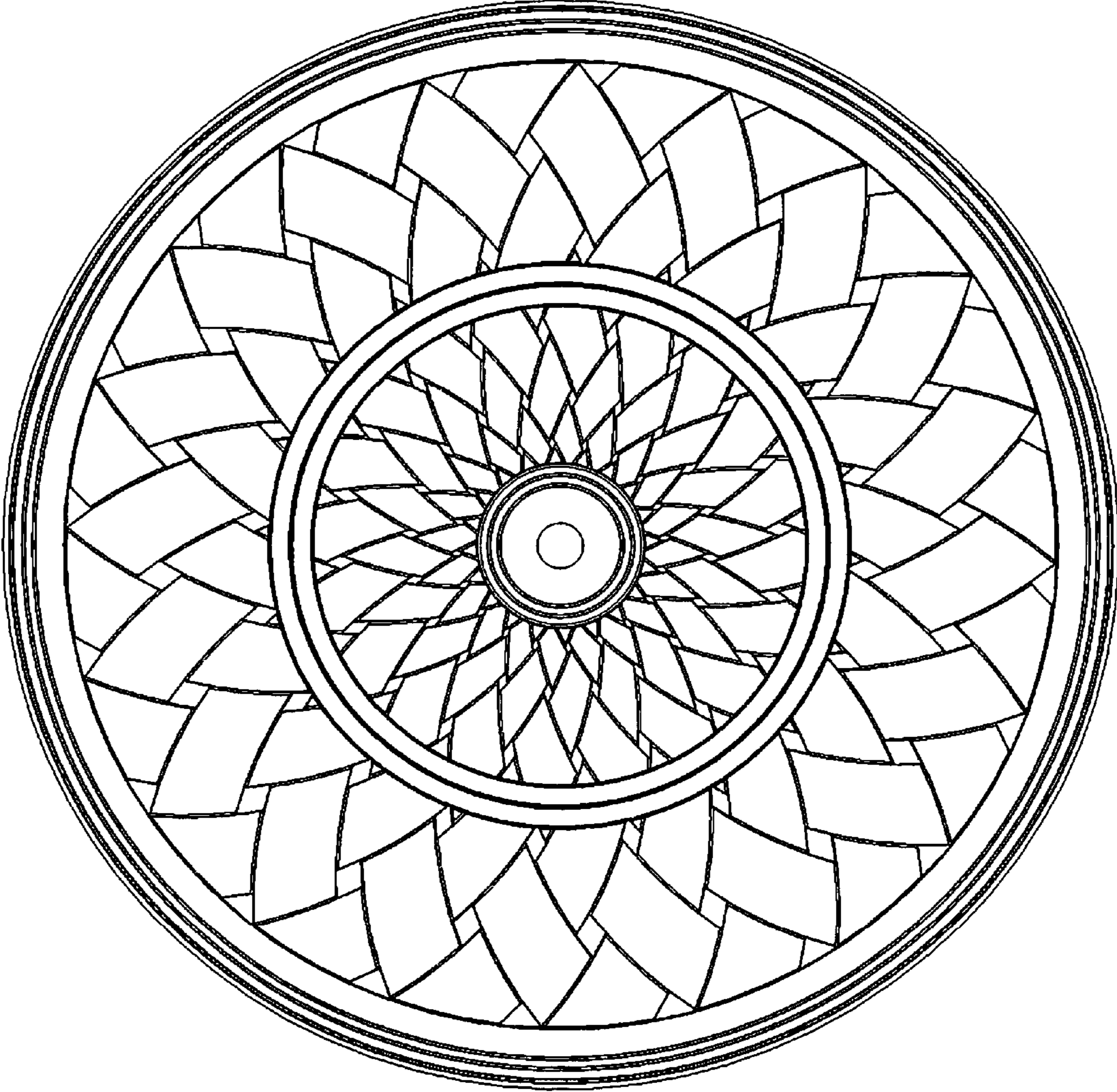


FIG. 4

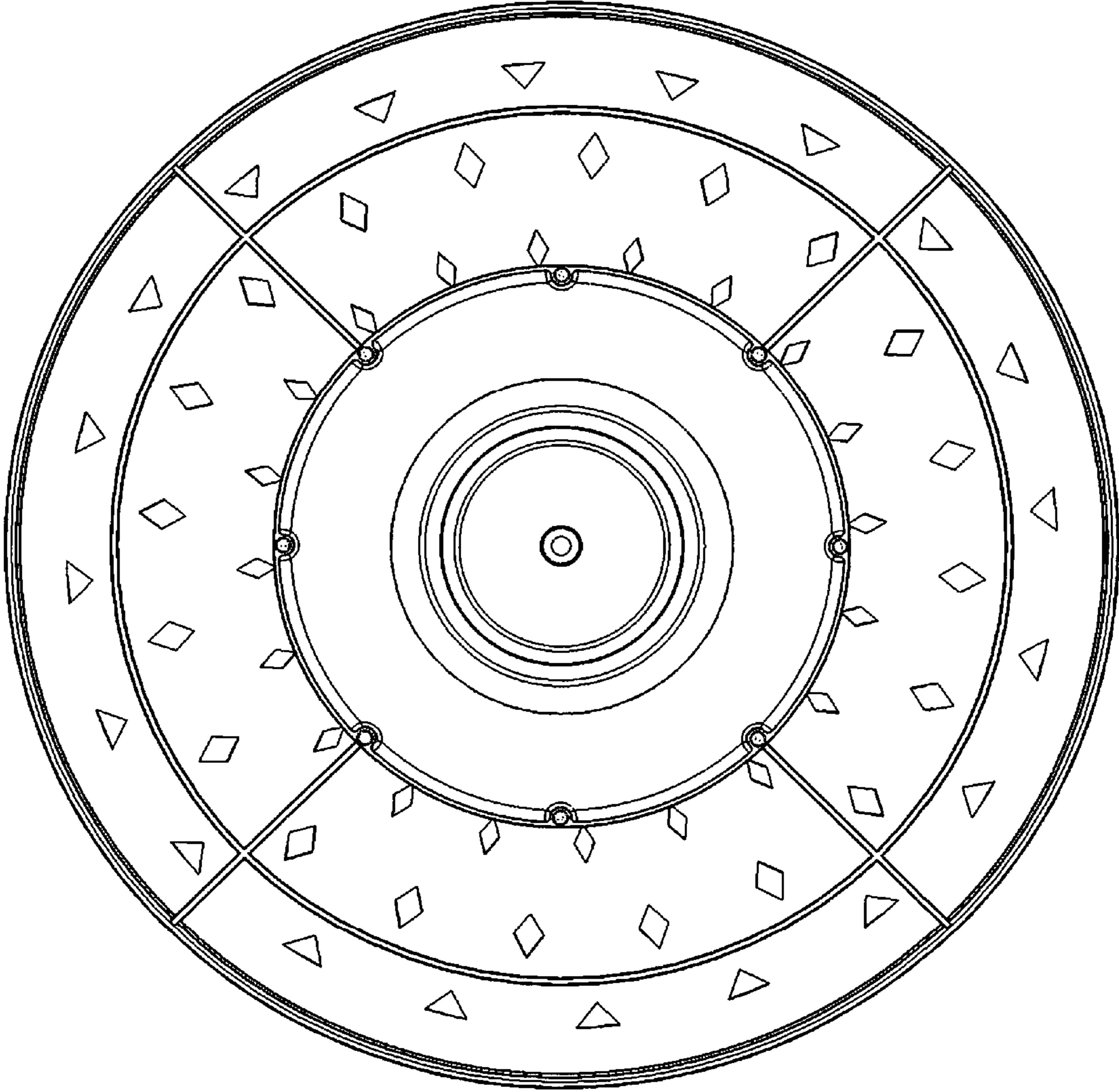


FIG. 5

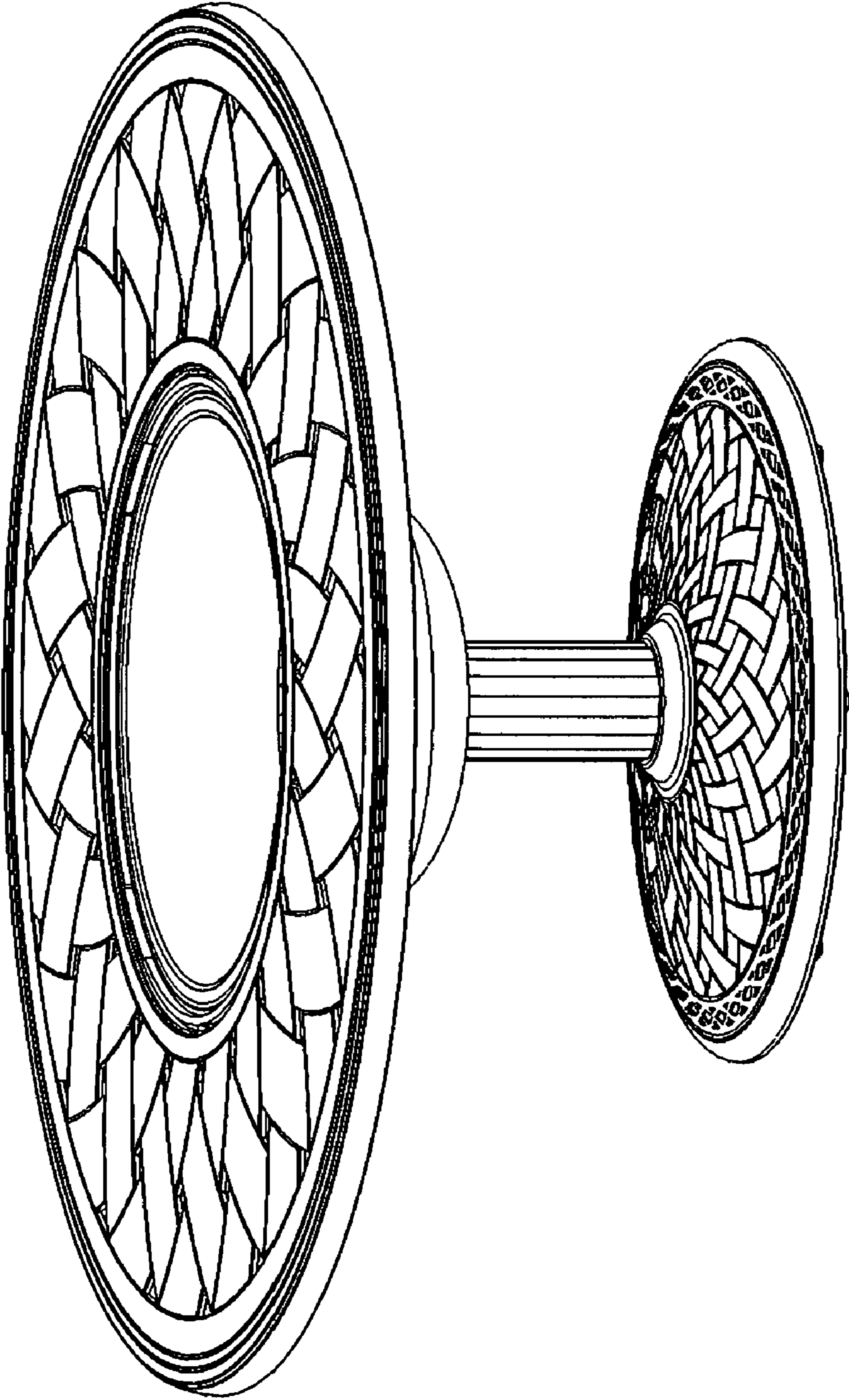


FIG. 6

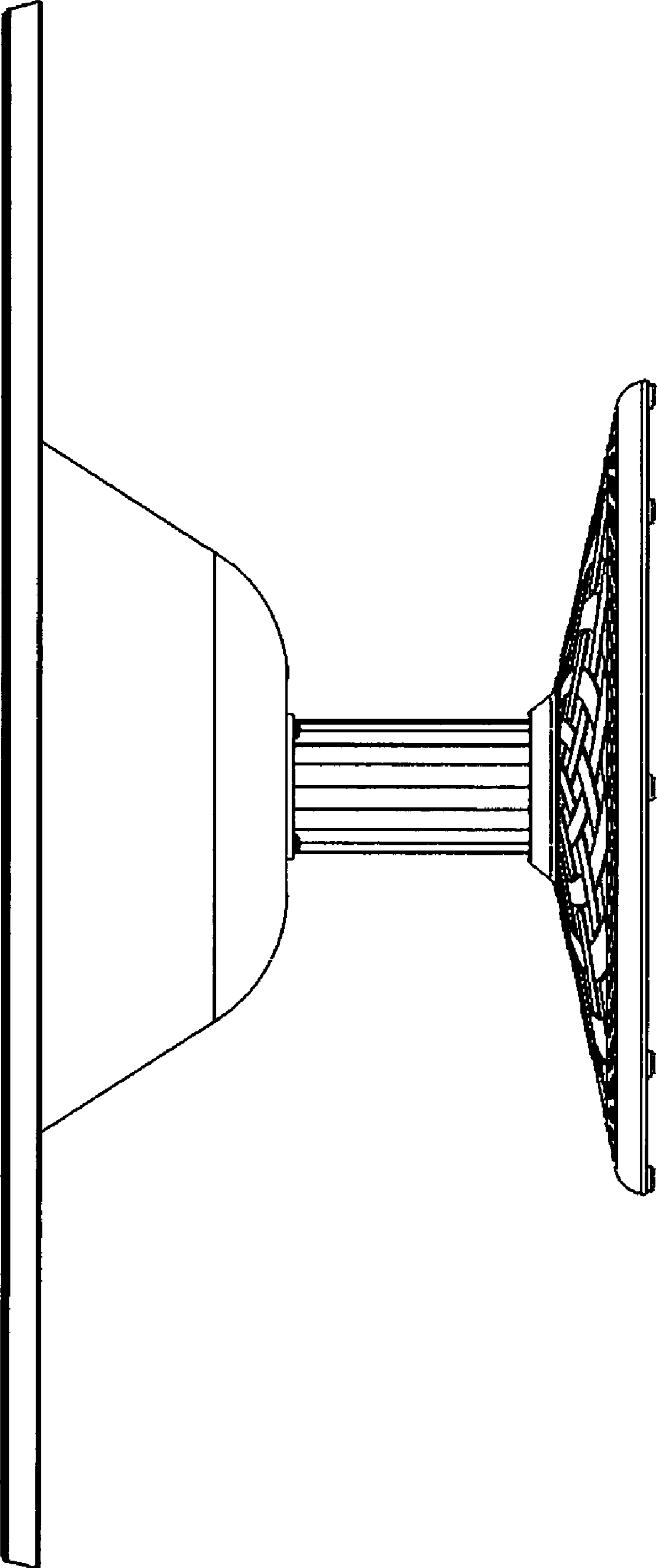


FIG. 7

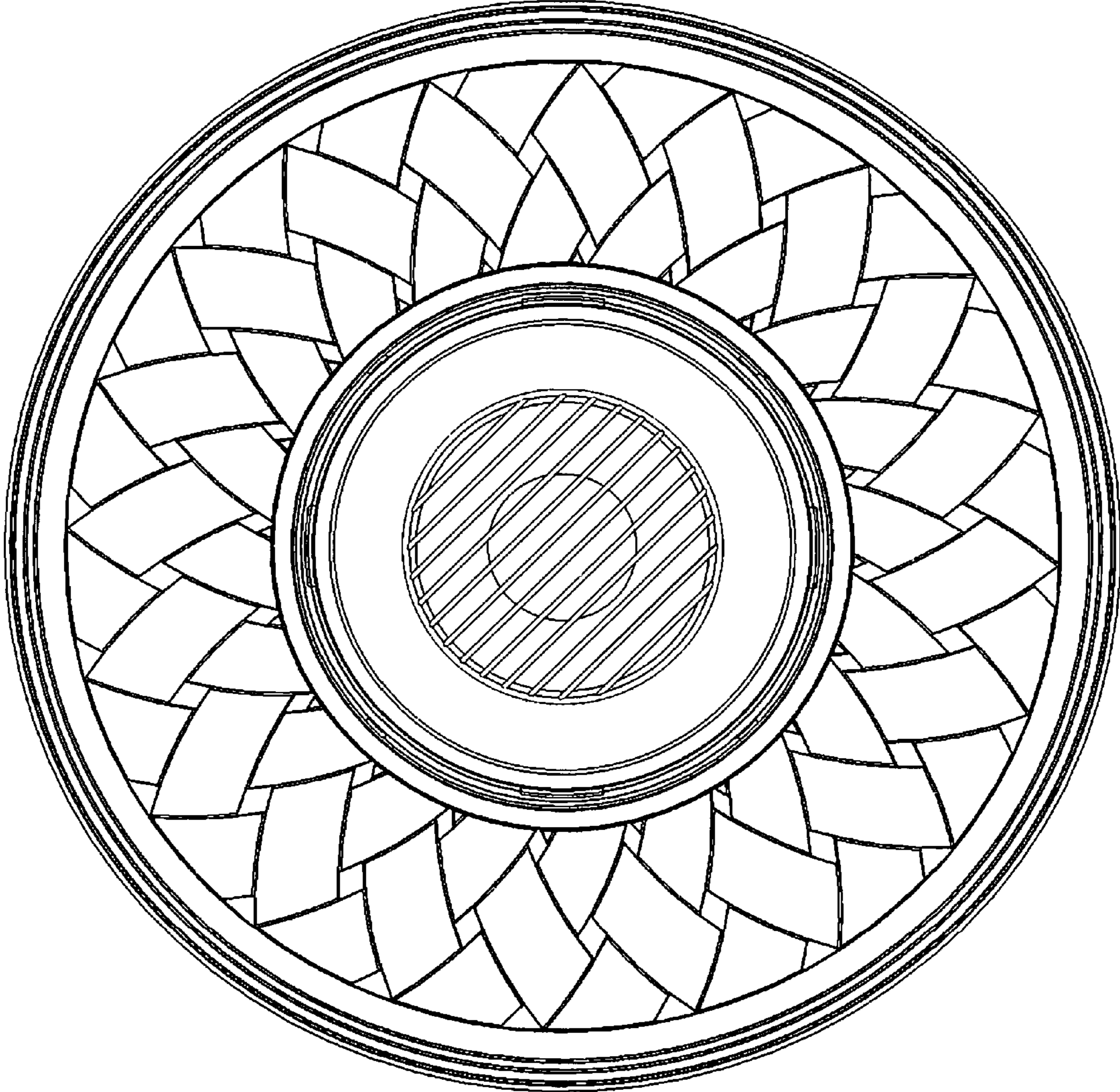


FIG. 8

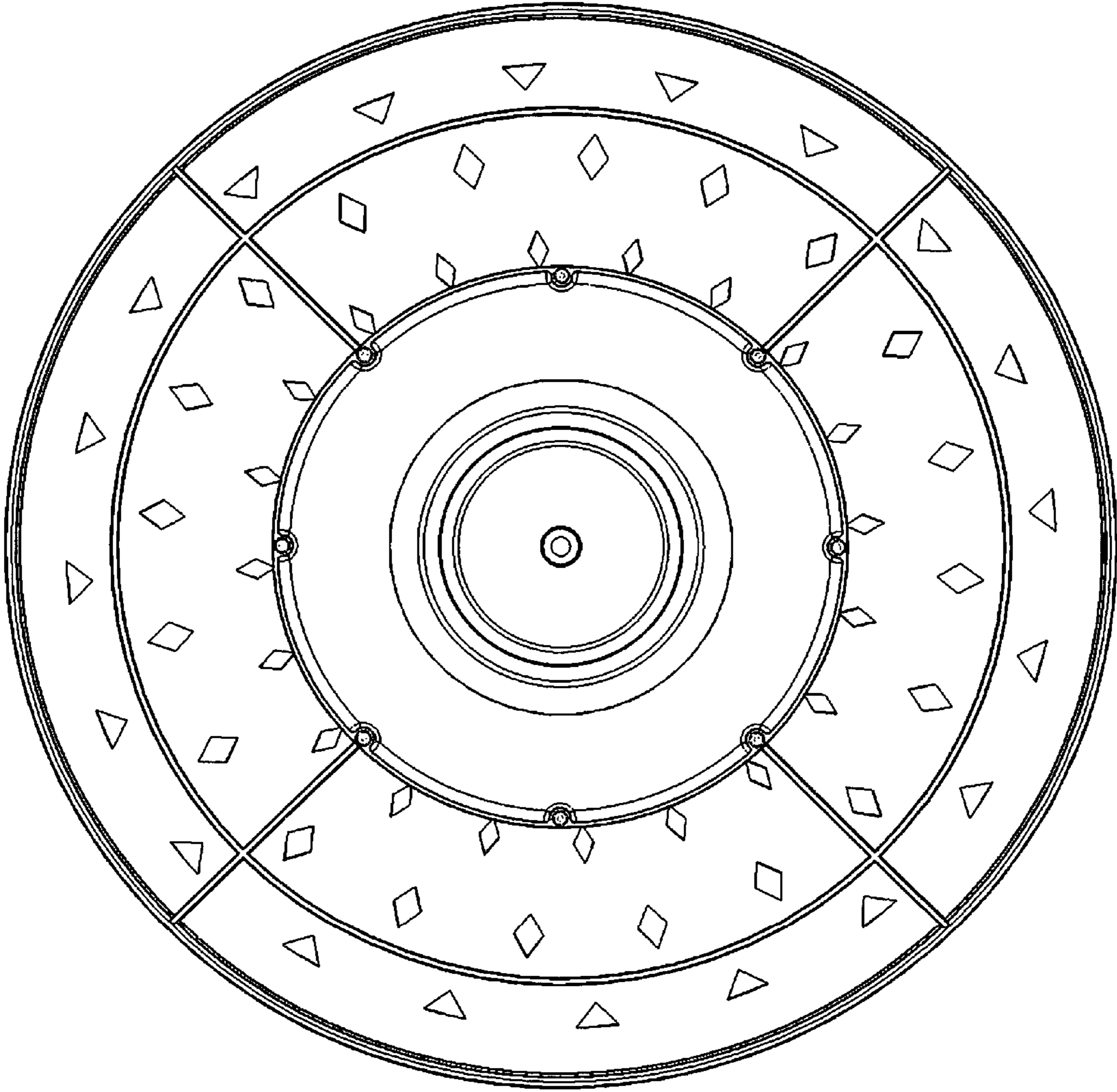


FIG. 9

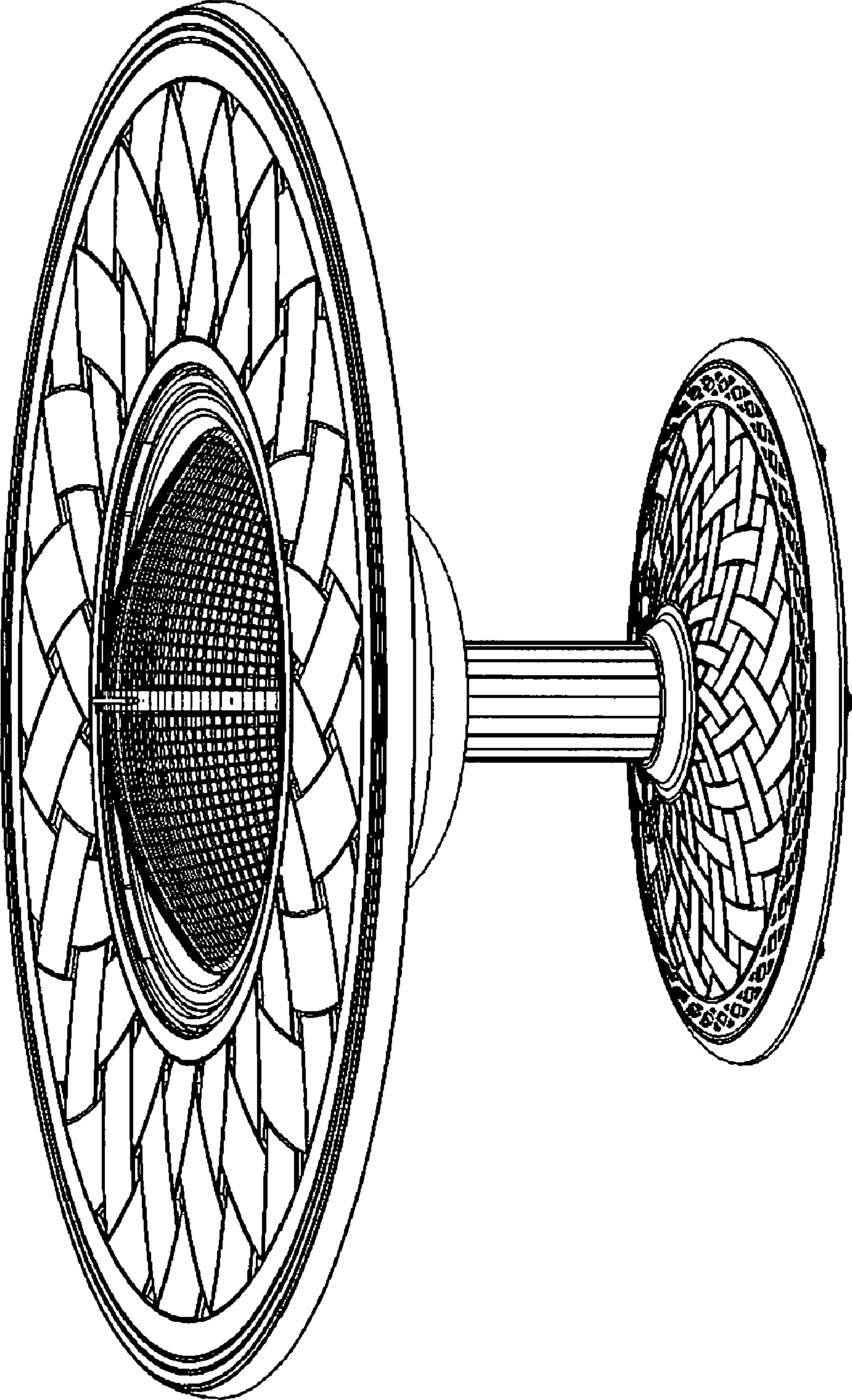


FIG. 10

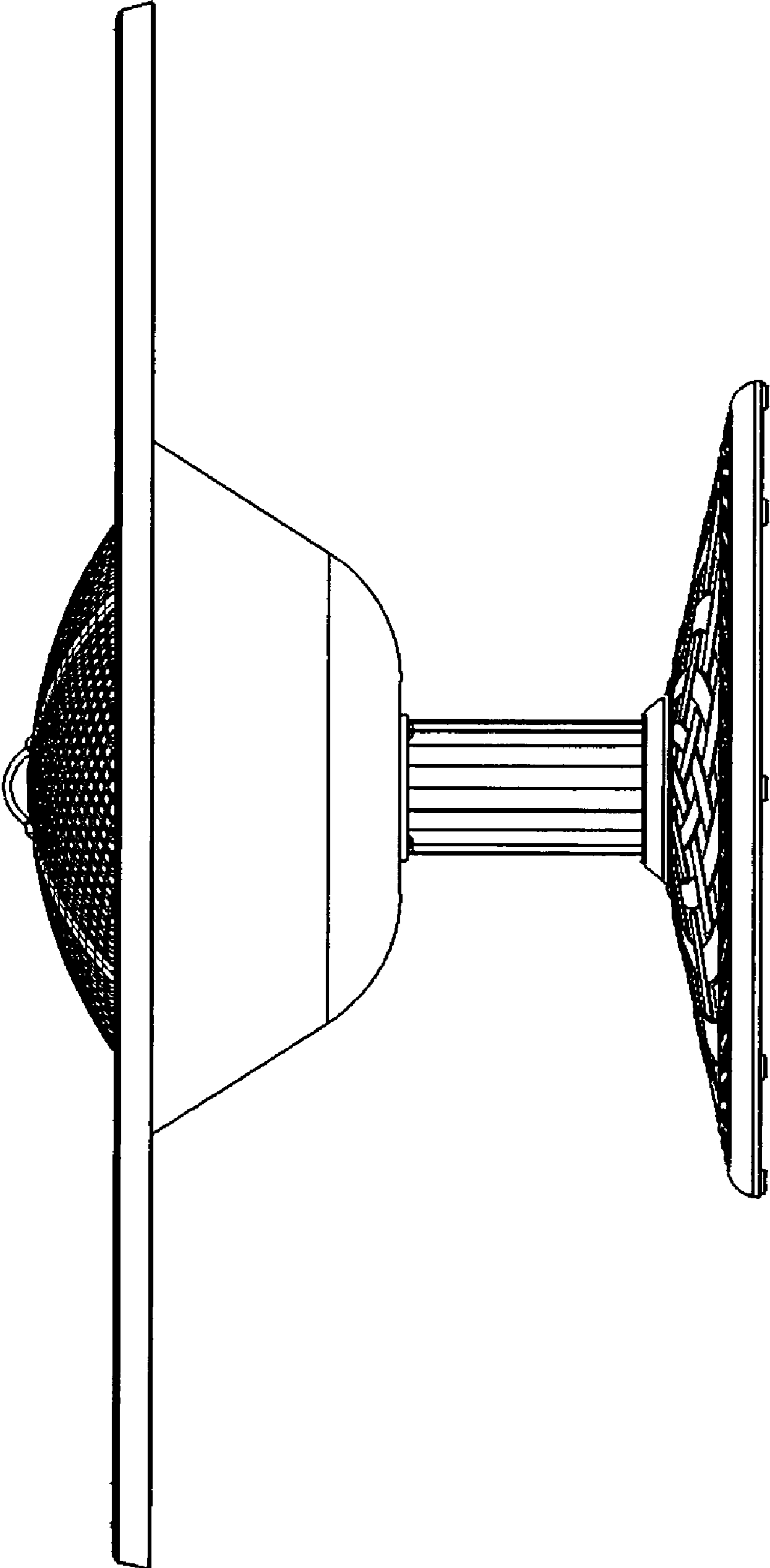


FIG. 11

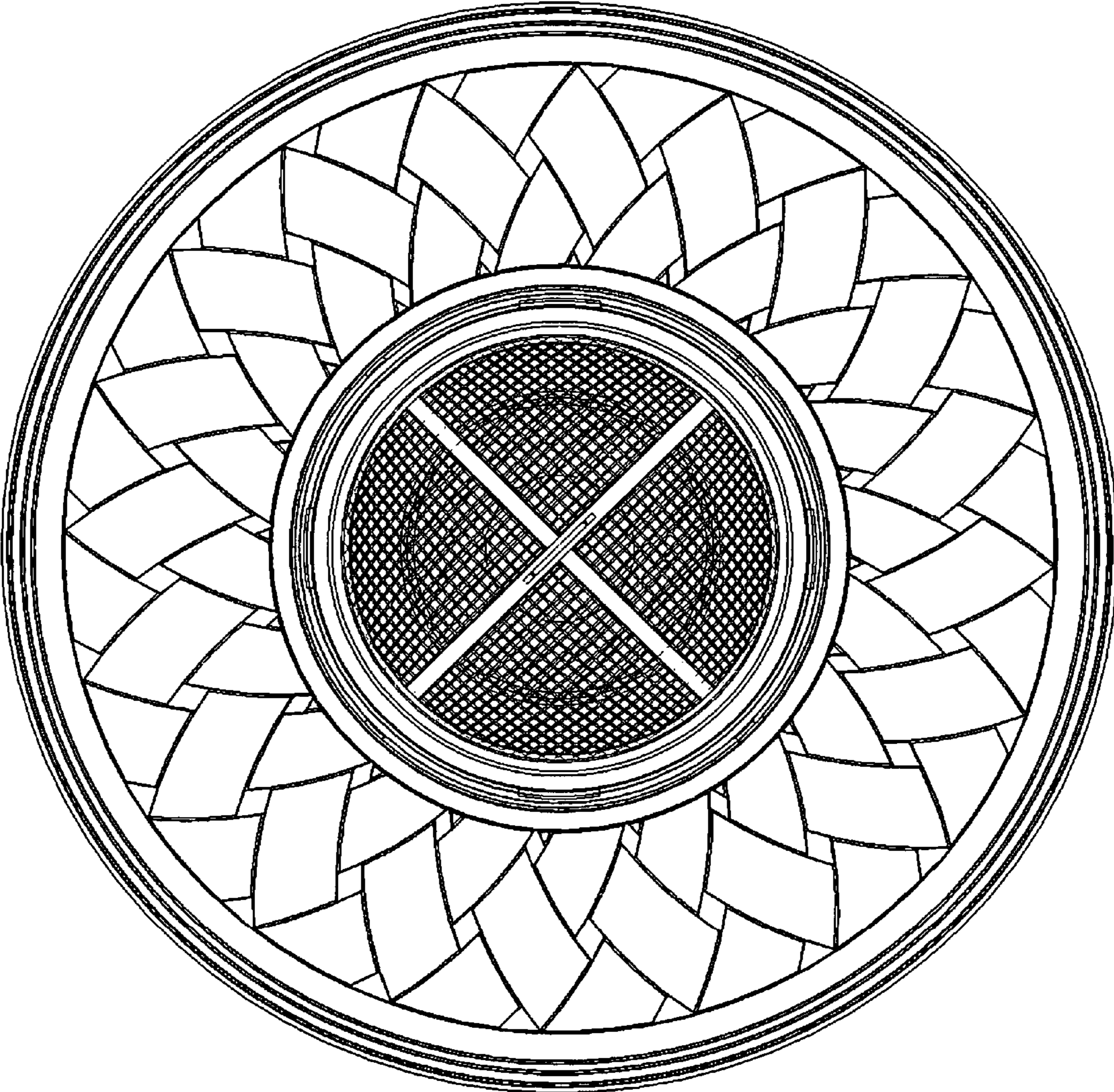


FIG. 12

