



US00D596890S

(12) **United States Design Patent**
Sulier

(10) **Patent No.:** **US D596,890 S**
(45) **Date of Patent:** **** Jul. 28, 2009**

(54) **CADDY FOR AN ARTICLE OF FURNITURE'S ARM**

2005/0072376 A1* 4/2005 Kerrigan 119/850
2005/0230443 A1* 10/2005 Bredeson 224/275

(76) Inventor: **Cornelius W. Sulier**, 197 Sunset Lodge Rd., Lancaster, KY (US) 40444

OTHER PUBLICATIONS

Arm Chair Caddies. <http://www.iandadesigns.com/catalog259893.html> through www.clicksitebuilder.com. Downloaded Sep. 3, 2008.*

(**) Term: **14 Years**

* cited by examiner

(21) Appl. No.: **29/285,229**

Primary Examiner—Philip S Hyder

(22) Filed: **Mar. 24, 2007**

Assistant Examiner—Roselynn Cody

(74) *Attorney, Agent, or Firm*—Kenneth F. Pearce

(51) **LOC (9) Cl.** **06-13**

(52) **U.S. Cl.** **D6/611; D6/610**

(57) **CLAIM**

(58) **Field of Classification Search** D3/231,
D3/315, 318; D6/610–611; D12/616; 5/503.1;
150/100, 107, 154, 158; 211/26.1; 206/387.15;
224/275, 563; 297/188.06, 188.2, 227

The ornamental design for a caddy for an article of furniture's arm, as shown and described.

See application file for complete search history.

DESCRIPTION

(56) **References Cited**

FIG. 1 is a front view of the caddy for an article of furniture's arm.

U.S. PATENT DOCUMENTS

FIG. 2 is a side view of the caddy for an article of furniture's arm.

2,061,302	A *	11/1936	Egler	297/188.18
3,717,188	A *	2/1973	Green	224/42.11
D350,866	S *	9/1994	Miller et al.	D6/501
5,692,608	A *	12/1997	Simien	206/320
D392,613	S *	3/1998	Peters	D12/416
5,872,702	A *	2/1999	Kopel	361/810
D421,543	S *	3/2000	Rogman et al.	D6/611
D477,563	S *	7/2003	Hassett	D12/416
6,609,626	B2 *	8/2003	Young et al.	220/592.03
D492,114	S *	6/2004	Sulier	D3/315
D492,140	S *	6/2004	Hassett	D6/491
D540,099	S *	4/2007	Tucker	D6/611
7,284,791	B1 *	10/2007	Wright	297/188.18

FIG. 3 is a rear view of the caddy for an article of furniture's arm.

FIG. 4 is a top view of the caddy for an article of furniture's arm.

FIG. 5 is an isometric view a first side of the caddy for an article of furniture's arm; and,

FIG. 6 is an isometric view of a second side of the caddy for an article of furniture's arm.

1 Claim, 1 Drawing Sheet

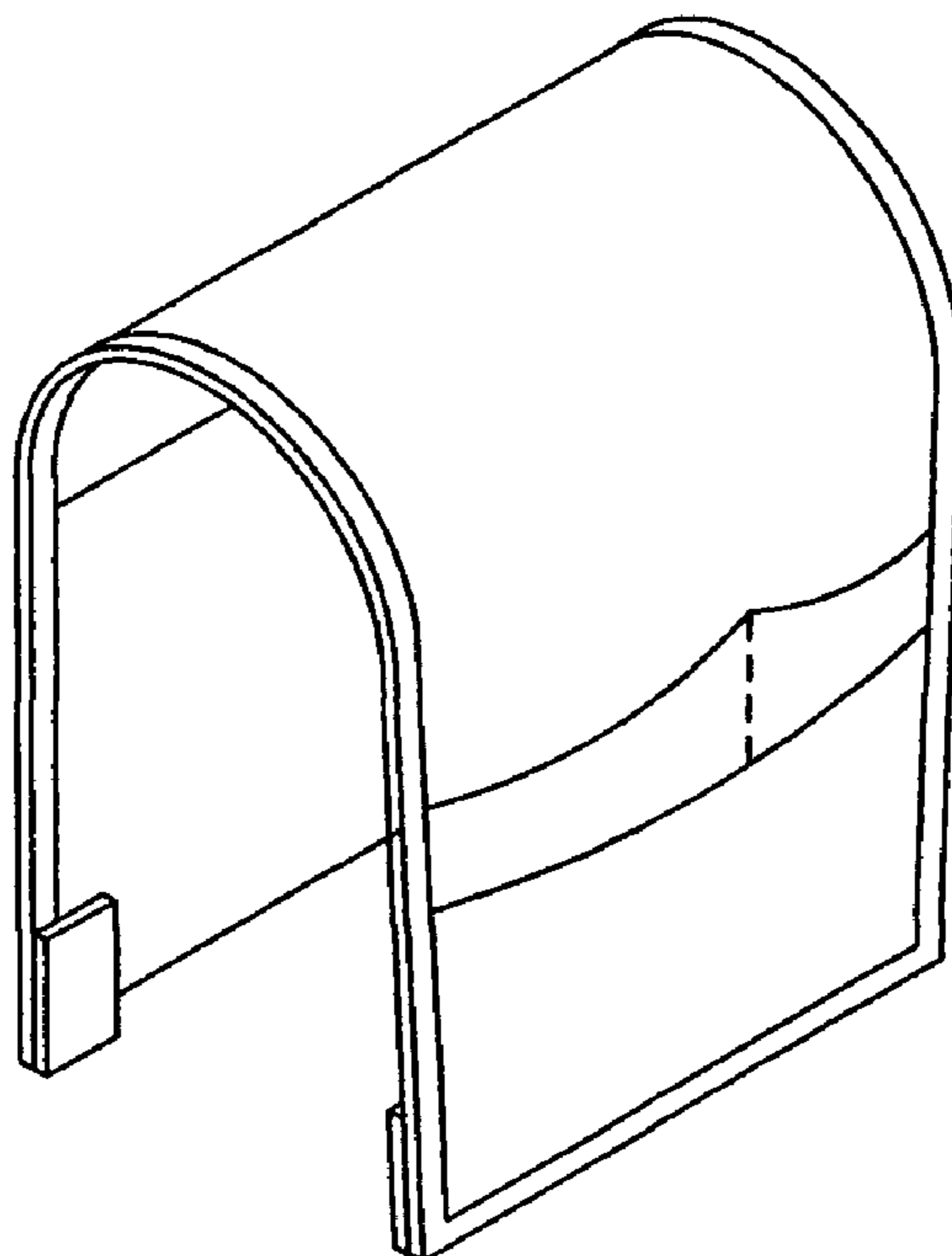




FIGURE 4

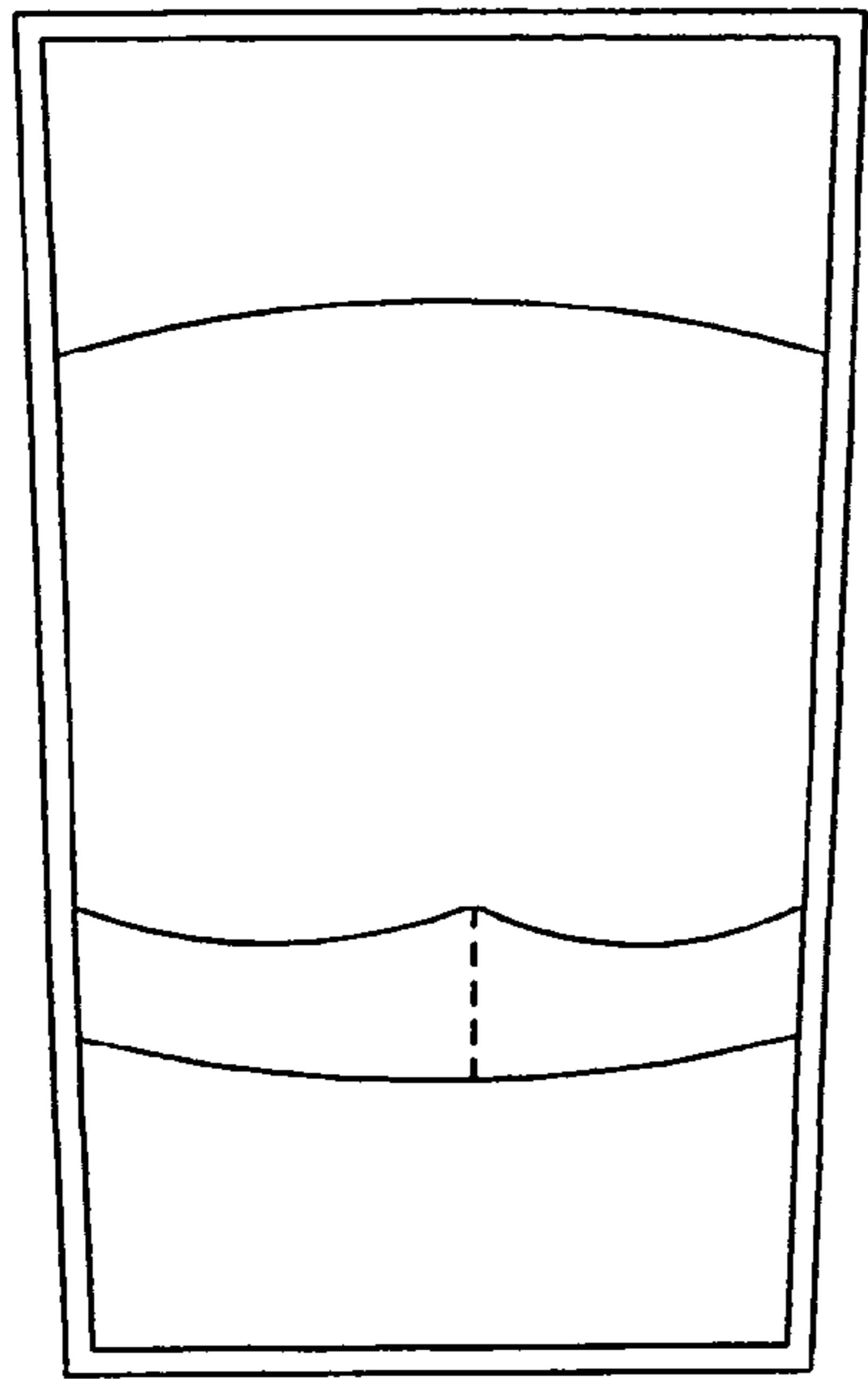


FIGURE 1



FIG 2

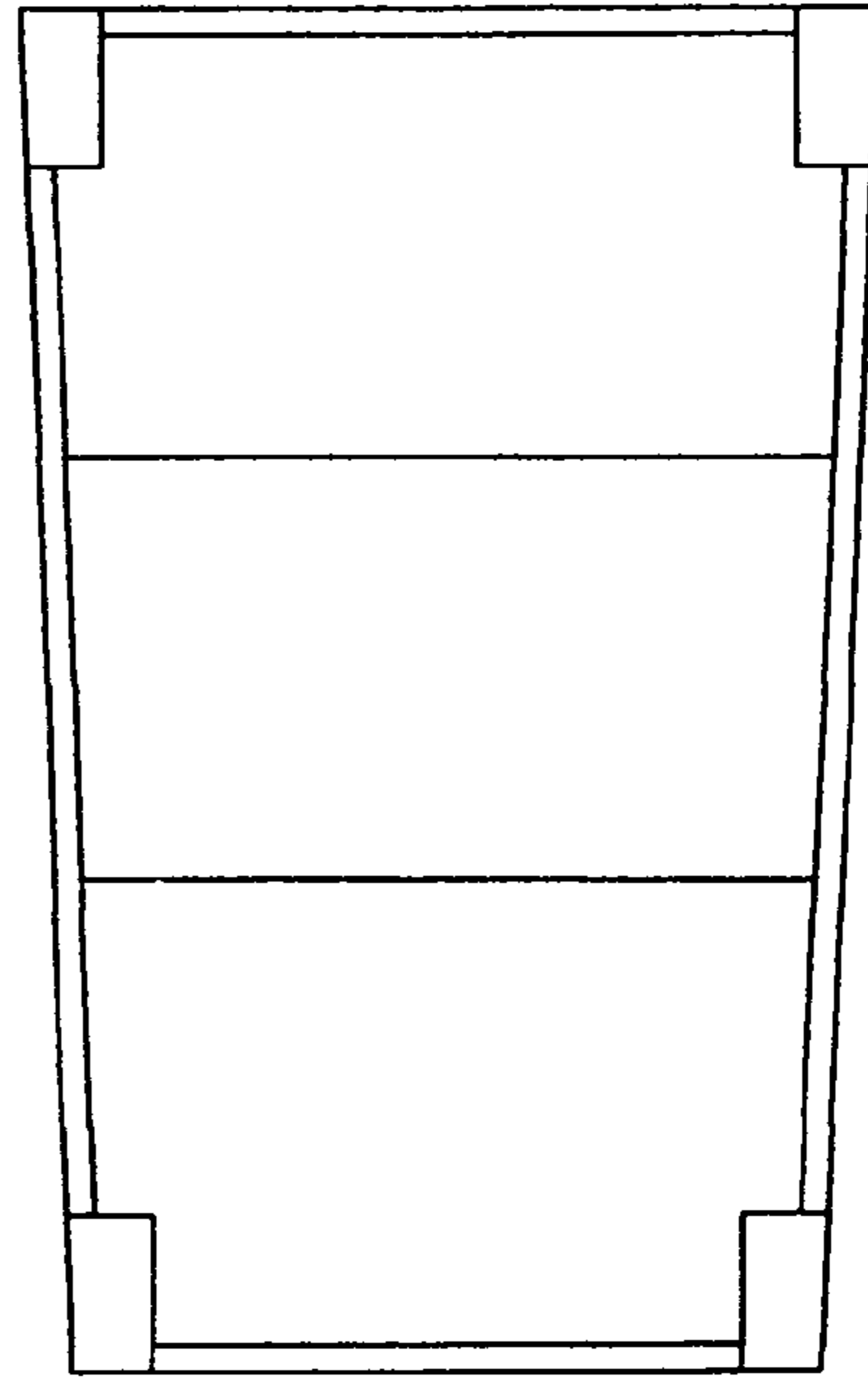


FIGURE 3

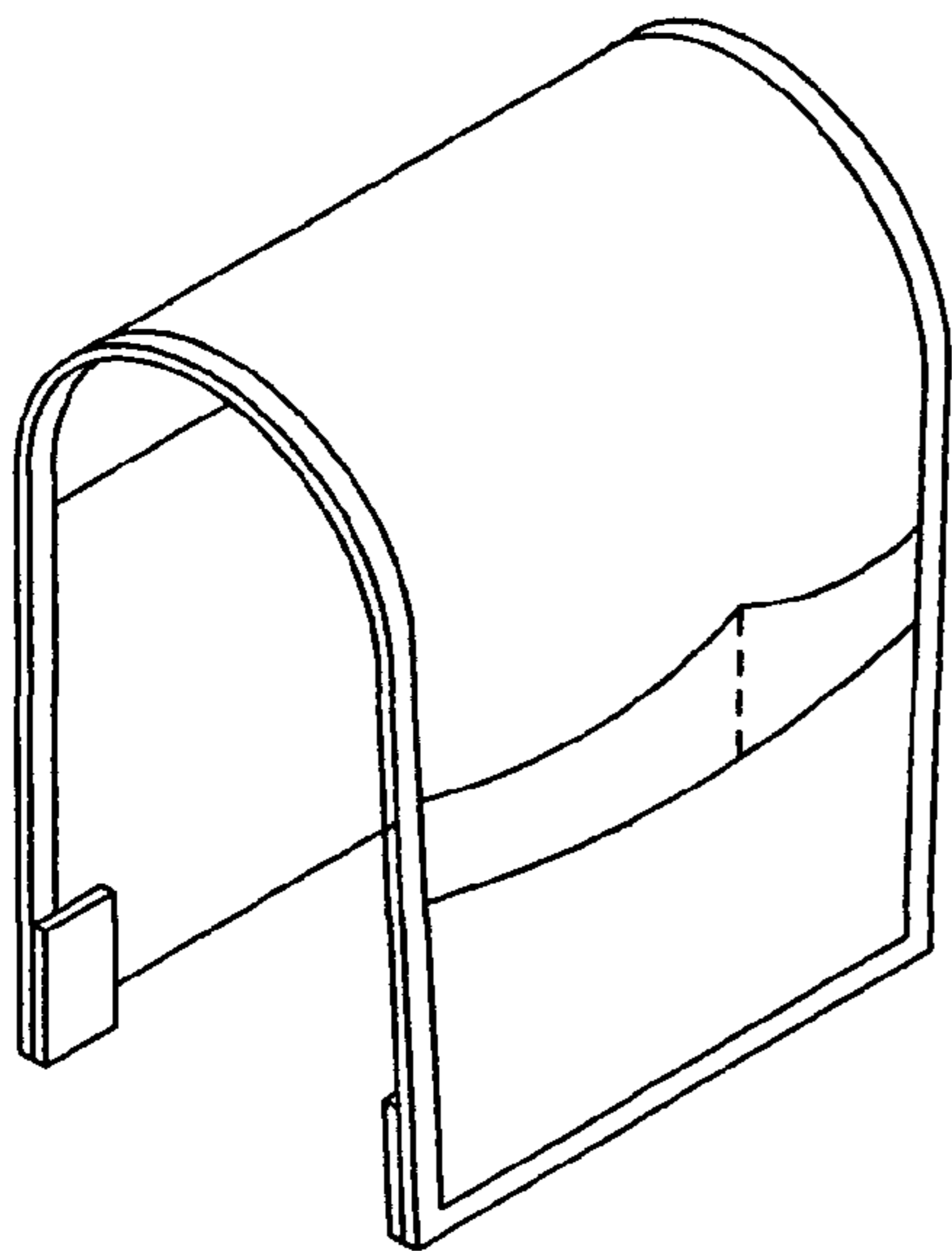


FIGURE 5

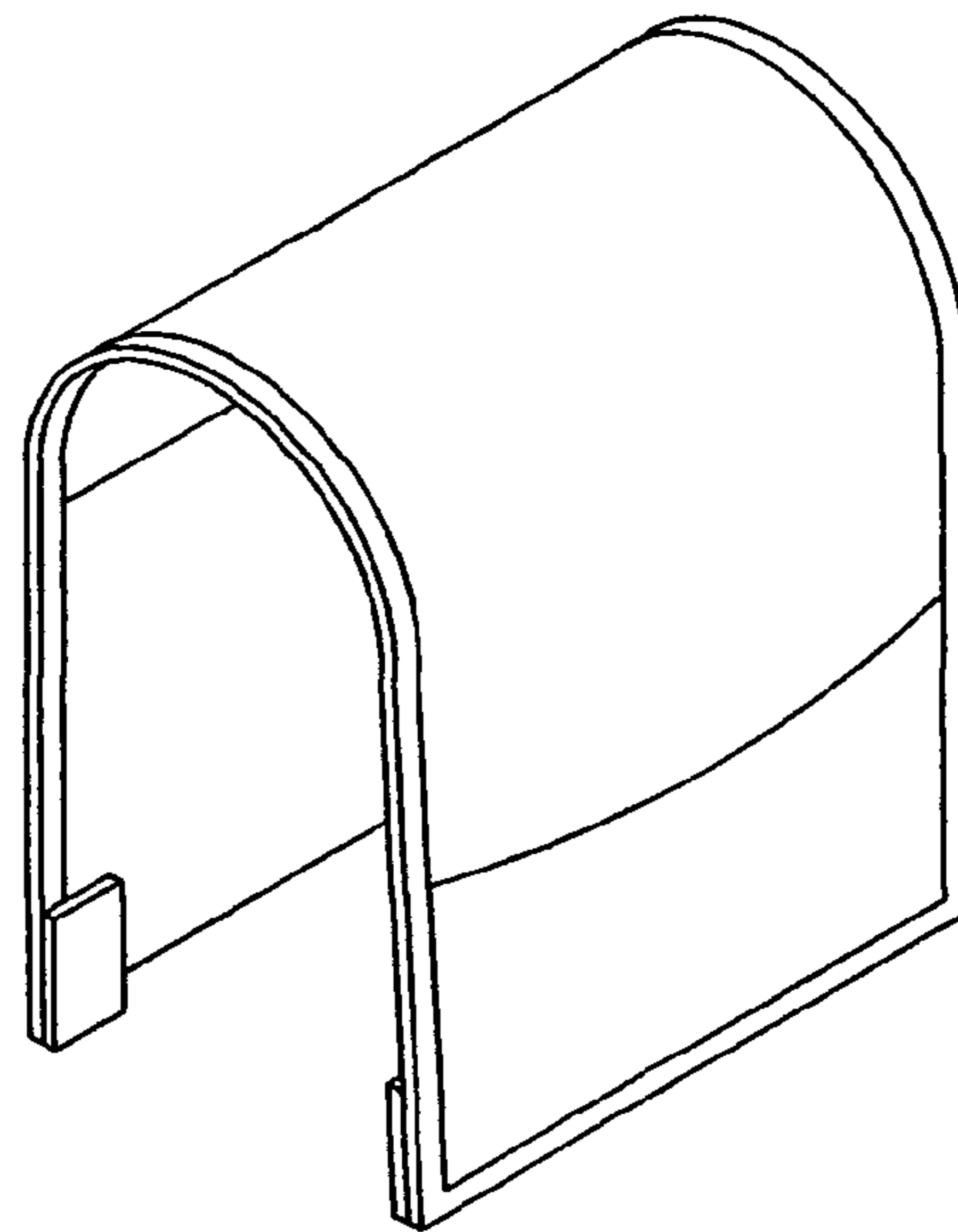


FIGURE 6