



US00D596888S

(12) **United States Design Patent**
Domanski

(10) **Patent No.:** **US D596,888 S**
(45) **Date of Patent:** **** Jul. 28, 2009**

(54) **ACCESSORY POST**

(75) Inventor: **David George Domanski**, Lakewood,
OH (US)

(73) Assignee: **Moen Incorporated**, North Olmsted,
OH (US)

(**) Term: **14 Years**

(21) Appl. No.: **29/320,801**

(22) Filed: **Jul. 3, 2008**

(51) **LOC (9) Cl.** **06-04**

(52) **U.S. Cl.** **D6/550**

(58) **Field of Classification Search** D6/518-524,
D6/546-550; D8/300, 370, 315; 108/28-29;
211/13.1, 16, 85.5, 86.01, 87.01, 88.04, 100,
211/105.1, 105.2, 106, 113, 123, 181.1, 182-183;
248/49, 175, 176.1, 200, 201, 205.1, 251,
248/302, 309.1, 315; 242/570, 590, 595-598
See application file for complete search history.

(56) **References Cited**

U.S. PATENT DOCUMENTS

D417,995 S	12/1999	Chen	
D424,354 S	5/2000	Duggan	
D436,775 S	1/2001	Ming-Hsiao	
D449,948 S	11/2001	Lai	
D452,402 S *	12/2001	Chen	D6/550
D460,892 S	7/2002	Hoernig	
D463,936 S	10/2002	Chen	
D464,404 S	10/2002	Lord	
D470,701 S	2/2003	Kuo	
D477,482 S	7/2003	Green	
D477,486 S	7/2003	Green	
D477,740 S	7/2003	Gilbert	
D481,235 S *	10/2003	Gilbert	D6/524
D483,585 S *	12/2003	Chen	D6/524
D489,120 S	4/2004	Shieh	
D493,054 S	7/2004	Roberts, III et al.	
D493,315 S	7/2004	Gilbert	
D497,751 S	11/2004	Roberts, III et al.	
D498,098 S	11/2004	Chen	

D501,746 S	2/2005	Gilbert	
D520,791 S	5/2006	Solowiej	
D520,793 S	5/2006	Gilbert	
D530,398 S	10/2006	Graves et al.	
D534,023 S *	12/2006	Berberet et al.	D6/523
D540,586 S	4/2007	Solowiej	
D551,001 S *	9/2007	Pipe	D6/524
D554,406 S	11/2007	Sedwick	
D562,606 S *	2/2008	Chen	D6/524
D569,147 S *	5/2008	Gilbert	D6/524
2002/0104946 A1	8/2002	Lai	

* cited by examiner

Primary Examiner—Brian N Vinson

(74) *Attorney, Agent, or Firm*—Calfee, Halter & Griswold
LLP

(57) **CLAIM**

The ornamental design for an accessory post, as shown and described.

DESCRIPTION

FIG. 1 is a perspective view of an accessory post of the new design;

FIG. 2 is a front elevational view of the accessory post of FIG. 1;

FIG. 3 is a rear elevational view of the accessory post of FIG. 1;

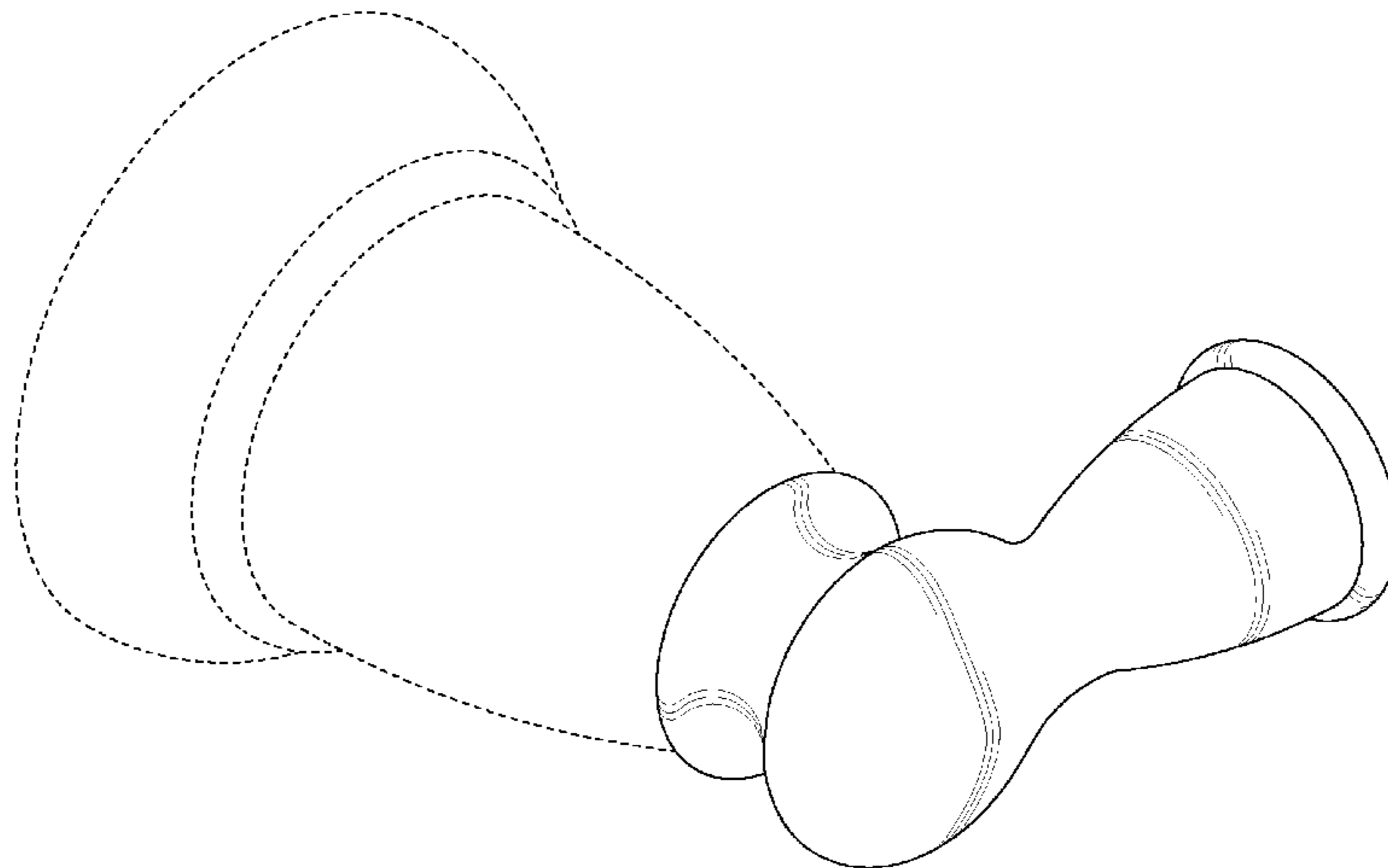
FIG. 4 is a left side elevational view of the accessory post of FIG. 1;

FIG. 5 is a right side elevational view of the accessory post of FIG. 1; and,

FIG. 6 is a top plan view of the accessory post of FIG. 1, the bottom plan view being a mirror image.

The broken line disclosure of portions of the article in which the claimed design is embodied form no part of the claimed design, and the broken line between claimed and unclaimed portions of the article is understood to represent an unclaimed boundary.

1 Claim, 3 Drawing Sheets



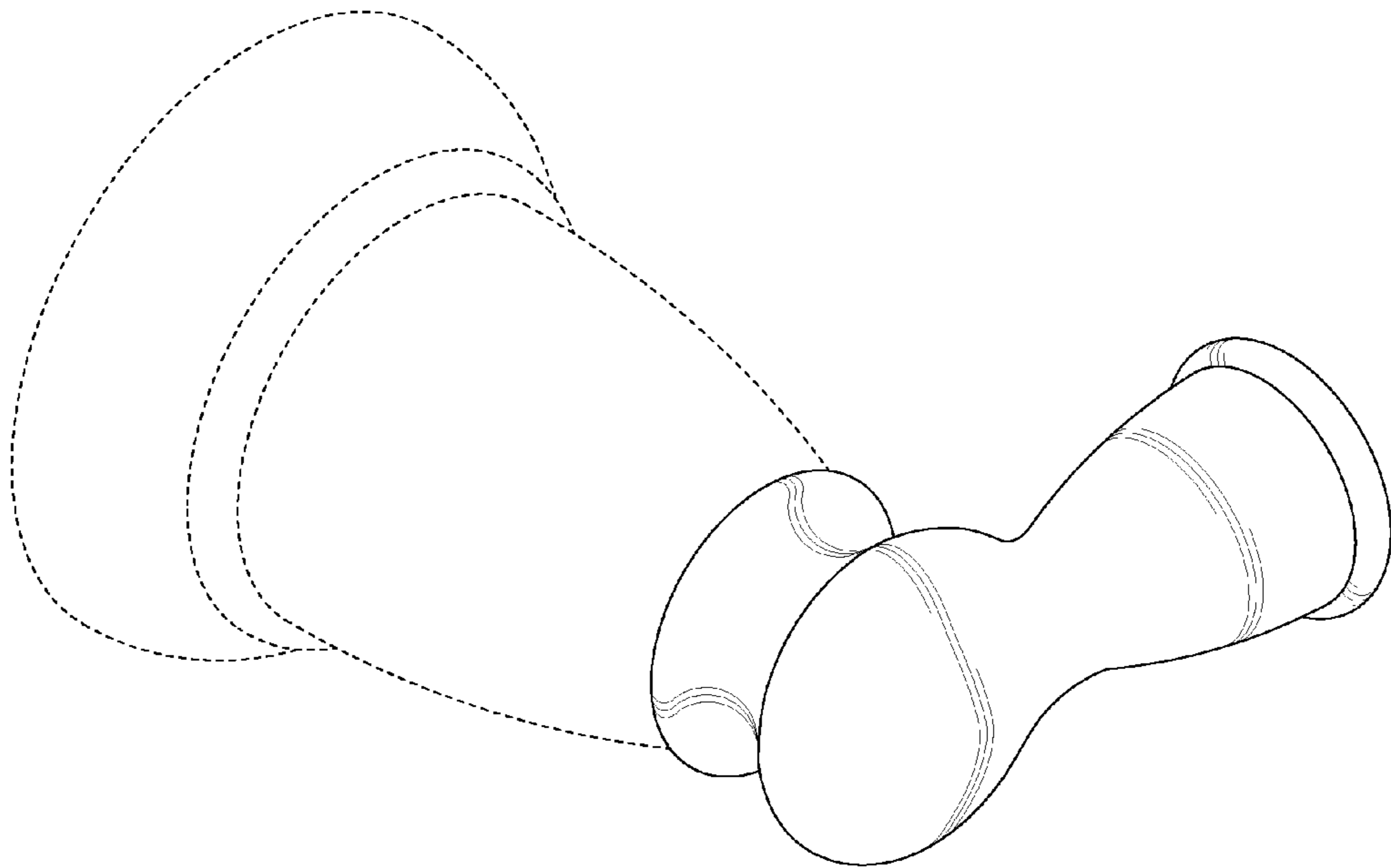


FIG. 1

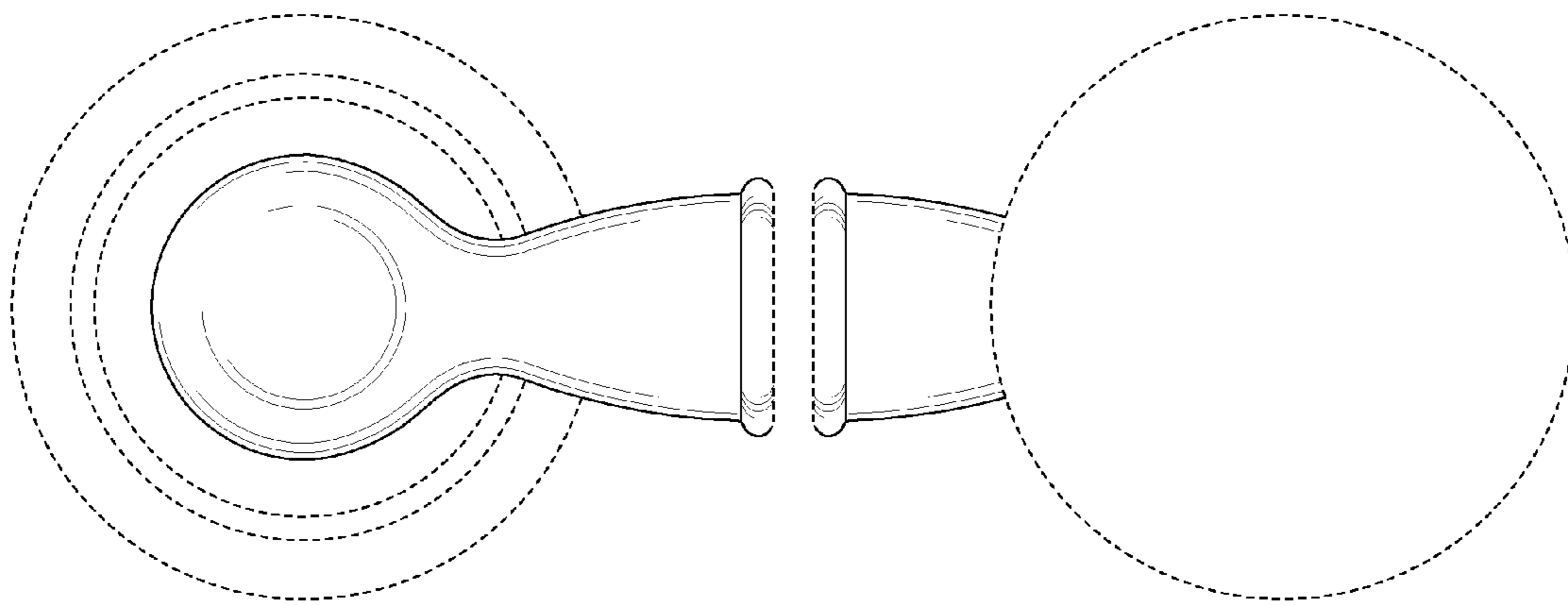


FIG. 2

FIG. 3

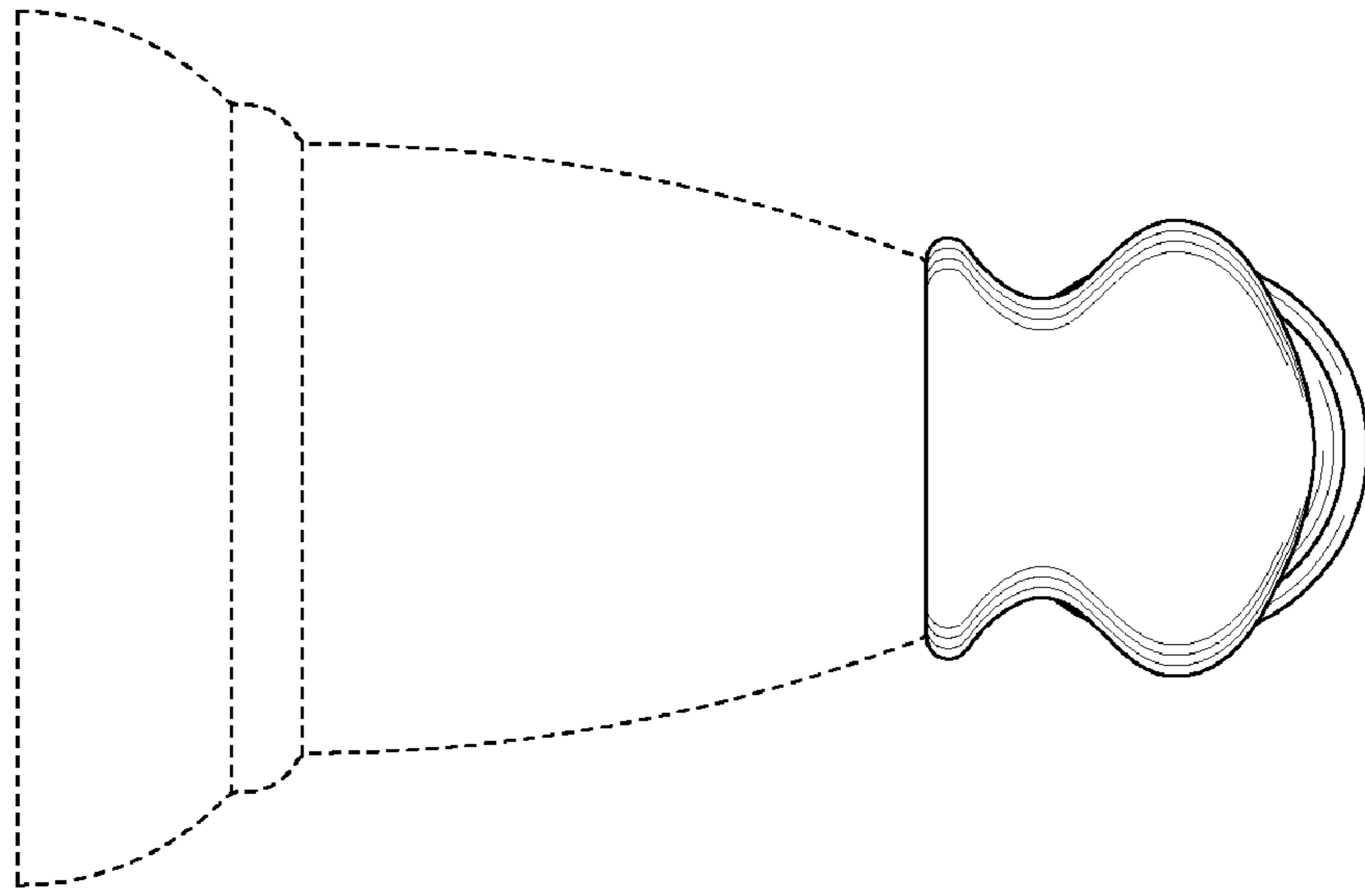


FIG. 4

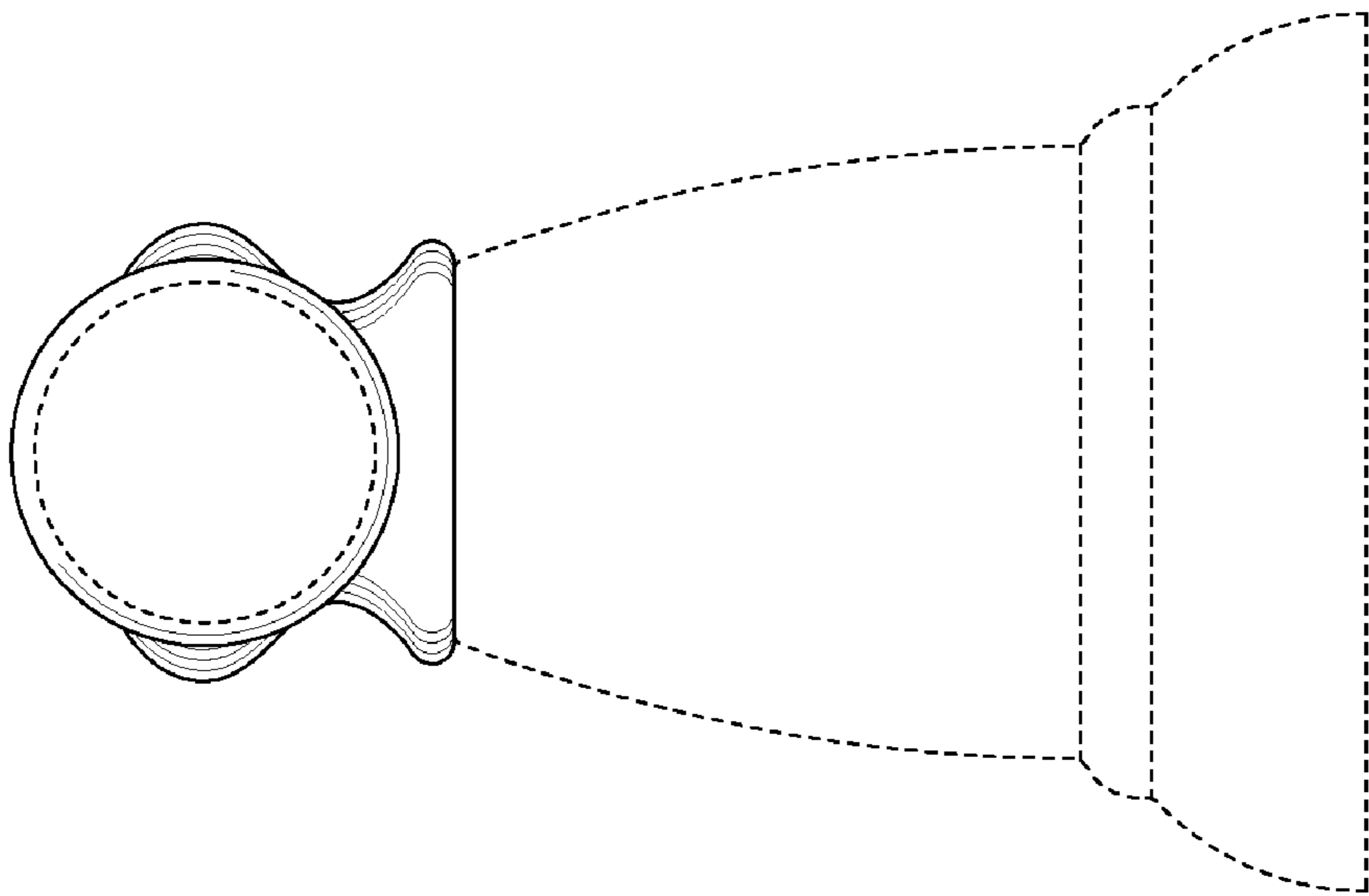


FIG. 5

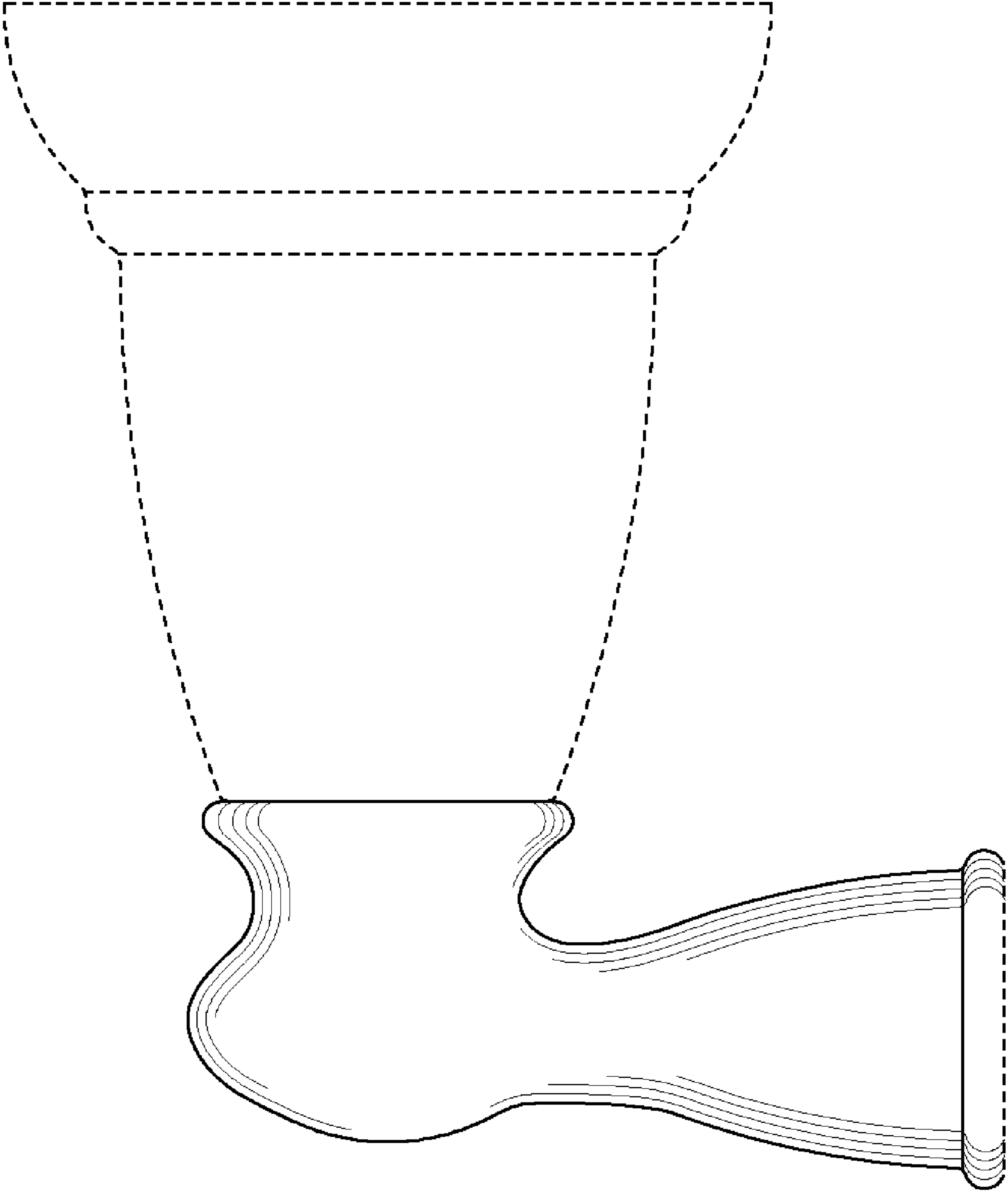


FIG. 6