



US00D596887S

(12) **United States Design Patent**
Sedwick

(10) **Patent No.:** **US D596,887 S**
(45) **Date of Patent:** **** Jul. 28, 2009**

(54) **ACCESSORY POST**

(75) Inventor: **Jennifer P. Sedwick**, Lakewood, OH
(US)

(73) Assignee: **Moen Incorporated**, North Olmsted,
OH (US)

(**) Term: **14 Years**

(21) Appl. No.: **29/320,797**

(22) Filed: **Jul. 3, 2008**

(51) **LOC (9) Cl.** **06-04**

(52) **U.S. Cl.** **D6/550**

(58) **Field of Classification Search** D6/518-524,
D6/546-550; D8/300, 370, 315; 108/28-29;
211/13.1, 16, 85.5, 86.01, 87.01, 88.04, 100,
211/105.1, 105.2, 106, 113, 123, 181.1, 182-183;
248/49, 175, 176.1, 200, 201, 205.1, 251,
248/302, 309.1, 315; 242/570, 590, 595-598
See application file for complete search history.

(56) **References Cited**

U.S. PATENT DOCUMENTS

D163,444 S	5/1951	Crook	
D327,196 S	6/1992	Crook et al.	
D385,177 S	* 10/1997	Perry D6/549
D416,419 S	11/1999	Chen	
D439,088 S	3/2001	Chen	
D454,459 S	* 3/2002	Meck et al. D6/549
D465,116 S	11/2002	Chen	
D466,736 S	12/2002	Ouyoung	
D492,151 S	* 6/2004	Chen D6/524
D516,356 S	* 3/2006	Sedwick D6/550

D519,766 S 5/2006 Gilbert
D532,638 S * 11/2006 Berberet et al. D6/550
D552,216 S 10/2007 Haug et al.

* cited by examiner

Primary Examiner—Brian N Vinson

(74) *Attorney, Agent, or Firm*—Calfee, Halter & Griswold
LLP

(57) **CLAIM**

The ornamental design for an accessory post, as shown and described.

DESCRIPTION

FIG. 1 is a perspective view of an accessory post of the new design;

FIG. 2 is a front elevational view of the accessory post of FIG. 1;

FIG. 3 is a rear elevational view of the accessory post of FIG. 1;

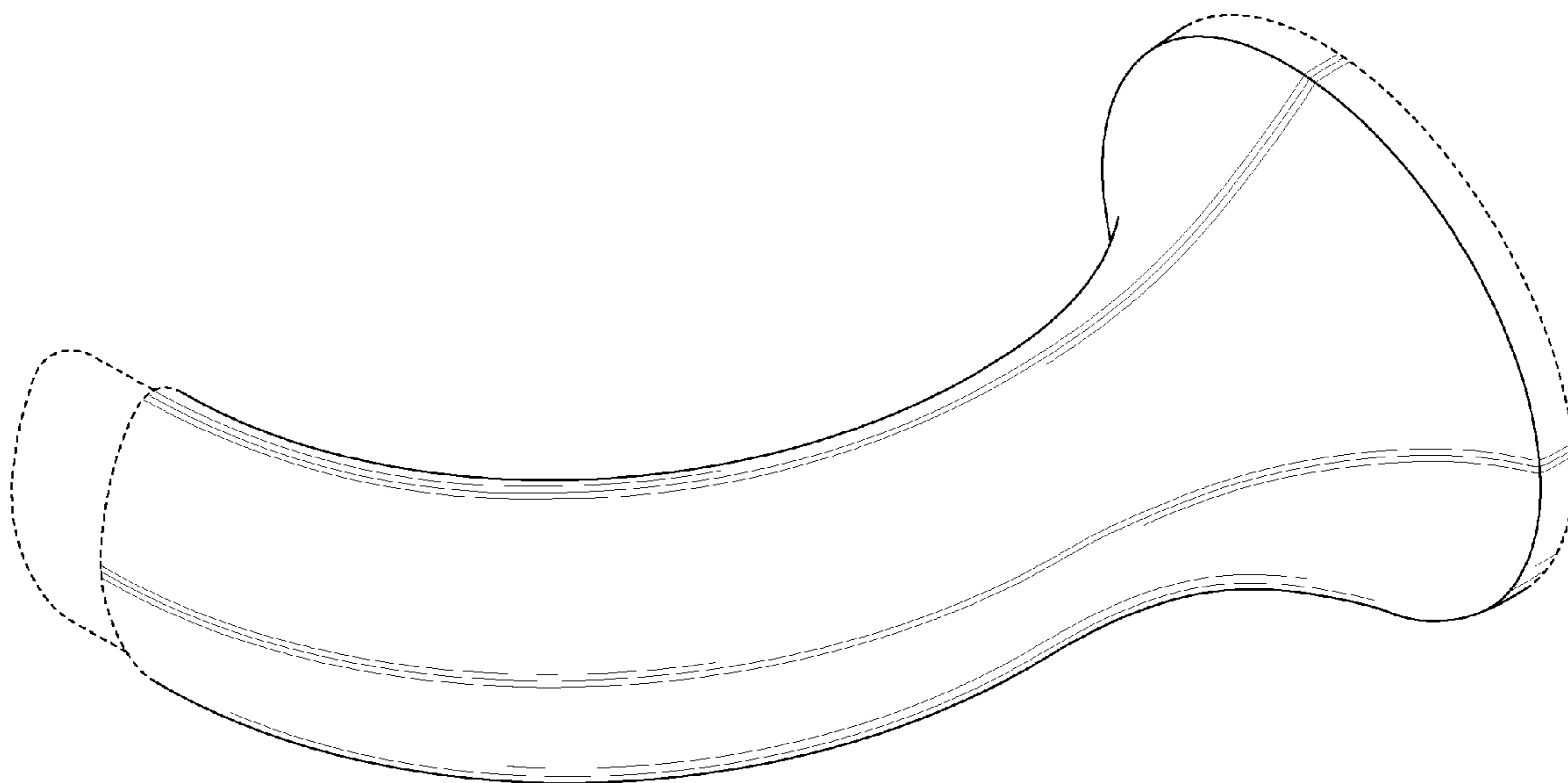
FIG. 4 is a left side elevational view of the accessory post of FIG. 1;

FIG. 5 is a right side elevational view of the accessory post of FIG. 1; and,

FIG. 6 is a top plan view of the accessory post of FIG. 1, the bottom plan view being a mirror image.

The broken line disclosure of portions of the article in which the claimed design is embodied form no part of the claimed design, and the broken line between claimed and unclaimed portions of the article is understood to represent an unclaimed boundary.

1 Claim, 4 Drawing Sheets



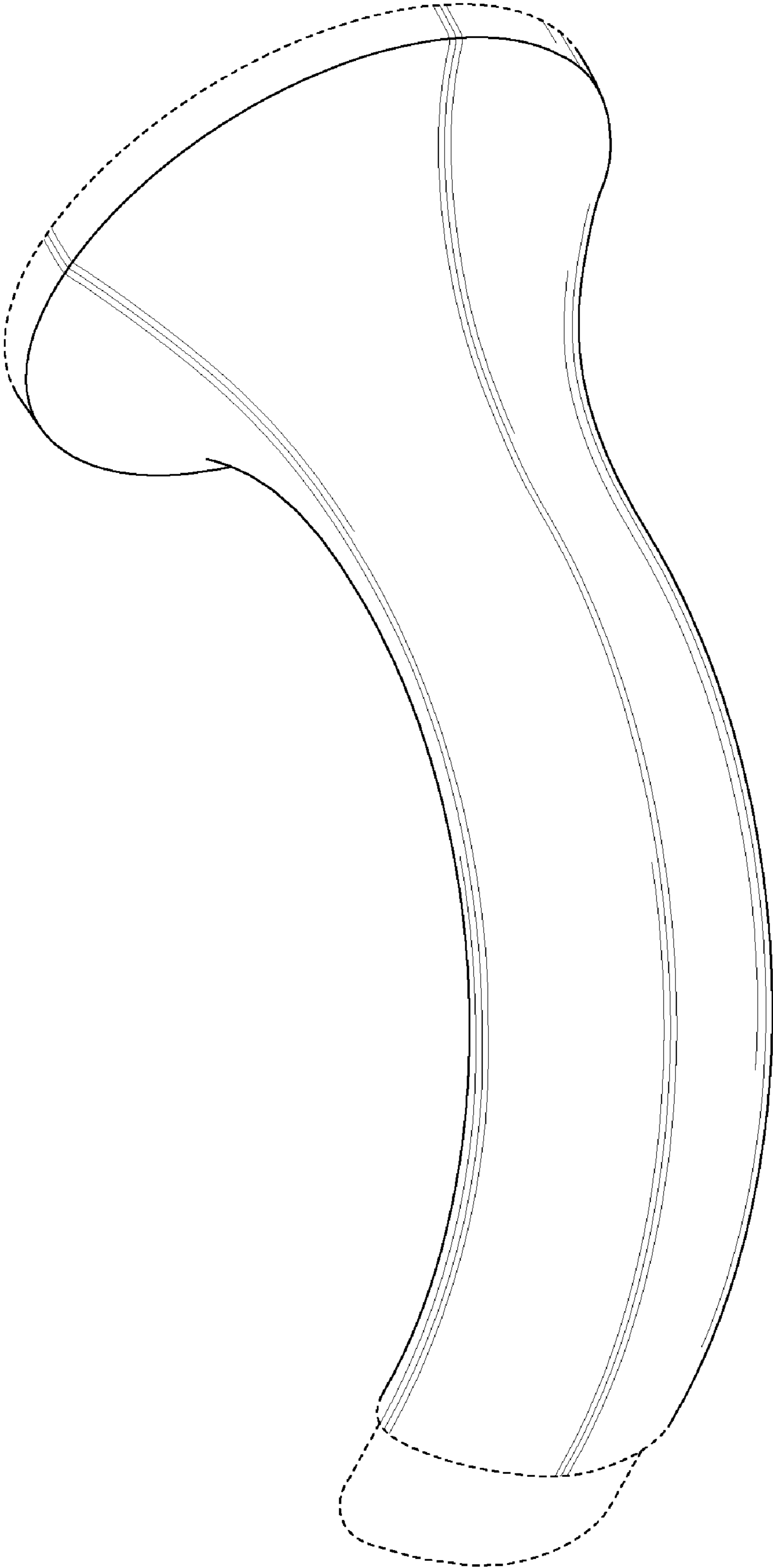


FIG. 1

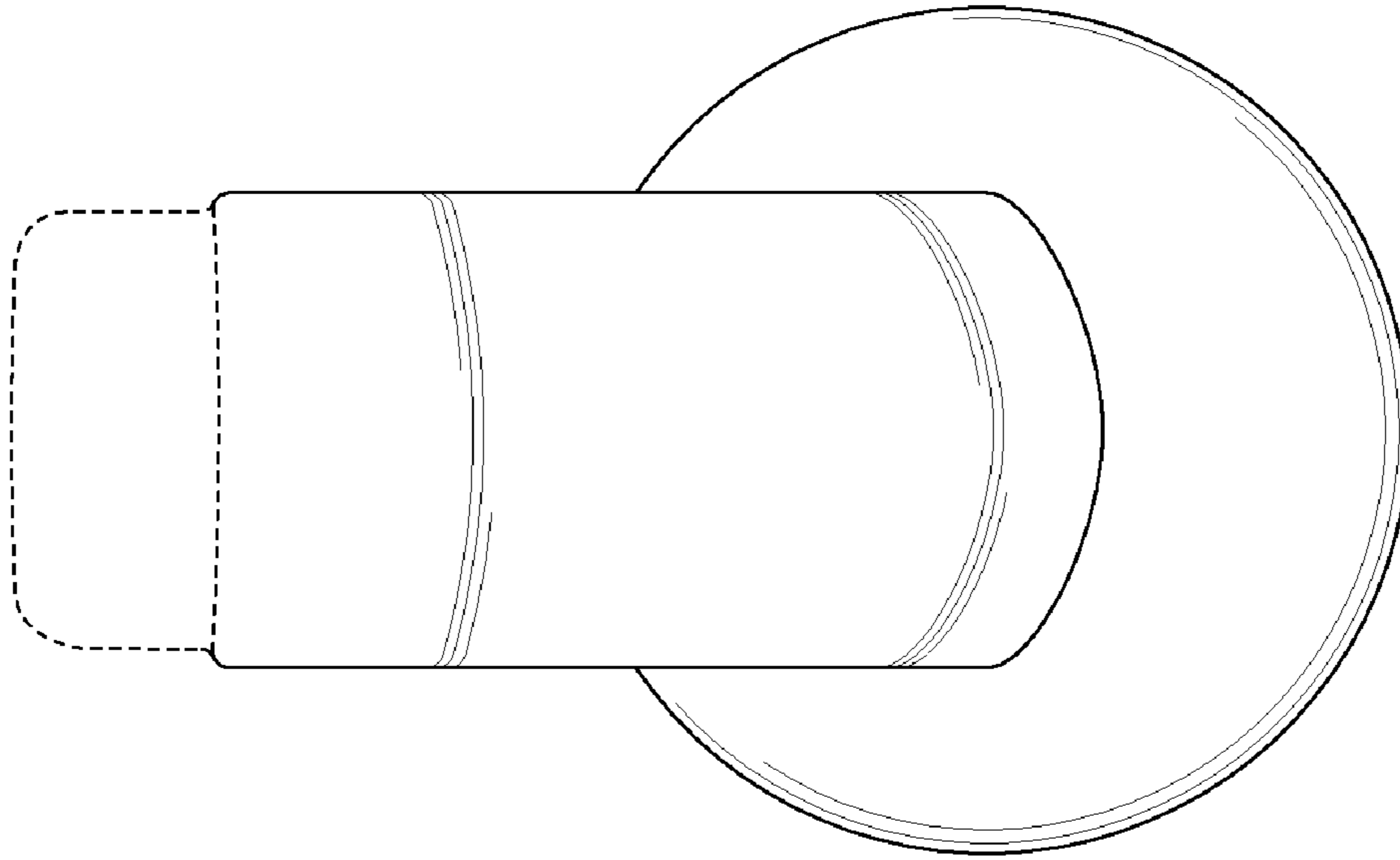


FIG. 2

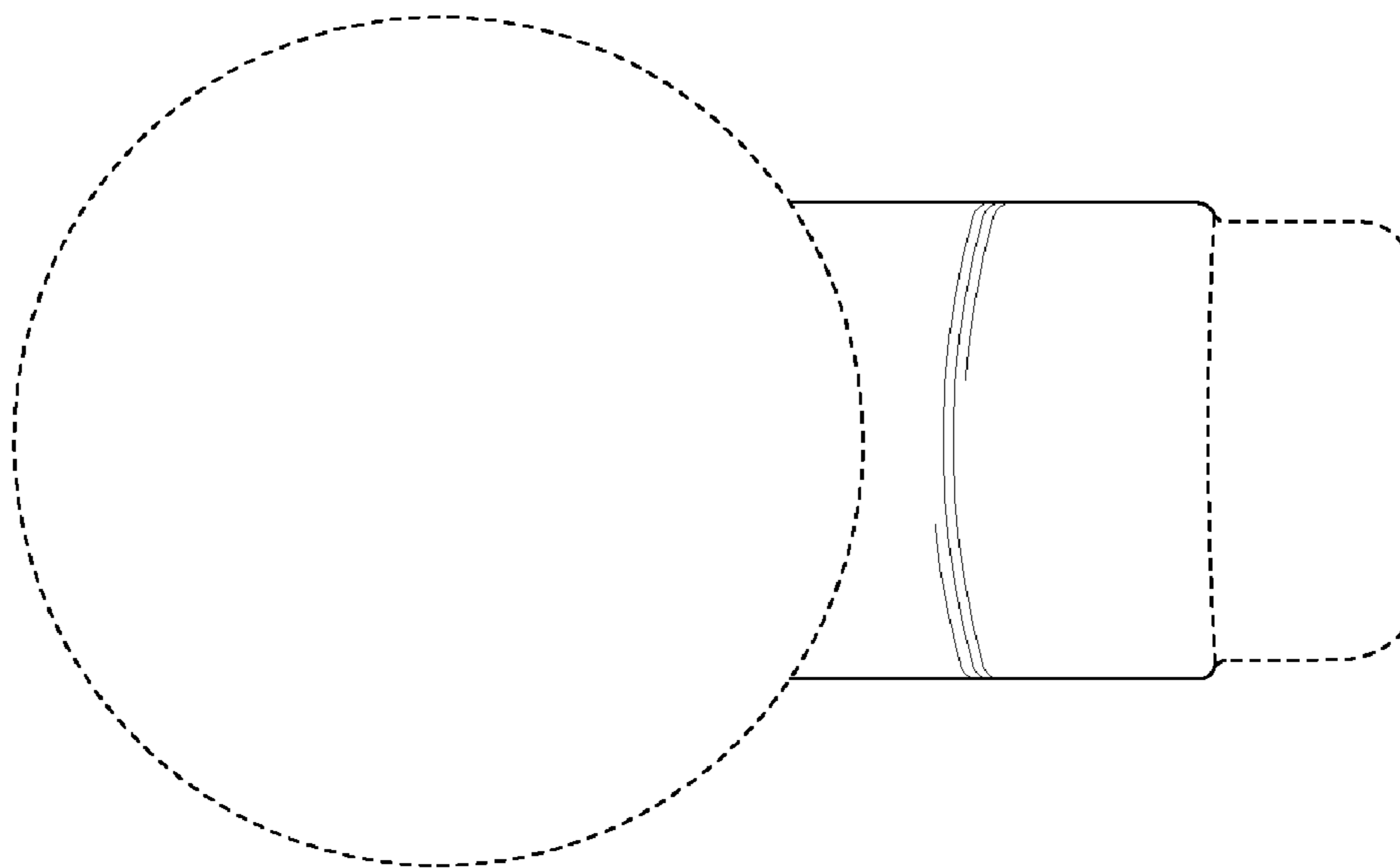


FIG. 3

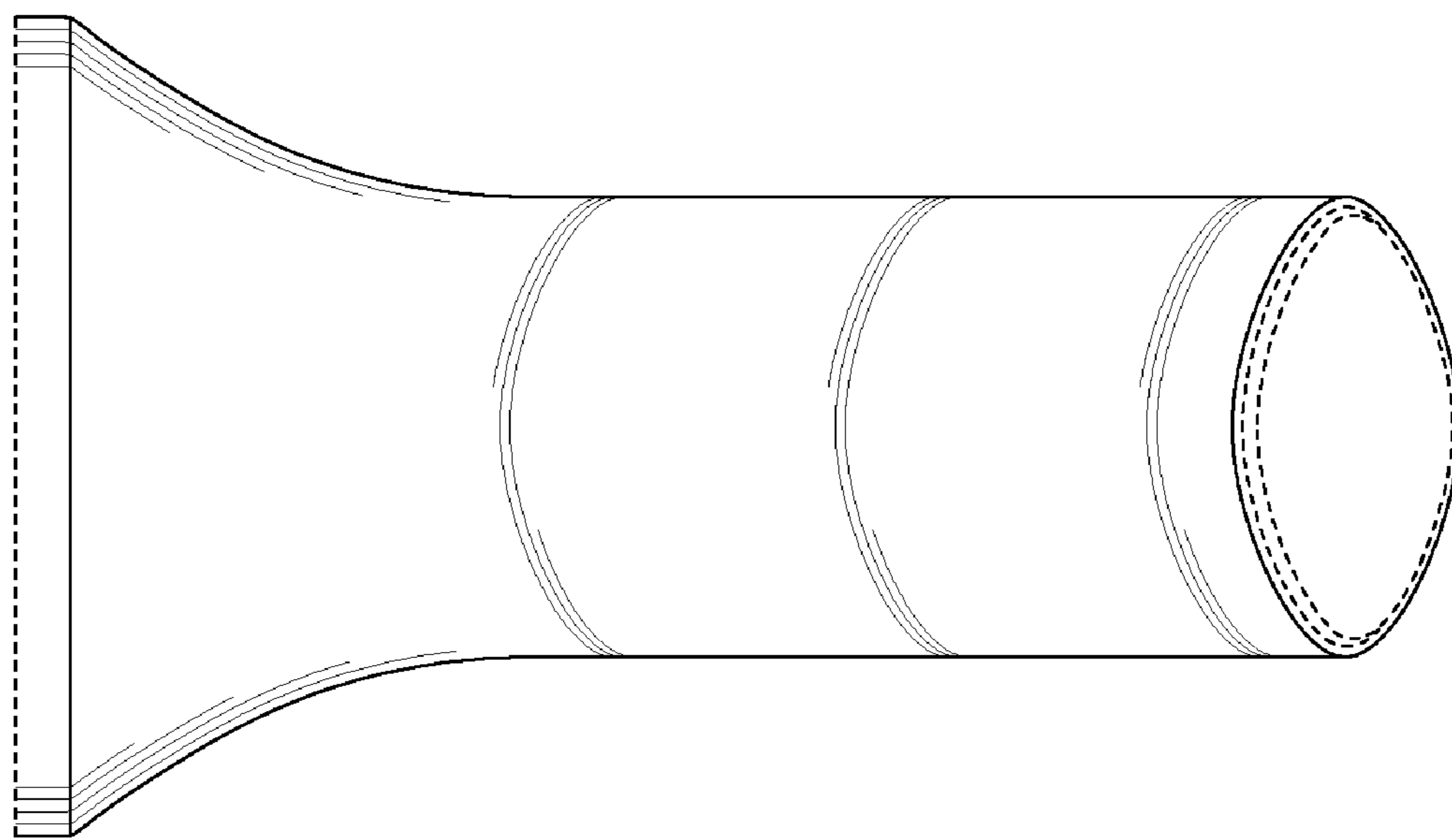


FIG. 4

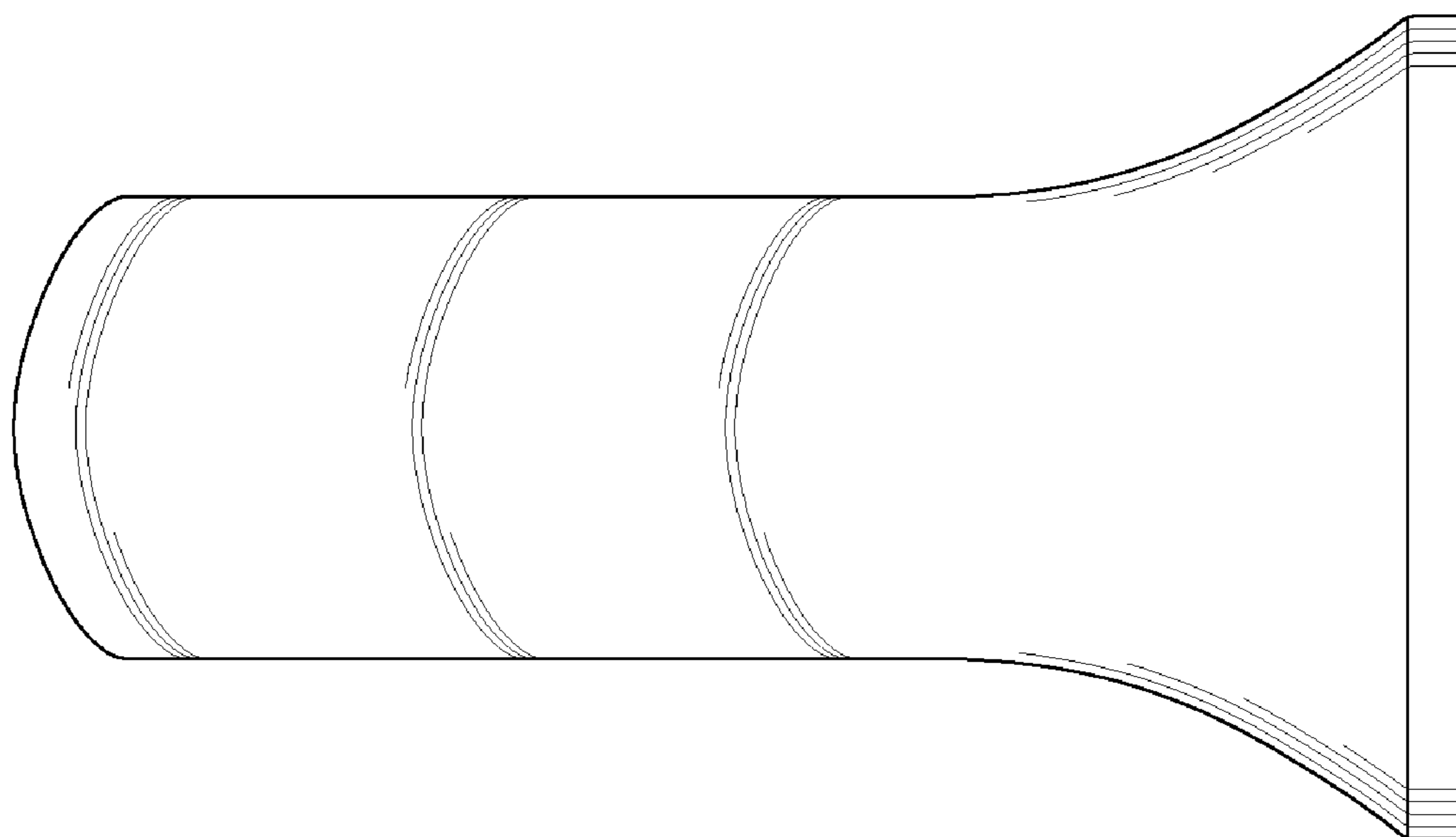


FIG. 5

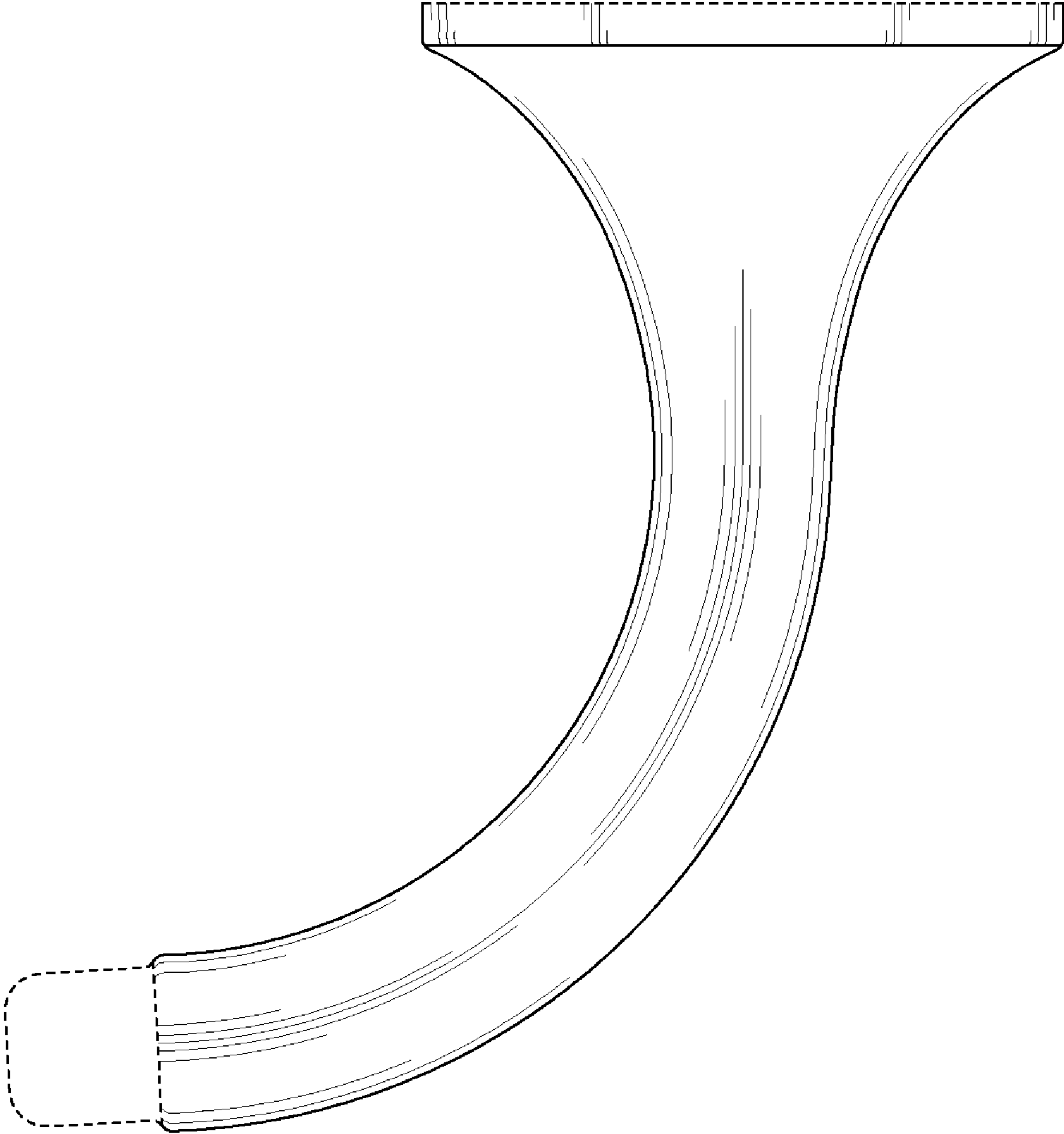


FIG. 6