



US00D596886S

(12) **United States Design Patent**
Nielsen

(10) **Patent No.:** **US D596,886 S**
(45) **Date of Patent:** **** Jul. 28, 2009**

(54) **MULTIMEDIA SYSTEM CONTROLLER TRAY**

(75) Inventor: **Britta Claire Nielsen**, Seattle, WA (US)

(73) Assignee: **Slam Brands, Inc.**, Redmond, WA (US)

(**) Term: **14 Years**

(21) Appl. No.: **29/336,696**

(22) Filed: **May 7, 2009**

(51) **LOC (9) Cl.** **06-04**

(52) **U.S. Cl.** **D6/510**

(58) **Field of Classification Search** D6/510;
206/373, 562, 563, 214, 371; D19/65, 75,
D19/77-78, 81, 83, 86, 91-92, 95, 99, 100;
211/69.1, 69.9, 10-11, 13.1, 45, 50
See application file for complete search history.

(56) **References Cited**

U.S. PATENT DOCUMENTS

D422,141 S *	4/2000	Dembicks	D3/313
D446,063 S *	8/2001	Quinn	D6/510
D455,921 S *	4/2002	Quinn	D6/510
D472,711 S *	4/2003	Chen	D3/313
D490,259 S *	5/2004	Schumann et al.	D6/510
D545,500 S *	6/2007	McCambridge	D28/74
D547,973 S *	8/2007	Brown et al.	D6/476
D563,673 S *	3/2008	Dretzka	D3/304
D579,698 S *	11/2008	Nielsen	D6/510
D583,599 S *	12/2008	Nielsen	D6/510

D584,083 S *	1/2009	Nielsen	D6/510
D590,596 S *	4/2009	Dretzka	D3/304
2003/0006156 A1 *	1/2003	McCracken et al.	206/373
2004/0245254 A1 *	12/2004	Rosenberg et al.	220/507

* cited by examiner

Primary Examiner—Elizabeth A Albert

Assistant Examiner—Kelley A Donnelly

(74) *Attorney, Agent, or Firm*—Turocy & Watson, LLP;
Thomas E. Watson

(57) **CLAIM**

An ornamental design for the multimedia system controller tray, as shown and described.

DESCRIPTION

FIG. 1 is a first perspective view of a design for the multimedia system controller tray;

FIG. 2 is a second perspective view of the design therefor;

FIG. 3 is a first end view of the design therefor;

FIG. 4 is a second end view of the design therefor;

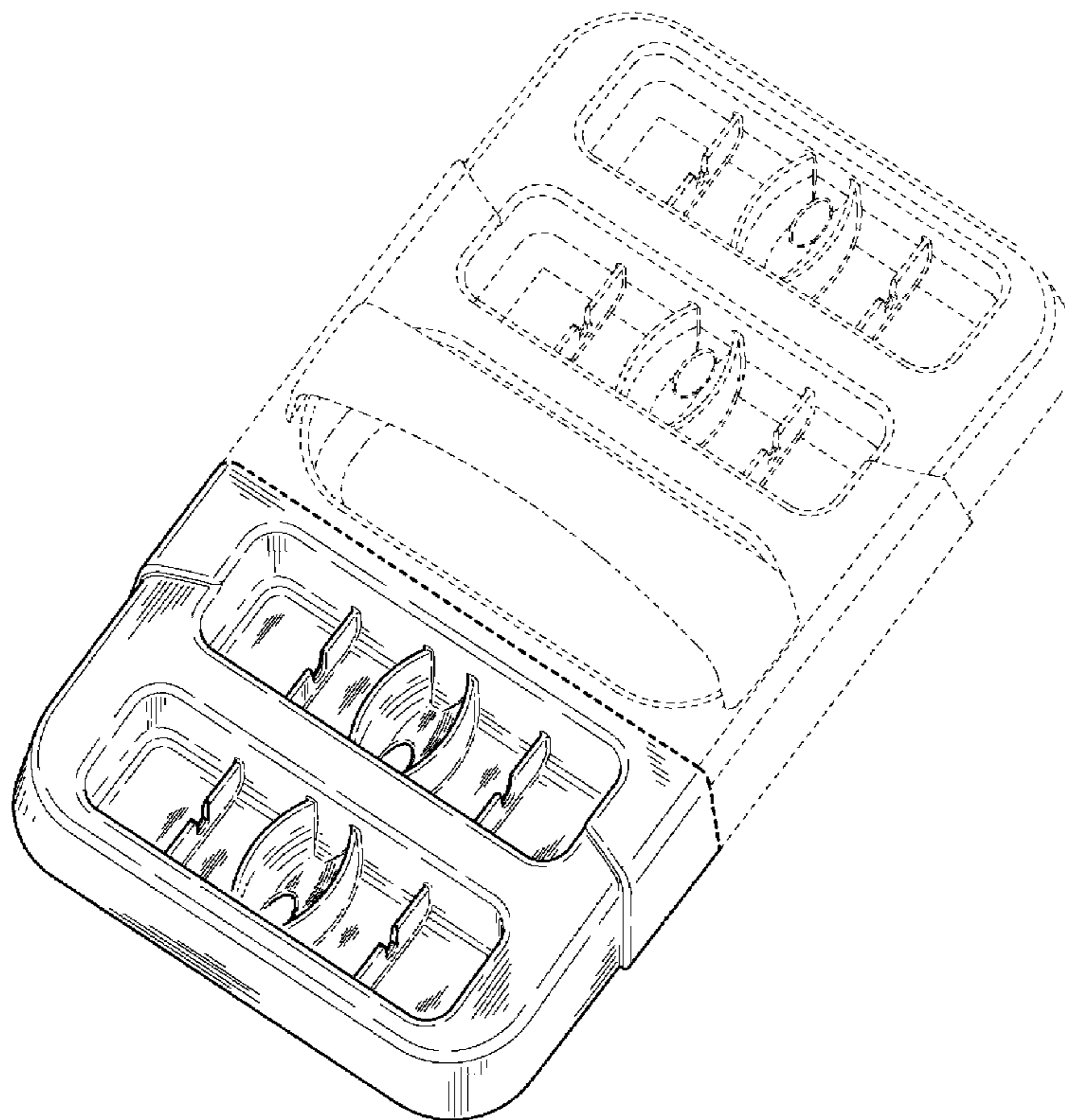
FIG. 5 is a side view of the design therefor mirrored on the opposing side;

FIG. 6 is a top plan view of the design therefor; and,

FIG. 7 is a bottom plan view of the design therefor.

The dashed lines in the drawings are shown for environmental purposes and form no part of the claimed design.

1 Claim, 6 Drawing Sheets



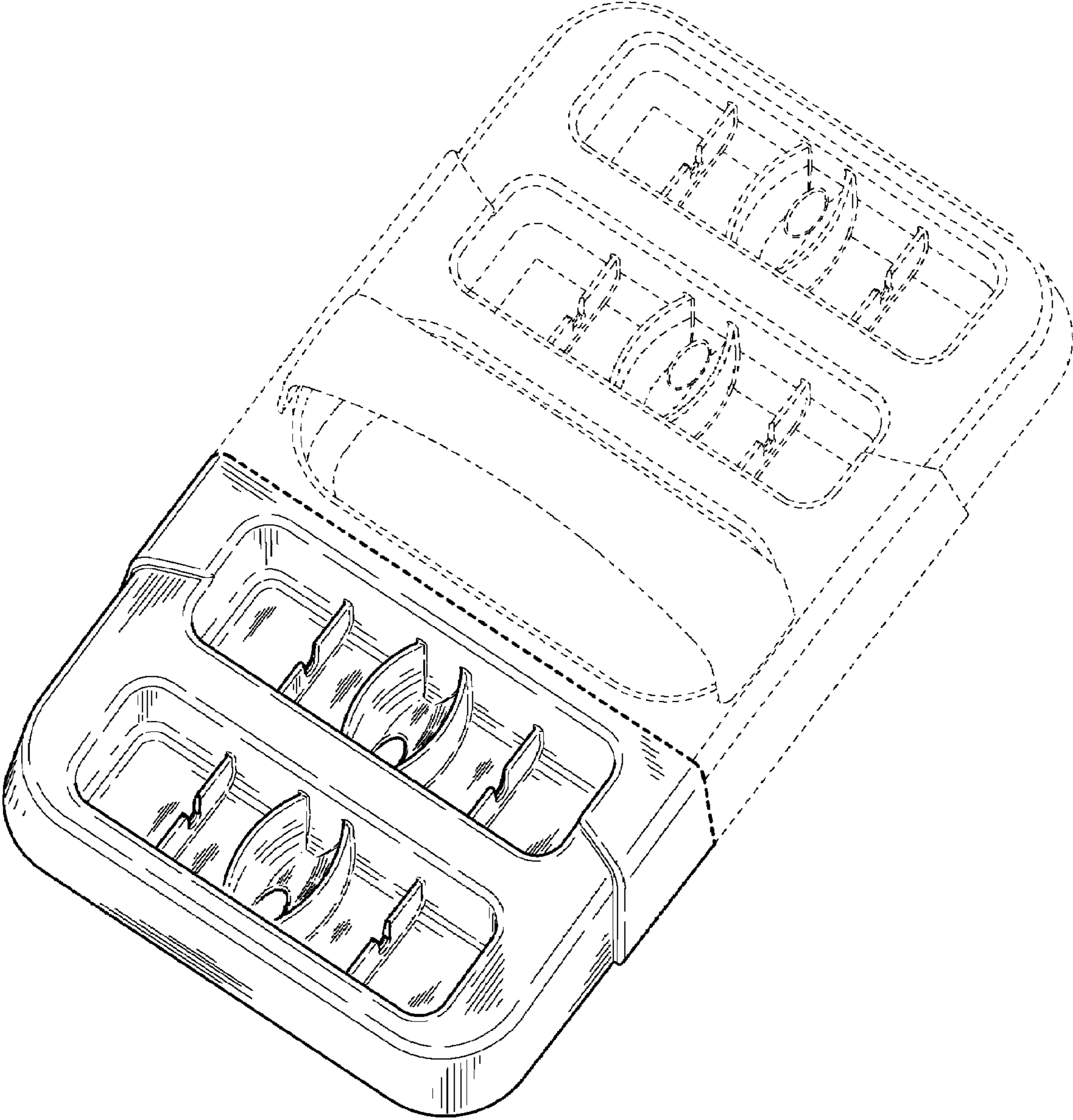


Fig. 1

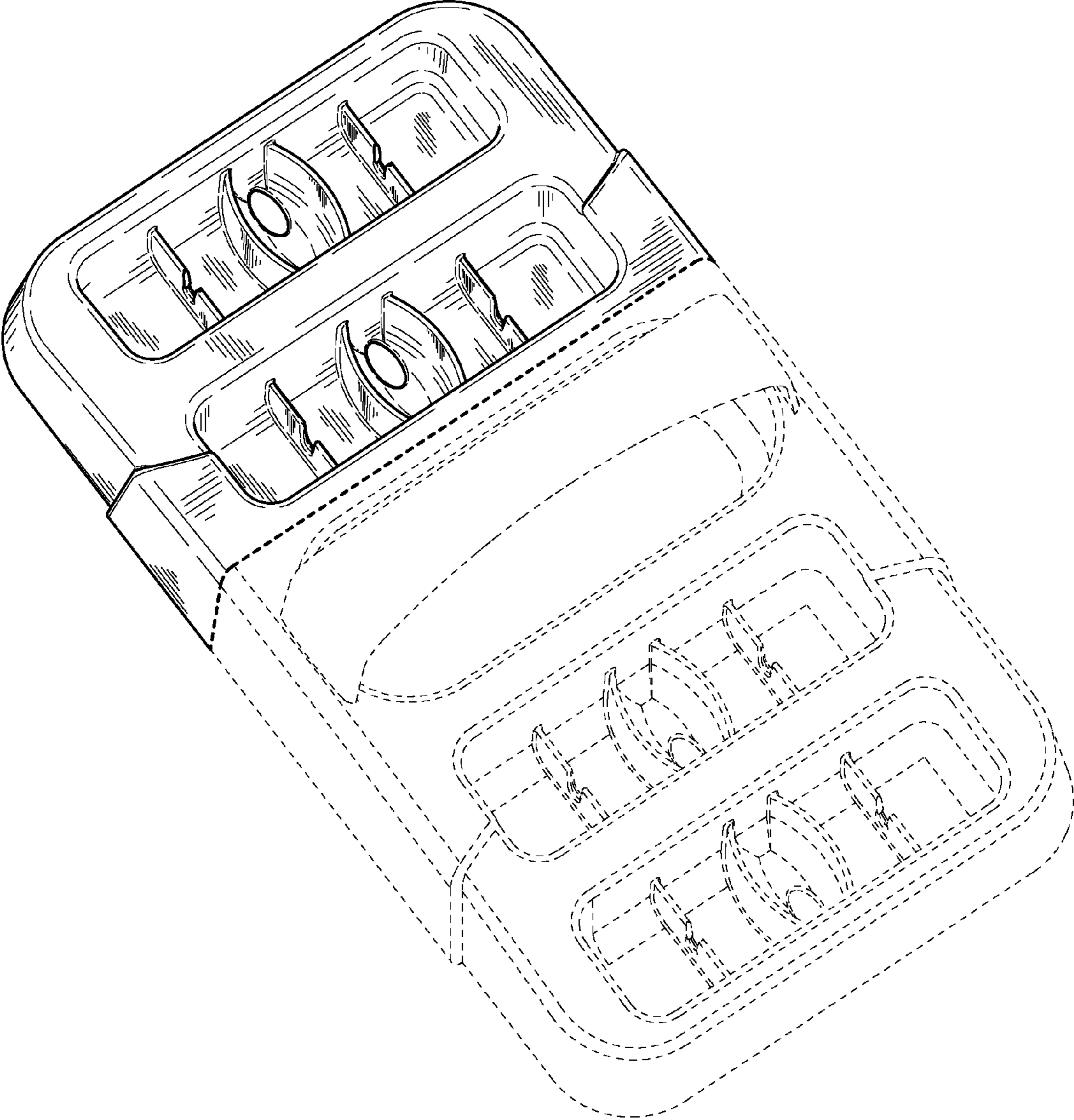


Fig. 2

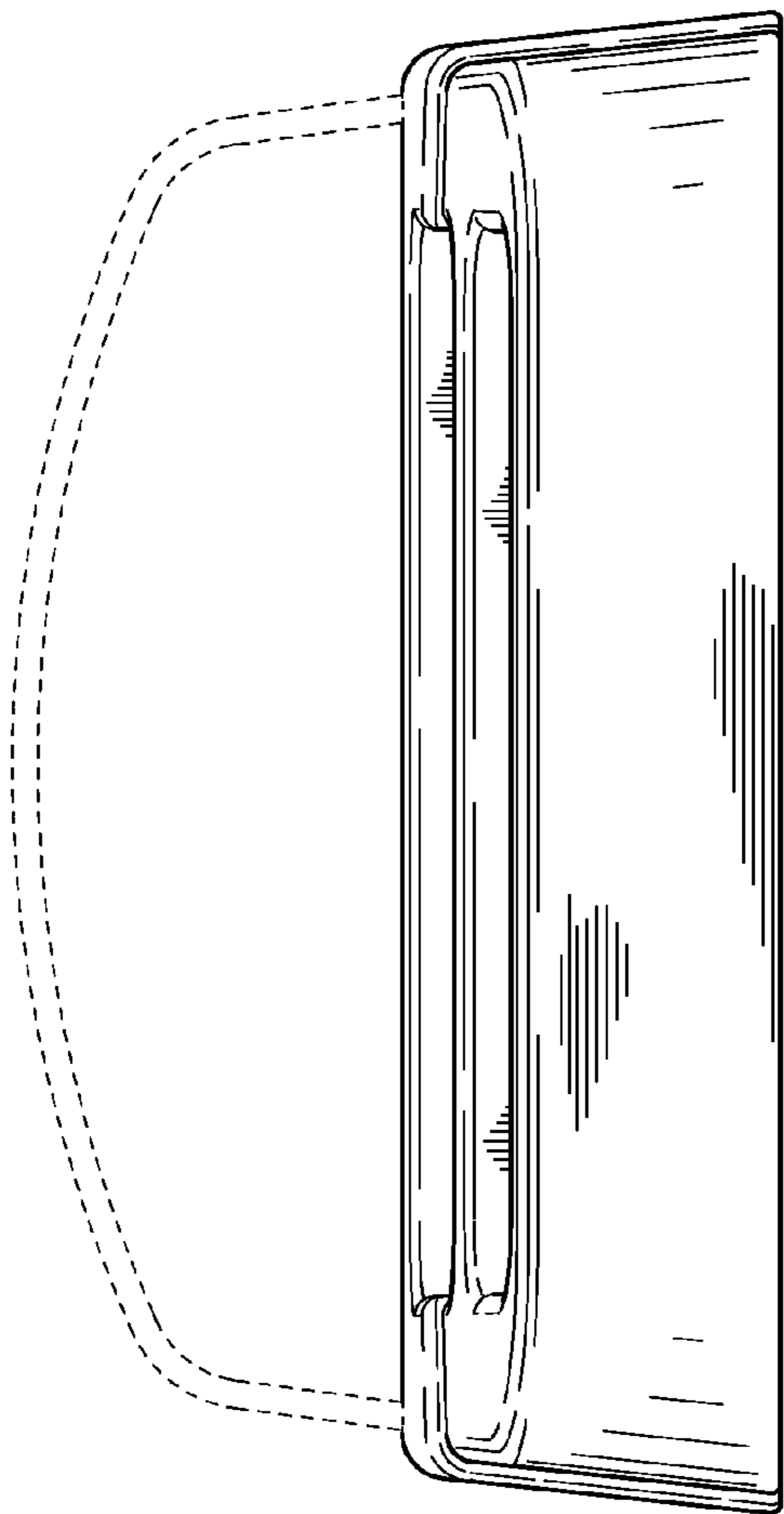


Fig. 3

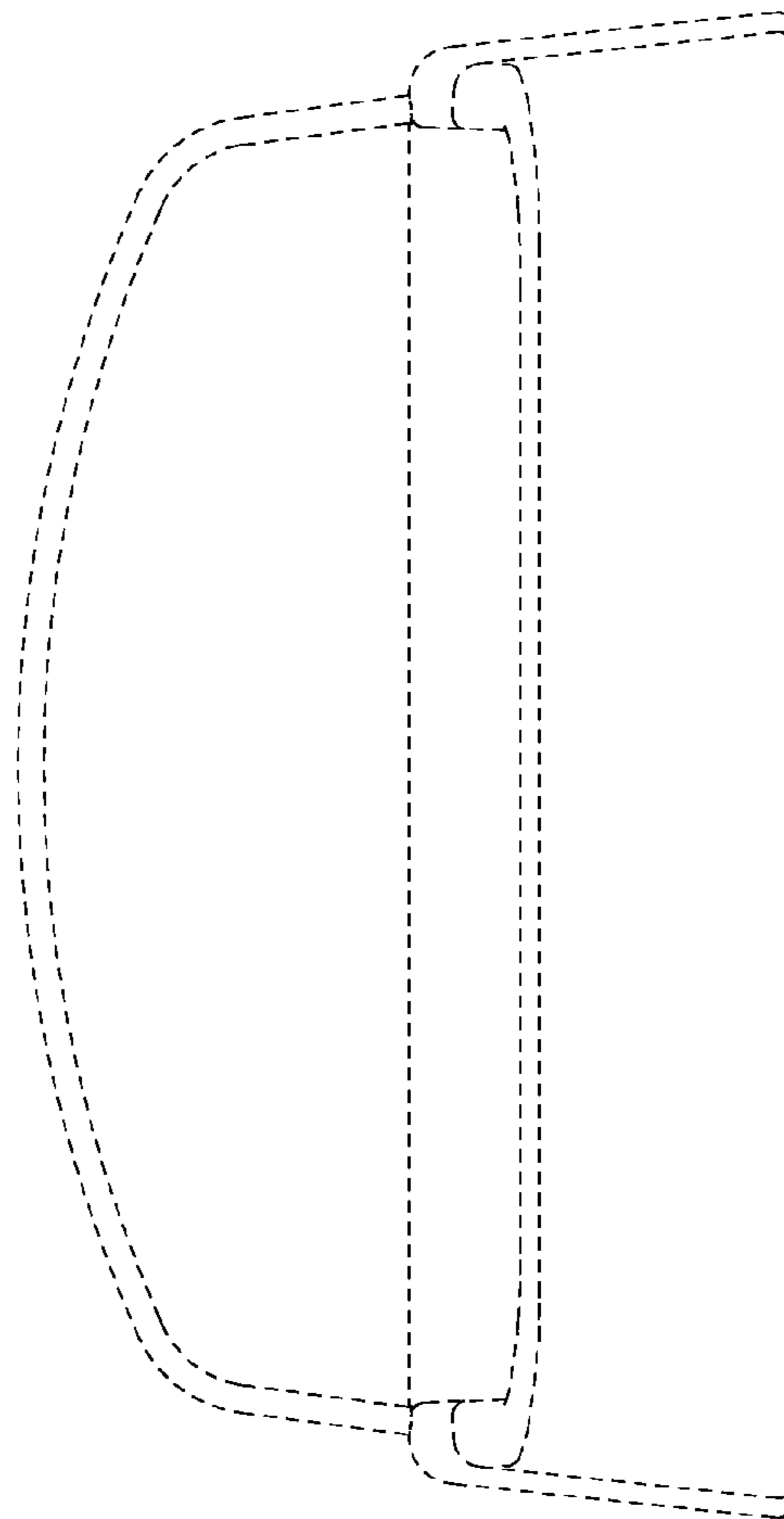


Fig. 4

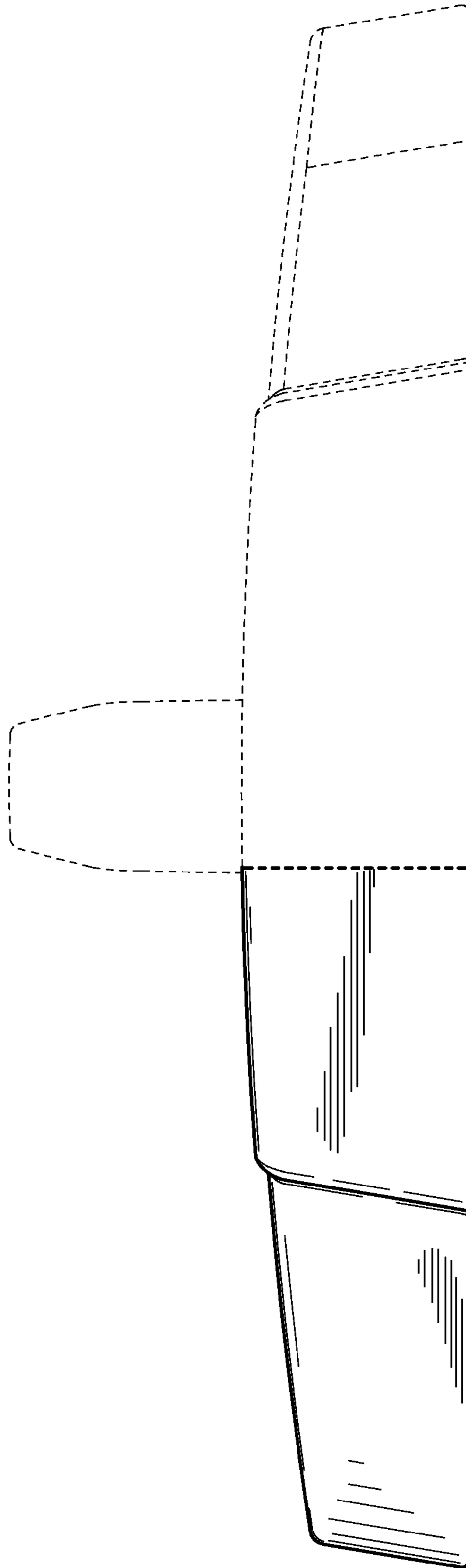


Fig. 5

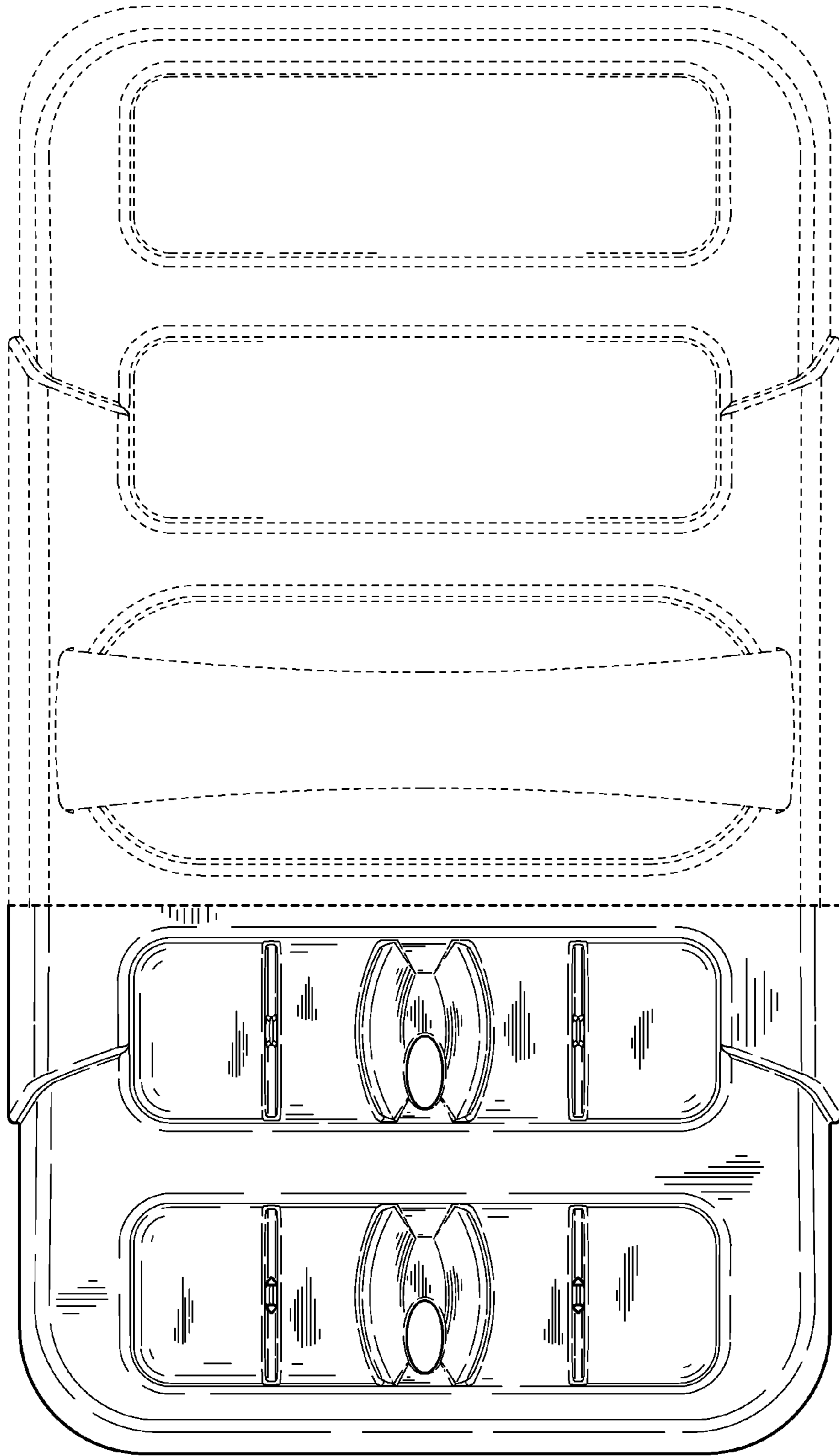


Fig. 6

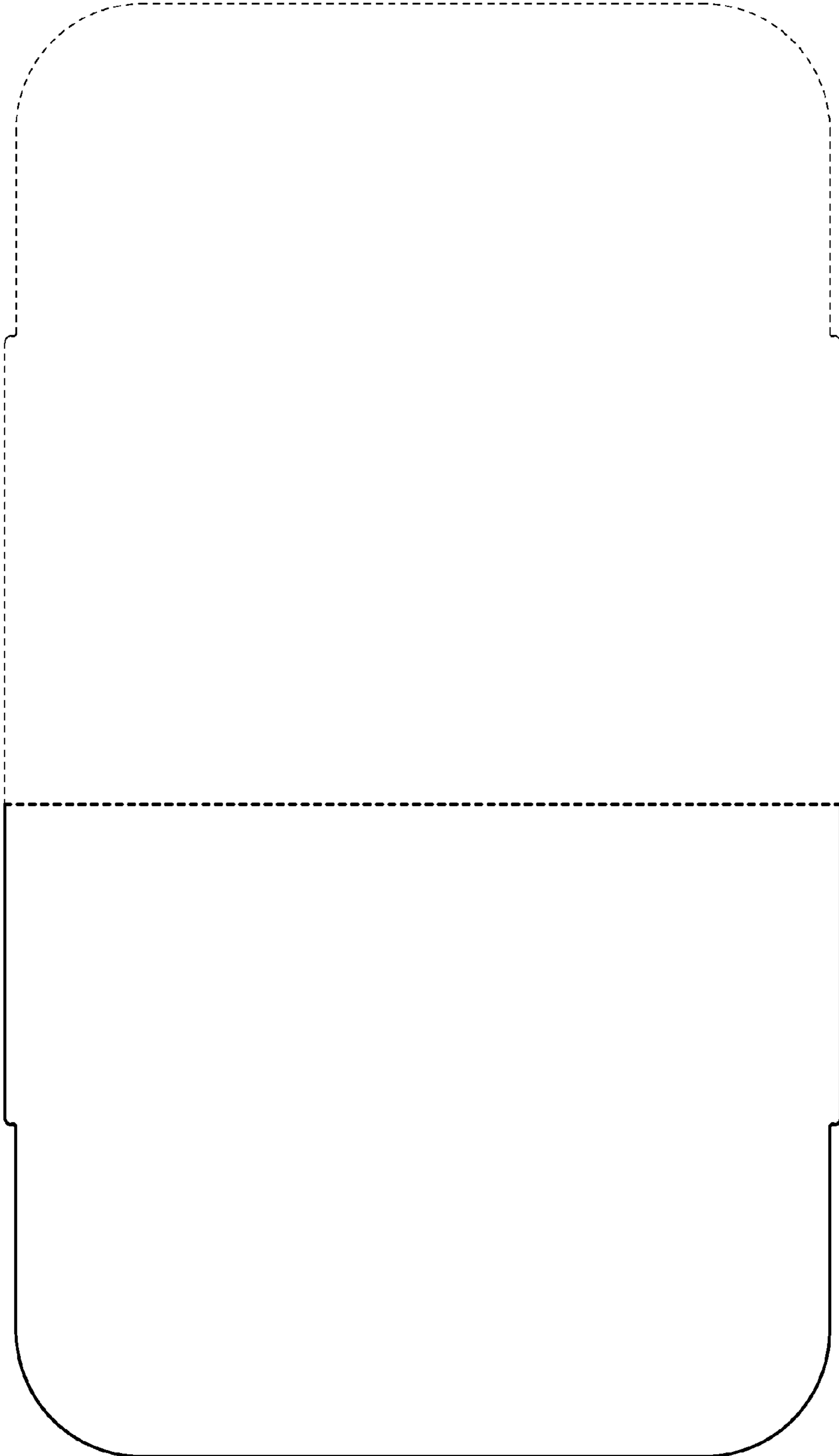


Fig. 7