



US00D596881S

(12) **United States Design Patent**  
**Kitada**

(10) **Patent No.:** **US D596,881 S**

(45) **Date of Patent:** **\*\* Jul. 28, 2009**

(54) **DESK LEGS**

(75) Inventor: **Kazuhiko Kitada**, Yokohama (JP)

(73) Assignee: **Okamura Corporation** (JP)

(\*\*) Term: **14 Years**

(21) Appl. No.: **29/306,933**

(22) Filed: **Apr. 18, 2008**

(30) **Foreign Application Priority Data**

Oct. 19, 2007 (JP) ..... 2007-028734

(51) **LOC (9) Cl.** ..... **06-06**

(52) **U.S. Cl.** ..... **D6/495; D6/484**

(58) **Field of Classification Search** ..... D6/480-489,  
D6/495-499, 429-431, 422-428; 108/150,  
108/153.1, 156, 157.1, 161; 248/188, 188.1,  
248/188.8

See application file for complete search history.

(56) **References Cited**

**U.S. PATENT DOCUMENTS**

D198,212 S \* 5/1964 Kasparian ..... D6/495

D284,532 S \* 7/1986 Vogt ..... D6/428

D352,845 S \* 11/1994 Hellwig et al. .... D6/422

D363,391 S \* 10/1995 Zapf ..... D6/422

D363,701 S \* 10/1995 Paquette et al. .... D6/484

D370,579 S \* 6/1996 Simon ..... D6/484

D374,787 S \* 10/1996 Stoddard et al. .... D6/484

\* cited by examiner

*Primary Examiner*—Janice E Seeger

(74) *Attorney, Agent, or Firm*—Ostrolenk, Faber, Gerb & Soffen, LLP

(57) **CLAIM**

The ornamental design for desk legs, as shown and described.

**DESCRIPTION**

FIG. 1 is a top perspective view of desk legs showing my new design;

FIG. 2 is a front elevational view thereof;

FIG. 3 is a rear elevational view thereof;

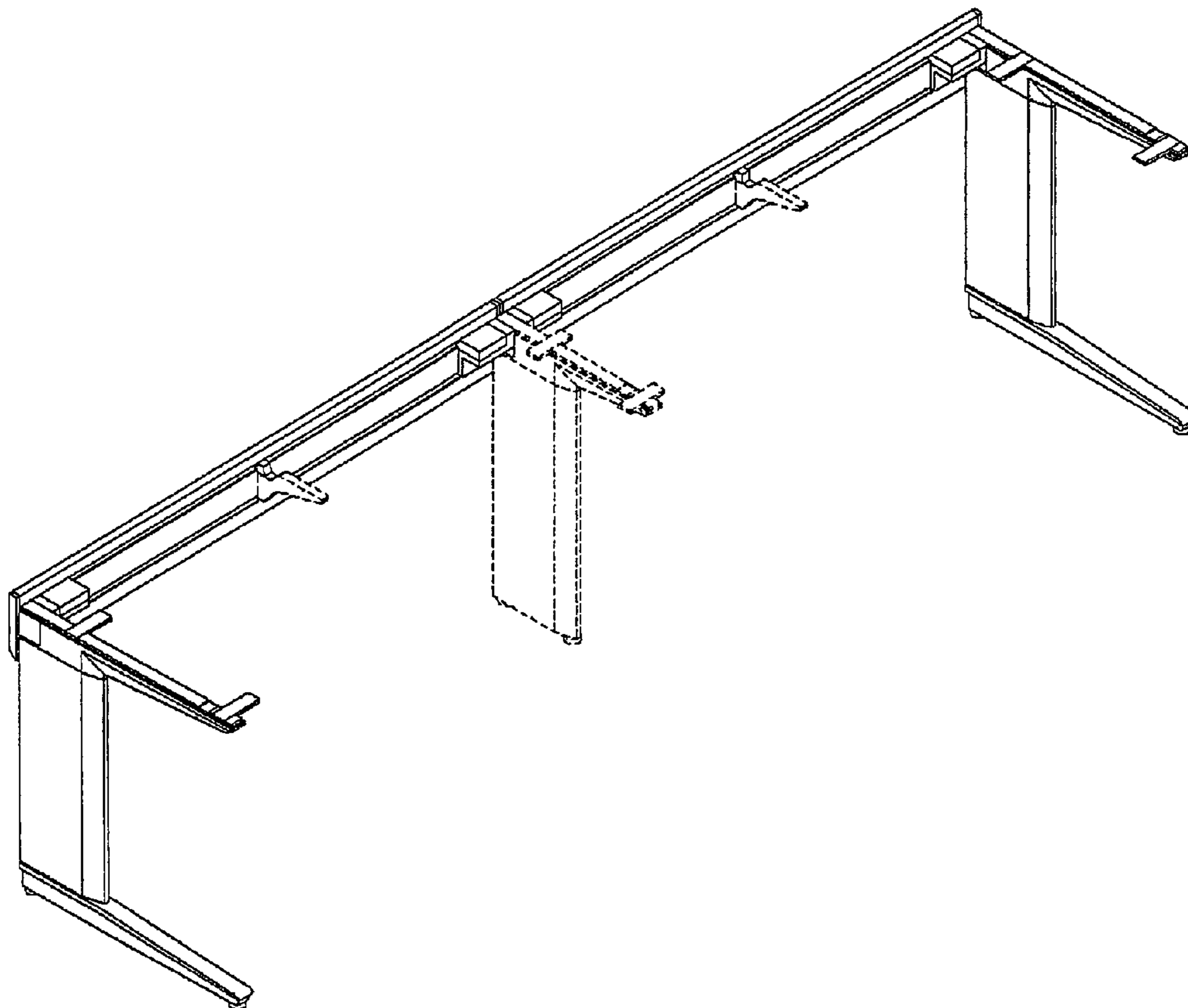
FIG. 4 is a top plan view thereof;

FIG. 5 is a bottom plan view thereof; and,

FIG. 6 is a right side elevational view thereof, the opposite left side elevational view thereof being a mirror image.

The environmental material shown in broken lines forms no part of the design.

**1 Claim, 6 Drawing Sheets**



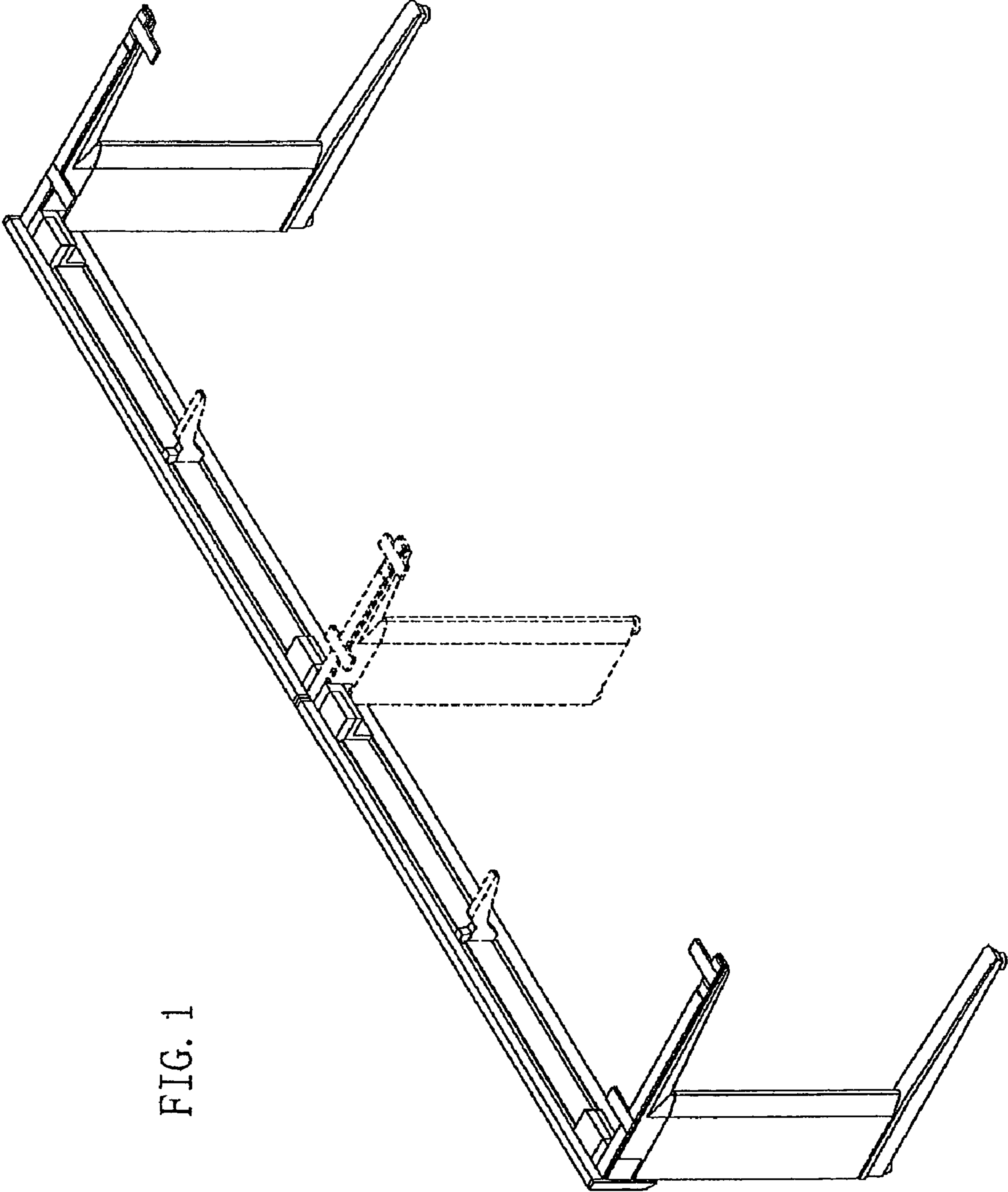


FIG. 1

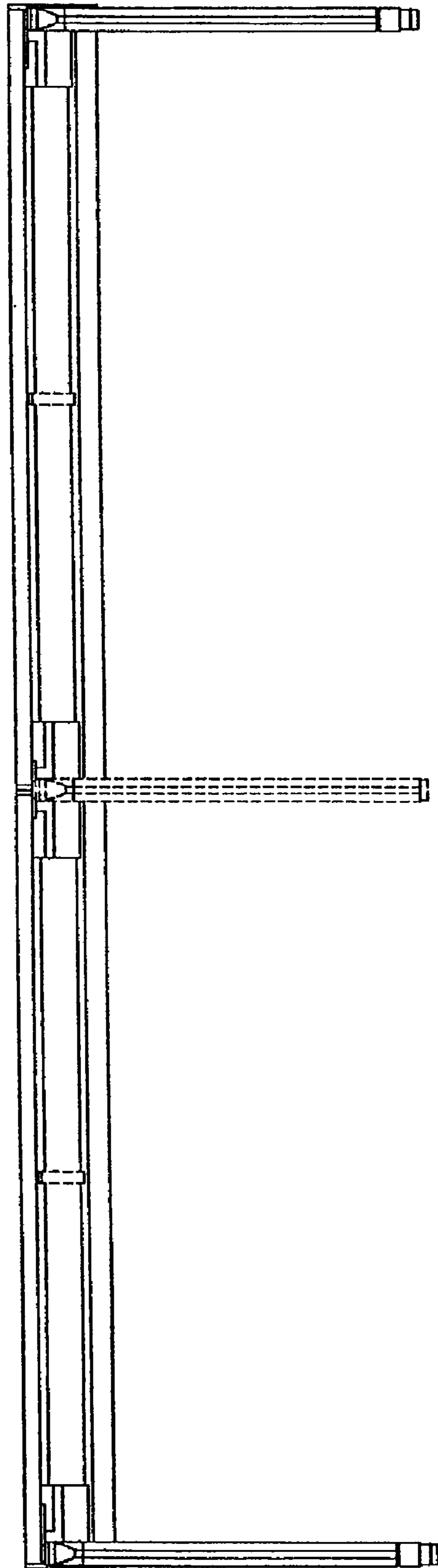


FIG. 2

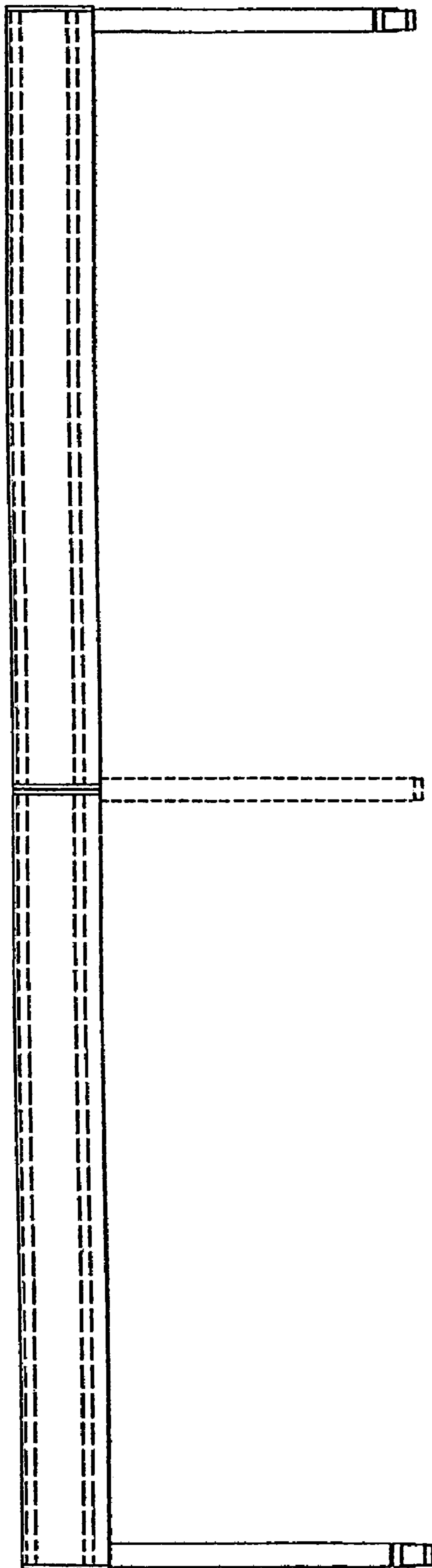


FIG. 3

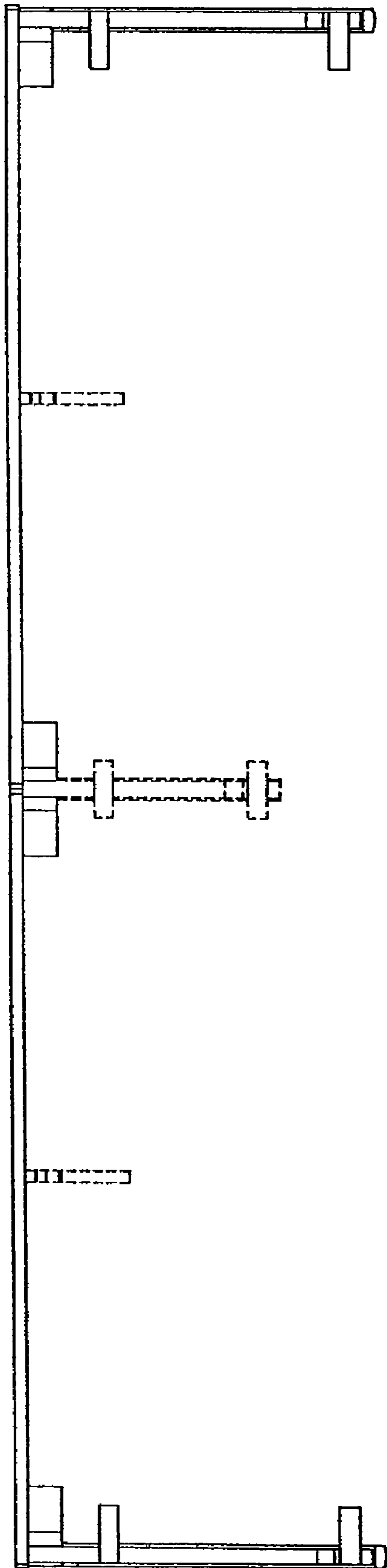


FIG. 4

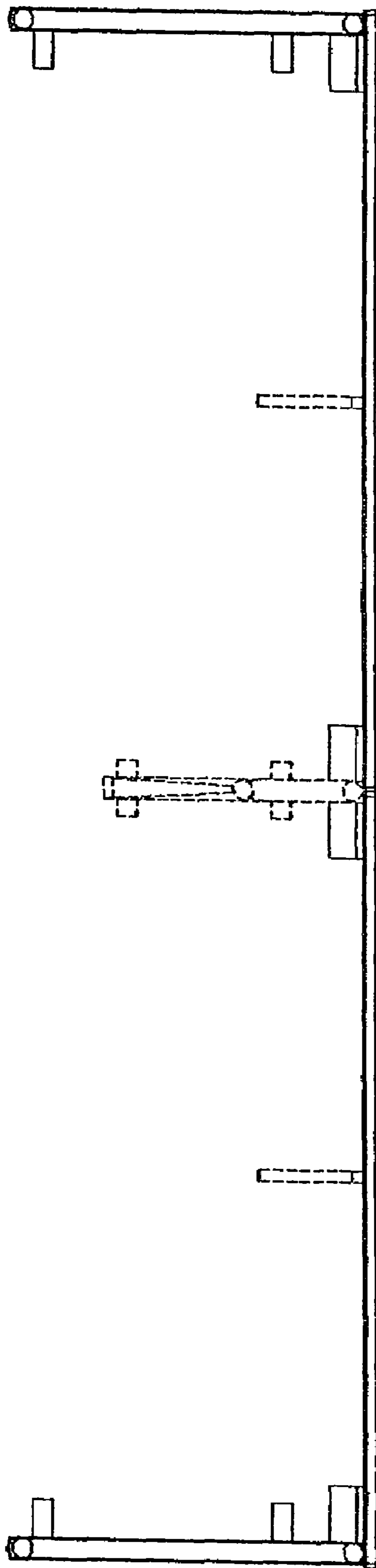


FIG. 5

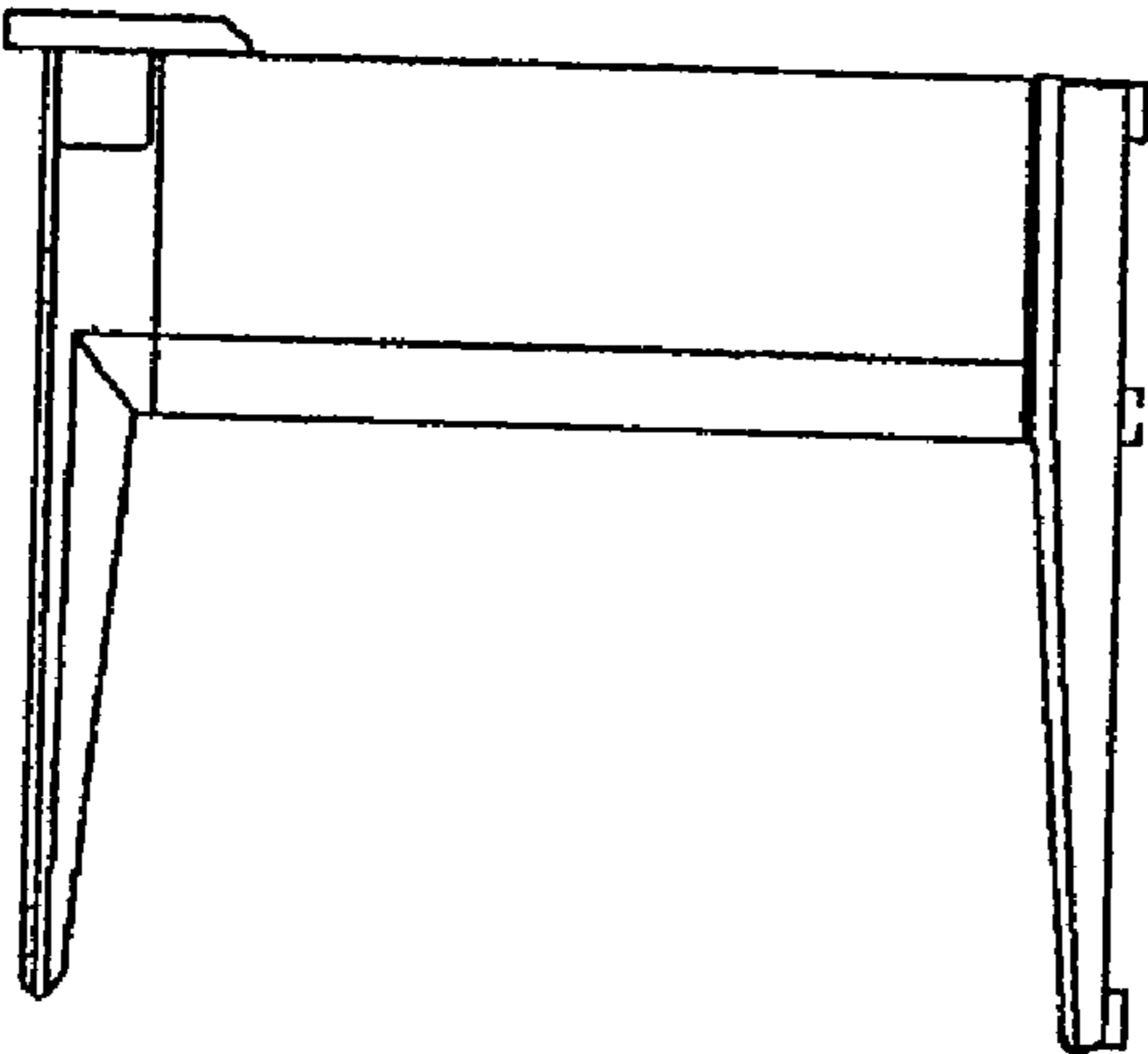


FIG. 6