



US00D596880S

(12) **United States Design Patent**
Beukema et al.

(10) **Patent No.:** **US D596,880 S**
(45) **Date of Patent:** **** Jul. 28, 2009**

(54) **ICONIC SUPPORT FOR A STORAGE BIN**

(75) Inventors: **Steven James Beukema**, Grand Rapids, MI (US); **Brett R. Kincaid**, Lowell, MI (US)

(73) Assignee: **Steelcase Development Corporation**, Grand Rapids, MI (US)

(**) Term: **14 Years**

(21) Appl. No.: **29/260,268**

(22) Filed: **May 23, 2006**

(51) **LOC (9) Cl.** **06-06**

(52) **U.S. Cl.** **D6/495**

(58) **Field of Classification Search** D3/297;
D6/397, 432, 436-440, 445-448, 470, 477-479;
5/2.1; 108/90, 50.02, 106, 147, 153.1, 155,
108/186; 312/108-11, 140.1, 195-196, 204,
312/237, 249.4-249.5, 257.1, 265.4, 330.1,
312/348.31

See application file for complete search history.

(56) **References Cited**

U.S. PATENT DOCUMENTS

948,377	A	2/1910	Prouty	
3,226,172	A *	12/1965	Bateman	312/140.1
3,606,506	A *	9/1971	Ungaro	312/111
3,920,299	A	11/1975	Propst et al.	
4,699,067	A *	10/1987	Okopny	108/186
D303,999	S *	10/1989	Hansson	D3/297
4,883,330	A *	11/1989	Armstrong et al.	312/195
5,024,167	A *	6/1991	Hayward	108/50.02
5,094,174	A *	3/1992	Grund et al.	108/153.1
5,183,319	A	2/1993	Pearson et al.	
5,546,873	A *	8/1996	Conner et al.	108/90
5,588,376	A *	12/1996	Seidl et al.	108/106
5,606,919	A *	3/1997	Fox et al.	108/50.02
5,609,402	A *	3/1997	Kemp	312/265.4
D406,964	S *	3/1999	Lewis	D6/485
5,983,420	A *	11/1999	Tilley	5/2.1
D427,814	S *	7/2000	Black	D6/484

6,119,605	A *	9/2000	Agee	108/147
D437,716	S *	2/2001	Chau et al.	D6/509
D441,563	S *	5/2001	Chau et al.	D6/422
6,681,705	B2 *	1/2004	Wetterberg	108/155
D508,353	S *	8/2005	Brandon	D6/511
D508,621	S *	8/2005	Brandon	D6/426
7,077,068	B1 *	7/2006	Agee	108/147
D547,097	S *	7/2007	Bastian et al.	D6/491
D549,492	S *	8/2007	Sheppard	D6/485
D573,388	S *	7/2008	Auciello	D6/570
2005/0189851	A1 *	9/2005	Martin et al.	312/196

FOREIGN PATENT DOCUMENTS

JP 8-299060 11/1996

* cited by examiner

Primary Examiner—Caron Veynar

Assistant Examiner—Ricky Pham

(74) *Attorney, Agent, or Firm*—Quarles & Brady, LLP

(57) **CLAIM**

The ornamental design for an iconic support for a storage bin, as shown and described.

DESCRIPTION

In a preferred embodiment, the nature of this product is an iconic support for a storage bin that is located above a work-surface such as a desk.

FIG. 1 is a front, left, upper perspective view of an iconic support for a storage bin embodying our new design;

FIG. 2 is a left side elevational view thereof, the right side elevational view being identical;

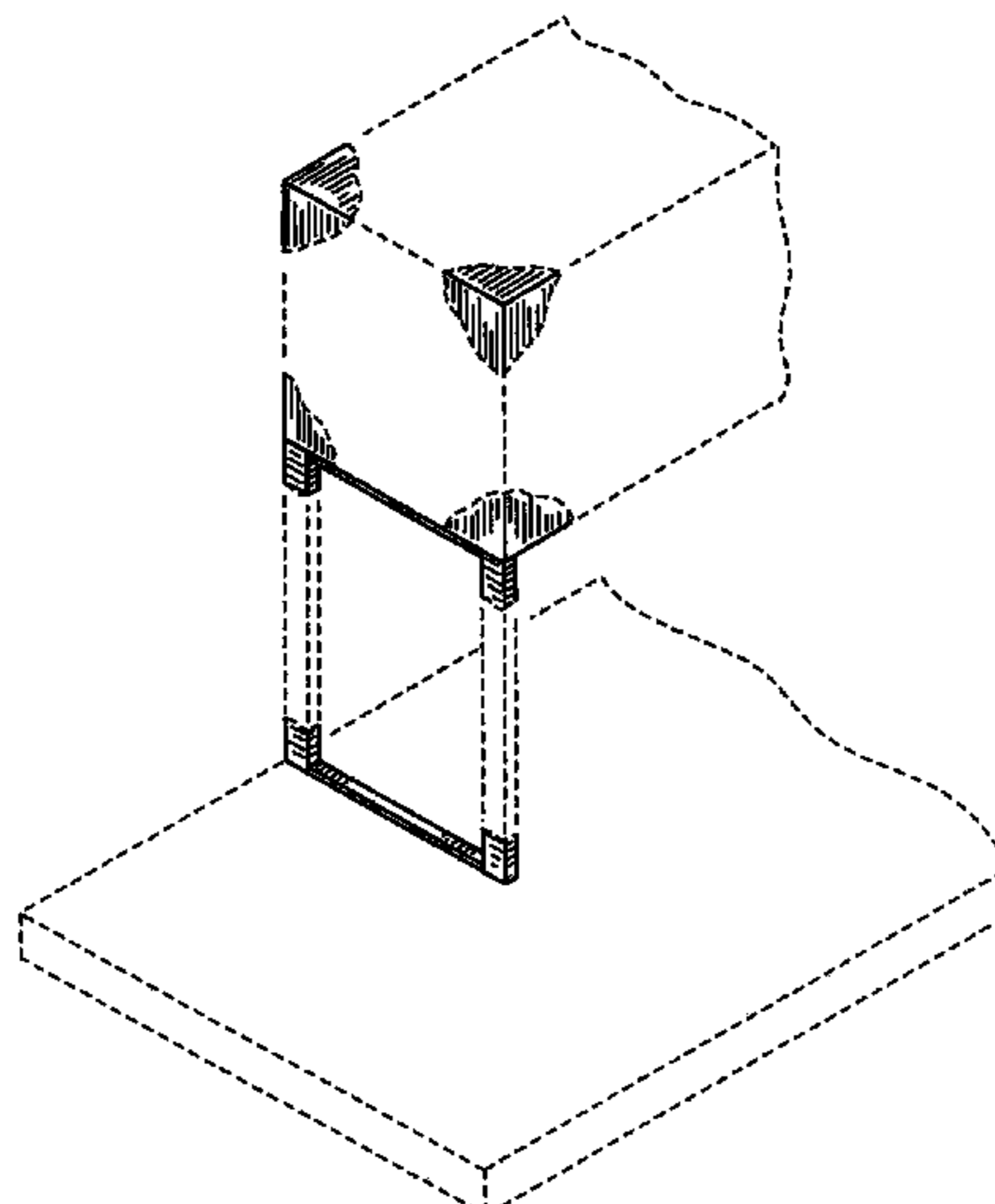
FIG. 3 is a front elevational view thereof, the rear elevational view being a mirror image thereof;

FIG. 4 is a top plan view thereof; and,

FIG. 5 is a bottom plan view thereof.

The broken lines in the drawings are for illustrative purposes only and form no part of the claimed design.

1 Claim, 3 Drawing Sheets



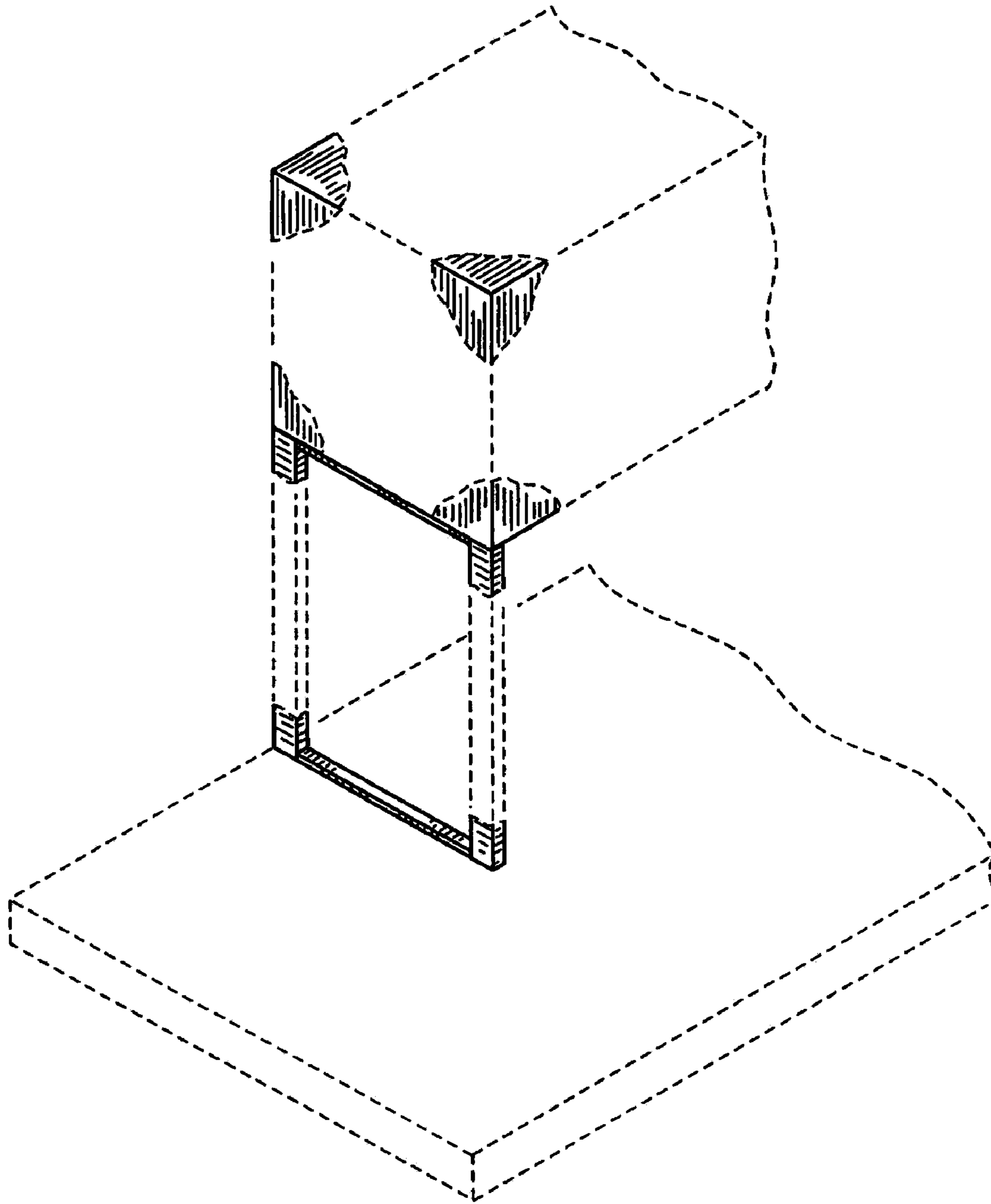


FIG. 1

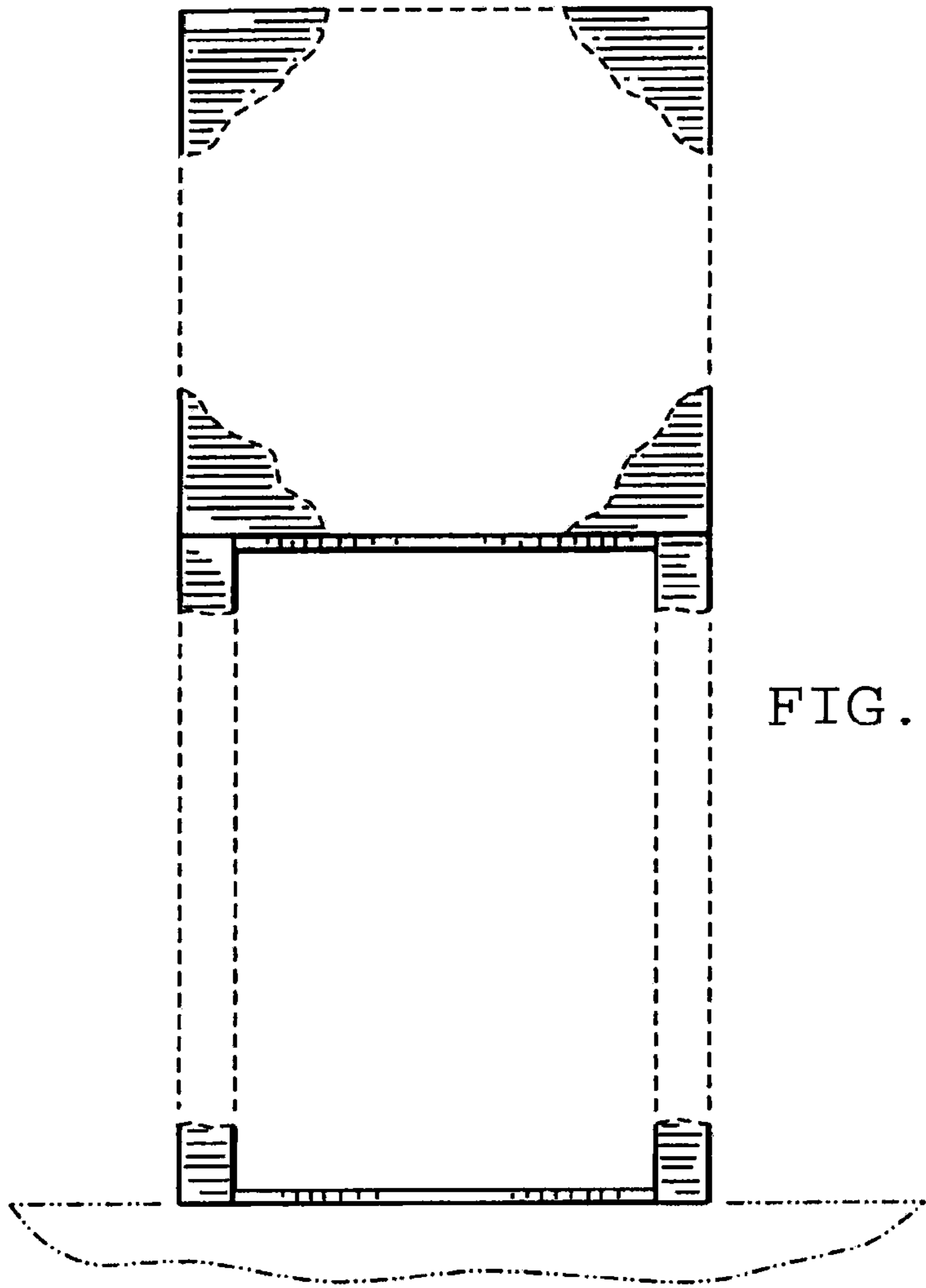


FIG. 2

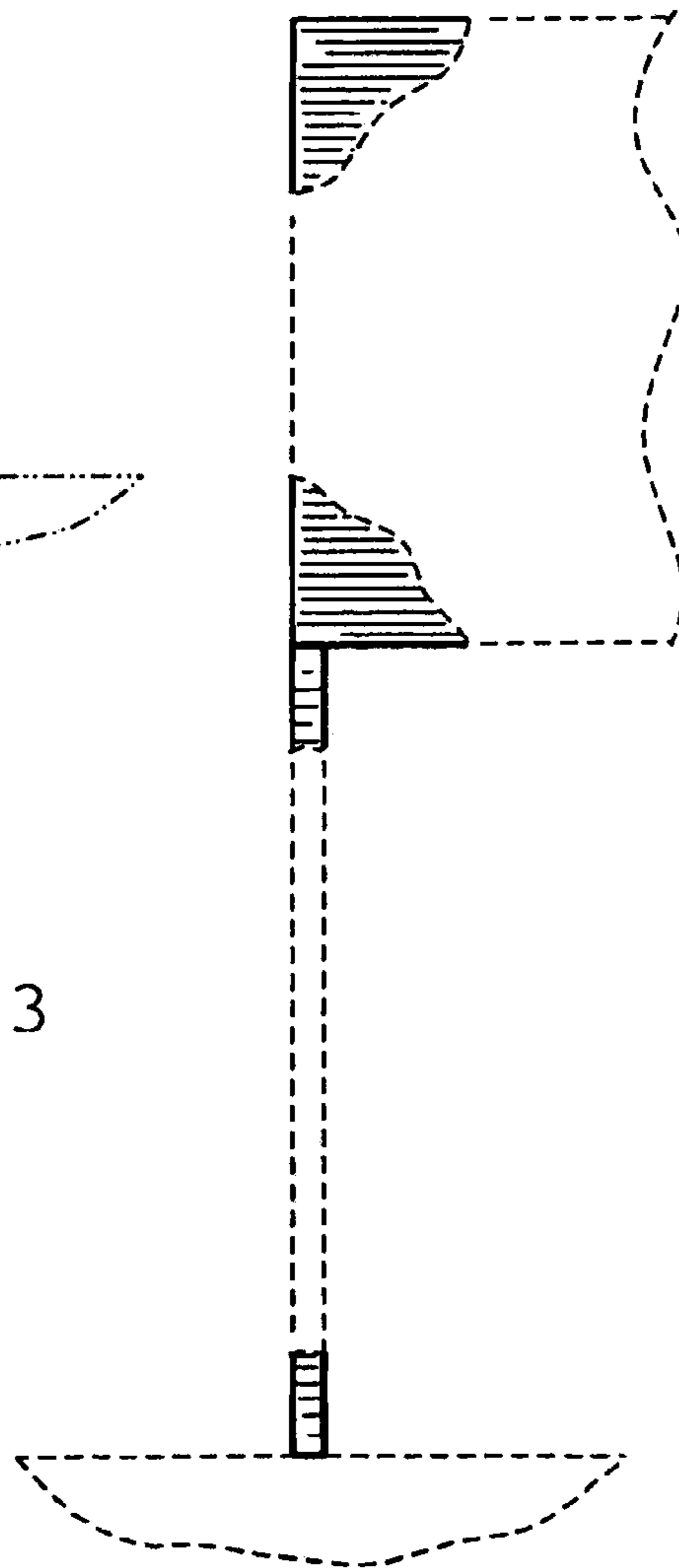


FIG. 3

FIG. 4

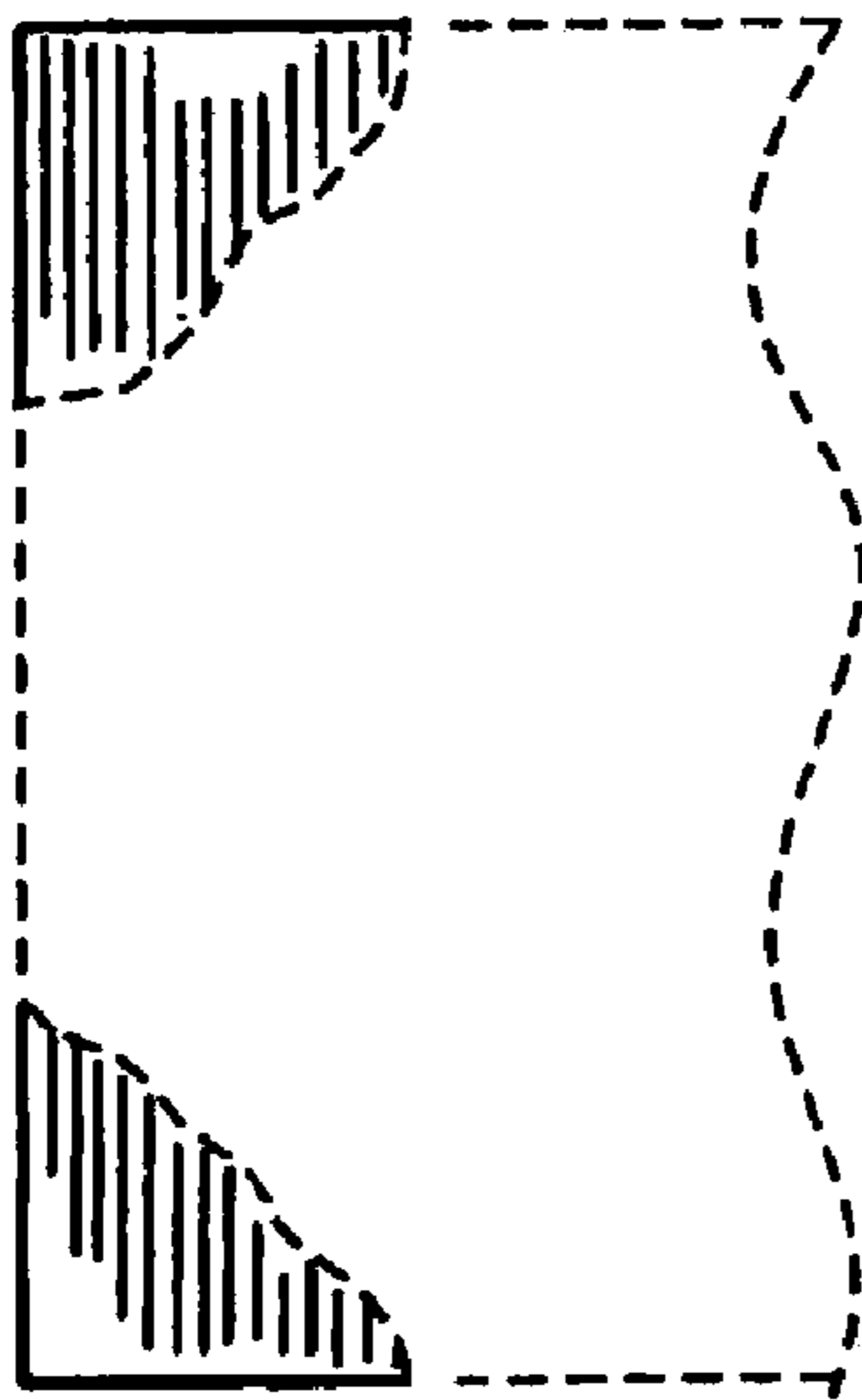


FIG. 5

