



US00D596879S

(12) **United States Design Patent**
Collette

(10) **Patent No.:** **US D596,879 S**
(45) **Date of Patent:** **** Jul. 28, 2009**

- (54) **TABLE**
- (75) **Inventor:** **Frederic Collette**, Frederiksberg C (DK)
- (73) **Assignee:** **Frederic Collette APS**, Frederiksberg C (DK)
- (**) **Term:** **14 Years**
- (21) **Appl. No.:** **29/318,745**
- (22) **Filed:** **May 27, 2008**

- (51) **LOC (9) Cl.** **06-03**
- (52) **U.S. Cl.** **D6/484**
- (58) **Field of Classification Search** D6/480-489,
D6/495-499, 439-431, 423, 477-479; 108/150,
108/153.1, 155, 156, 161, 115, 118, 131,
108/129, 132, 120; 248/188, 188.1, 188.8
See application file for complete search history.

(56) **References Cited**

U.S. PATENT DOCUMENTS

- 3,181,920 A * 5/1965 Burr 108/11
- D227,329 S * 6/1973 Grossman D6/485

- D346,704 S * 5/1994 Grosfillex D6/349
- D462,204 S * 9/2002 Ross D6/485
- D548,494 S * 8/2007 Mercs D6/485

* cited by examiner

Primary Examiner—Janice E Seeger

(74) *Attorney, Agent, or Firm*—Klein, O’Neill & Singh, LLP

(57) **CLAIM**

The ornamental design for a table, as shown and described.

DESCRIPTION

FIG. 1 is a front perspective view of a table, in accordance with my new design;

FIG. 2 is a front elevational view of the table of FIG. 1;

FIG. 3 is a rear elevational view of the table of FIG. 1;

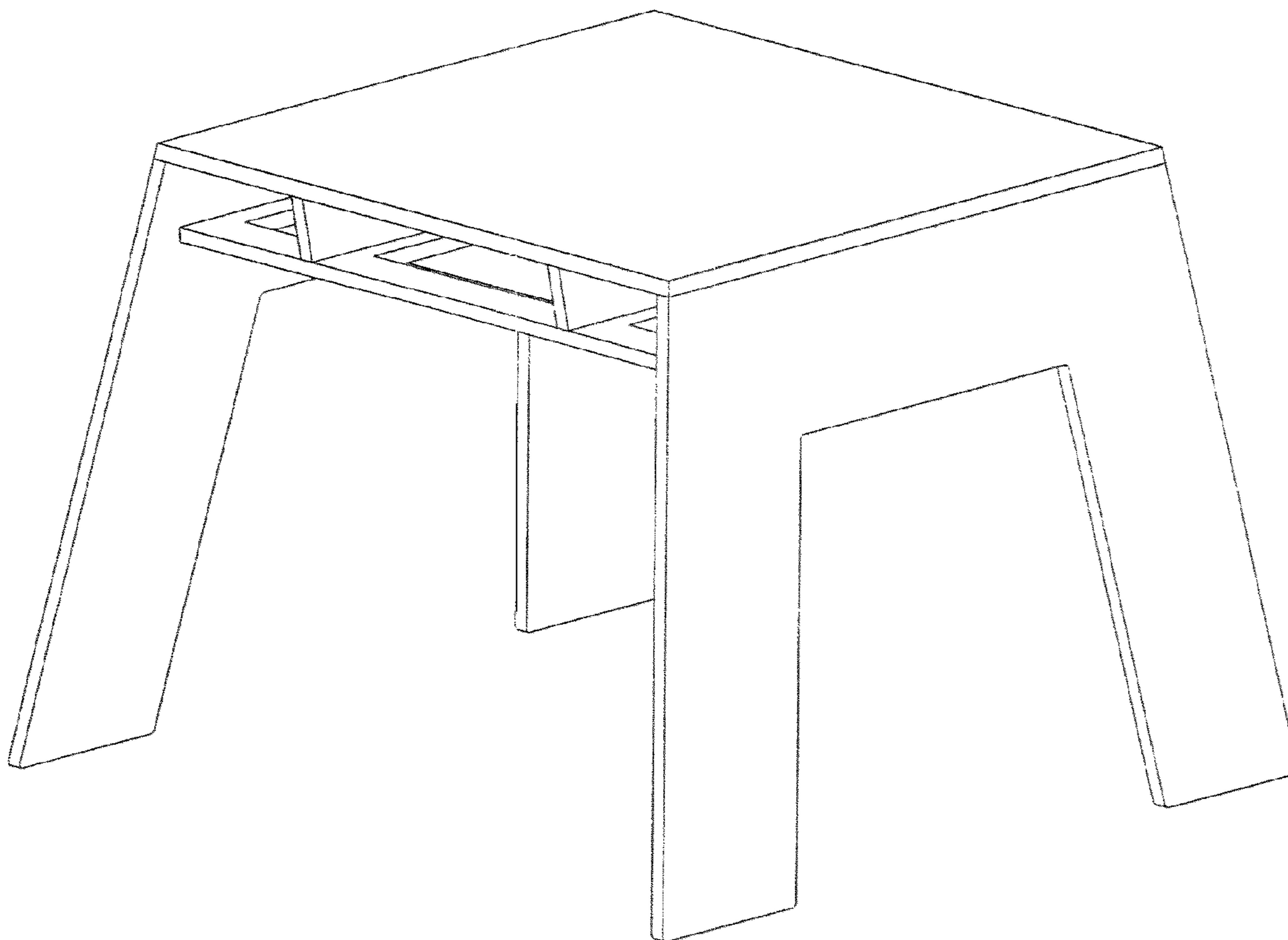
FIG. 4 is a left side elevational view of the table of FIG. 1;

FIG. 5 is a right side elevational view of the table of FIG. 1;

FIG. 6 is a top plan view of the table of FIG. 1; and,

FIG. 7 is a bottom plan view of the table of FIG. 1.

1 Claim, 7 Drawing Sheets



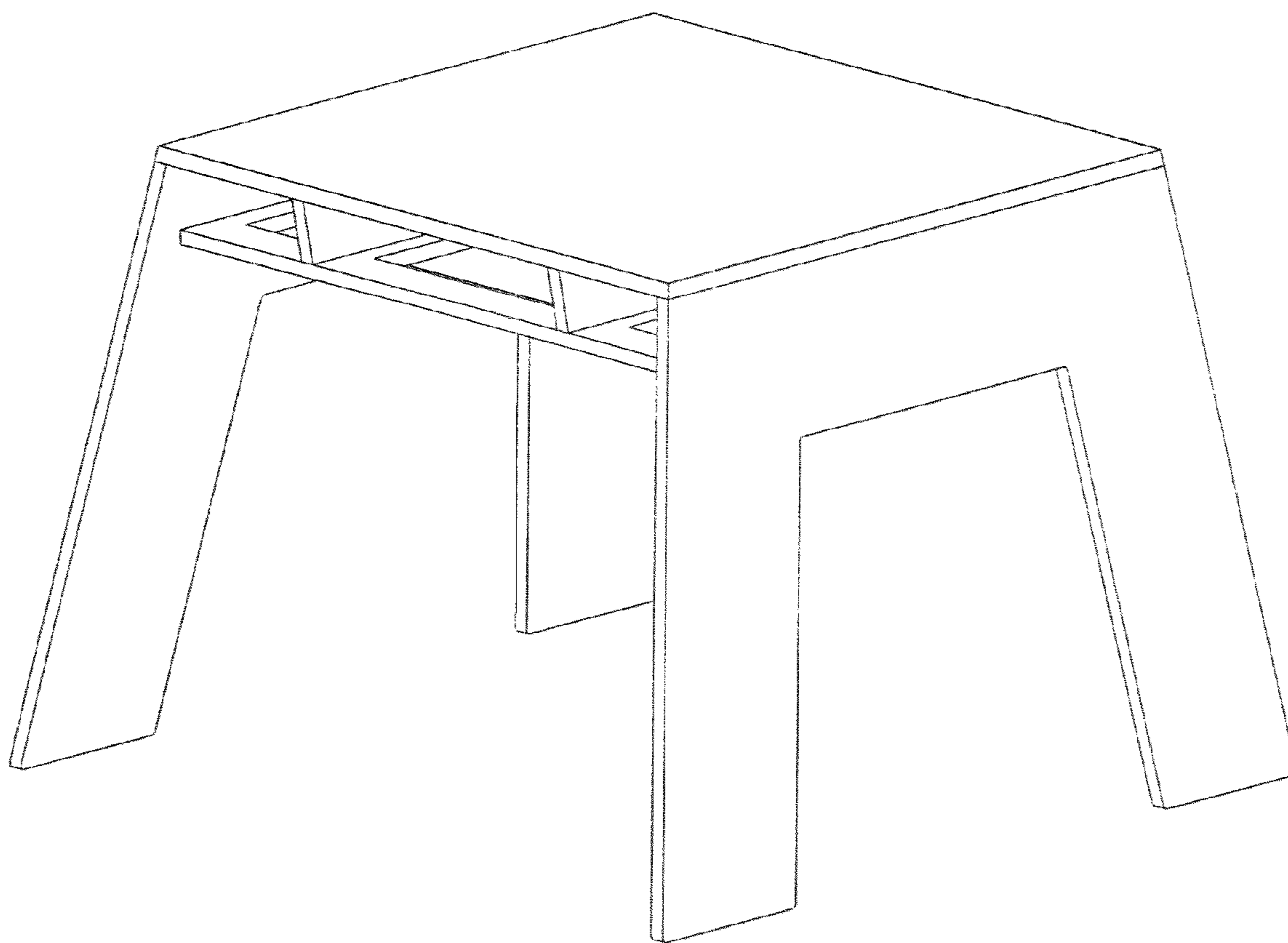


FIG. 1

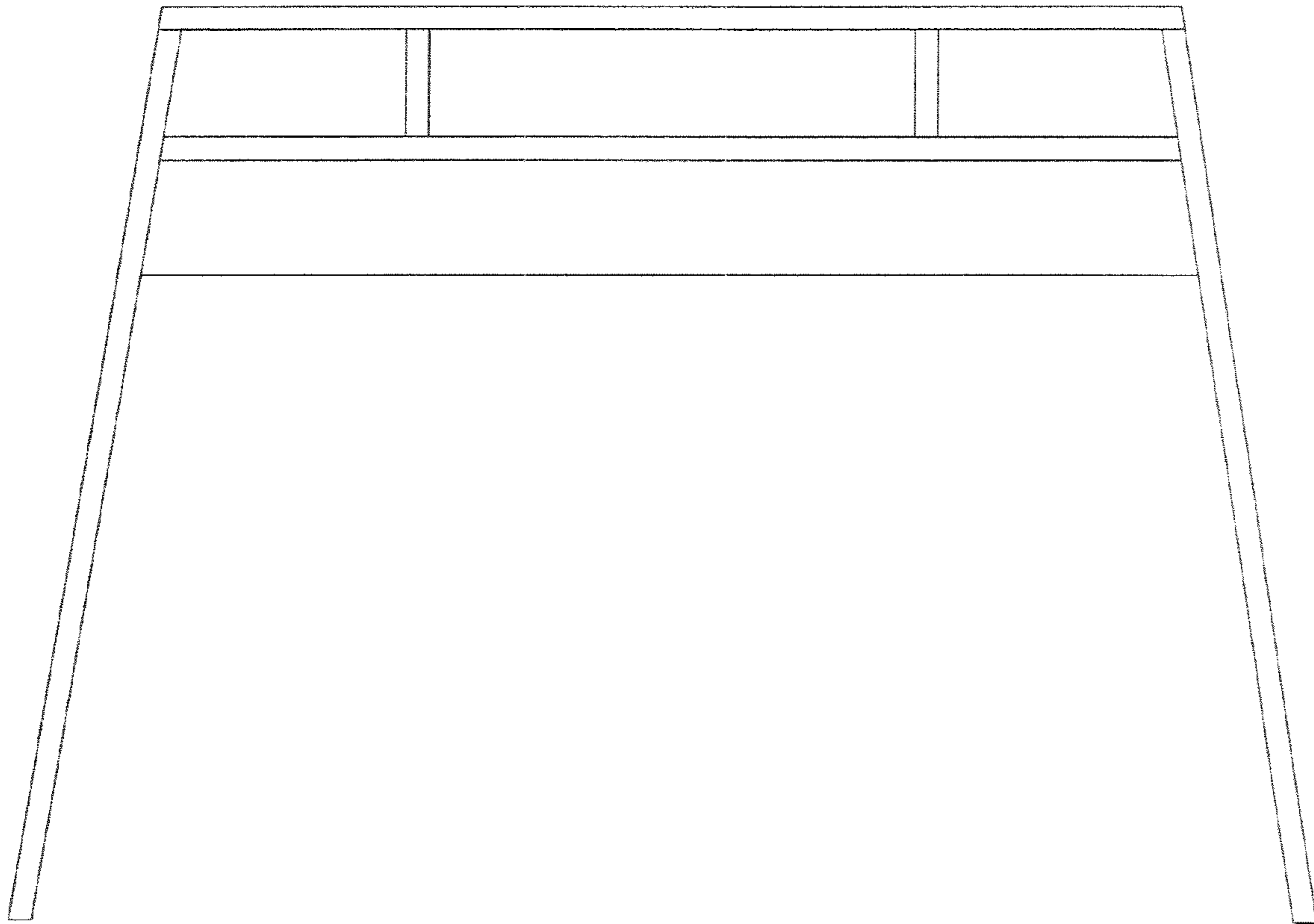


FIG. 2

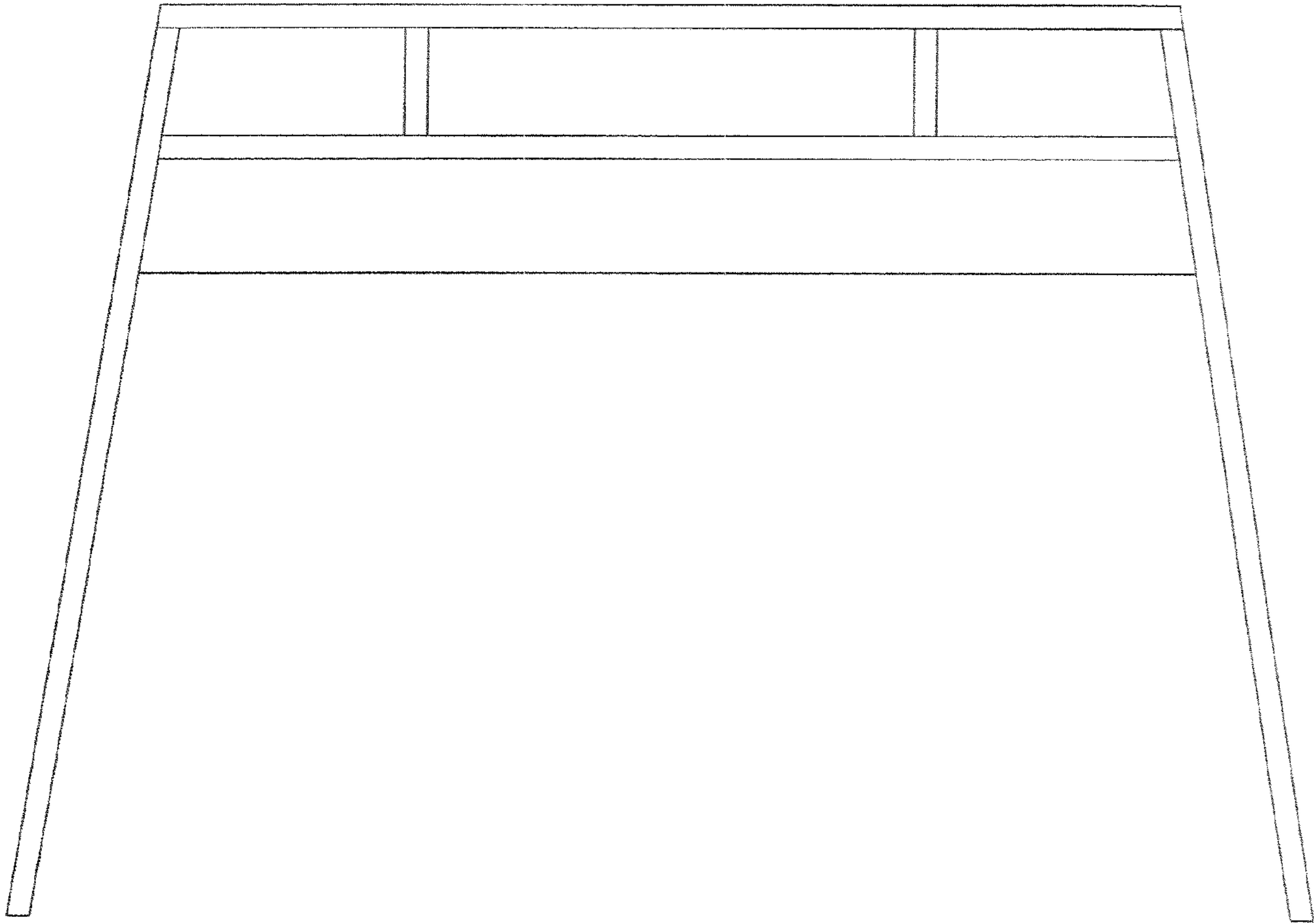


FIG. 3

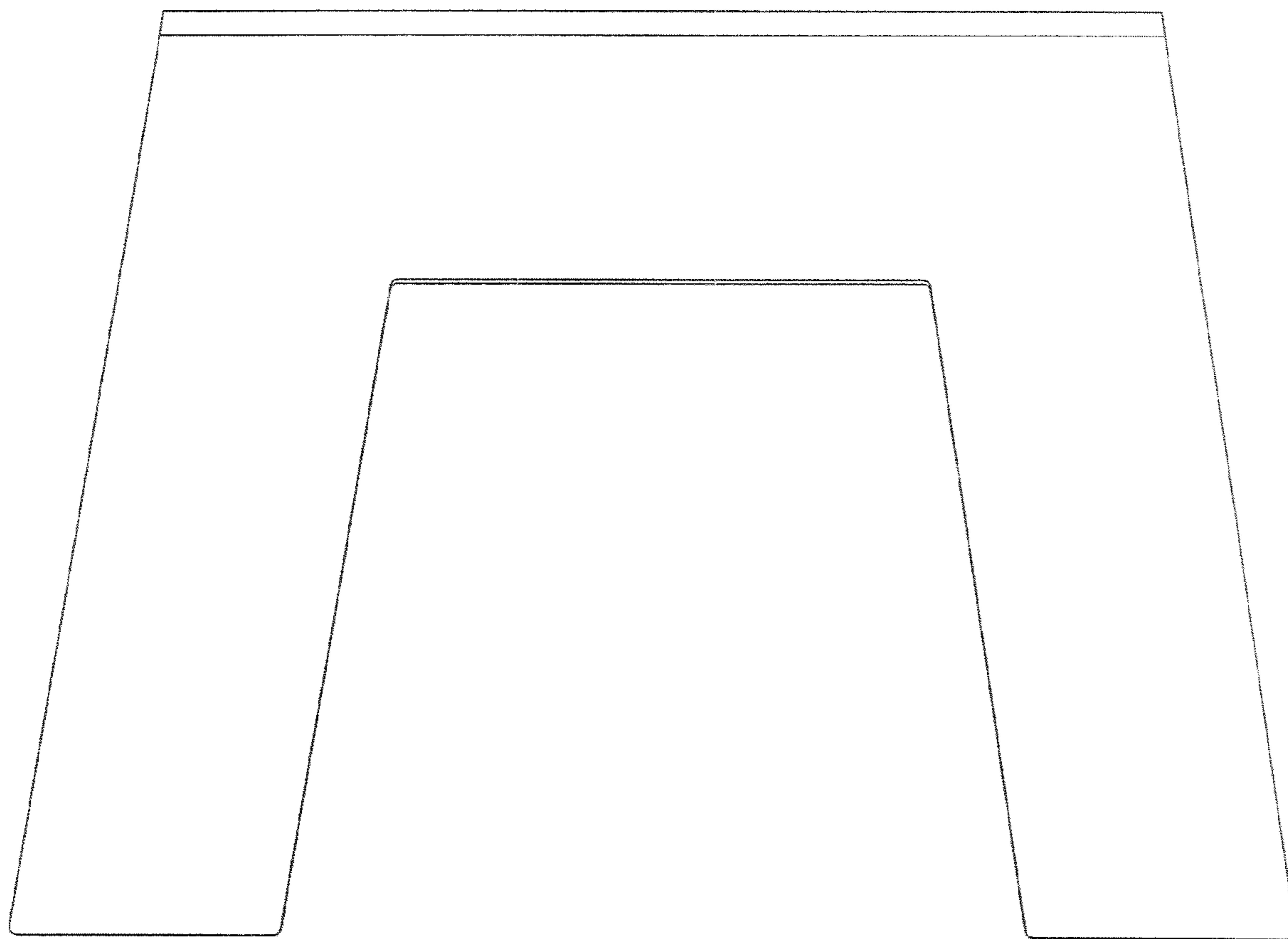


FIG. 4

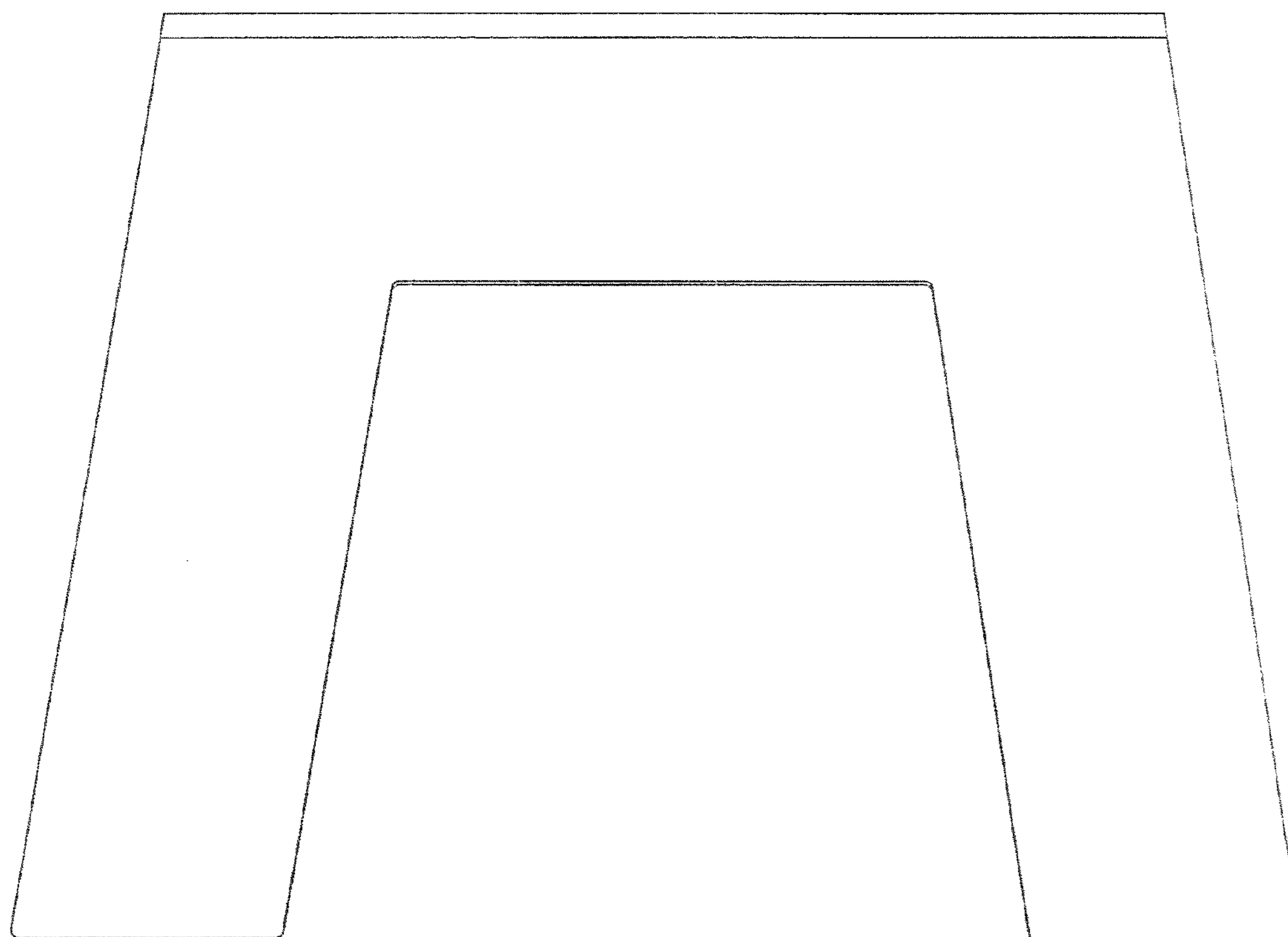


FIG. 5

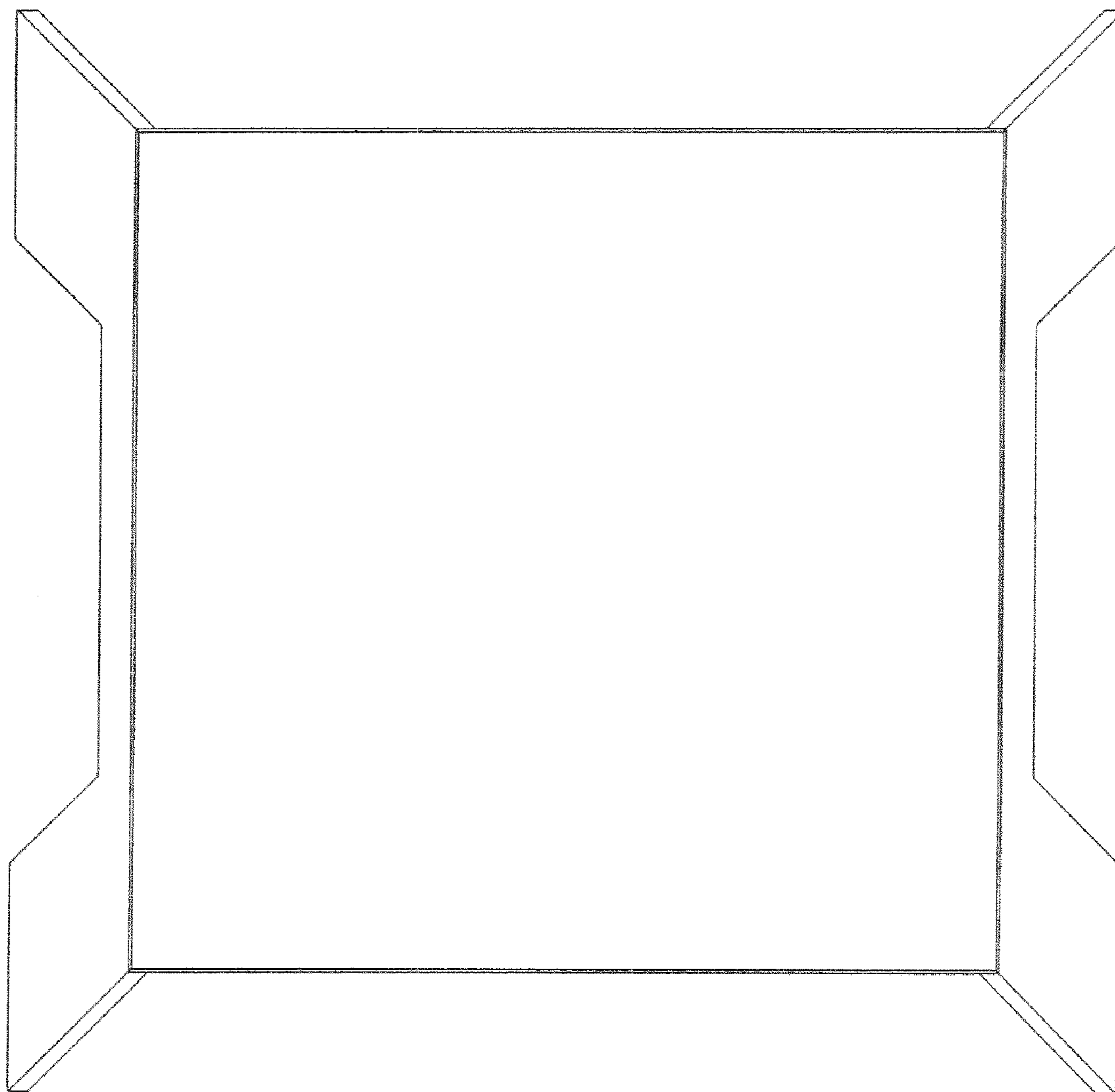


FIG. 6

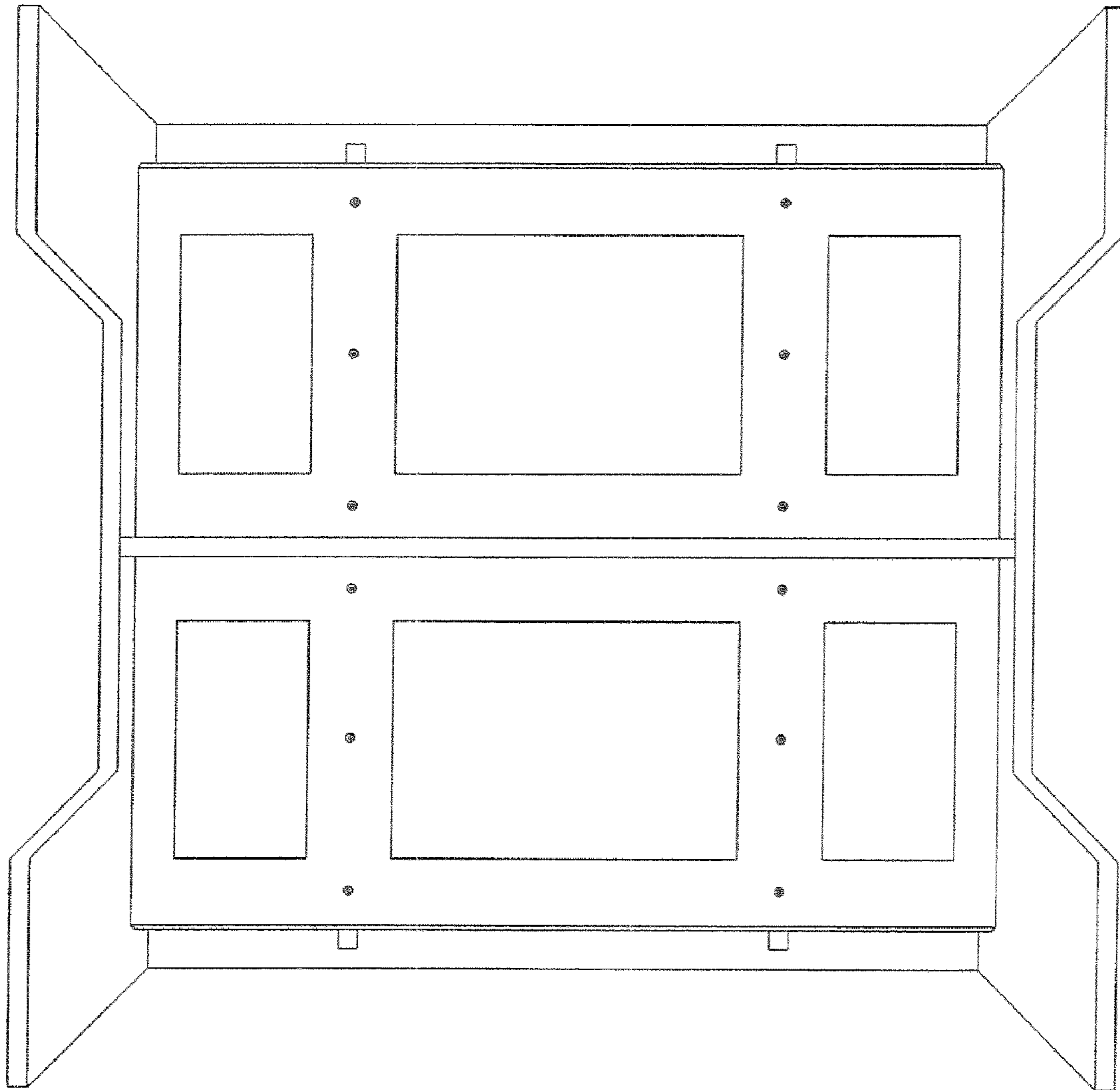


FIG. 7